



US00D463919S

(12) **United States Design Patent**
Lee

(10) **Patent No.:** **US D463,919 S**

(45) **Date of Patent:** **** Oct. 8, 2002**

(54) **PORTABLE TABLE**

4,653,804 A * 3/1987 Yoo et al. D6/337
D354,867 S * 1/1995 Lee D6/334

(76) Inventor: **Hae-Sup Lee**, 1490-22, Seocho-dong,
Seocho-ku, Seoul (KR)

* cited by examiner

(**) Term: **14 Years**

Primary Examiner—Doris V. Coles
Assistant Examiner—Elizabeth A. Albert
(74) *Attorney, Agent, or Firm*—Wenderoth, Lind & Ponack,
L.L.P.

(21) Appl. No.: **29/132,839**

(22) Filed: **Nov. 17, 2000**

(57) **CLAIM**

(30) **Foreign Application Priority Data**

The ornamental design for a portable table, as shown and described.

Jun. 28, 2000 (JP) 2000-017518

(51) **LOC (7) Cl.** **06-01**

DESCRIPTION

(52) **U.S. Cl.** **D6/337**

FIG. 1 is a front elevational view of a portable table according to the design of the present invention; FIG. 2 is a right side view of the portable table of FIG. 1; FIG. 3 is a top view of the portable table of FIG. 1; FIG. 4 is a bottom view of the portable table of FIG. 1; and, FIG. 5 is a perspective view of the portable table in use. The left side view is similar to the right side view.

(58) **Field of Search** D6/335, 336, 337,
D6/338, 342, 429; 312/235.9; 297/135

(56) **References Cited**

U.S. PATENT DOCUMENTS

2,521,160 A * 9/1950 Green 248/398
2,991,829 A * 7/1961 Post D6/337

1 Claim, 3 Drawing Sheets

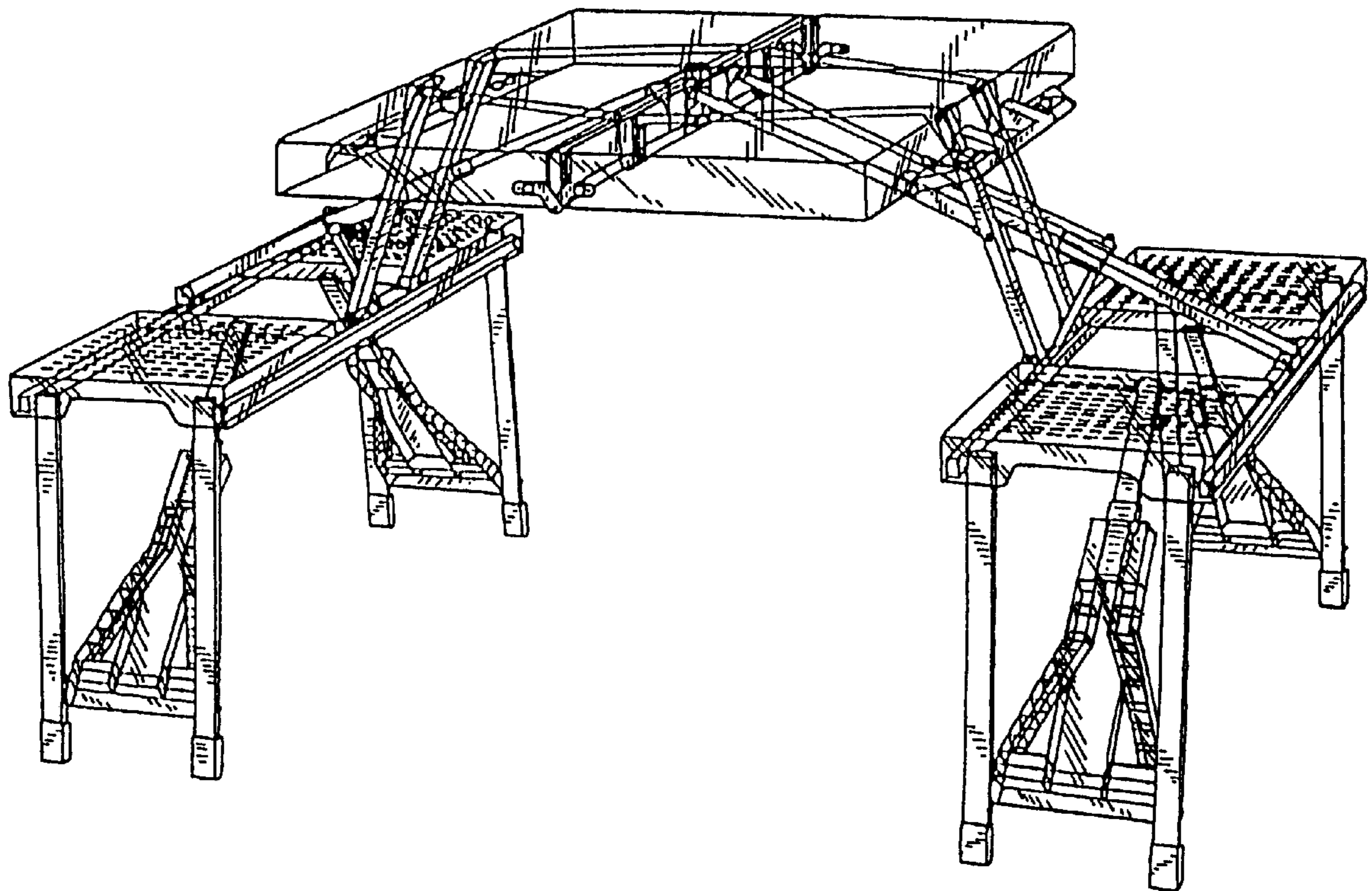


Fig.1

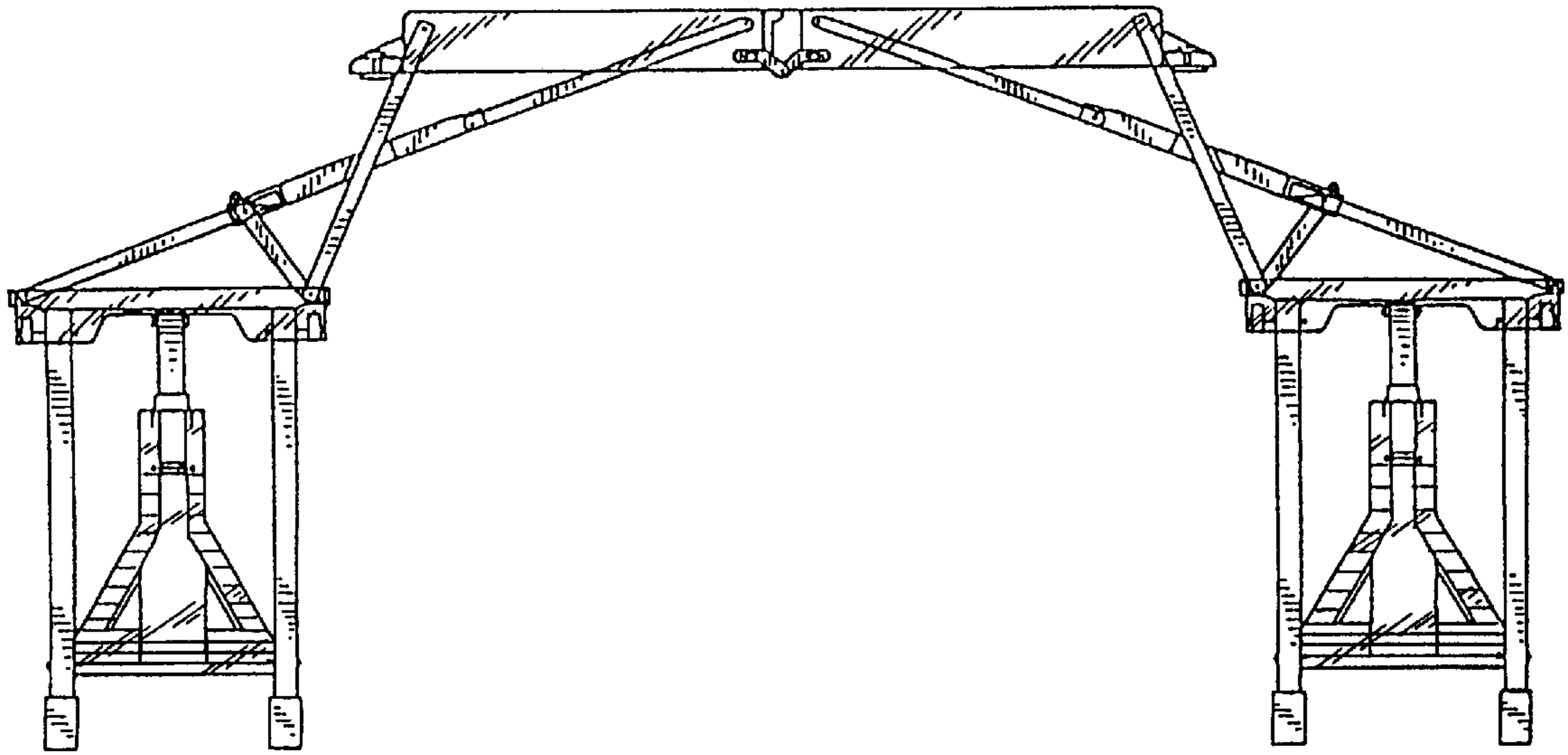


Fig.2

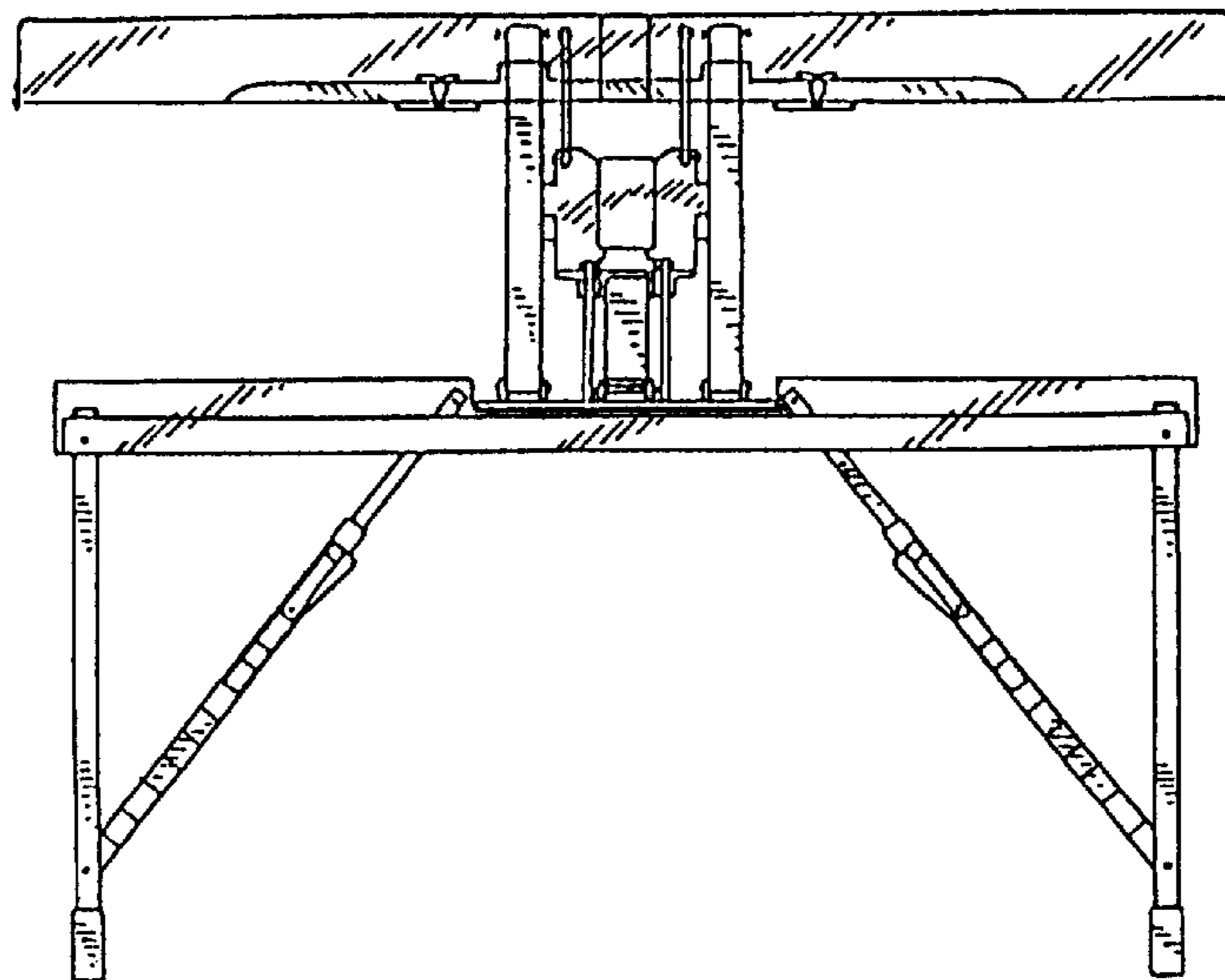


Fig. 3

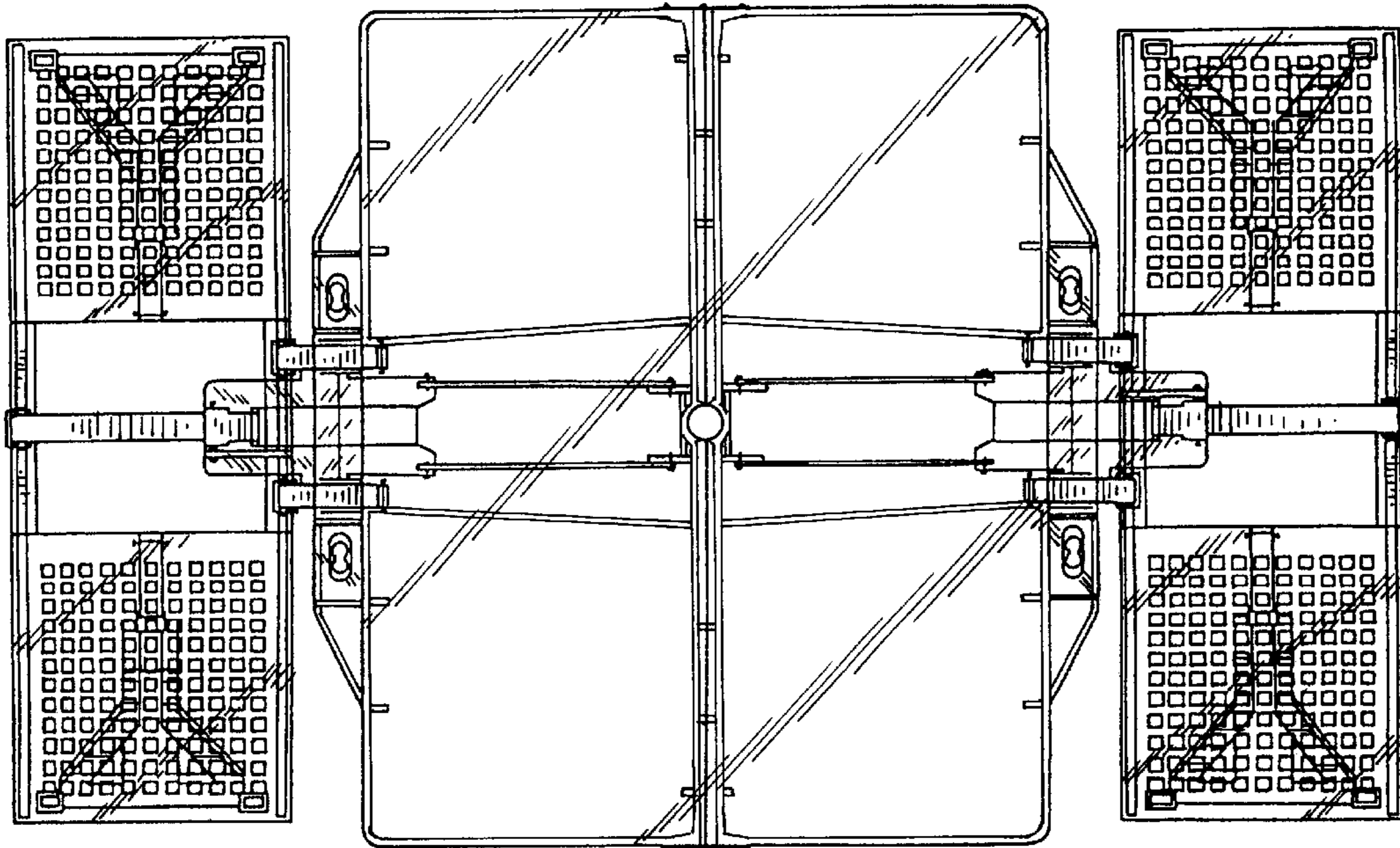


Fig. 4

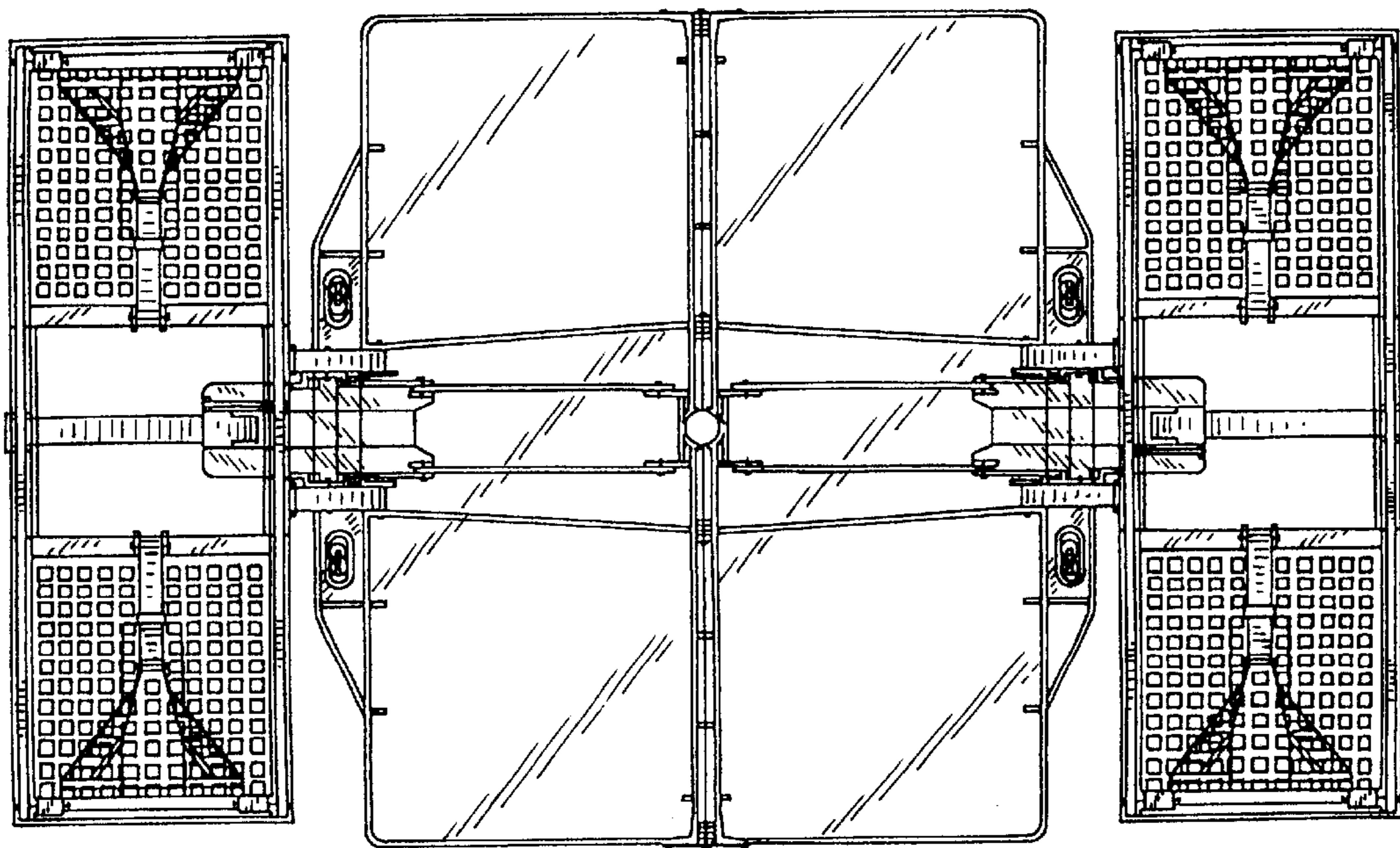


Fig.5

