



US00D463918S

(12) **United States Design Patent**
Goldman et al.

(10) **Patent No.:** **US D463,918 S**

(45) **Date of Patent:** **** Oct. 8, 2002**

(54) **GARMENT HANGER**

(75) Inventors: **Allan Joel Goldman**, Wayne, NJ (US);
Scott L. Sullivan, Chappaqua, NY (US)

(73) Assignee: **Uniplast Industries, Inc.**, Hasbrouck Heights, NJ (US)

(*) Notice: This patent is subject to a terminal disclaimer.

(**) Term: **14 Years**

(21) Appl. No.: **29/127,519**

(22) Filed: **Aug. 8, 2000**

(51) **LOC (7) Cl.** **06-08**

(52) **U.S. Cl.** **D6/328; D6/326**

(58) **Field of Search** **D6/318, 326, 328;**
211/113; 223/85, 90, 91, 93, 96

(56) **References Cited**

U.S. PATENT DOCUMENTS

- D423,235 S * 4/2000 Bond et al.
- D433,822 S * 11/2000 Sullivan
- D435,173 S * 12/2000 Morgan et al.
- D439,419 S * 3/2001 Zuckerman

* cited by examiner

Primary Examiner—B. J. Bullock

(74) *Attorney, Agent, or Firm*—Darby & Darby

(57) **CLAIM**

The ornamental design for a garment hanger, as shown and described.

DESCRIPTION

FIG. 1 is a perspective view of a garment hanger showing my new design;

FIG. 2 is a front view of the garment hanger shown in FIG. 1;

FIG. 3 is a right side view of the garment hanger shown in FIG. 1;

FIG. 4 is a rear view of the garment hanger shown in FIG. 1;

FIG. 5 is a left side view of the garment hanger shown in FIG. 1;

FIG. 6 is a bottom view of the garment hanger shown in FIG. 1; and,

FIG. 7 is a top view of the garment hanger shown in FIG. 1.

The broken lines are for illustrative purposes only and form no part of the claimed design.

The broken-away portions of the claimed design indicate indeterminate length of a cross bar member.

1 Claim, 5 Drawing Sheets

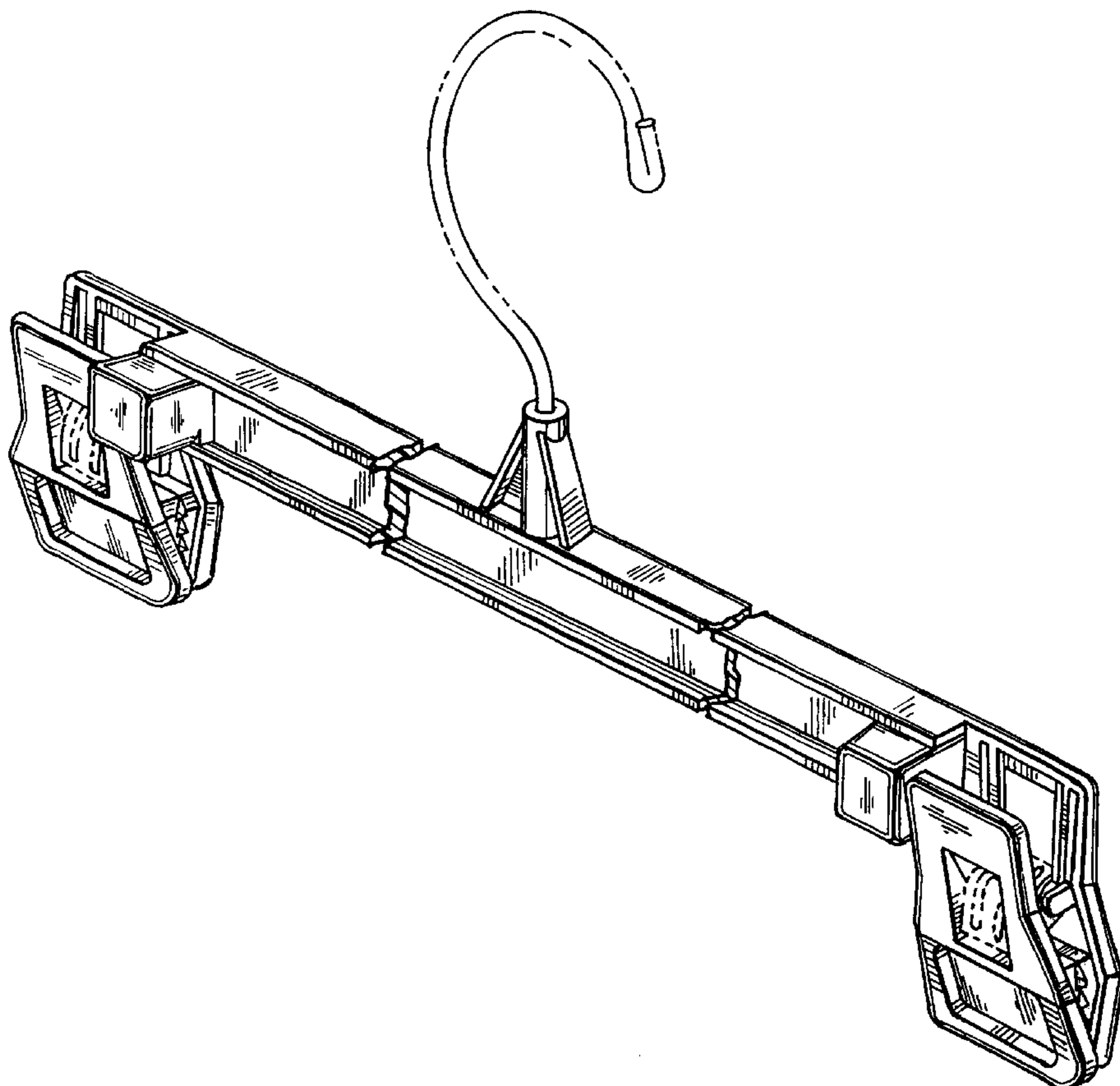


FIG. 1

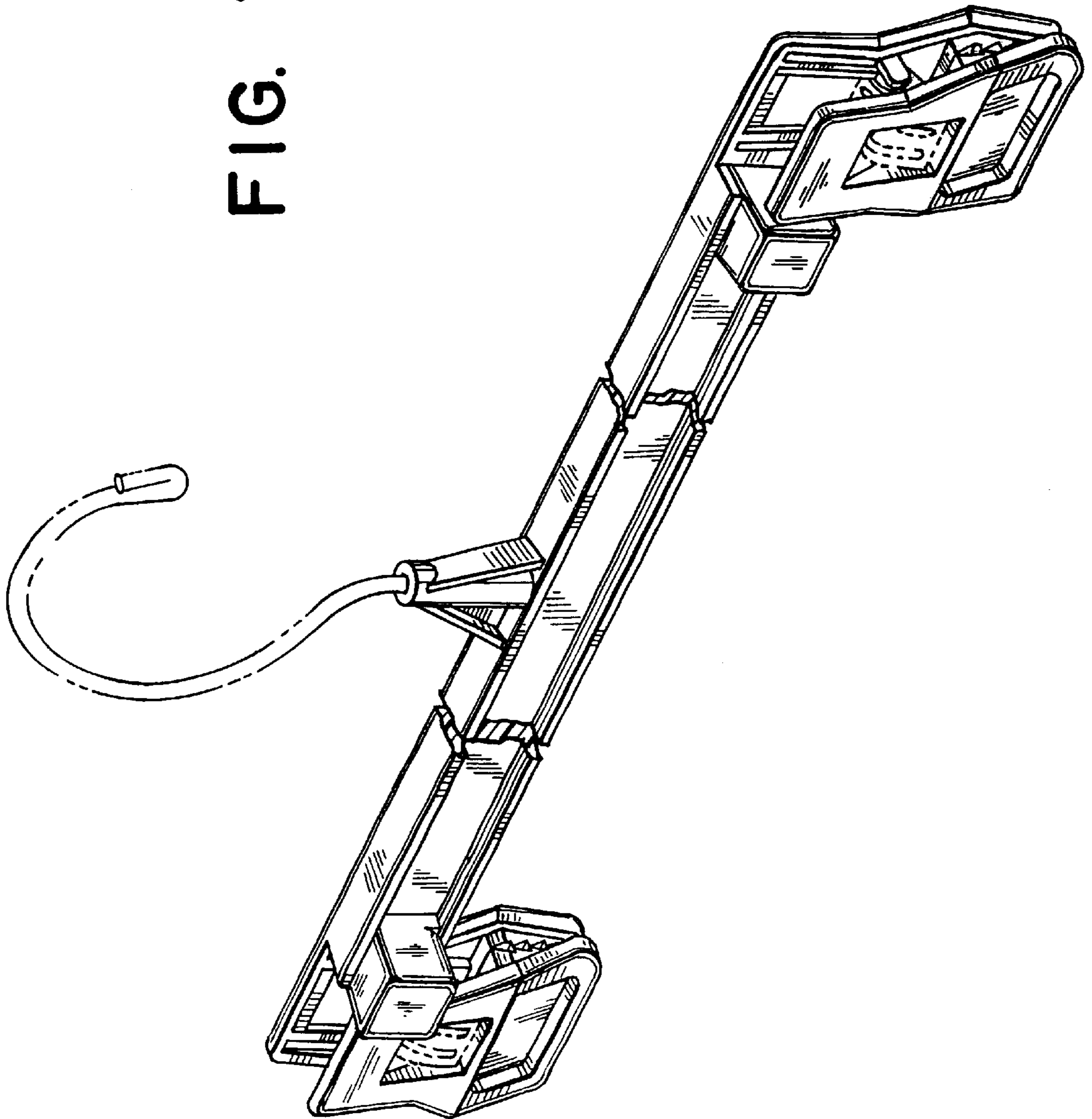
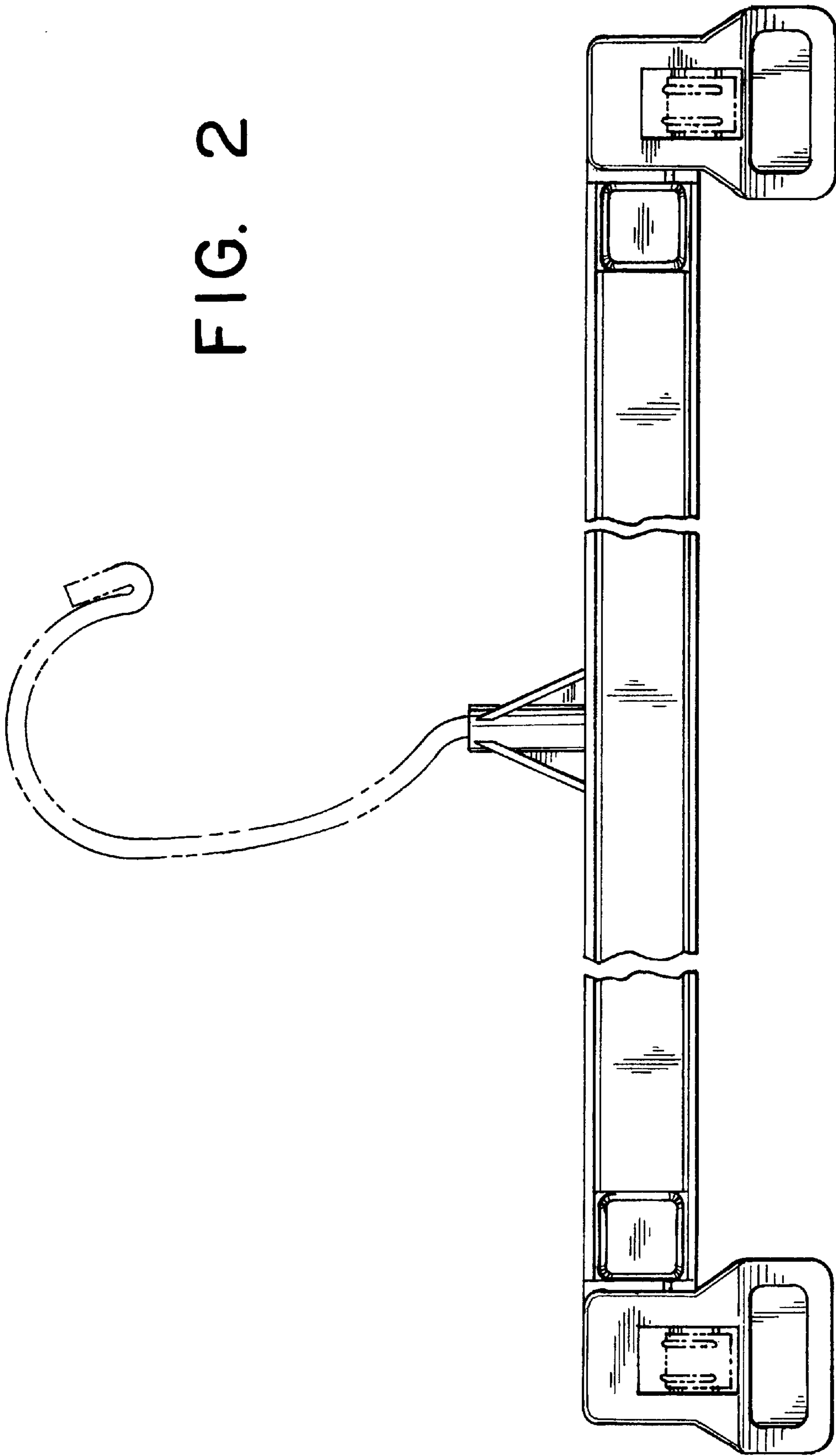


FIG. 2



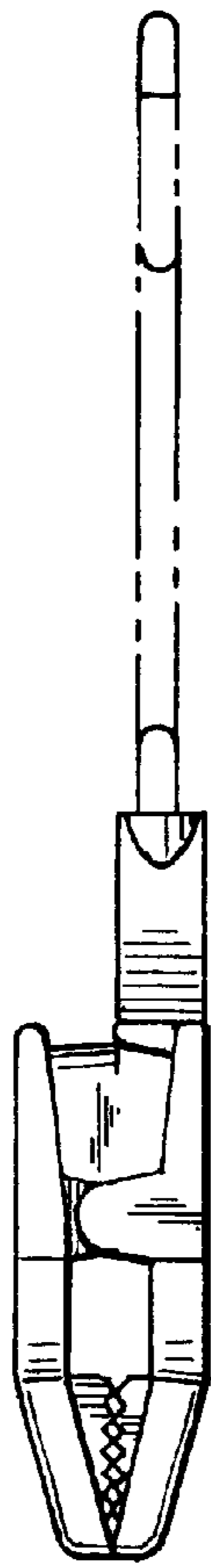


FIG. 3

FIG. 5

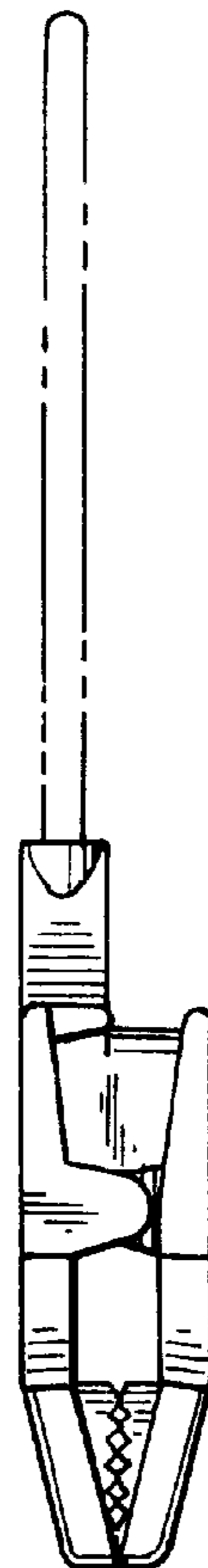


FIG. 4

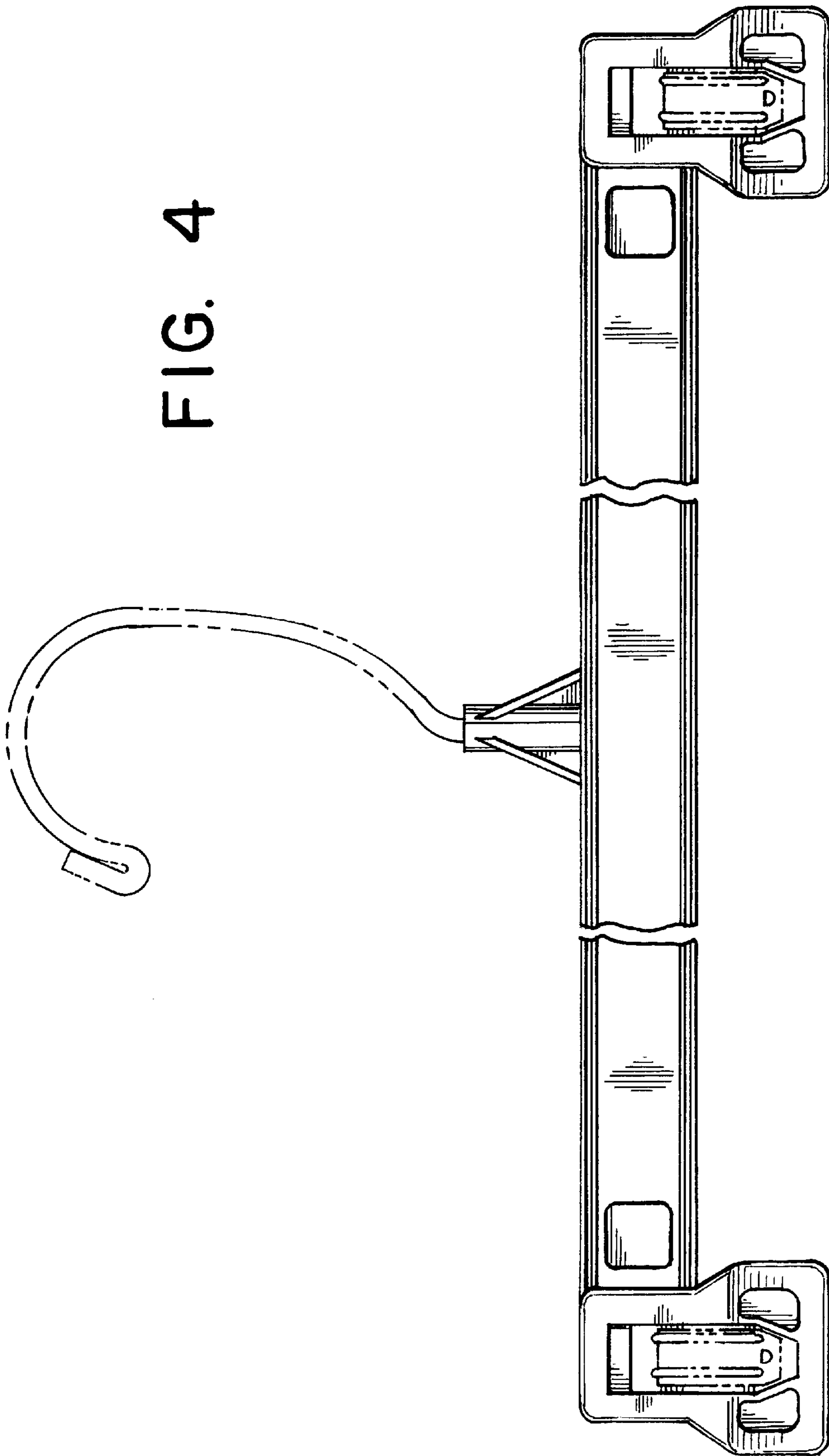


FIG. 6



FIG. 7

