



US00D463911S

(12) **United States Design Patent**  
**Chen**

(10) **Patent No.:** **US D463,911 S**

(45) **Date of Patent:** **\*\* Oct. 8, 2002**

(54) **TOOL BOX**

(76) **Inventor:** **Kun-Chen Chen**, No. 6, Lane 609,  
Sec. 1, Chung-Shan Rd., Ye-Her Li,  
Tachia Chen, Taichung Hsien (TW)

(\*\*) **Term:** **14 Years**

(21) **Appl. No.:** **29/150,206**

(22) **Filed:** **Nov. 14, 2001**

(51) **LOC (7) Cl.** ..... **03-01**

(52) **U.S. Cl.** ..... **D3/282; D3/284; D3/295**

(58) **Field of Search** ..... **D3/273, 276, 281,**  
**D3/282, 284, 295, 290; 206/372, 373, 349;**  
**190/100, 110, 111, 112**

(56) **References Cited**

**U.S. PATENT DOCUMENTS**

D347,731 S	*	6/1994	Hayakawa et al.	.....	D3/282
D362,546 S	*	9/1995	Mundorf et al.	.....	D3/273
D367,557 S	*	3/1996	Chang	.....	D3/276
D368,159 S	*	3/1996	Calmeise et al.	.....	D3/282
D379,715 S	*	6/1997	Yemini	.....	D3/282

D382,115 S	*	8/1997	Chang	.....	D3/282
D399,652 S	*	10/1998	Fang	.....	D3/276
D412,061 S	*	7/1999	Yemini	.....	D3/282
D412,397 S	*	8/1999	Liu	.....	D3/276
D440,043 S	*	4/2001	Miller et al.	.....	D3/282

\* cited by examiner

*Primary Examiner*—Philip S. Hyder

(74) *Attorney, Agent, or Firm*—Bacon & Thomas, PLLC

(57) **CLAIM**

The ornamental design for a tool box, as shown and described.

**DESCRIPTION**

FIG. 1 is a perspective view of a tool box showing my new design;

FIG. 2 is a front elevational view thereof;

FIG. 3 is a rear elevational view thereof;

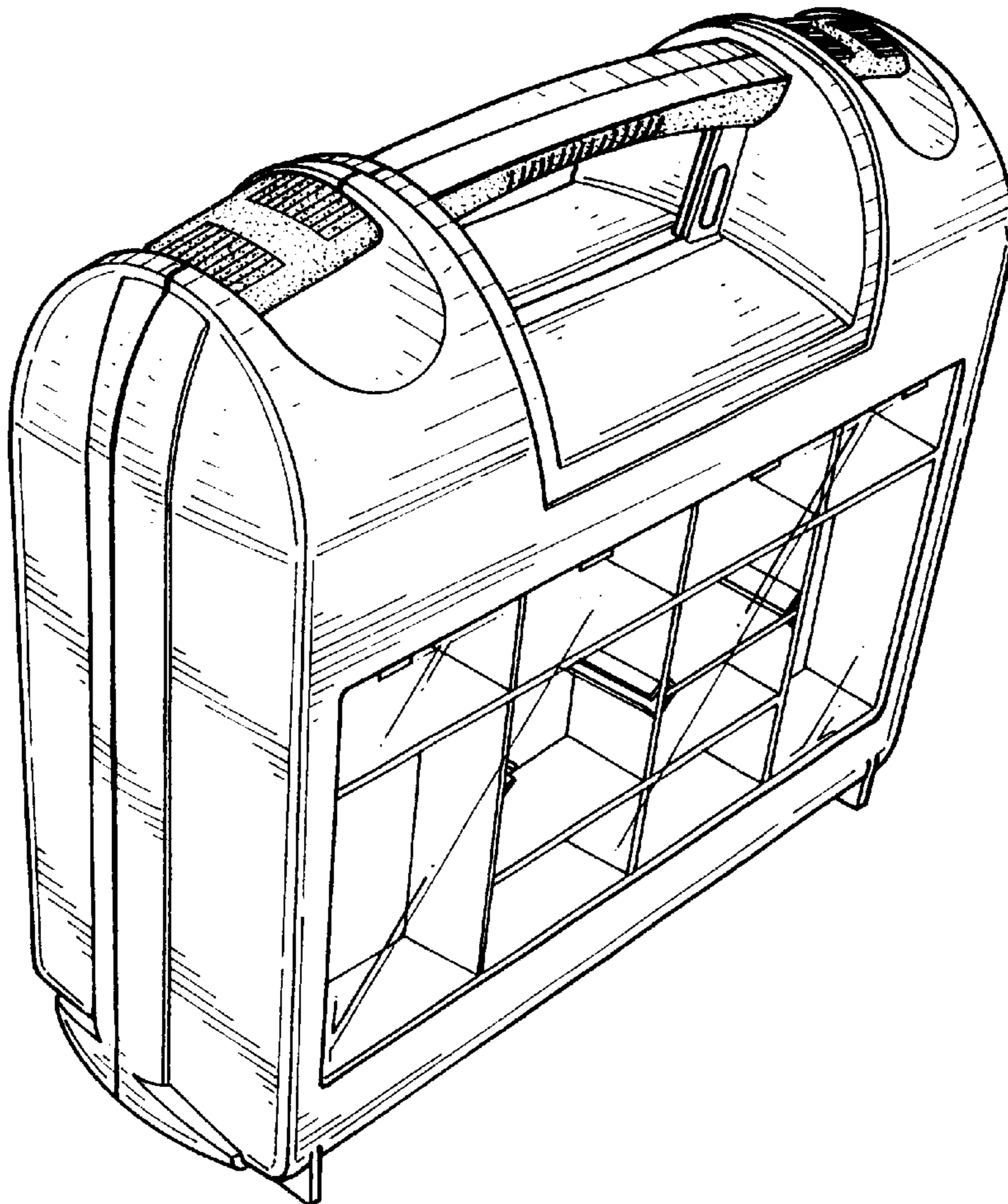
FIG. 4 is a left side view thereof;

FIG. 5 is a right side view thereof;

FIG. 6 is a top plain view thereof; and,

FIG. 7 is a bottom plain view thereof.

**1 Claim, 5 Drawing Sheets**



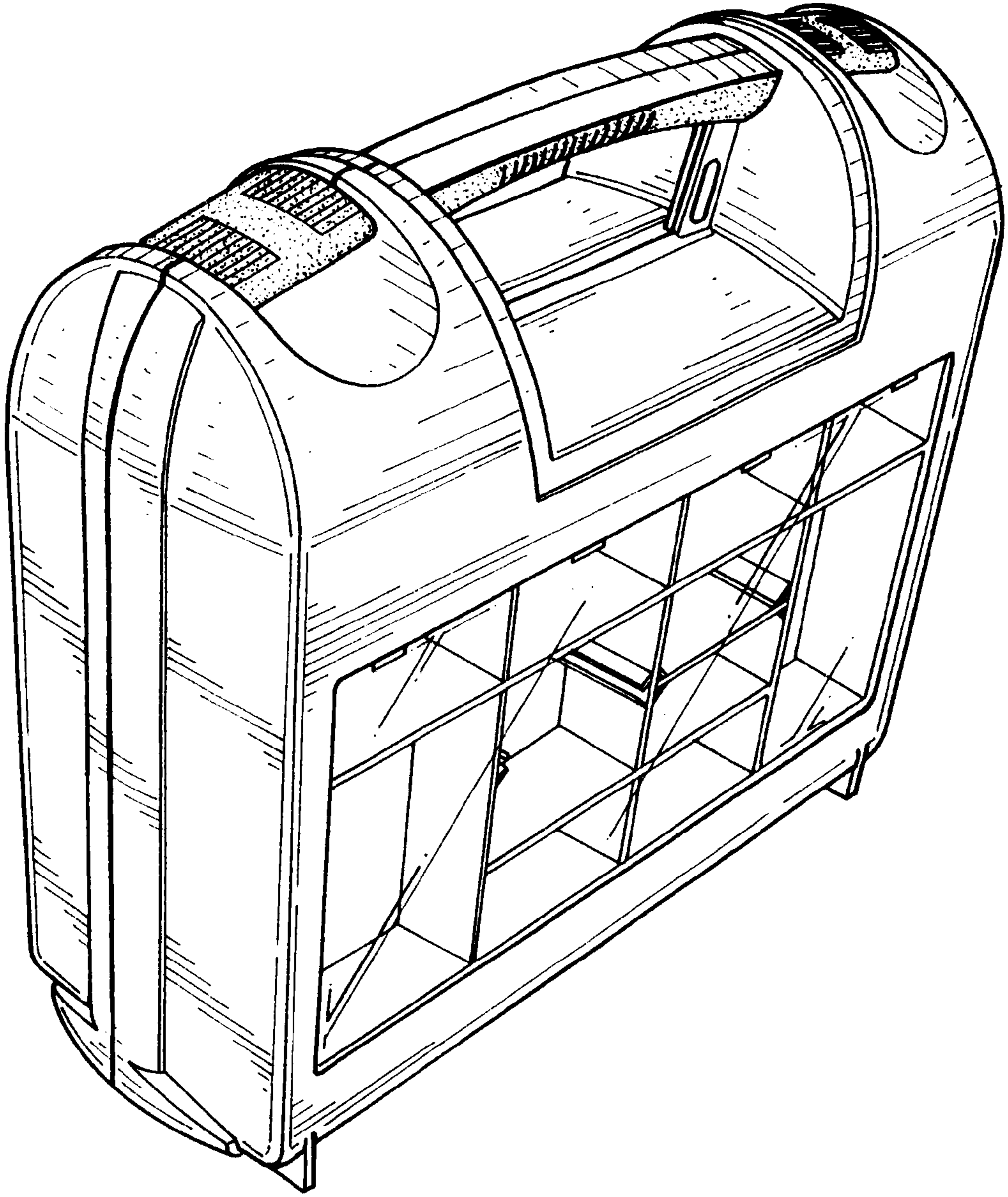


FIG. 1

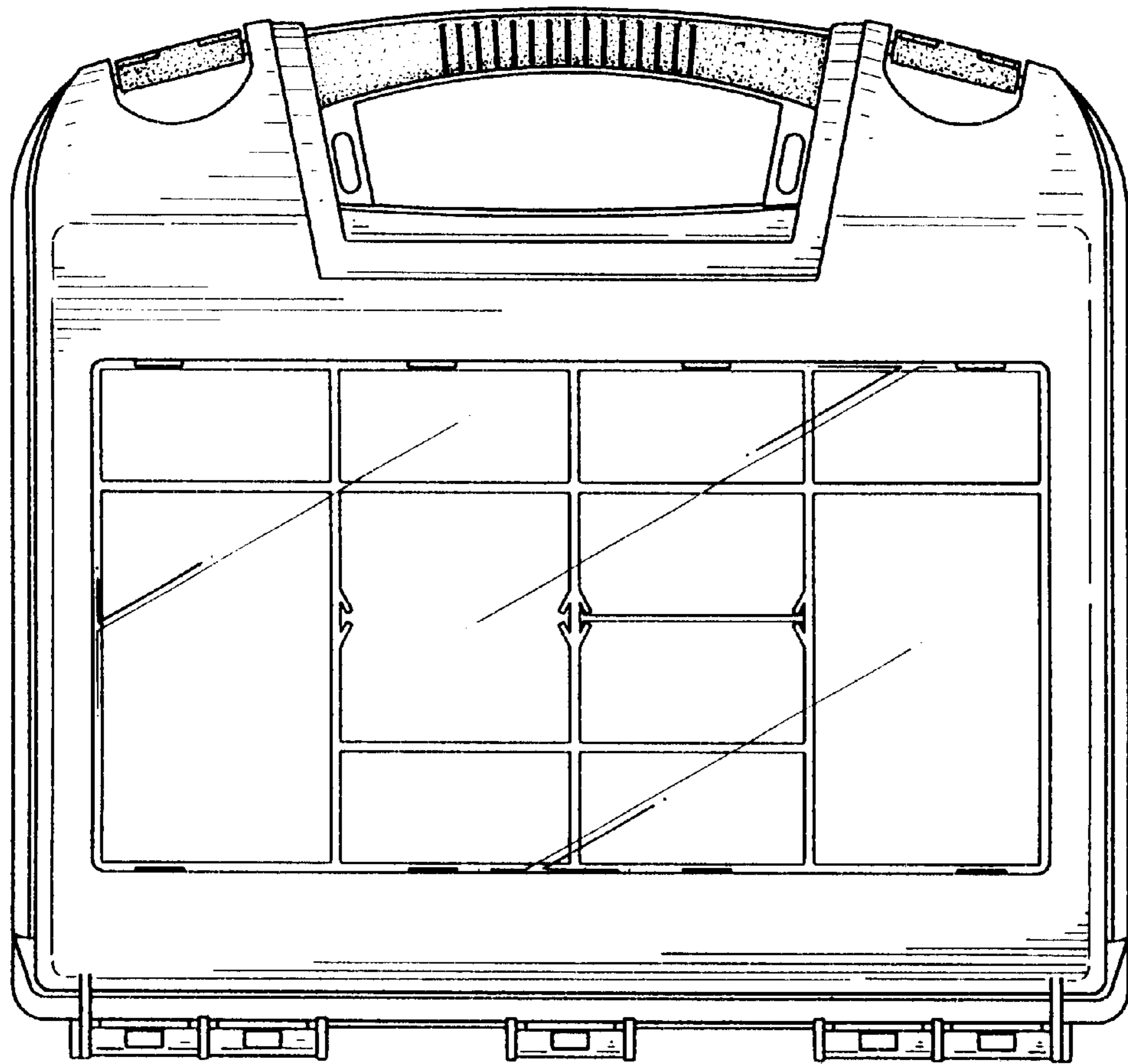


FIG. 2

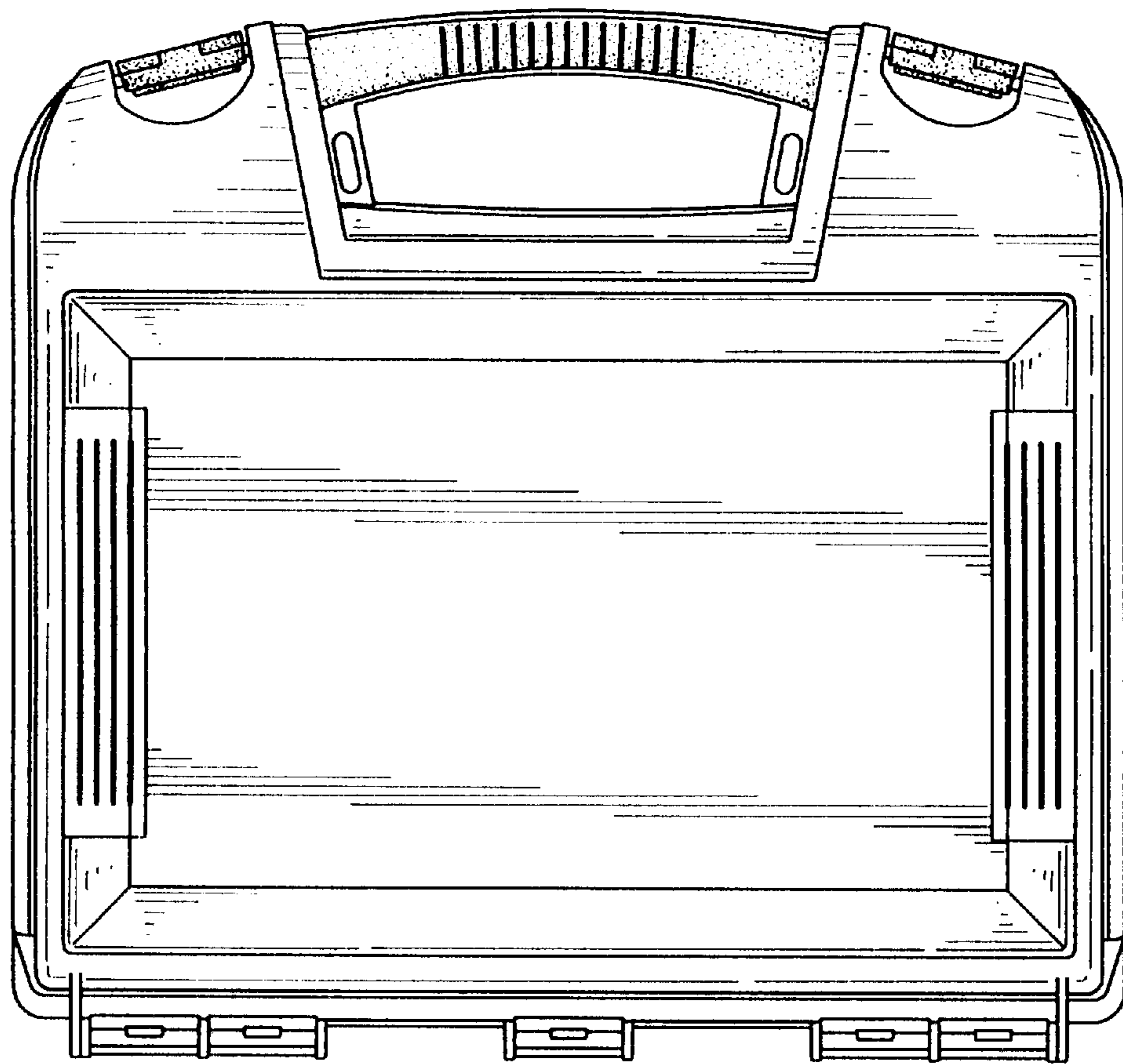


FIG. 3

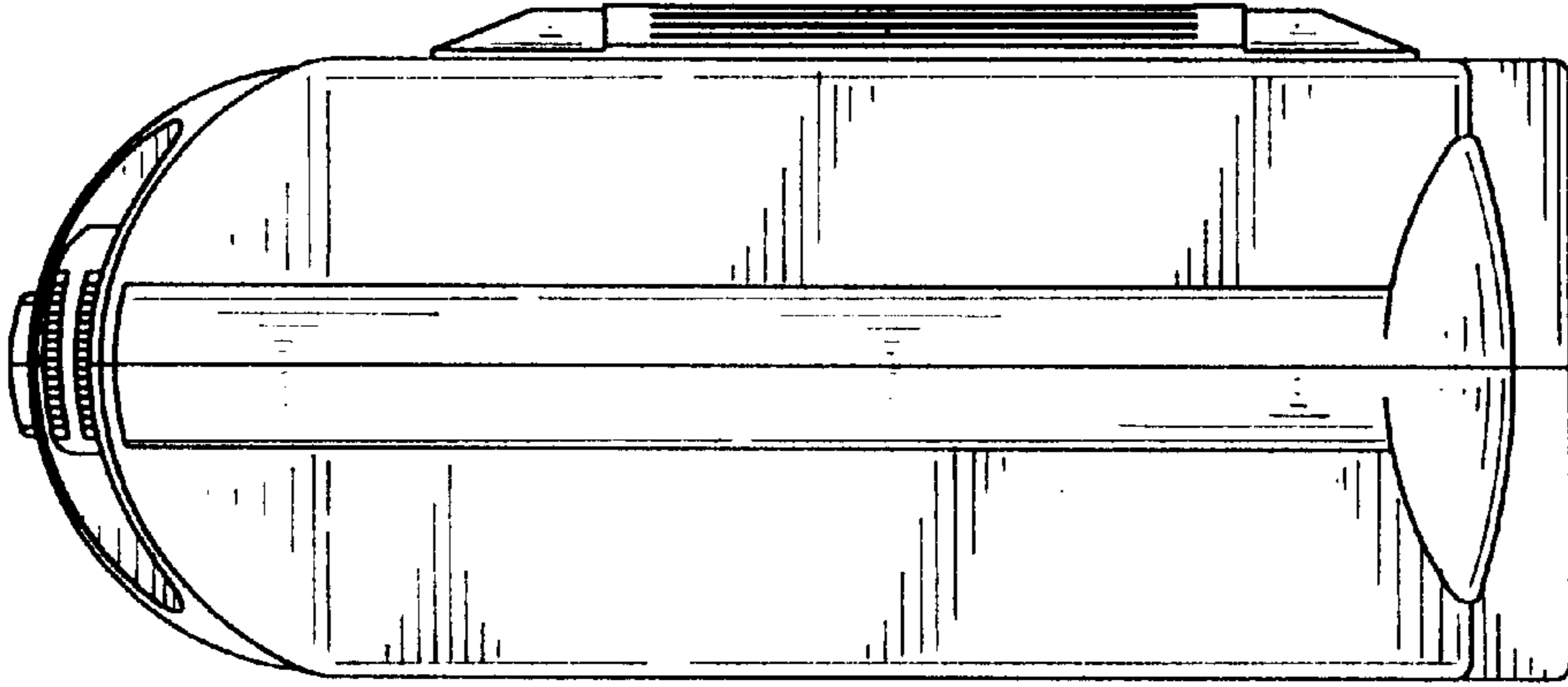


FIG. 5

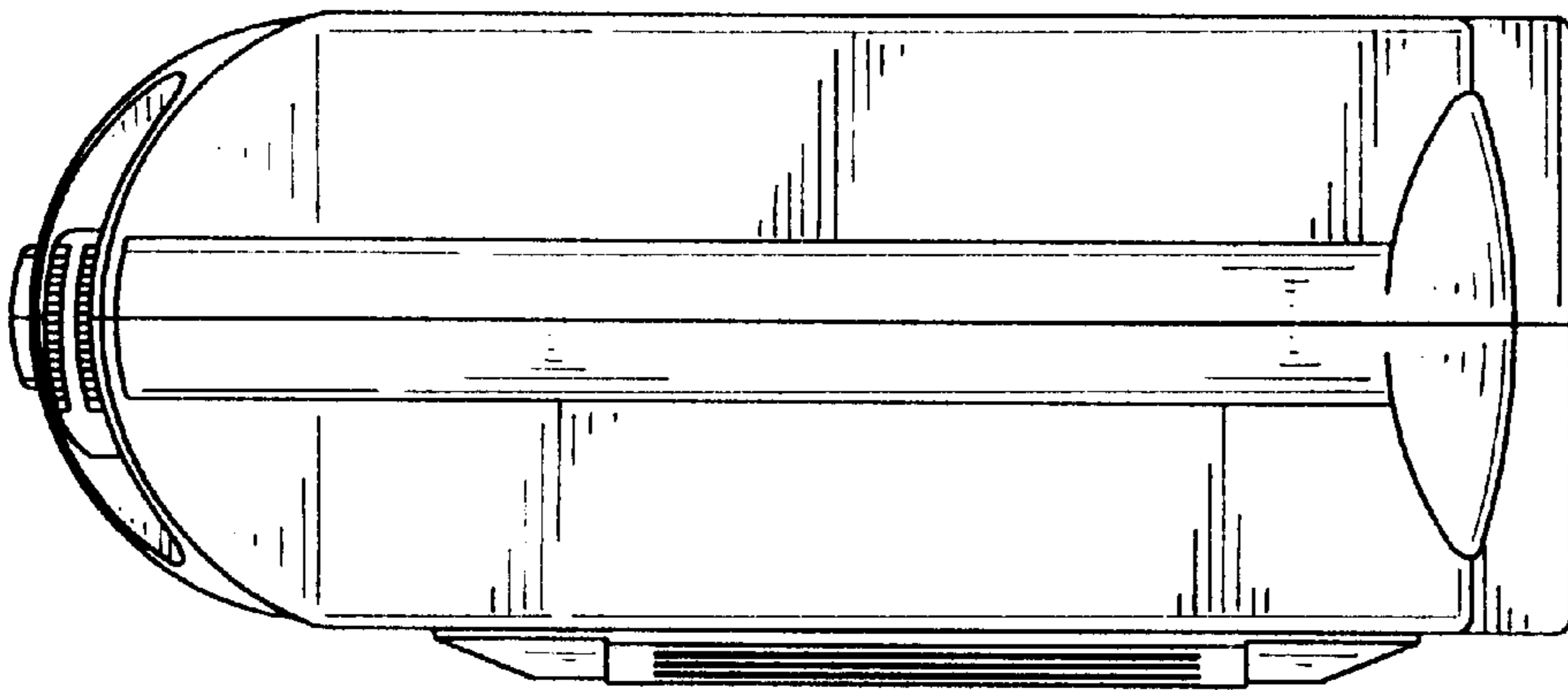


FIG. 4

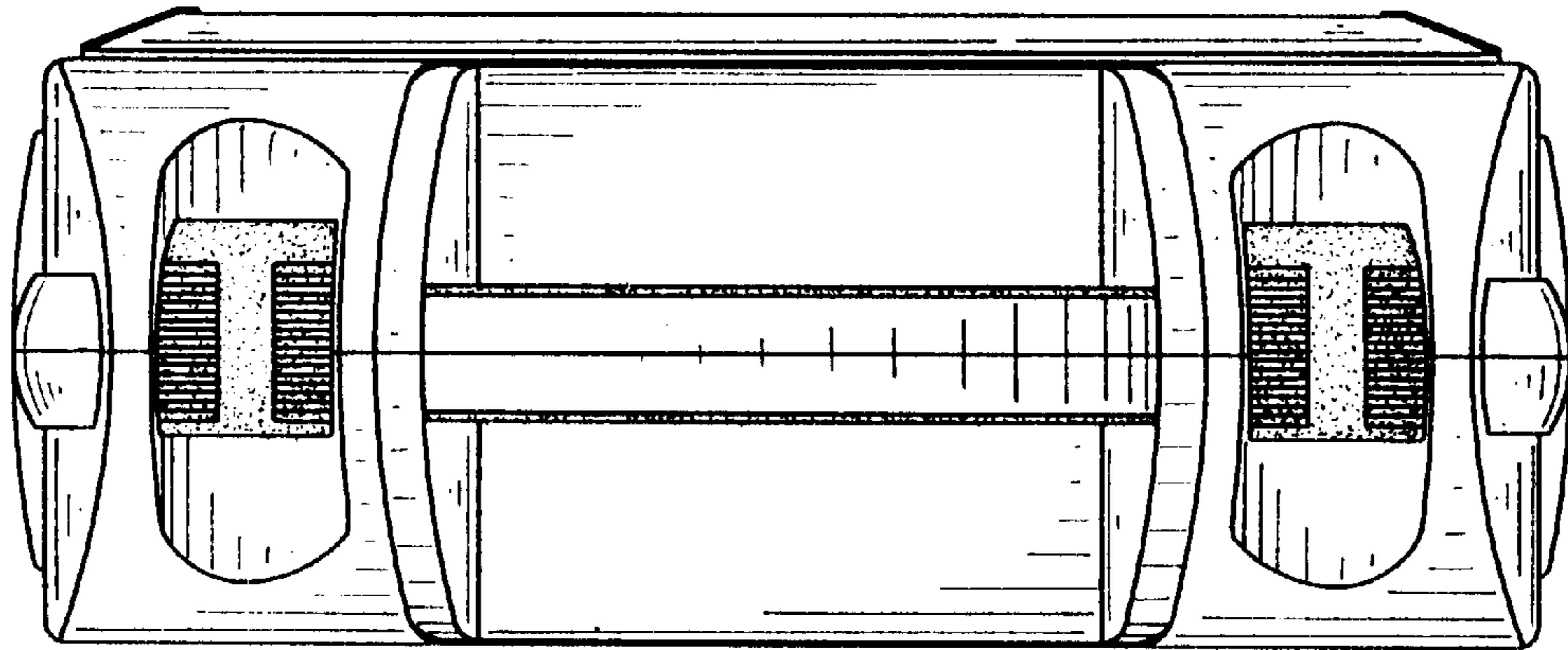


FIG. 6

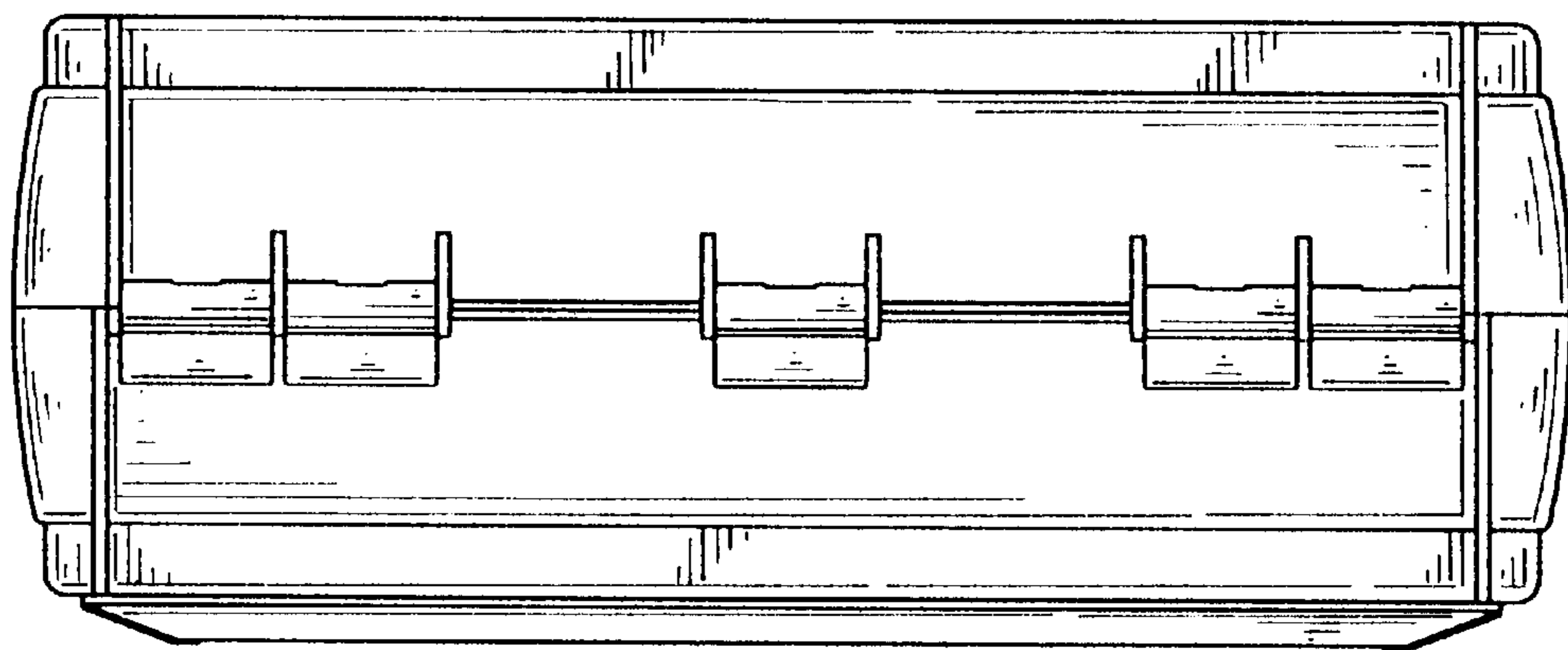


FIG. 7