



US00D463910S

(12) **United States Design Patent**  
**Tchan**

(10) **Patent No.:** **US D463,910 S**

(45) **Date of Patent:** **\*\* Oct. 8, 2002**

(54) **WHEELED CATALOG CASE**

(76) Inventor: **Jack Tchan**, 5646 Lubao Ave.,  
Woodland Hills, CA (US) 91367

(\*\*) Term: **14 Years**

(21) Appl. No.: **29/149,164**

(22) Filed: **Oct. 2, 2001**

(51) **LOC (7) Cl.** ..... **03-01**

(52) **U.S. Cl.** ..... **D3/279**

(58) **Field of Search** ..... D3/273, 276, 279,  
D3/281, 283, 285, 287, 289; 190/18 A,  
100, 110, 111, 112, 113, 115

(56) **References Cited**

**U.S. PATENT DOCUMENTS**

D333,725 S	*	3/1993	Thomas	.....	D3/279
D357,354 S	*	4/1995	Marchwiak et al.	.....	D3/276
D358,031 S	*	5/1995	Aumasson	.....	D3/276
D364,504 S	*	11/1995	Bieber et al.	.....	D3/276
D381,511 S	*	7/1997	Krulik	.....	D3/279
D385,699 S	*	11/1997	Lin	.....	D3/279
5,967,270 A	*	10/1999	Shyr	.....	190/109
5,988,334 A	*	11/1999	Caruso	.....	190/18 A
6,059,079 A	*	5/2000	Krulik	.....	190/111

6,062,357 A	*	5/2000	Bogert	.....	190/115
6,109,403 A	*	8/2000	Godshaw	.....	190/113
D431,906 S	*	10/2000	Livingston	.....	D3/276

\* cited by examiner

*Primary Examiner*—Philip S. Hyder

(74) *Attorney, Agent, or Firm*—Cislo & Thomas LLP

(57) **CLAIM**

The ornamental design for a wheeled catalog case, as shown and described herein.

**DESCRIPTION**

FIG. 1. Is a perspective view showing my wheeled catalog case with the handle in the extended position and case in the open position;

FIG. 2. Is a perspective view of my wheeled catalog case;

FIG. 3. Is a right side view thereof;

FIG. 4. Is a top view thereof;

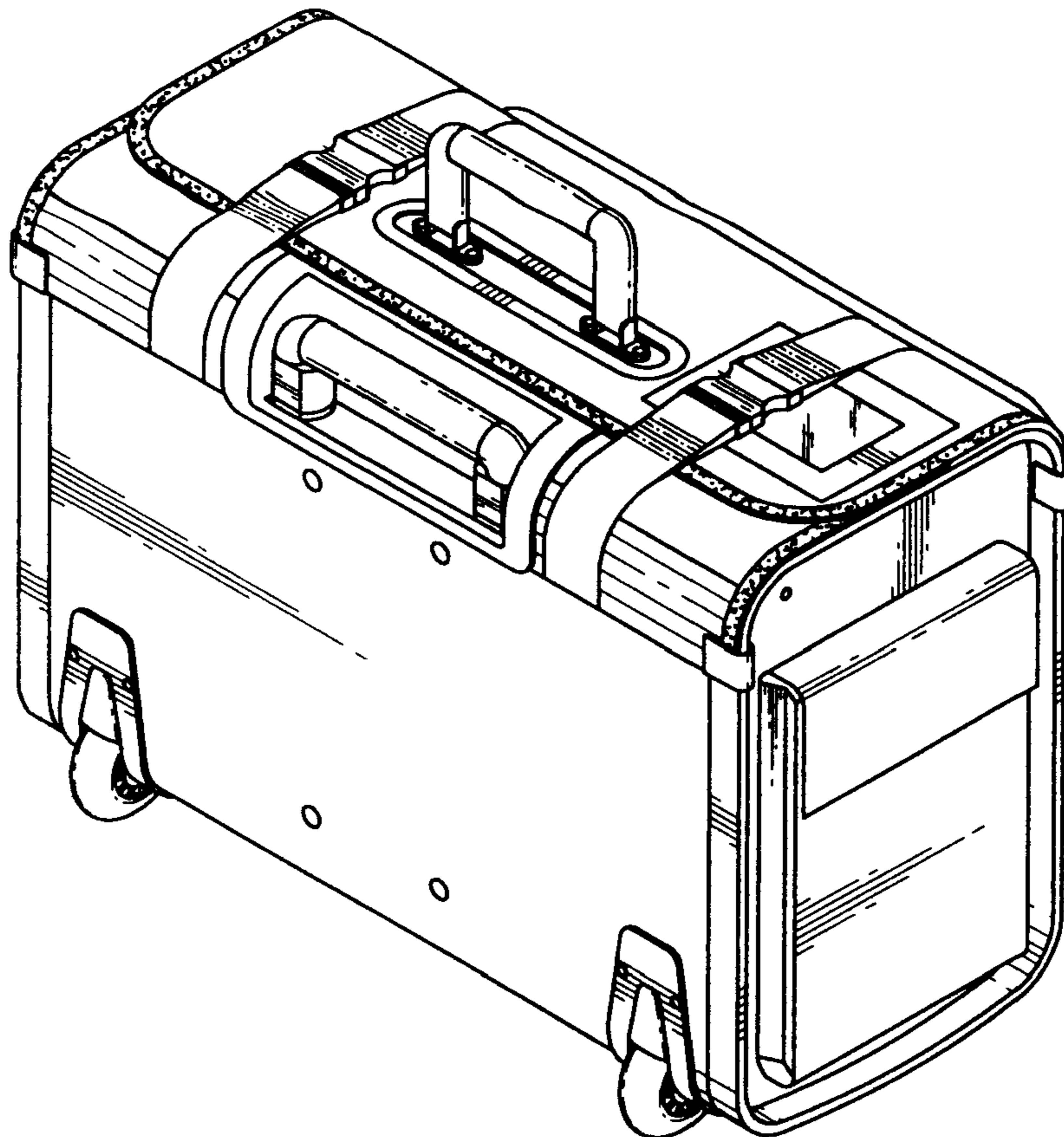
FIG. 5. Is a right side elevational view thereof, with the left side elevational view being a mirror image;

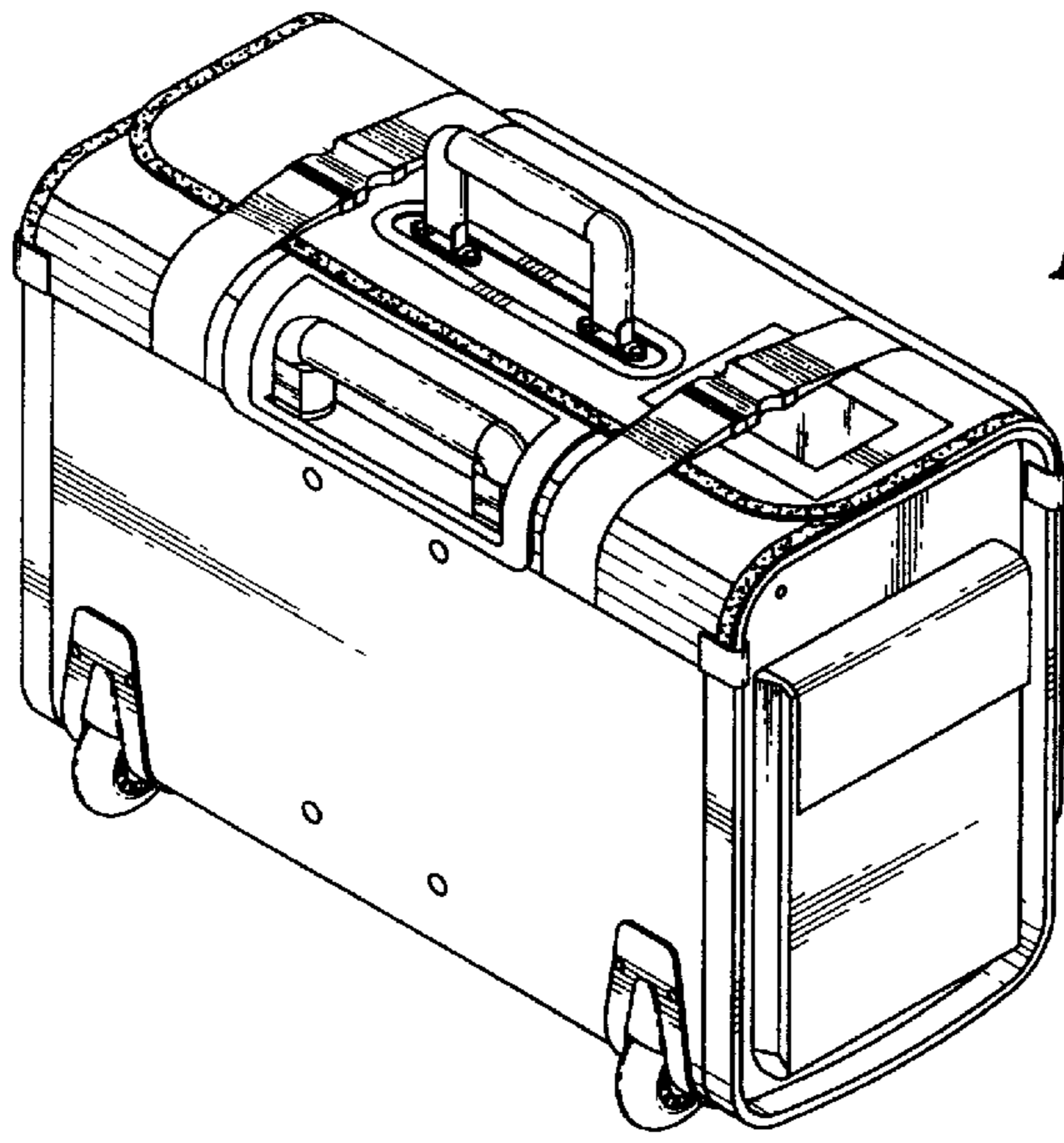
FIG. 6. is a front view thereof;

FIG. 7. Is a rear view thereof; and,

FIG. 8. Is a bottom view thereof.

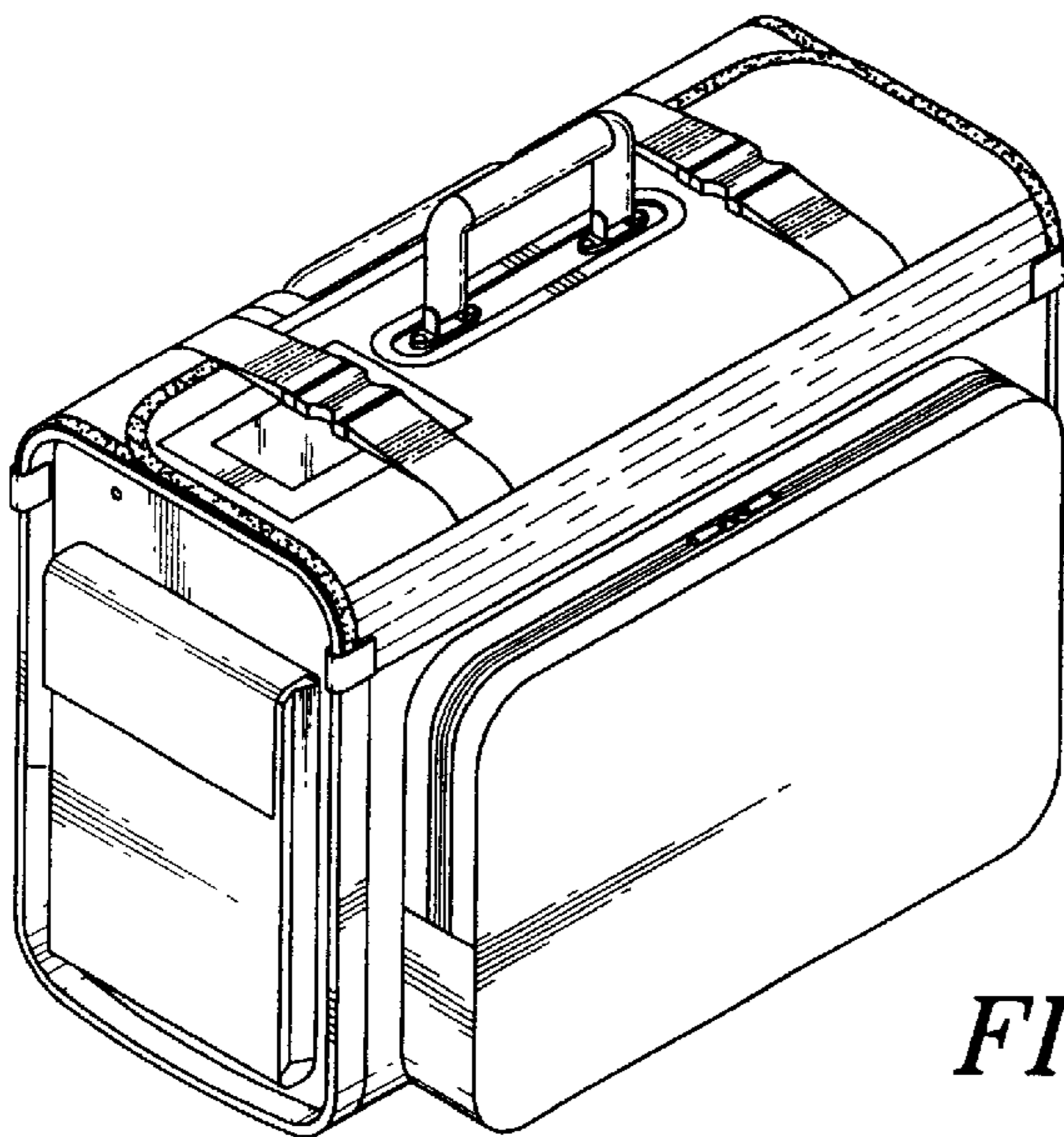
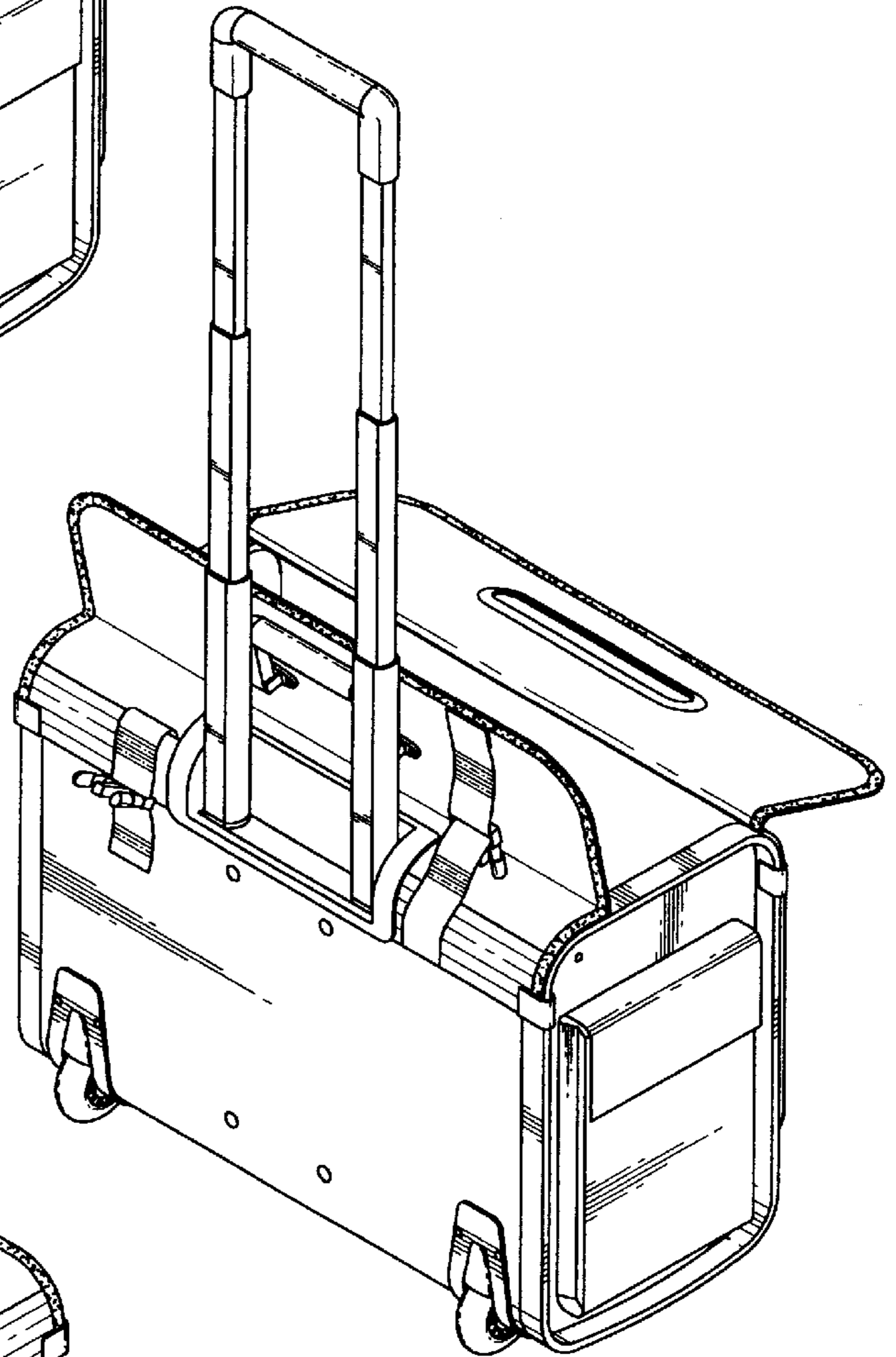
**1 Claim, 3 Drawing Sheets**



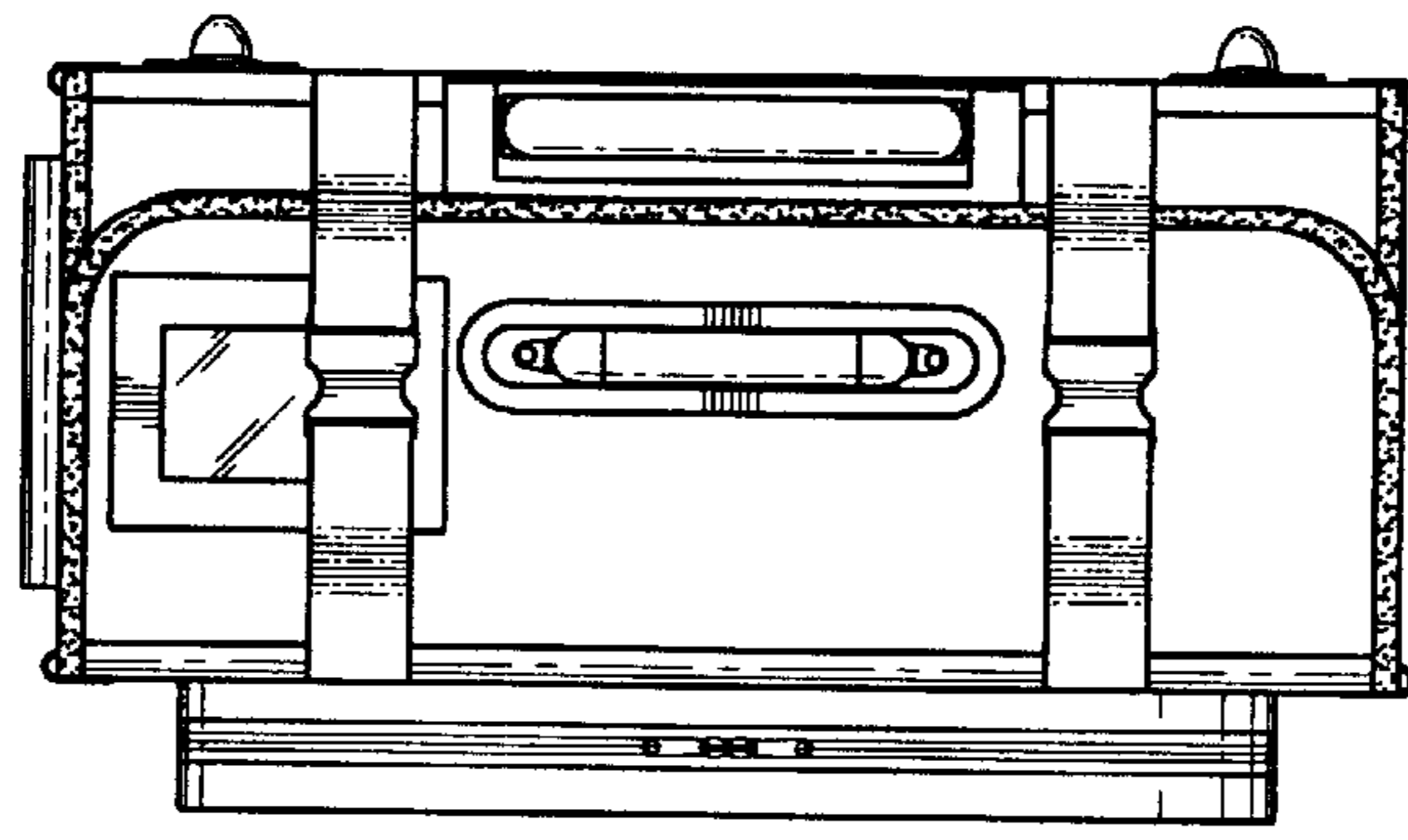


*FIG. 1*

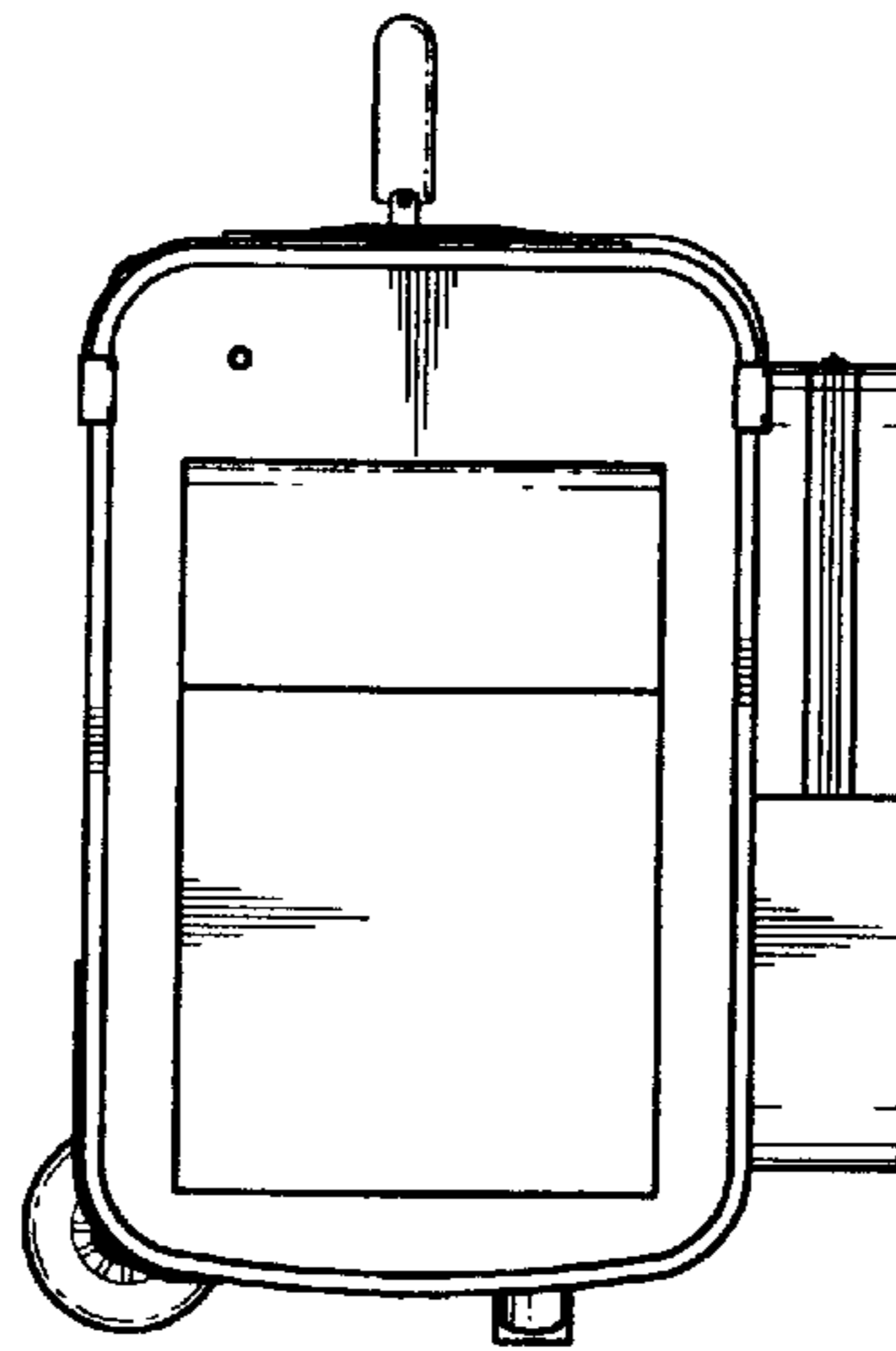
*FIG. 2*



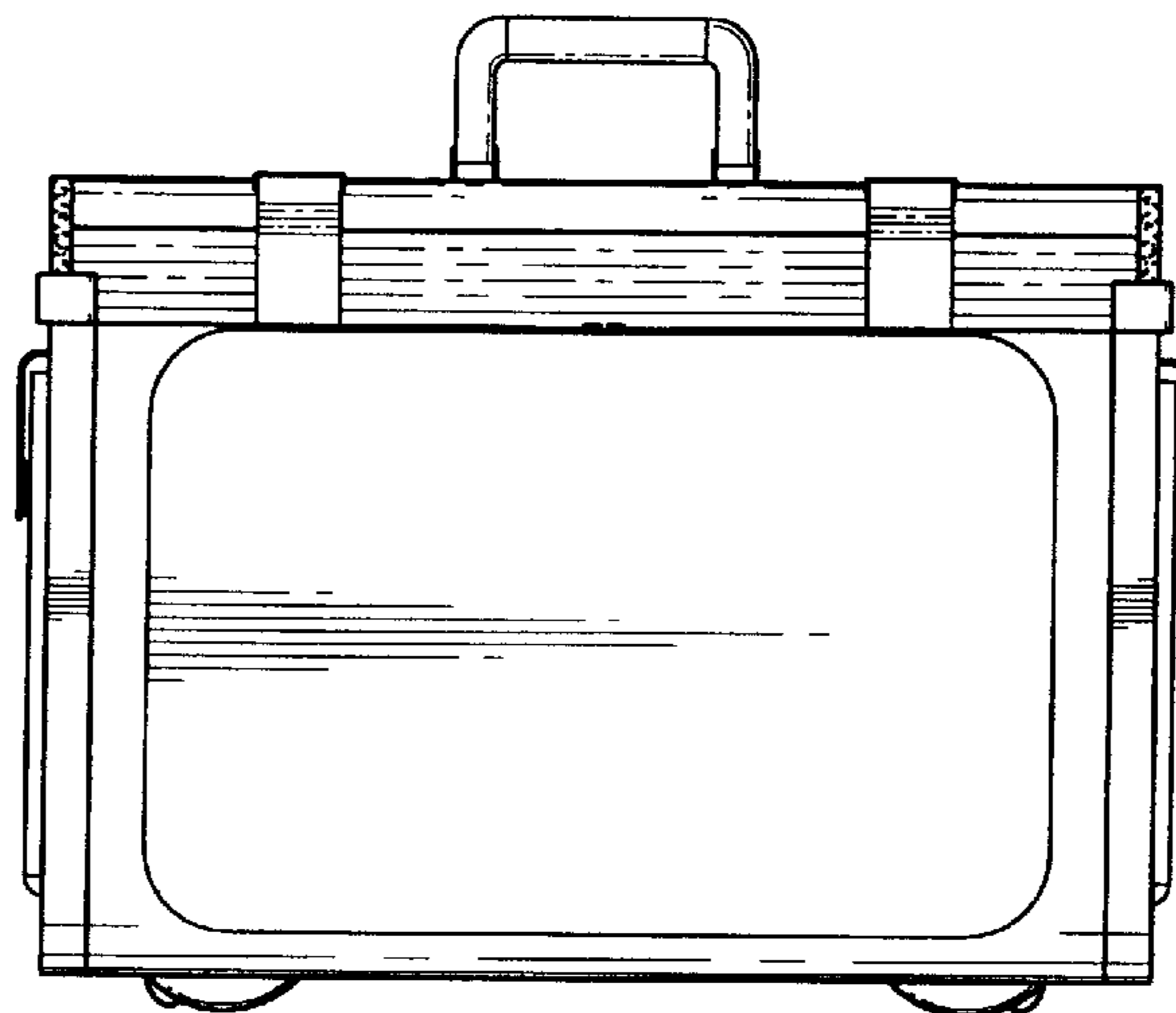
*FIG. 3*



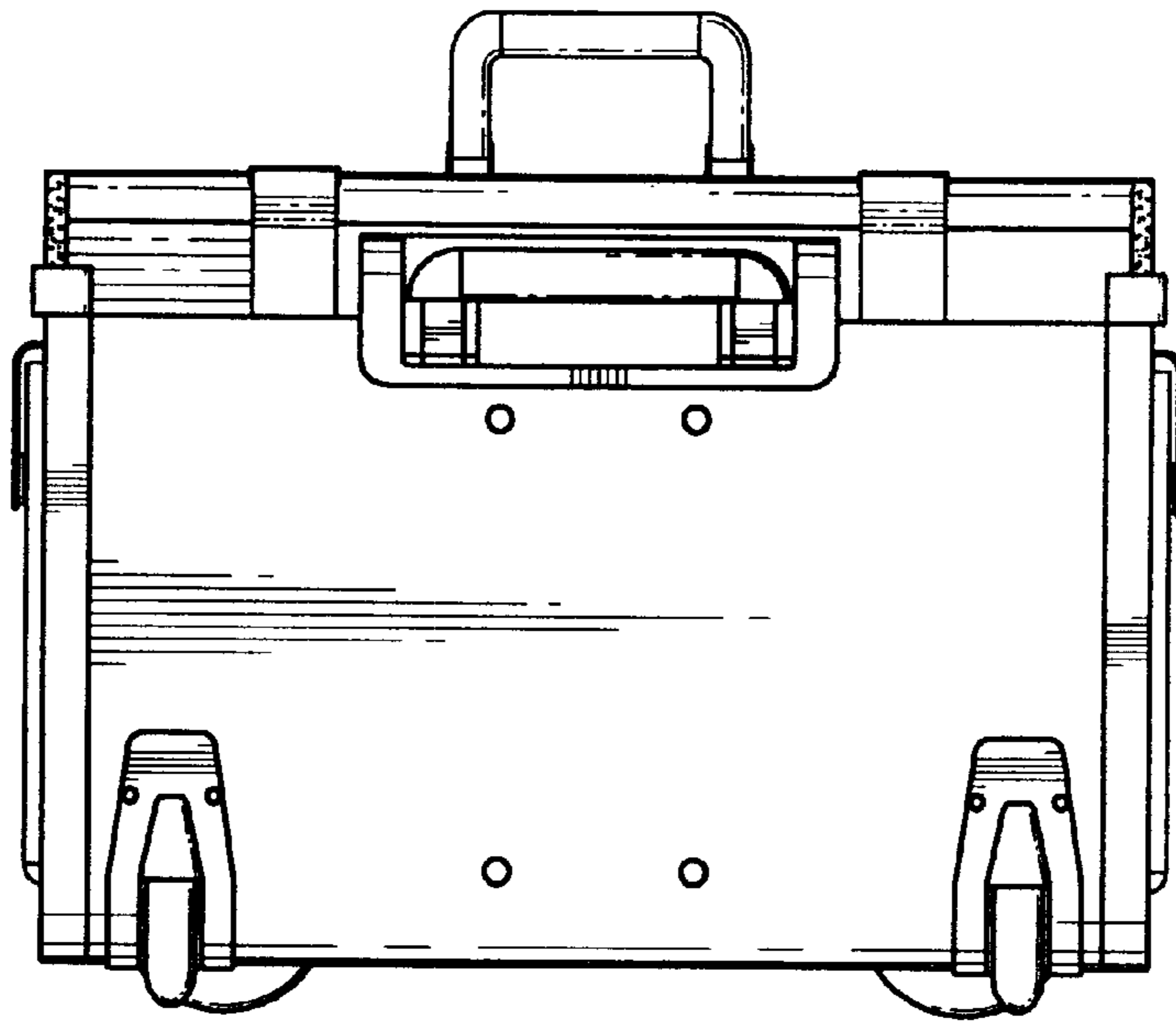
*FIG. 4*



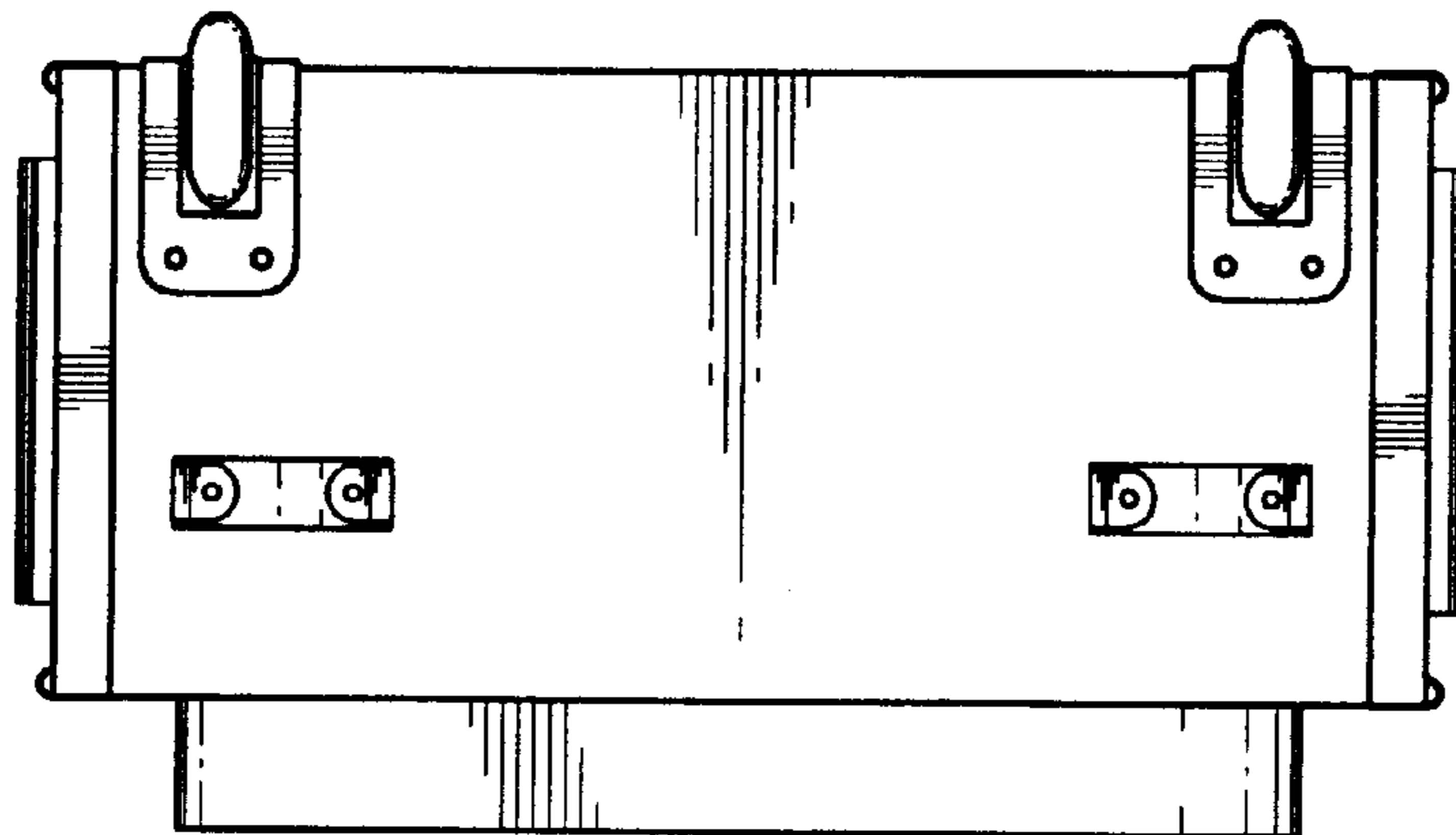
*FIG. 5*



*FIG. 6*



*FIG. 7*



*FIG. 8*