



US00D463907S

(12) **United States Design Patent**  
**Lemoine**

(10) **Patent No.:** **US D463,907 S**

(45) **Date of Patent:** **\*\* Oct. 8, 2002**

(54) **CONTAINER FOR COTTON STICKS**

(75) Inventor: **Phillipe Lemoine**, Paris (FR)

(73) Assignee: **Lemoine S.A.**, Athis (FR)

(\*\*) Term: **14 Years**

(21) Appl. No.: **29/128,482**

(22) Filed: **Aug. 25, 2000**

(51) **LOC (7) Cl.** ..... **03-01**

(52) **U.S. Cl.** ..... **D3/205**

(58) **Field of Search** ..... D3/201, 205, 270,  
D3/271, 294, 901; D28/76; D19/77; D34/1,  
7, 8, 9, 10; D9/504, 511, 513, 516, 529,  
537, 545, 549; 206/6, 265, 268, 811

(56) **References Cited**

**U.S. PATENT DOCUMENTS**

D210,057 S	*	1/1968	Pfrommer	.....	D28/76
D325,164 S	*	4/1992	Cann et al.	.....	D9/529
5,125,531 A	*	6/1992	Wentz	.....	206/811 X
D341,315 S	*	11/1993	Seymour	.....	D9/529 X
5,423,419 A	*	6/1995	Wentz et al.	.....	206/8
D431,322 S	*	9/2000	Lemoine	.....	D28/73

\* cited by examiner

*Primary Examiner*—Louis S. Zarfes

*Assistant Examiner*—Monica A. Weingart

(74) *Attorney, Agent, or Firm*—Gray Cary Ware & Freidenrich LLP

(57) **CLAIM**

I claim the ornamental design for a container for cotton sticks, as shown and described.

**DESCRIPTION**

FIG. 1 is a front perspective view of the container for cotton sticks embodying the design.

FIG. 2 is rear perspective view of a container for cotton sticks.

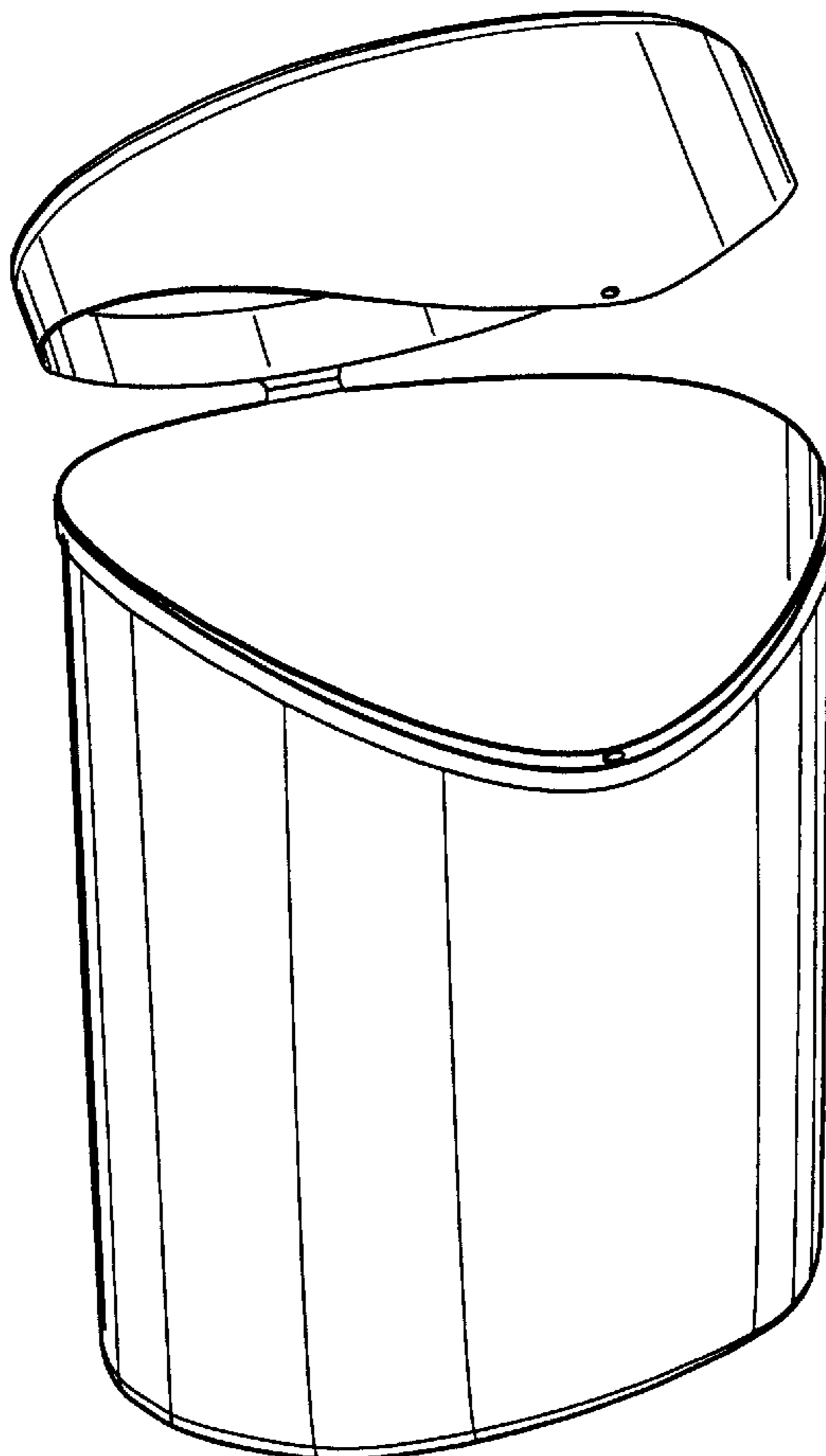
FIG. 3 is a plan view of the container for cotton sticks viewed from the top side of FIG. 1.

FIG. 4 is a plan view of the container for cotton sticks viewed from the front side of FIG. 1.

FIG. 5 is a plan view of the container for cotton sticks viewed from the right side of FIG. 1 where the left side is a mirror image; and,

FIG. 6 is a plan view of the container for cotton sticks viewed from the rear side of FIG. 1.

**1 Claim, 3 Drawing Sheets**



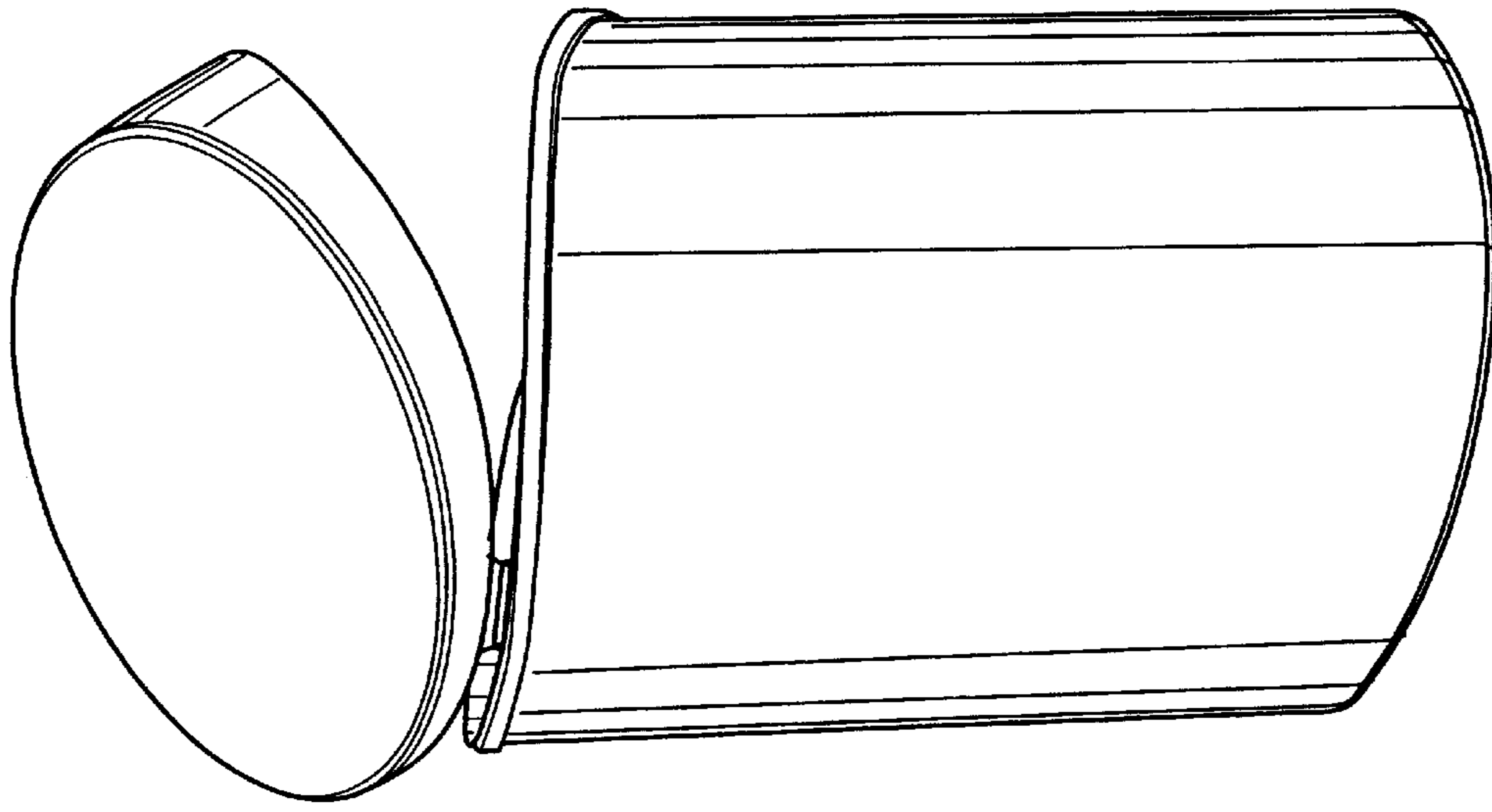


FIG. 2

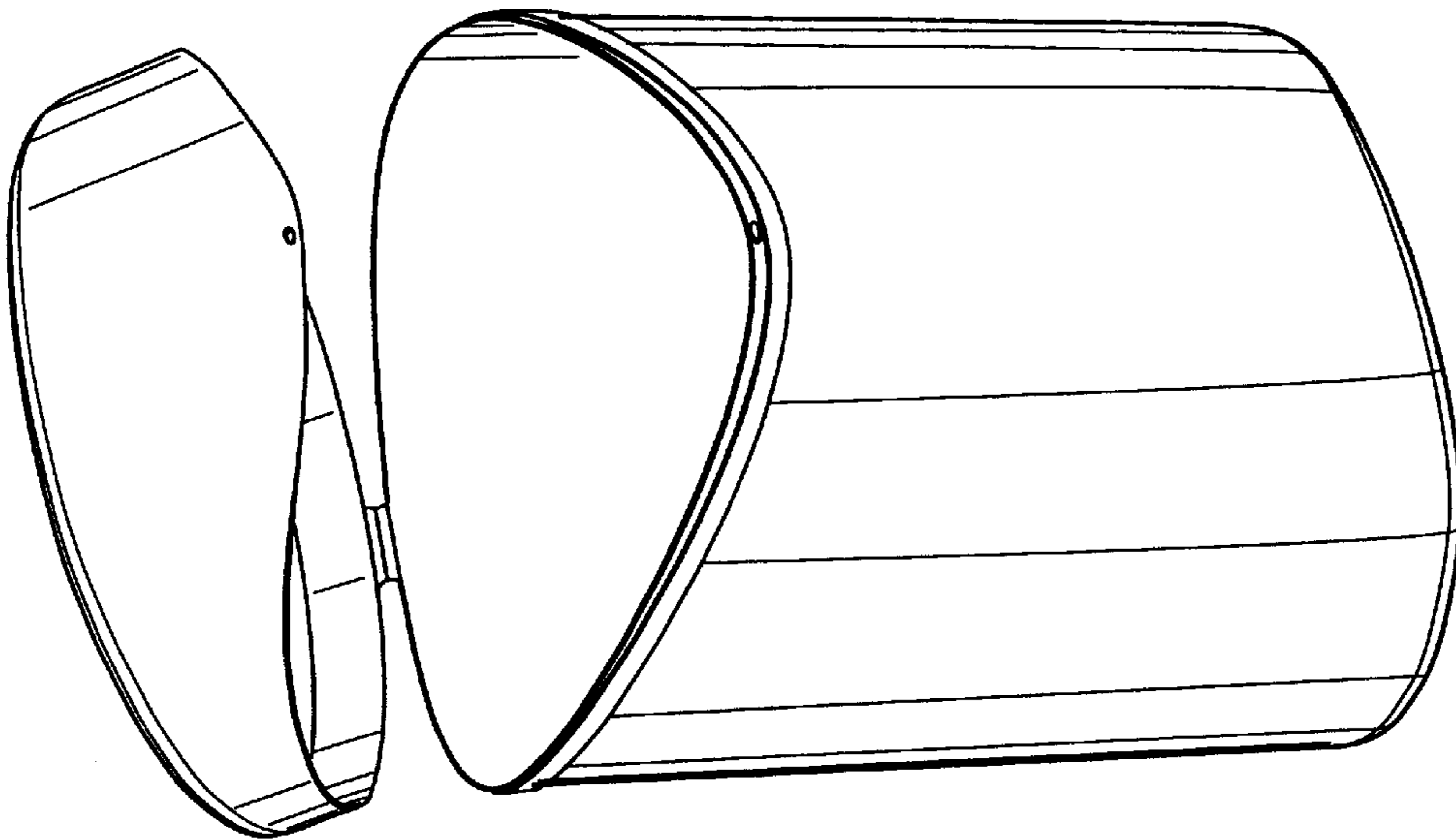


FIG. 1

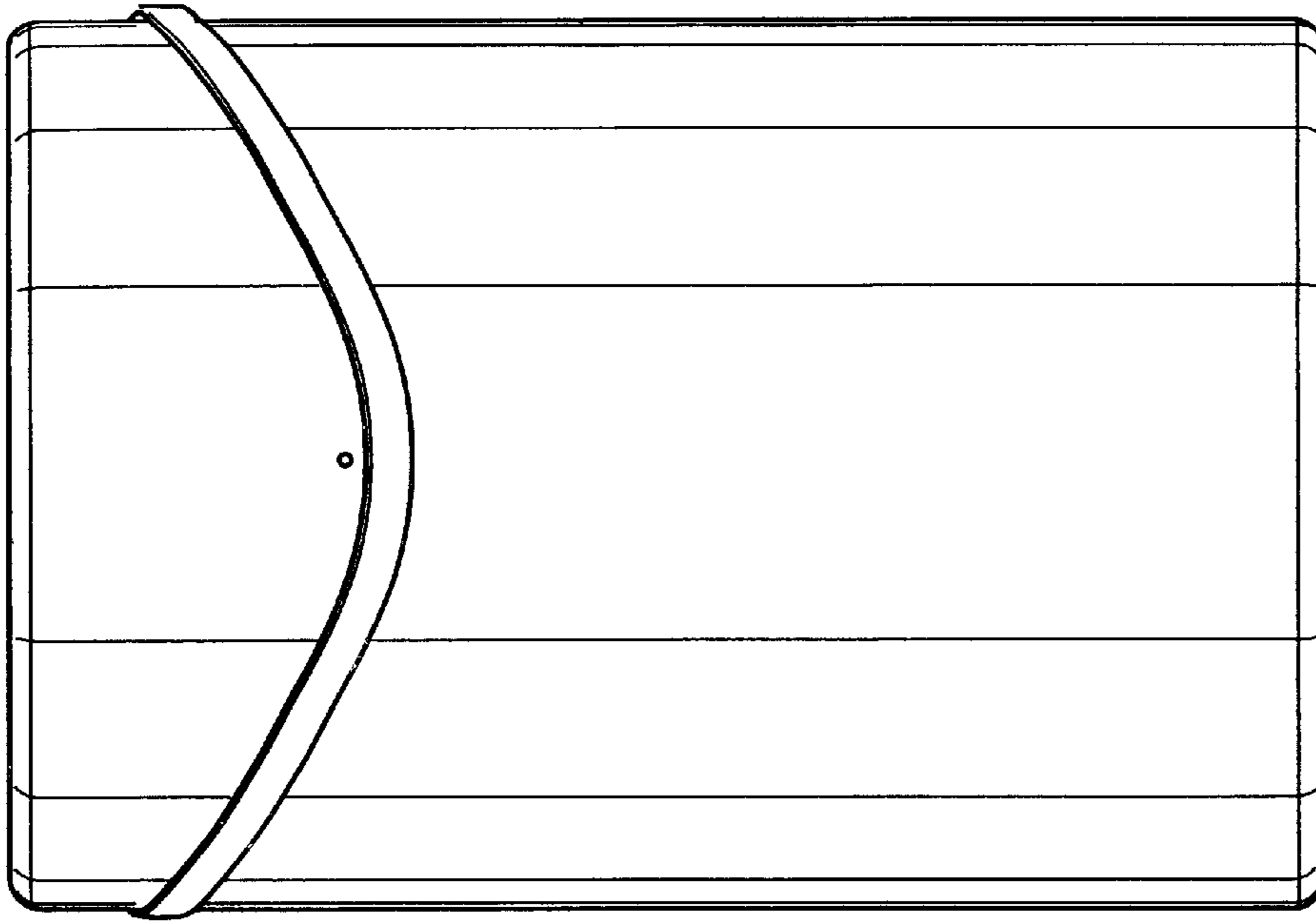


FIG. 4

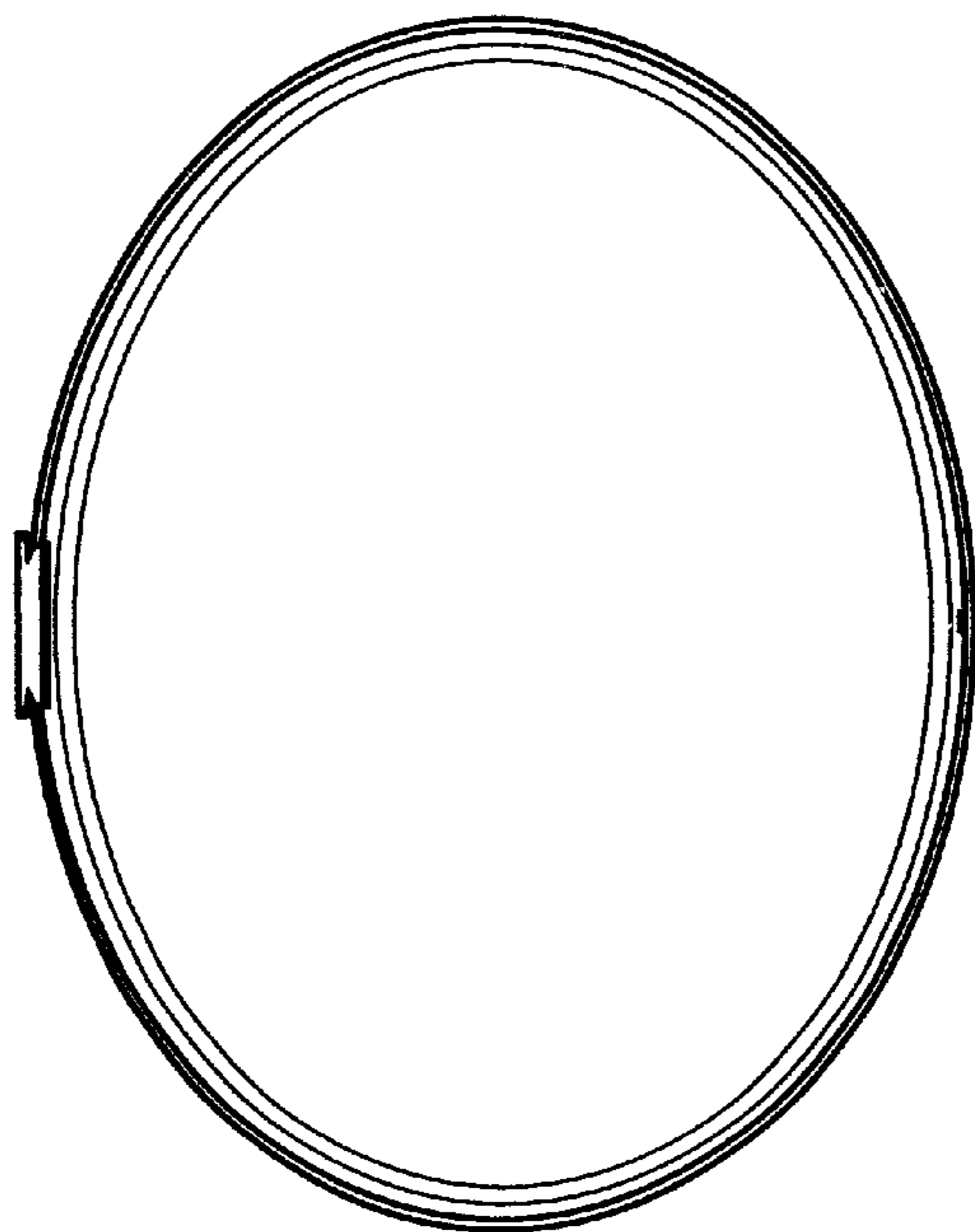


FIG. 3

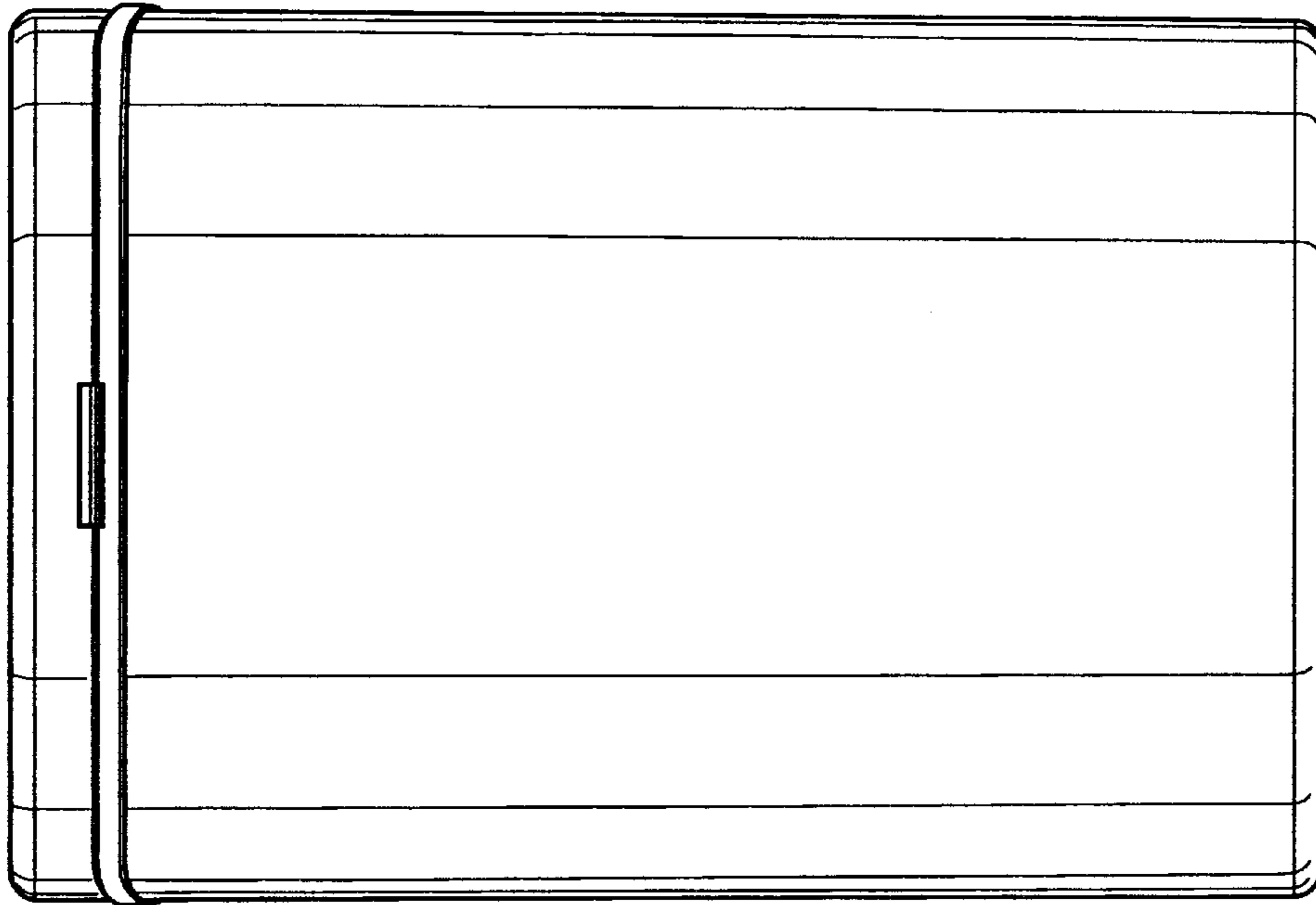


FIG. 6

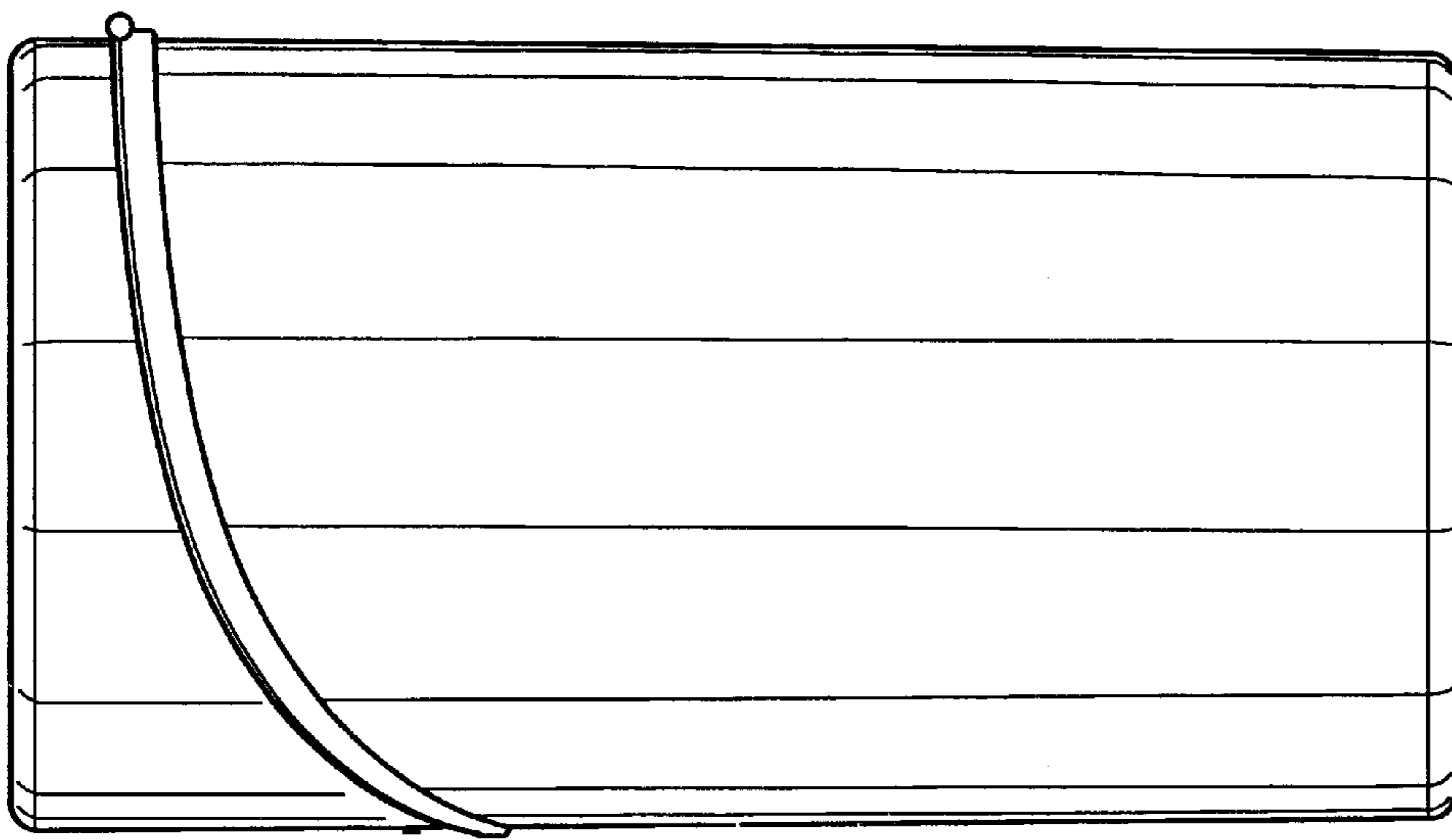


FIG. 5