



US00D463893S

(12) **United States Design Patent**
Hoffmann

(10) **Patent No.:** **US D463,893 S**

(45) **Date of Patent:** **** Oct. 1, 2002**

(54) **WHEELBARROW**

6,099,025 A * 8/2000 Rohrs 280/659

(76) Inventor: **Matthias Hoffmann**, Am Thalbach
128a, D-99439 Vippachedelhausen (DE)

* cited by examiner

(**) Term: **14 Years**

Primary Examiner—Kay H. Chin

(74) *Attorney, Agent, or Firm*—Collard & Roe, P.C.

(21) Appl. No.: **29/149,457**

(57) **CLAIM**

(22) Filed: **Oct. 10, 2001**

The ornamental design for a wheelbarrow, as shown and described.

(51) **LOC (7) Cl.** **12-02**

DESCRIPTION

(52) **U.S. Cl.** **D34/16**

(58) **Field of Search** D34/12-27; 280/659,
280/47.17, 47.31, 47.315, 47.32, 653, 654,
655

FIG. 1 shows a perspective view of my design for a wheel barrow;

FIG. 2 shows a side view thereof, with the opposite side view being a mirror image thereof;

FIG. 3 shows a front view thereof;

FIG. 4 shows a top view thereof;

FIG. 5 shows a rear view thereof; and,

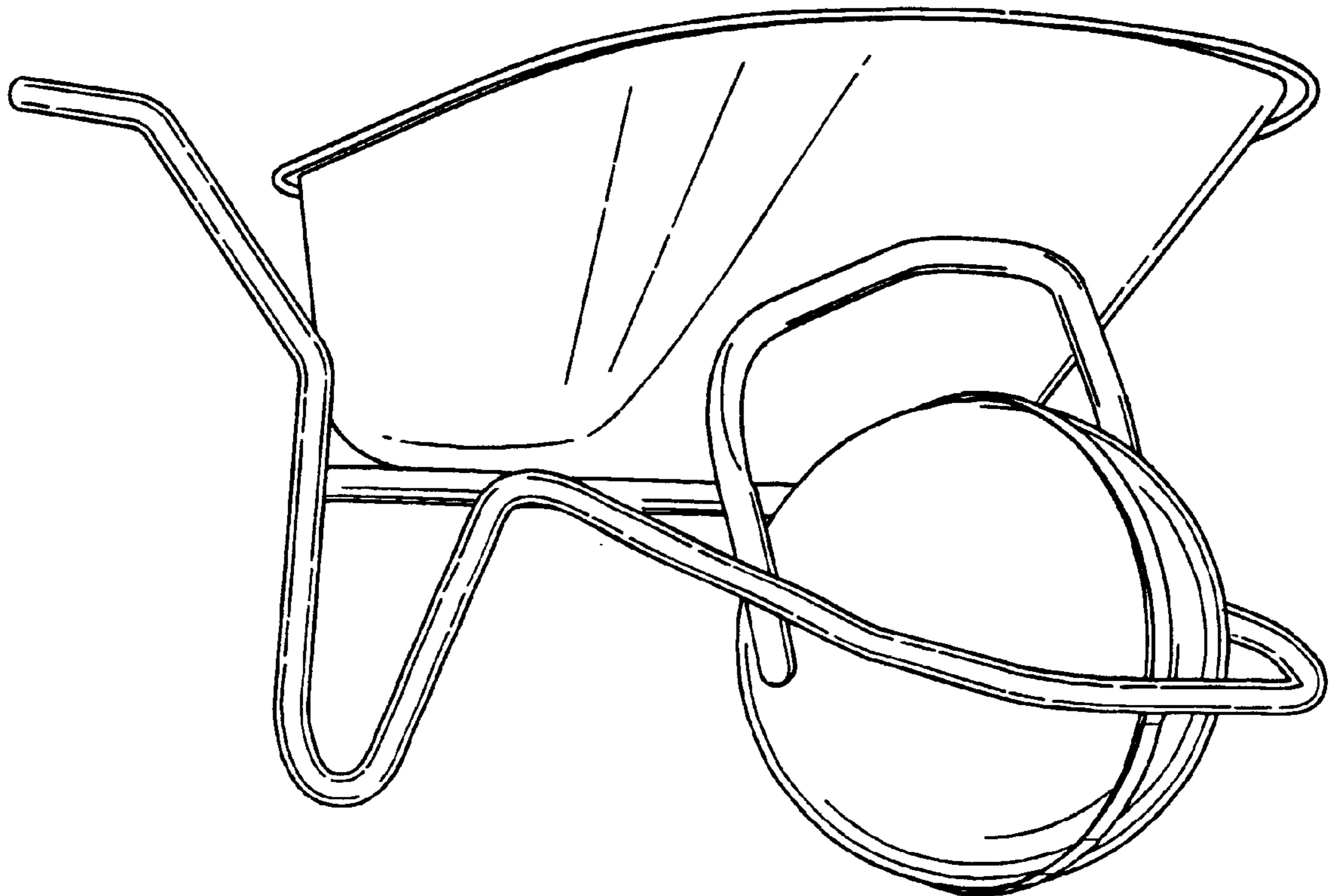
FIG. 6 shows a bottom view thereof.

(56) **References Cited**

U.S. PATENT DOCUMENTS

3,826,511 A *	7/1974	Frank	280/47.31
5,601,298 A *	2/1997	Watanabe	280/47.31
5,884,924 A *	3/1999	Fairchild et al.	280/47.31
5,908,202 A *	6/1999	Leger et al.	280/653

1 Claim, 3 Drawing Sheets



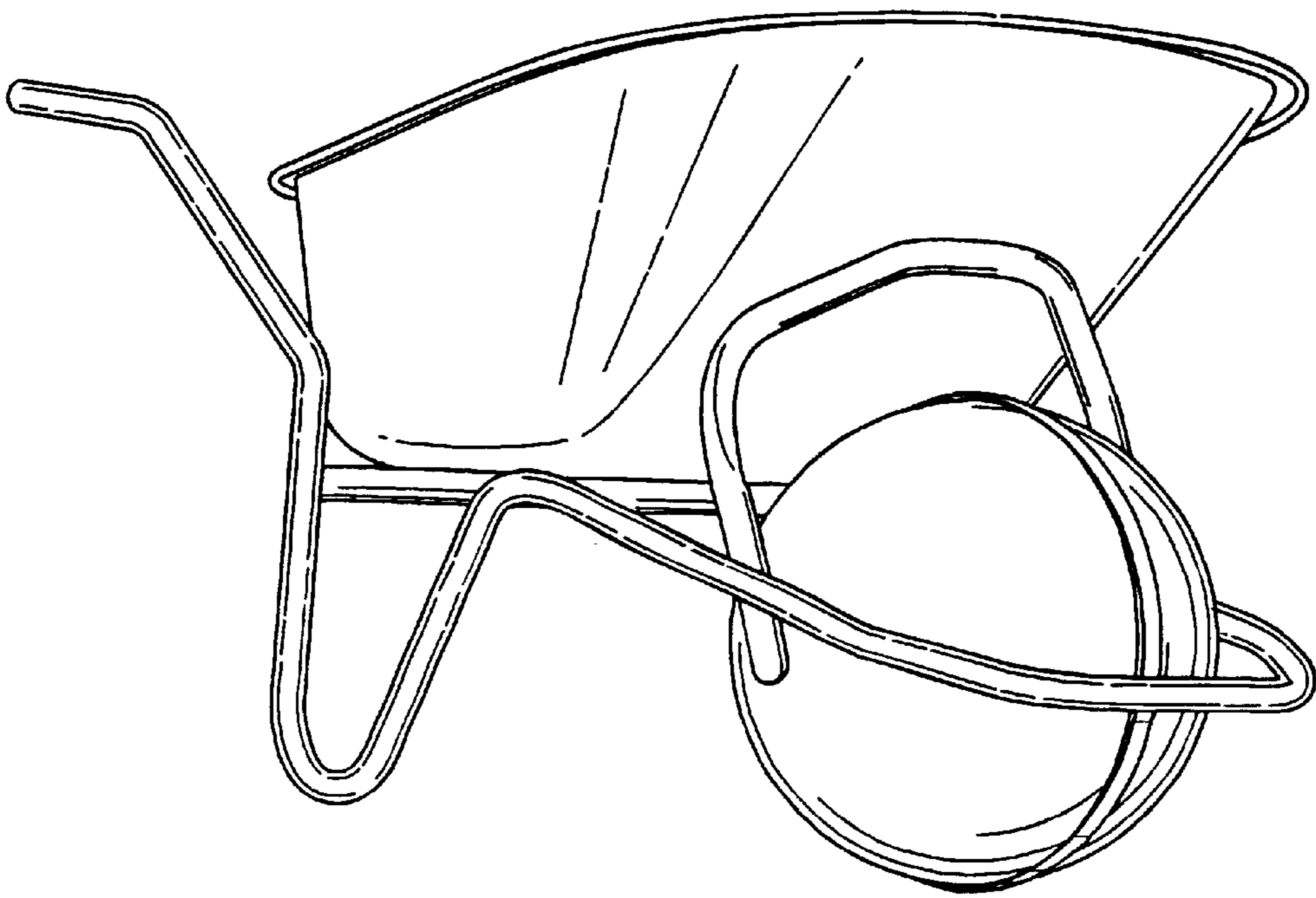


FIG. 1

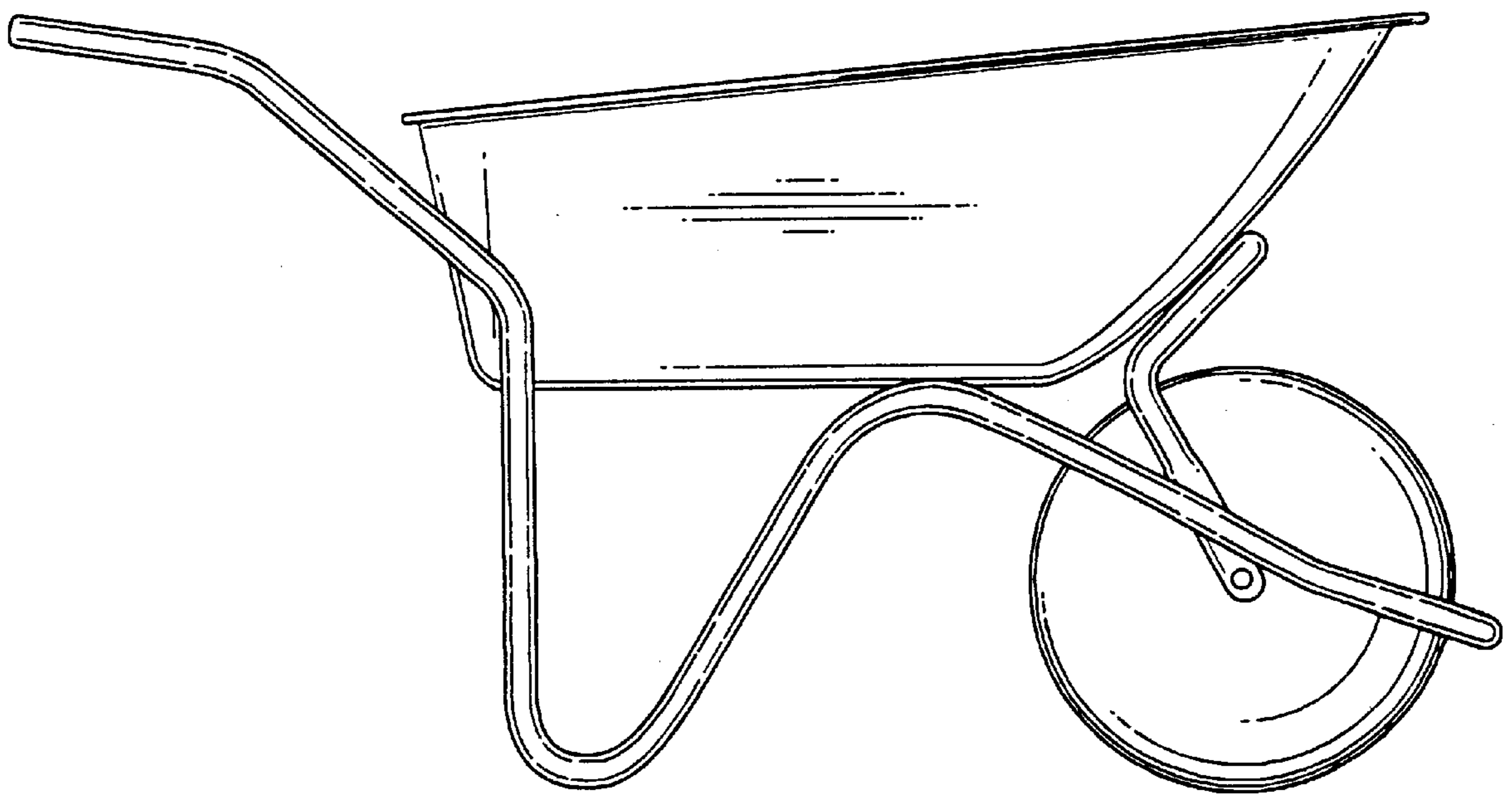


FIG. 2

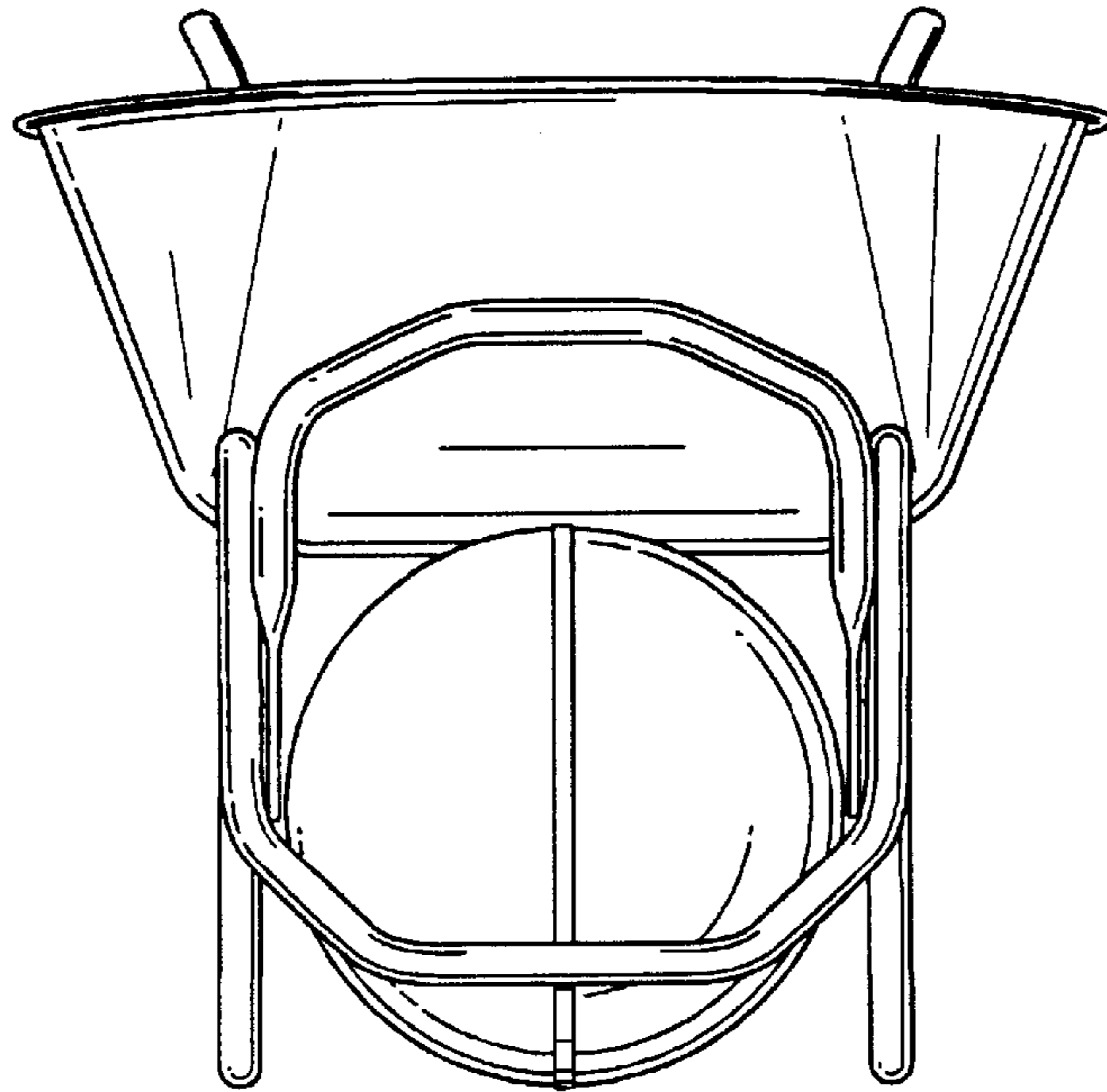


FIG. 3

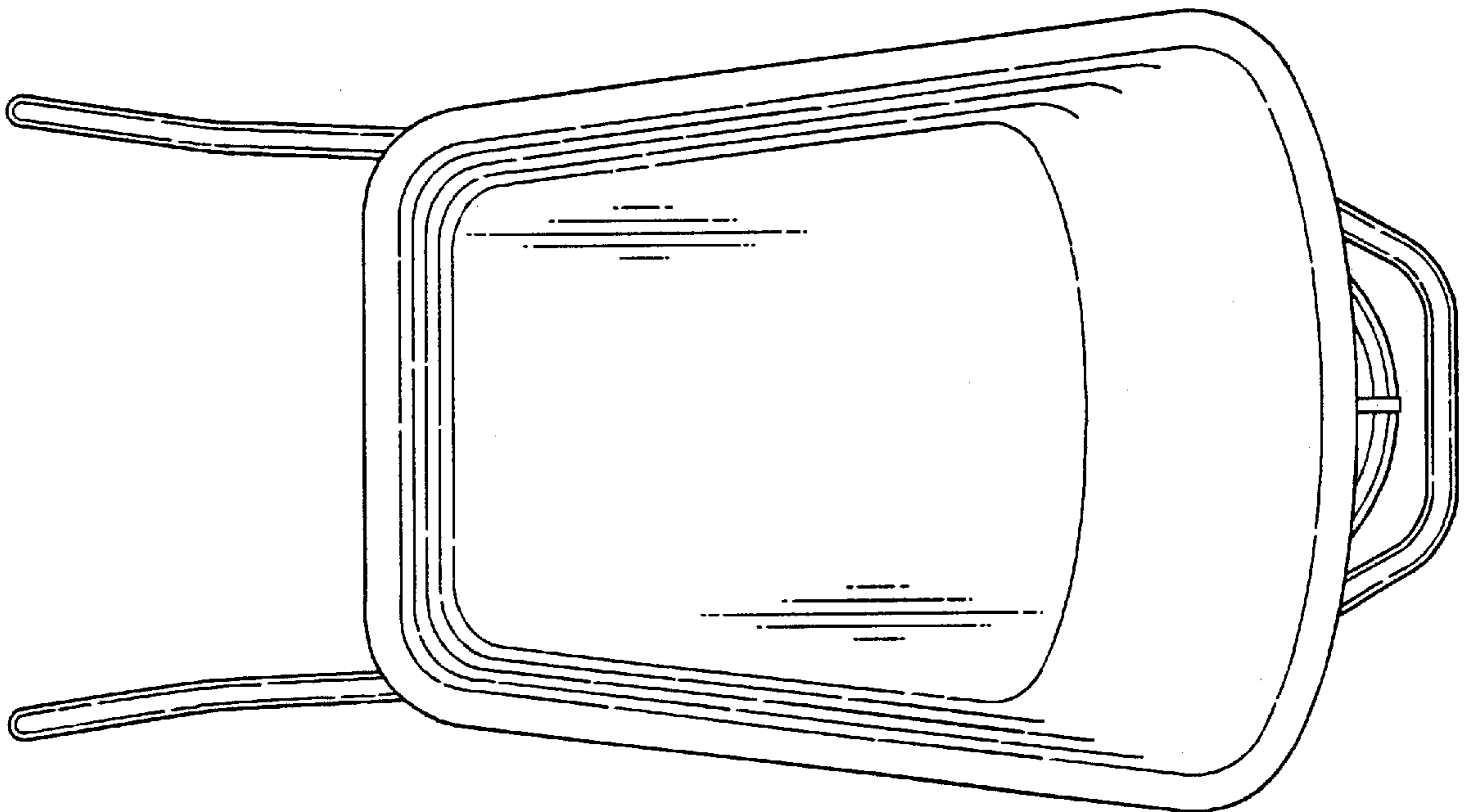


FIG. 4

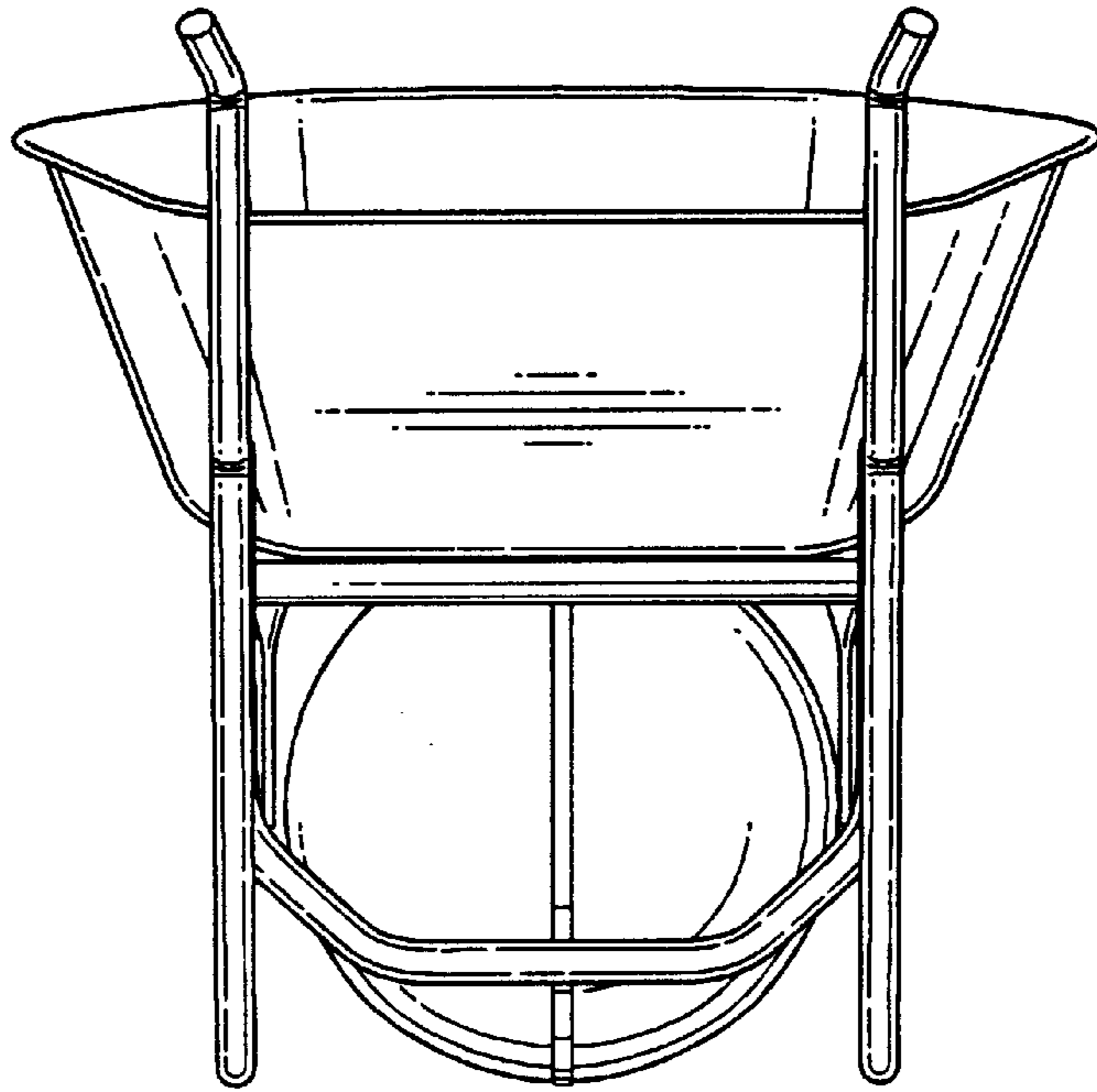


FIG. 5

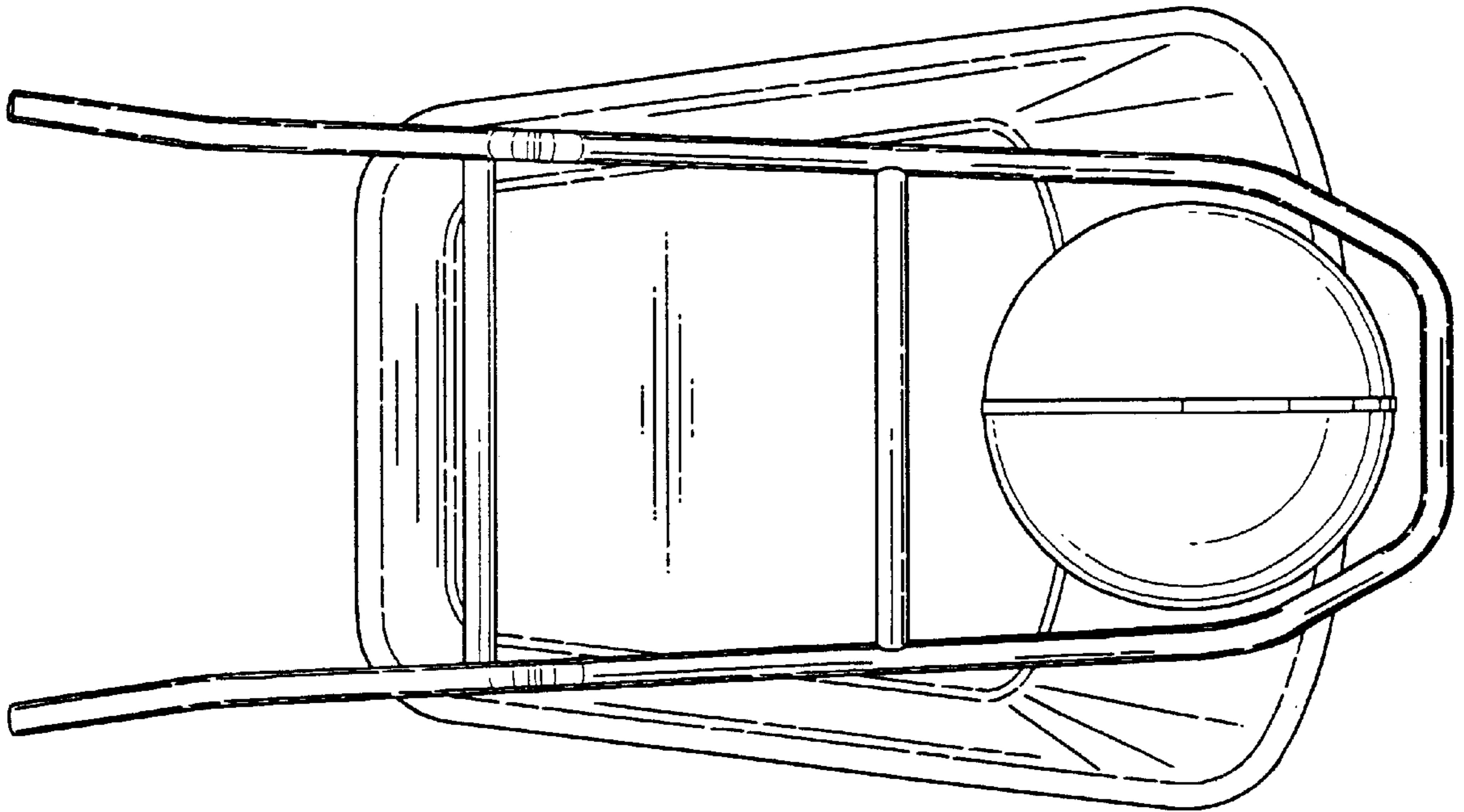


FIG. 6