



US00D463892S

(12) **United States Design Patent**  
**Brady**

(10) **Patent No.:** **US D463,892 S**

(45) **Date of Patent:** **\*\* Oct. 1, 2002**

(54) **IRON GUARD**

(75) Inventor: **Martin Brady**, Chesterfield, VA (US)

(73) Assignee: **Hamilton Beach/Proctor-Silex, Inc.**,  
Glen Allen, VA (US)

(\*\*) Term: **14 Years**

(21) Appl. No.: **29/137,246**

(22) Filed: **Feb. 15, 2001**

(51) **LOC (7) Cl.** ..... **07-05**

(52) **U.S. Cl.** ..... **D32/71**

(58) **Field of Search** ..... **D32/71, 73; 38/79,**  
**38/81, 93, 94, 96, 97; 248/117.1, 117.2**

D176,973 S 2/1956 Braddock  
 2,820,877 A 1/1958 Oates, Jr.  
 2,838,647 A 6/1958 Gorlinski  
 2,957,257 A 10/1960 Abbott  
 D191,007 S 8/1961 Caddell  
 3,238,650 A 3/1966 Mullen  
 3,523,176 A 8/1970 Hill  
 D246,497 S 11/1977 Toyosawa  
 D336,700 S 6/1993 Riemann  
 5,404,662 A 4/1995 Patrick et al.  
 5,414,945 A 5/1995 Freeman et al.  
 D366,545 S 1/1996 Sambamurti  
 5,512,728 A 4/1996 Jalbert  
 5,526,596 A 6/1996 Bitzel et al.  
 D396,915 S 8/1998 McIntyre  
 5,937,552 A 8/1999 Hall  
 5,966,851 A 10/1999 Serpa  
 D421,325 S 2/2000 Brady et al.  
 6,226,904 B1 5/2001 Brady et al.

(56) **References Cited**

**U.S. PATENT DOCUMENTS**

194,371 A 8/1877 Raymond  
 D24,240 S 4/1895 Graves  
 962,894 A 6/1910 Emery  
 D82,226 S 10/1930 Samuels  
 1,847,808 A 3/1932 Beavan  
 1,972,218 A 9/1934 Duvall  
 1,995,035 A 3/1935 McArdle et al.  
 D98,166 S 1/1936 Jepson  
 2,095,954 A 10/1937 Beck  
 D122,285 S 9/1940 Davis  
 D130,826 S 12/1941 Norbeck  
 2,447,555 A 8/1948 Beaudoin  
 2,462,319 A 2/1949 Hawkins  
 D153,350 S 4/1949 Gelb  
 D153,993 S 5/1949 Stanley  
 D155,534 S 10/1949 Noordhof  
 2,485,472 A 10/1949 Baxter  
 2,528,846 A 11/1950 Sitnick et al.  
 2,529,132 A 11/1950 Burnish, III et al.  
 2,575,118 A 11/1951 Pattison  
 2,598,347 A 5/1952 Butera

*Primary Examiner*—Alan P. Douglas  
*Assistant Examiner*—Lavone Tabor  
 (74) *Attorney, Agent, or Firm*—Roger S. Dybvig

(57) **CLAIM**

The ornamental design for iron guard, as shown and described.

**DESCRIPTION**

FIG. 1 is a perspective view as seen from the top, front and right side of an iron guard showing my new design;  
 FIG. 2 is a top plan view thereof;  
 FIG. 3 is a right side elevational view thereof, the left side elevational view being a mirror image of the right side elevational view;  
 FIG. 4 is a front elevational view thereof;  
 FIG. 5 is a rear elevational view thereof; and,  
 FIG. 6 is a bottom plan view thereof.

**1 Claim, 2 Drawing Sheets**

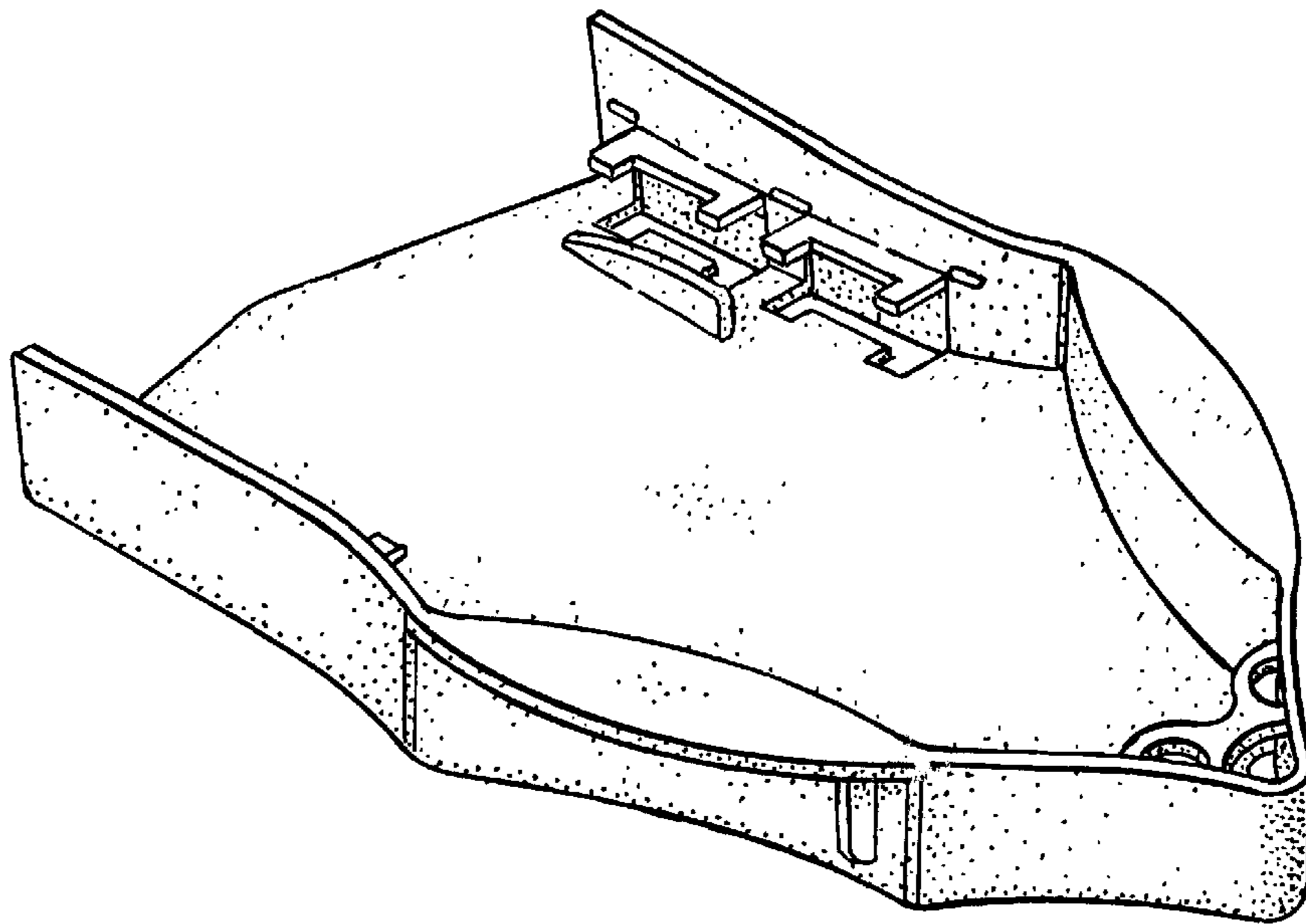


FIG-1

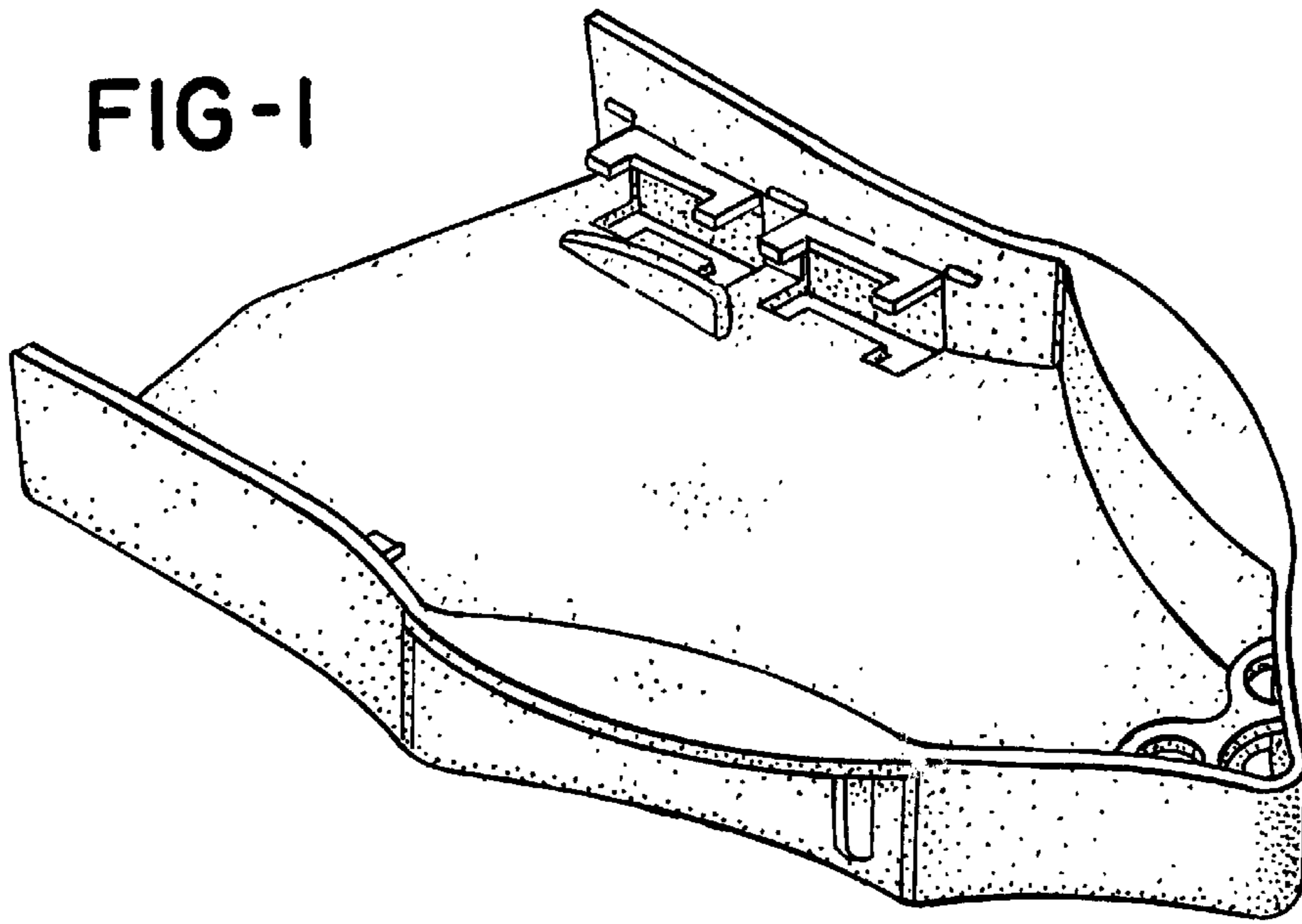


FIG-2

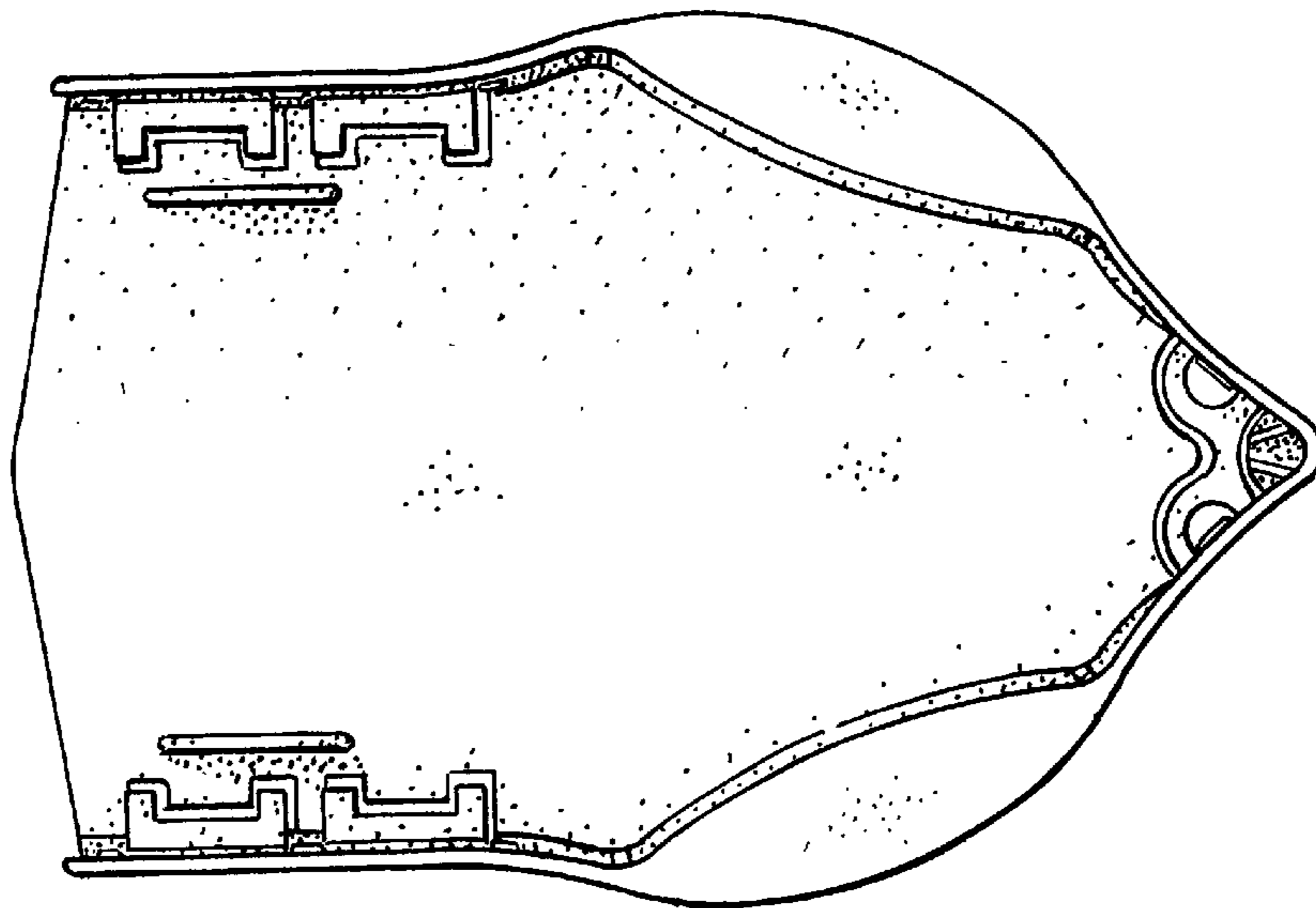


FIG-3

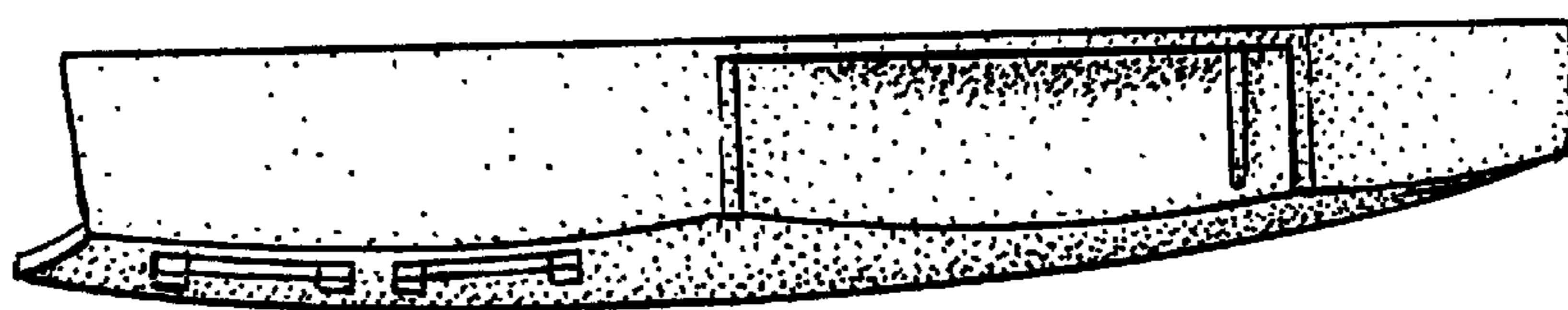


FIG-4

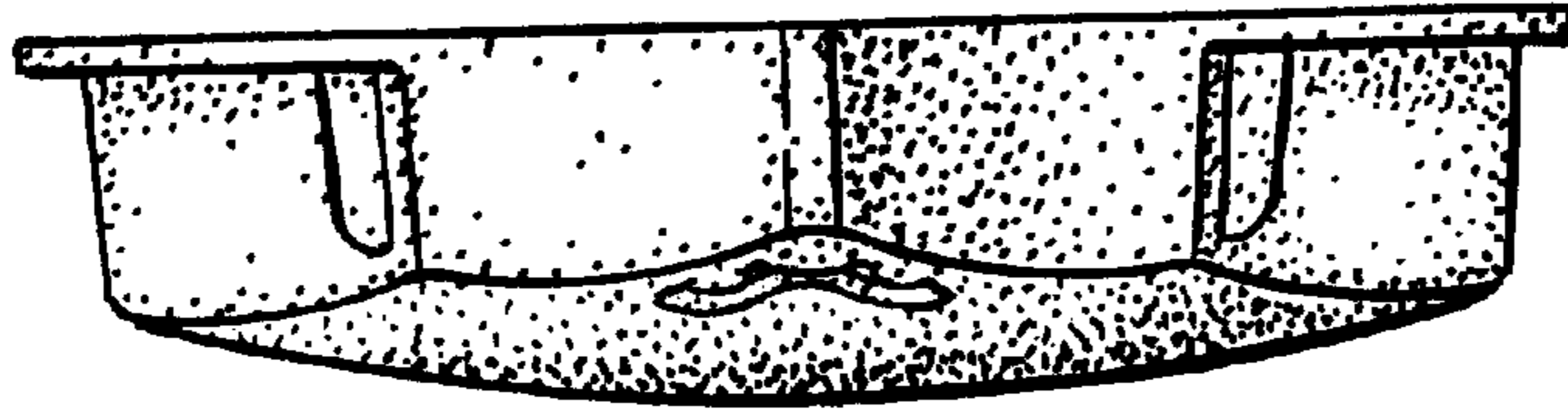


FIG-5

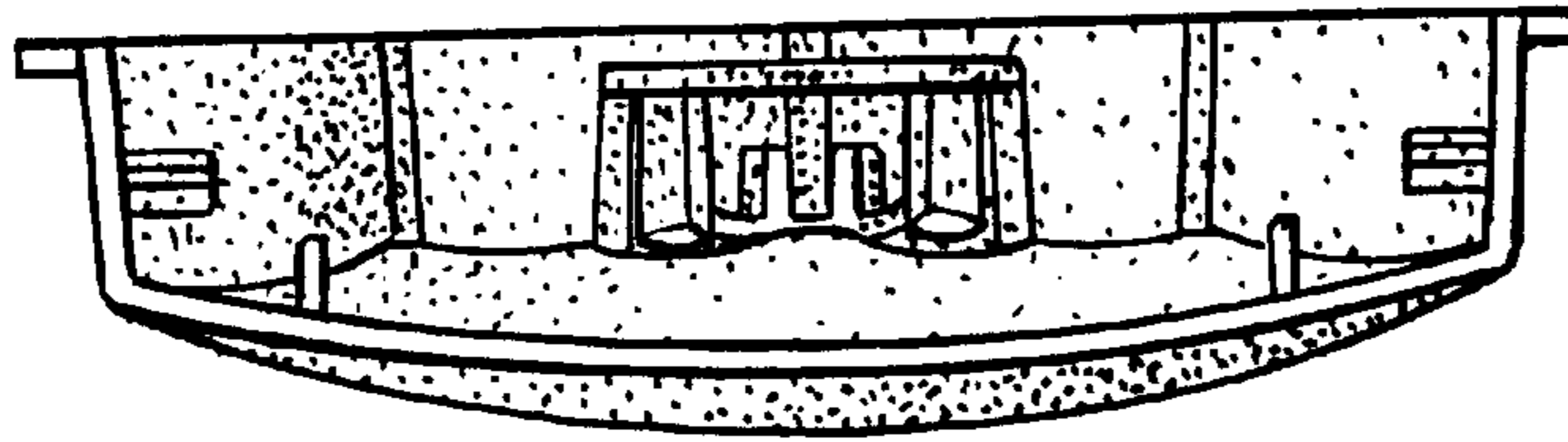


FIG-6

