



US00D463889S

(12) **United States Design Patent**
Buzzi

(10) **Patent No.:** **US D463,889 S**

(45) **Date of Patent:** **** Oct. 1, 2002**

(54) **STEAM GENERATING CANISTER**

(75) **Inventor:** **Bruno Buzzi, Turin (IT)**

(73) **Assignee:** **Euro-Pro Corporation, Ville St. Laurent (CA)**

(**) **Term:** **14 Years**

(21) **Appl. No.:** **29/157,959**

(22) **Filed:** **Mar. 27, 2002**

(51) **LOC (7) Cl.** **15-05**

(52) **U.S. Cl.** **D32/17; D32/21**

(58) **Field of Search** **D32/17, 21, 23, D32/24, 31; 15/327.1-327.4, 327.6, 327.7, 320-321, 339, 353; 68/222; 392/403**

(56) **References Cited**

U.S. PATENT DOCUMENTS

D175,210 S	7/1955	Dreyfuss	
D186,872 S	12/1959	Swann	
D186,874 S	12/1959	Trombley	
D214,340 S	6/1969	Schaefer et al.	
D233,645 S	11/1974	Diehl	
D233,646 S	11/1974	Diehl	
D258,821 S	4/1981	Wareham et al.	
D304,505 S	11/1989	Maier et al.	
D315,624 S	3/1991	Kimura et al.	
D325,452 S	4/1992	Gefter	
5,144,716 A	9/1992	Watanabe et al.	
D338,989 S	* 8/1993	Ambrosiano	D32/15
D375,592 S	11/1996	Ljunggren	
5,613,271 A	* 3/1997	Thomas	15/321
D421,165 S	* 2/2000	Joiner et al.	D32/35

D423,156 S	* 4/2000	Joiner et al.	D32/35
D426,359 S	6/2000	Griffin et al.	
D429,856 S	8/2000	Griffin	
D439,710 S	3/2001	Griffin	
D444,276 S	6/2001	Griffin	
D445,973 S	* 7/2001	Chen	D32/21
D447,842 S	9/2001	Griffin	
D447,844 S	9/2001	Griffin	
6,295,691 B1	* 10/2001	Chen	15/321
D451,653 S	* 12/2001	Berreth et al.	D32/17
D452,052 S	12/2001	Griffin	
D452,594 S	* 12/2001	Rosa	D32/21

* cited by examiner

Primary Examiner—Ruth McInroy

(74) *Attorney, Agent, or Firm*—Cowan, Liebowitz & Latman, P.C.; Michael I. Wolfson

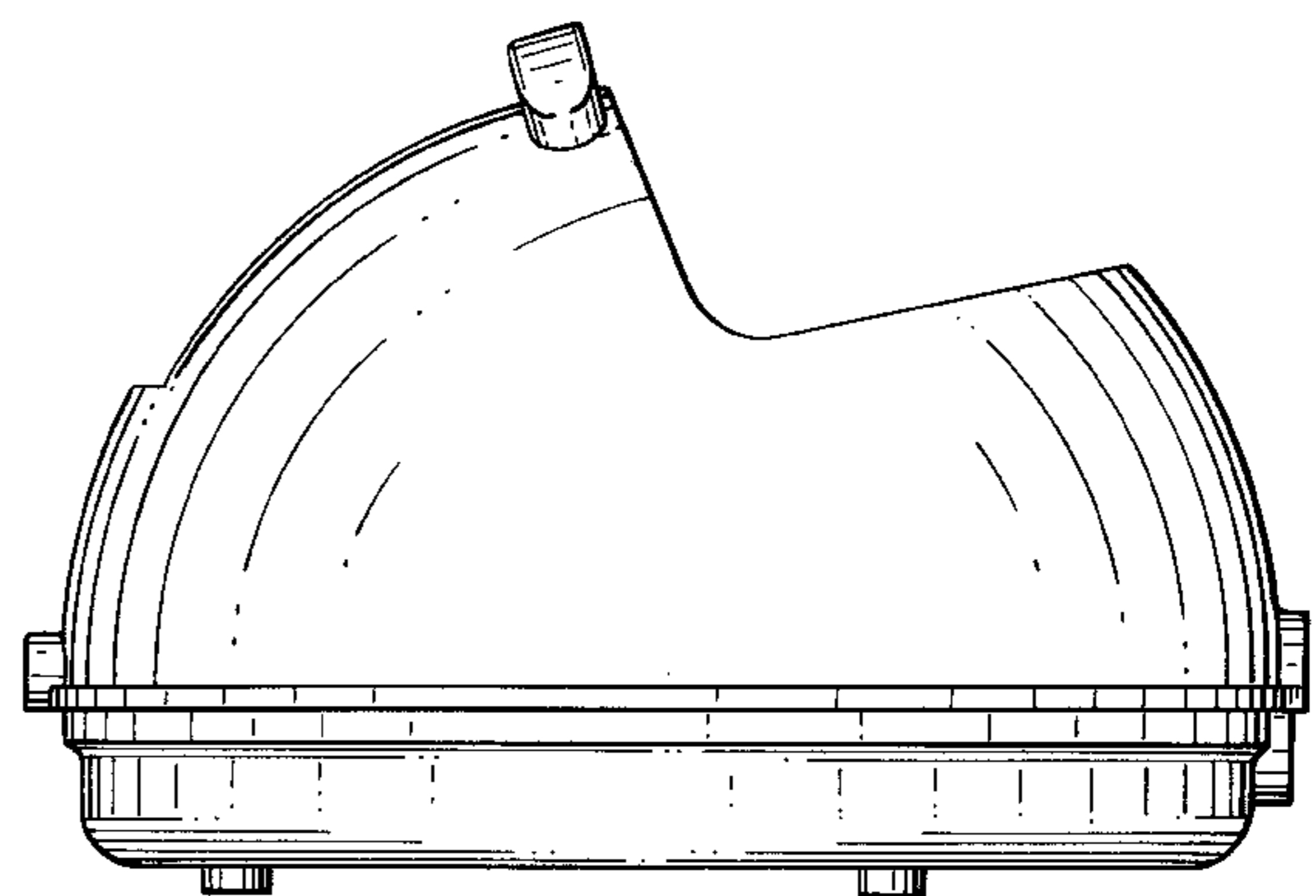
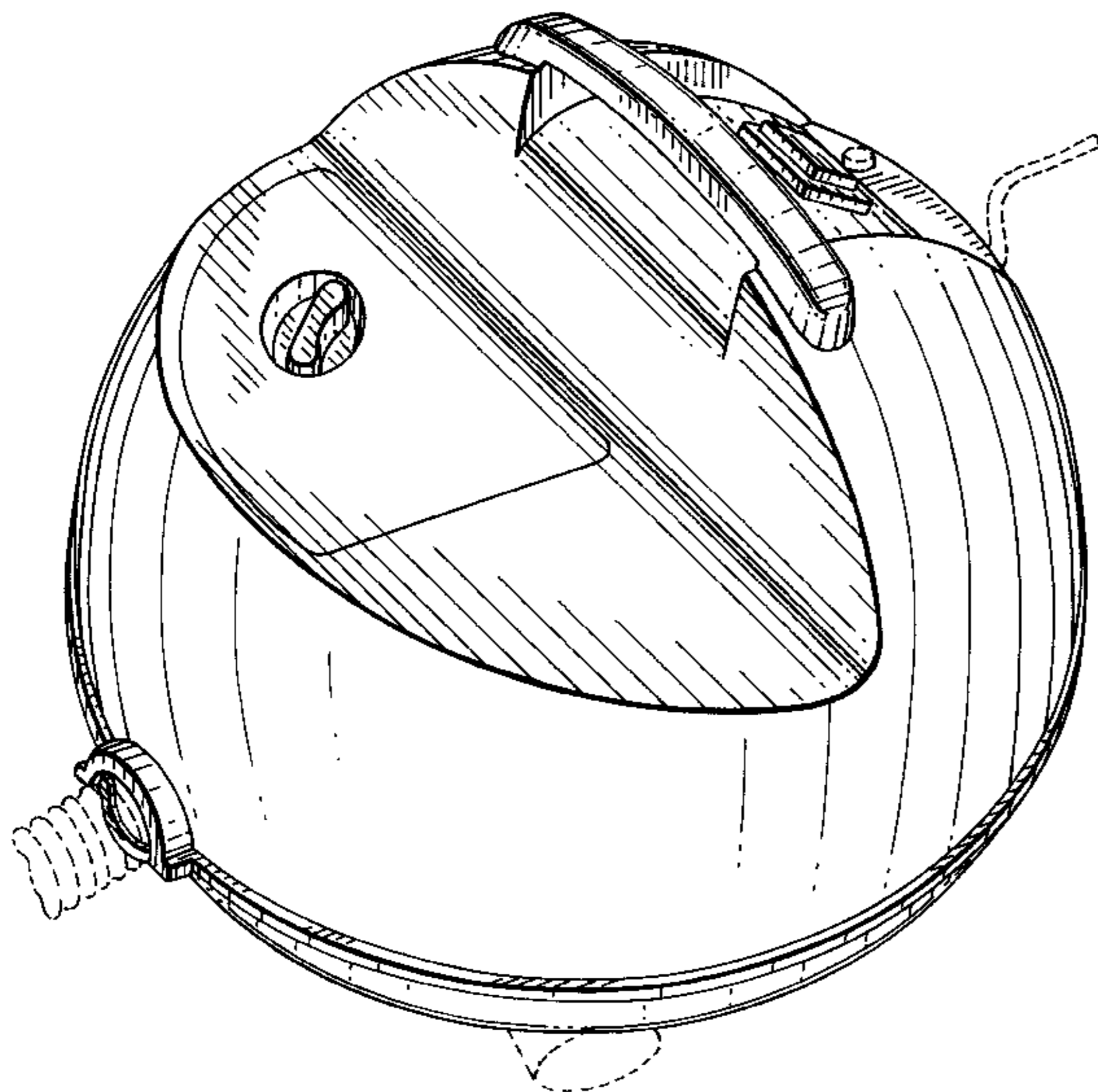
(57) **CLAIM**

The ornamental design for a steam generating canister, as shown.

DESCRIPTION

FIG. 1 is a front perspective view of a steam generating canister showing my new design; FIG. 2 is a top plan view thereof; FIG. 3 is a front elevational view thereof; FIG. 4 is a right side elevational view thereof, the left side being a mirror image; FIG. 5 is a rear elevational view thereof; and, FIG. 6 is a bottom plan view thereof. The details shown in broken lines in FIG. 1 are for illustrative purposes only and form no part of the claimed design.

1 Claim, 6 Drawing Sheets



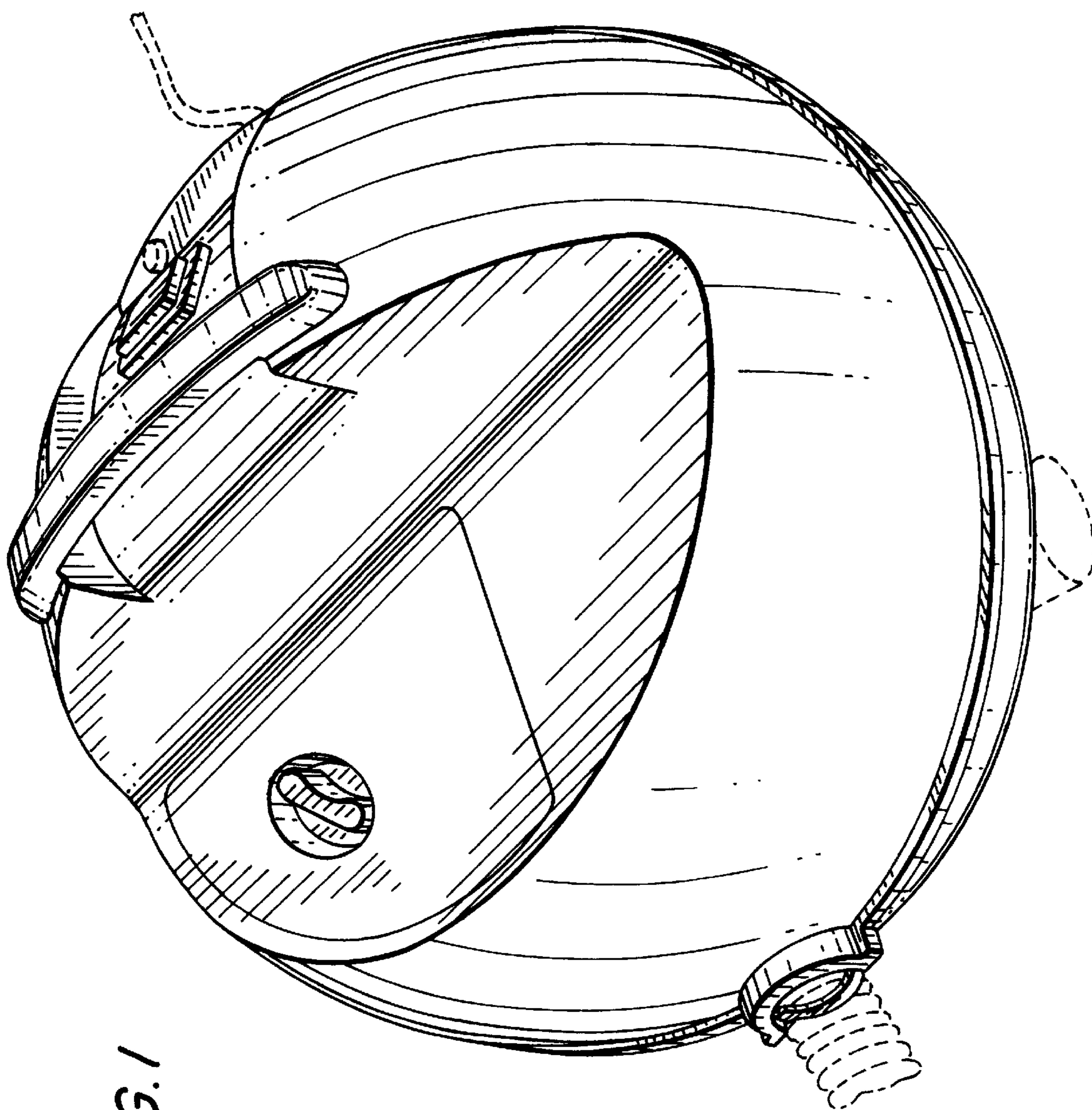


FIG. 1

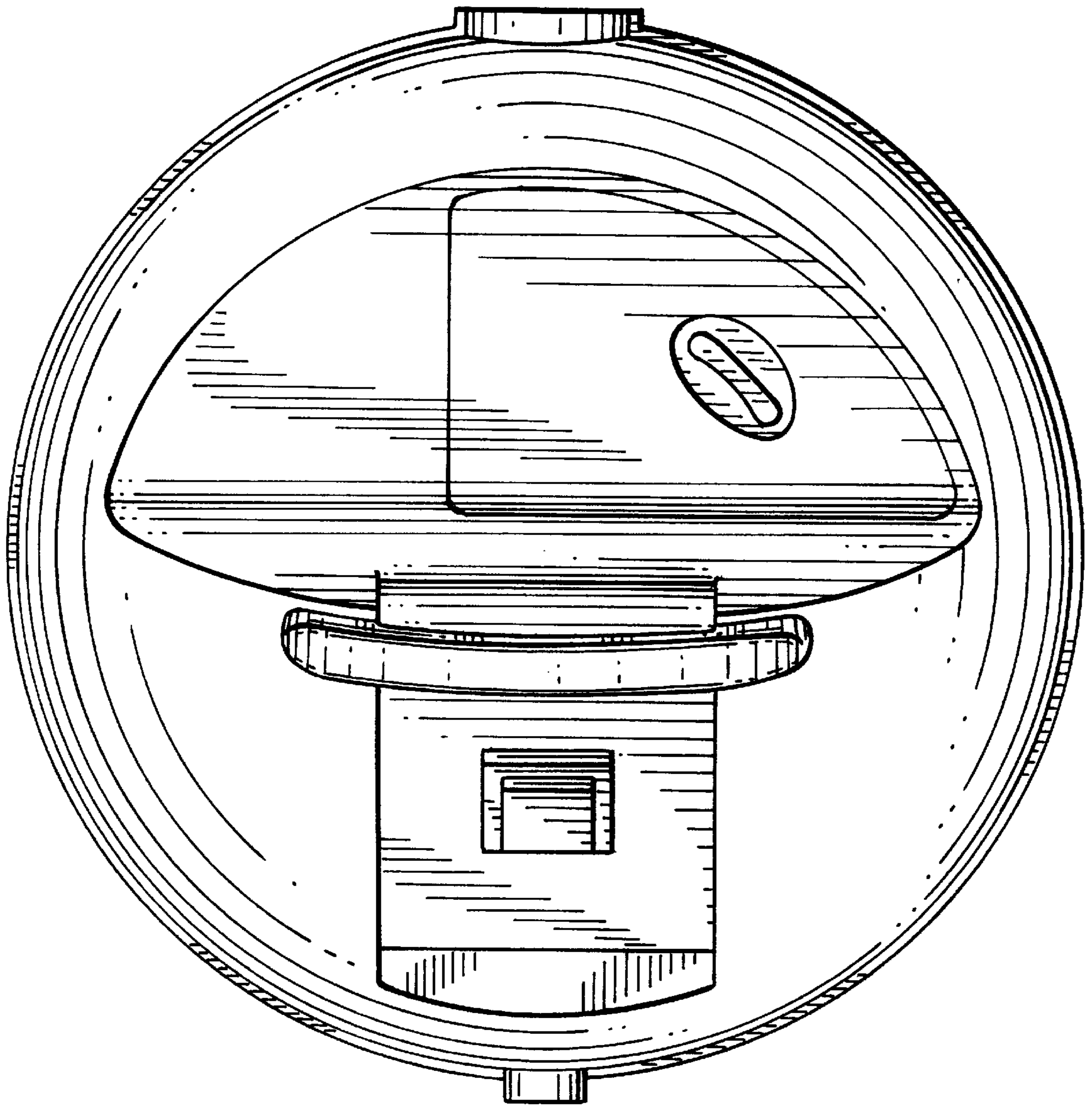


FIG. 2

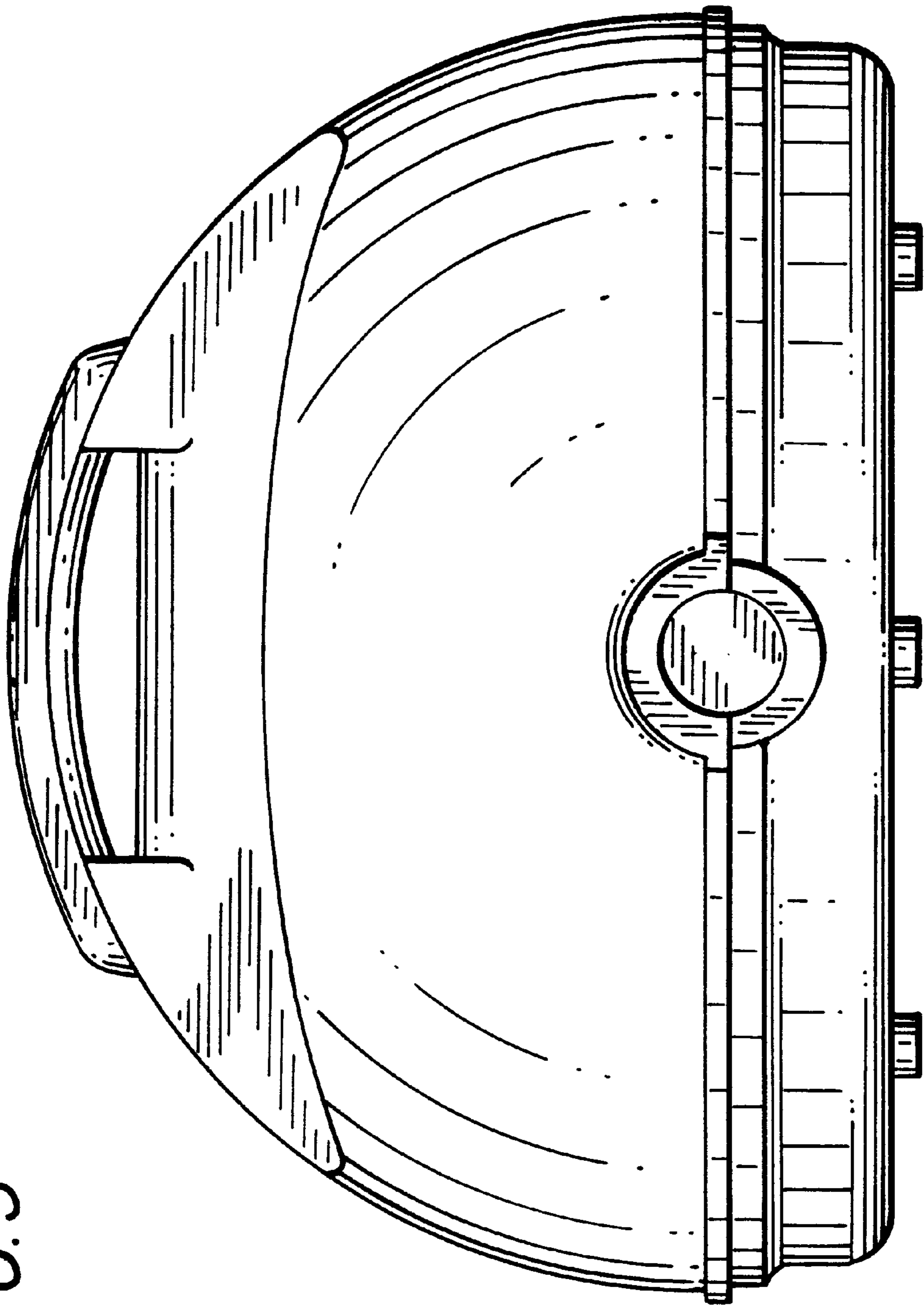
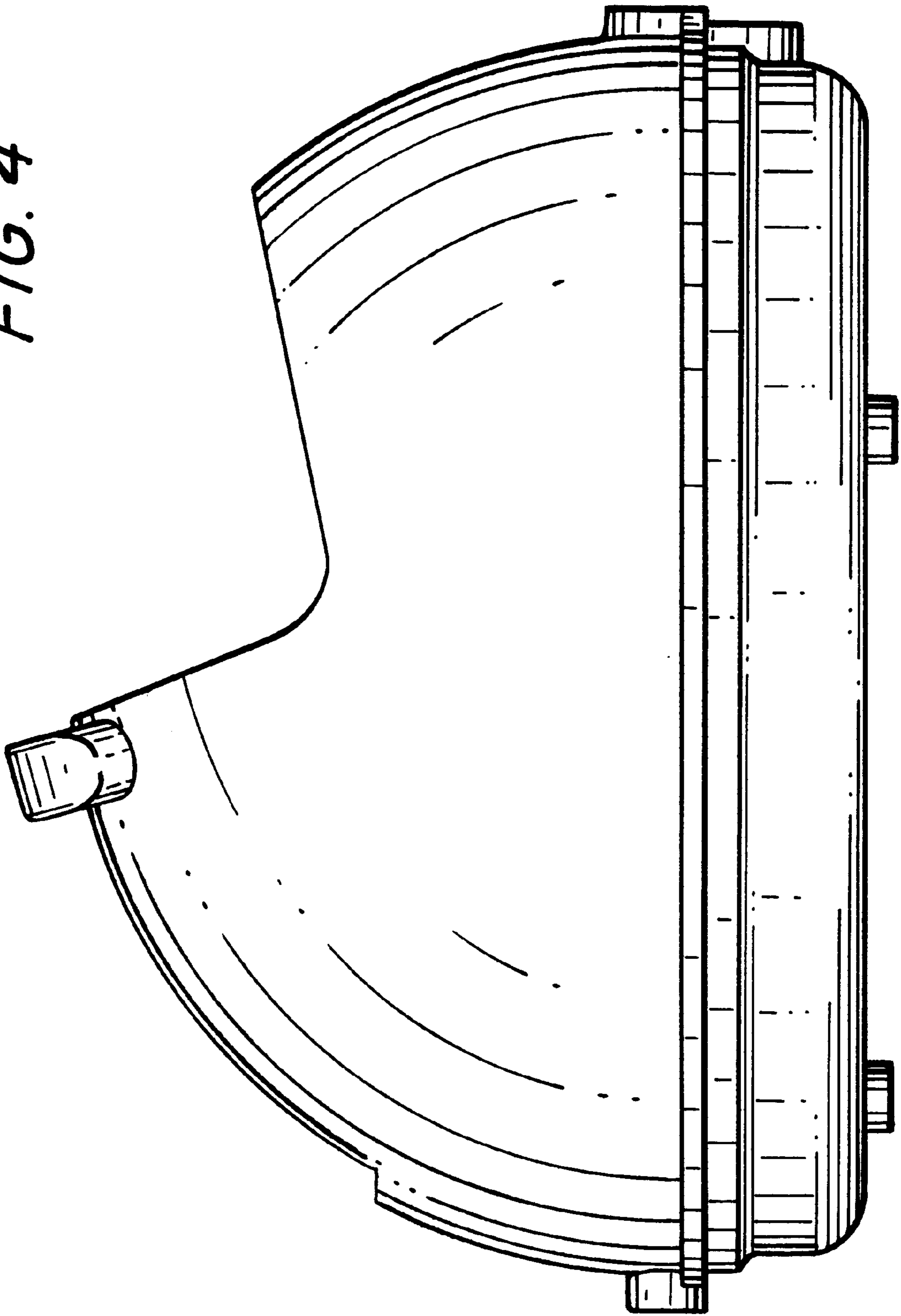


FIG. 3

FIG. 4



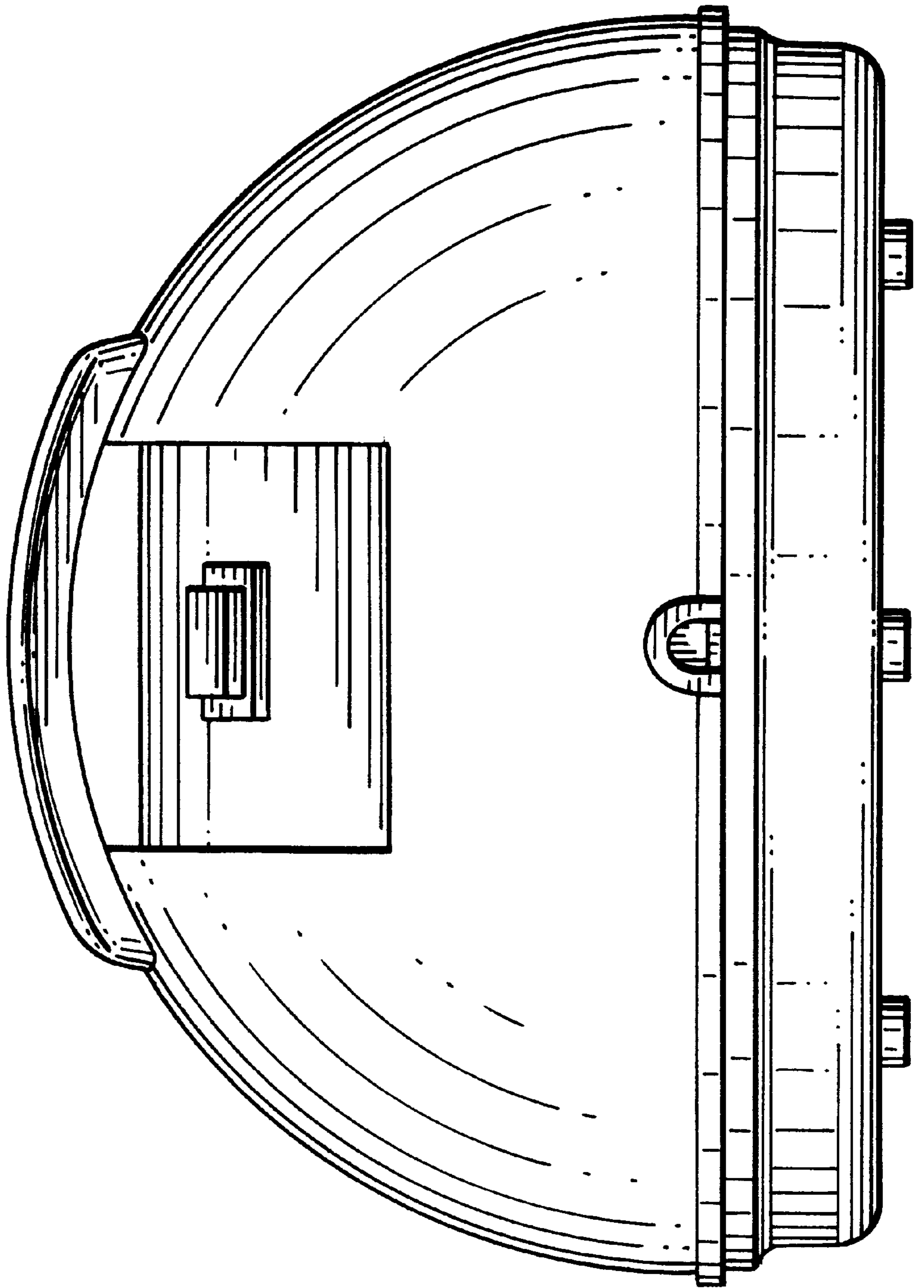


FIG. 5

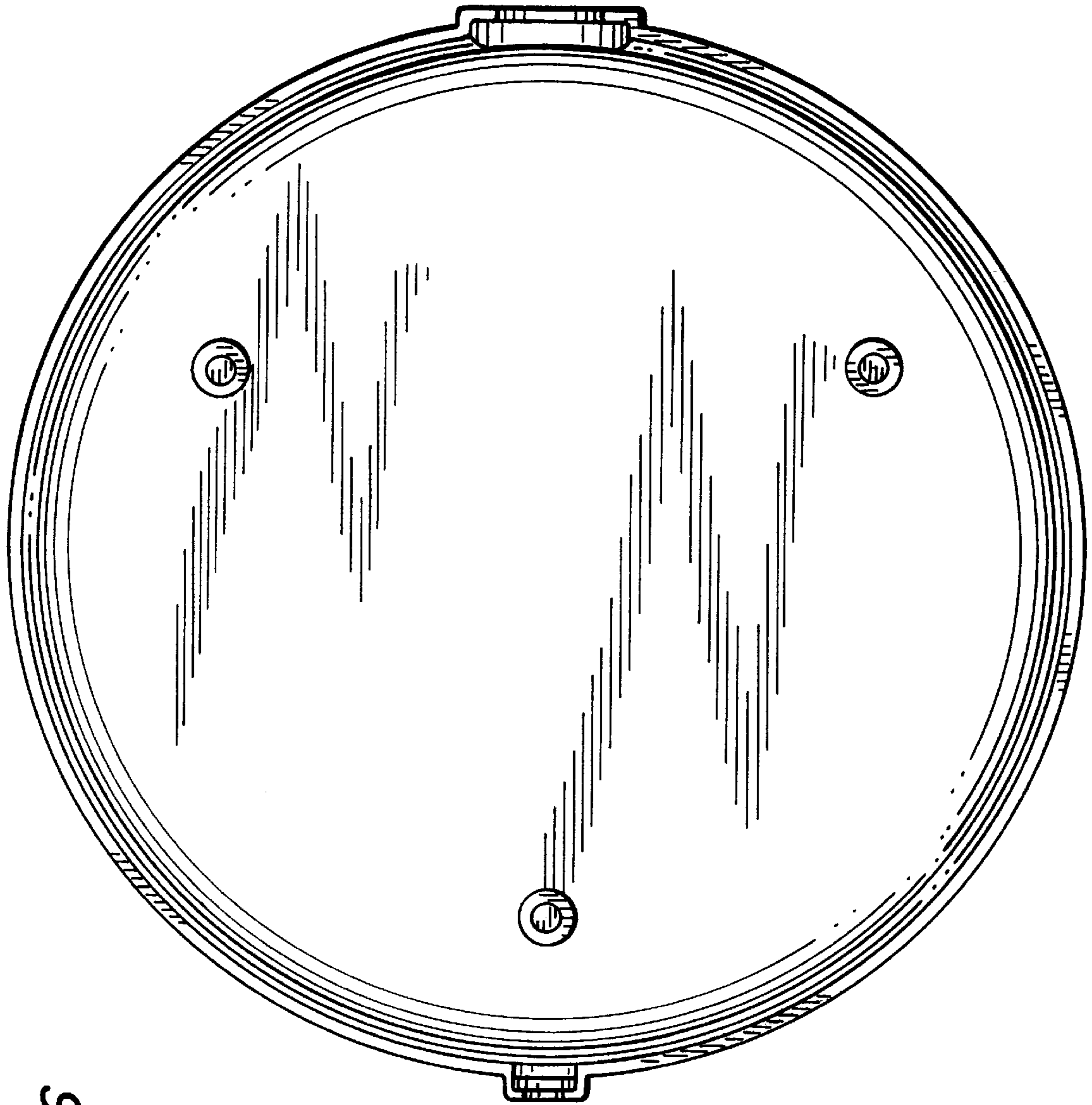


FIG. 6