



US00D463888S

(12) **United States Design Patent**  
**Rehkugler et al.**

(10) **Patent No.:** **US D463,888 S**

(45) **Date of Patent:** **\*\* Oct. 1, 2002**

(54) **HIGH PRESSURE CLEANING DEVICE**

(75) **Inventors:** **Rolf Rehkugler**, Stuttgart (DE); **Paulo Kolicheski**, Rancho Cucamonga, CA (US)

(73) **Assignee:** **Alfred Kaercher GmbH & Co.**, Winnenden (DE)

(\*\*) **Term:** **14 Years**

(21) **Appl. No.:** **29/127,881**

(22) **Filed:** **Aug. 11, 2000**

(51) **LOC (7) Cl.** ..... **15-05**

(52) **U.S. Cl.** ..... **D32/16; D32/1**

(58) **Field of Search** ..... D32/1, 4, 15, 16, D32/17, 18, 21, 25; 239/146, 147, 148, 149, 273, 375, 525, 532, 722; 134/103.2; D15/9; 15/320, 340.1, 340.2; 417/360, 364

(56) **References Cited**

**U.S. PATENT DOCUMENTS**

D204,365 S	*	4/1966	Trombetta	.....	D32/1
3,675,851 A	*	7/1972	Merfeld et al.	.....	239/318
3,940,065 A	*	2/1976	Ware et al.	.....	239/146
D239,048 S	*	3/1976	Hewett	.....	D32/1
D273,431 S	*	4/1984	Linton	.....	D32/15

4,865,255 A	*	9/1989	Luvisotto	.....	239/149
5,213,480 A	*	5/1993	Yedinak et al.	.....	417/234
D341,008 S	*	11/1993	Berfeld et al.	.....	D32/1
D420,773 S	*	2/2000	Ertl et al.	.....	D32/16
6,070,808 A	*	6/2000	Kildow	.....	239/146
6,279,838 B1	*	8/2001	Sivells et al.	.....	239/146

**OTHER PUBLICATIONS**

Alfred Kärcher GmbH & Co., brochure entitled "Reinigen mit System—für Haus, Gewerbe und Industrie", Programm 1997, p. 16 HD 2000 Super. (3 pages).

\* cited by examiner

*Primary Examiner*—Martie K. Holtje

(74) *Attorney, Agent, or Firm*—Barry R. Lipsitz

(57) **CLAIM**

The ornamental design for a high pressure cleaning device, as shown and described.

**DESCRIPTION**

FIG. 1 is a front, top and left side perspective view showing our new design;

FIG. 2 is a front elevational view of the design;

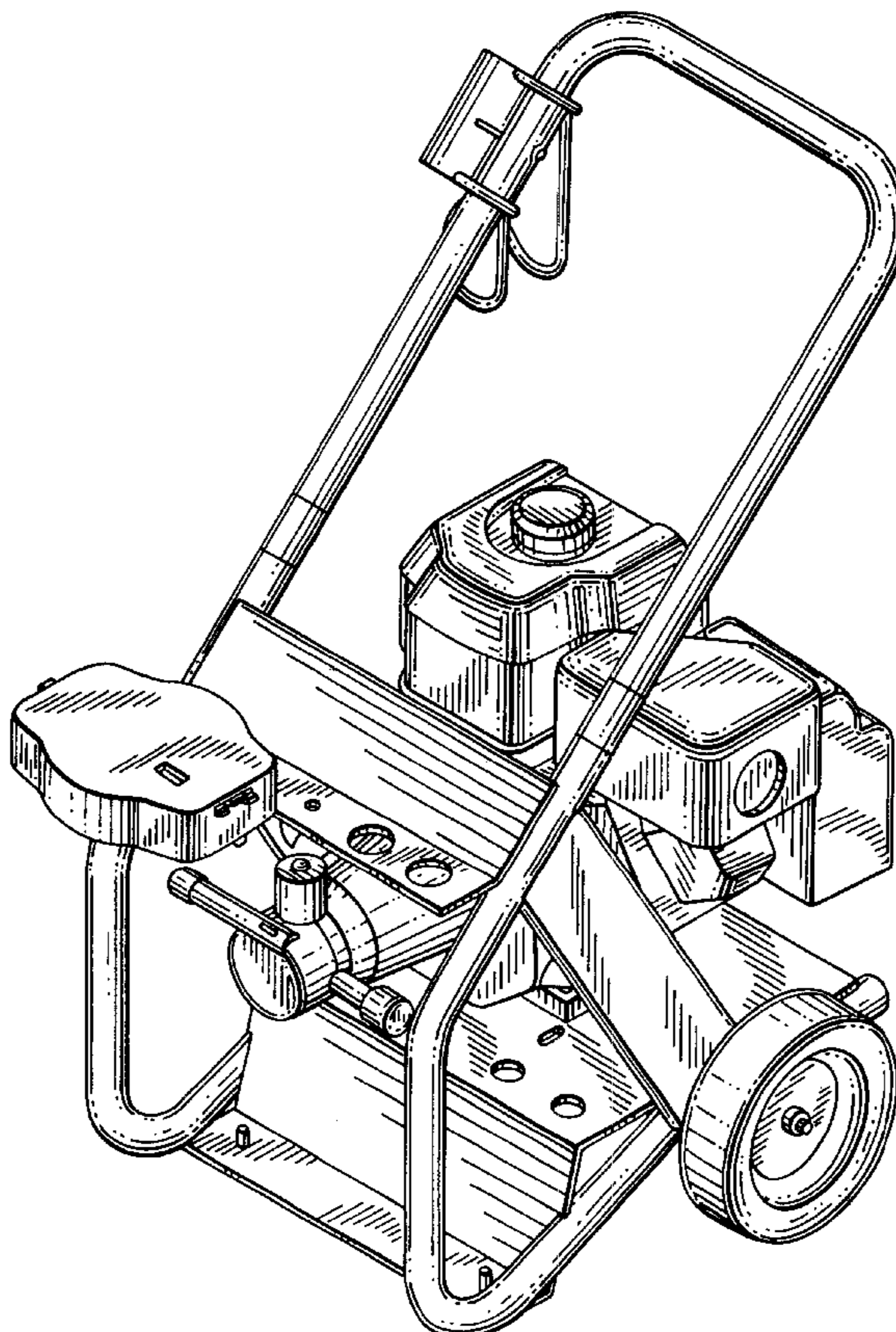
FIG. 3 is a top plan view of the design;

FIG. 4 is a right side elevational view of the design;

FIG. 5 is a left side elevational view of the design; and,

FIG. 6 is a rear elevational view of the design.

**1 Claim, 6 Drawing Sheets**



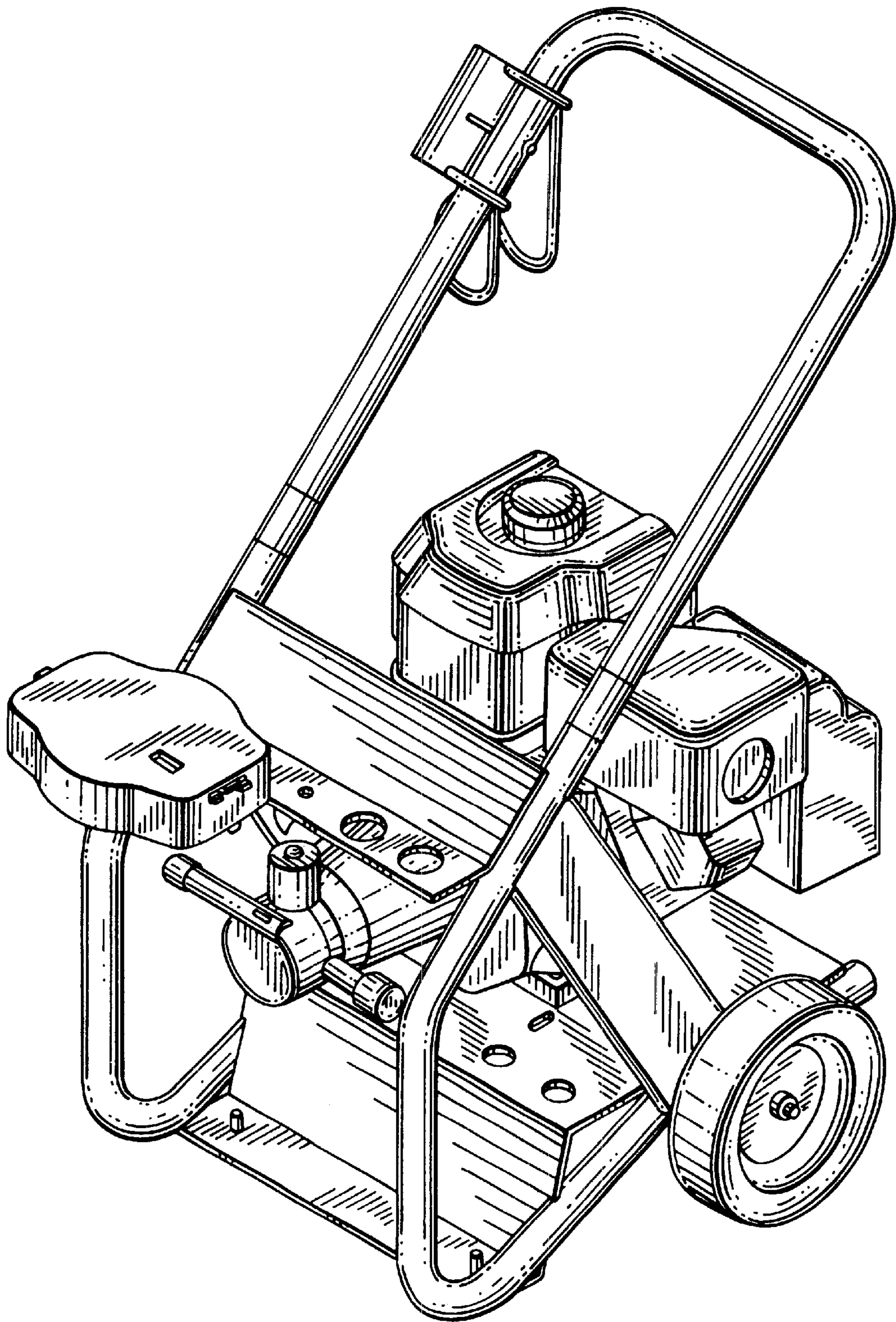


FIG. 1

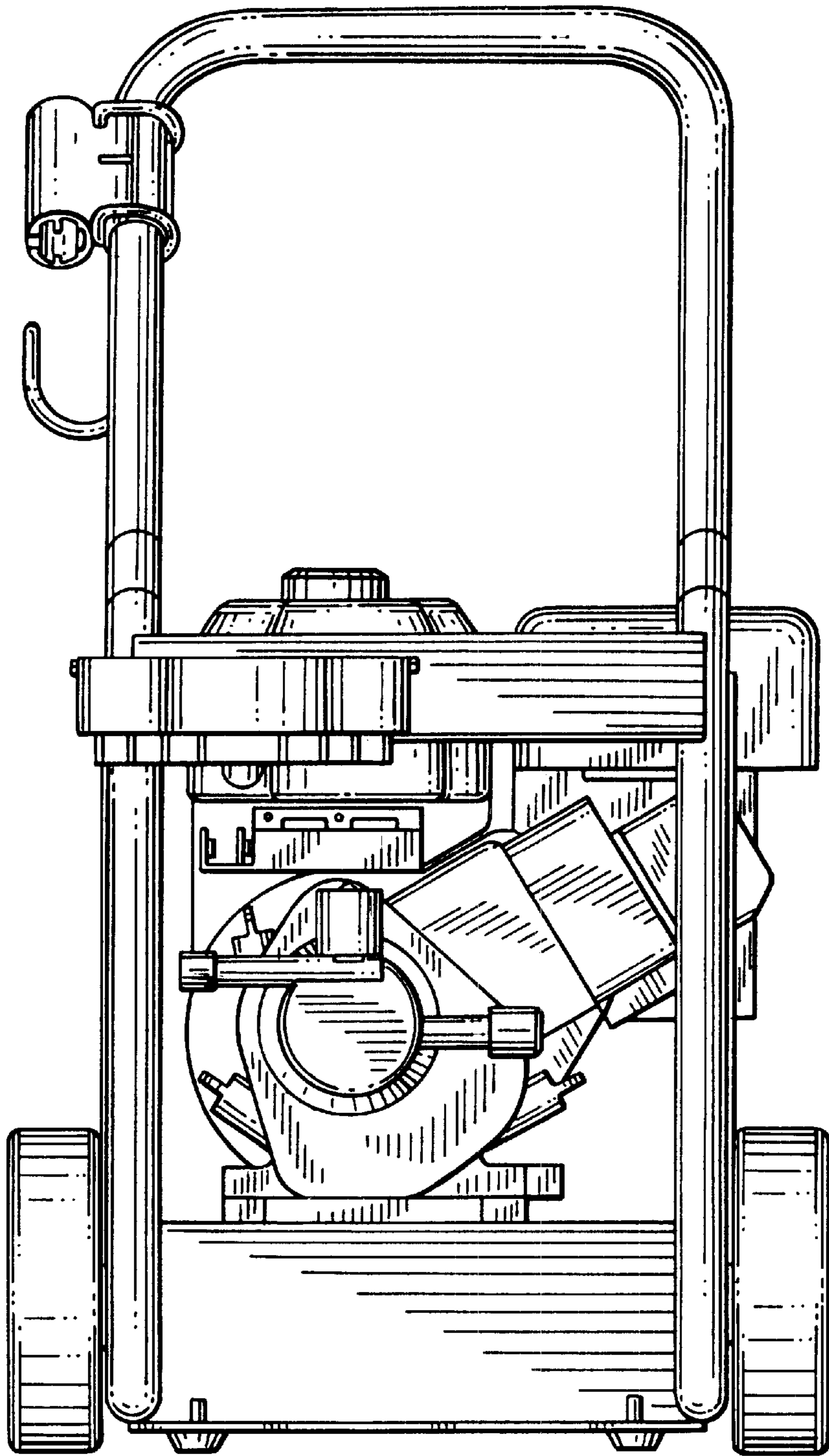
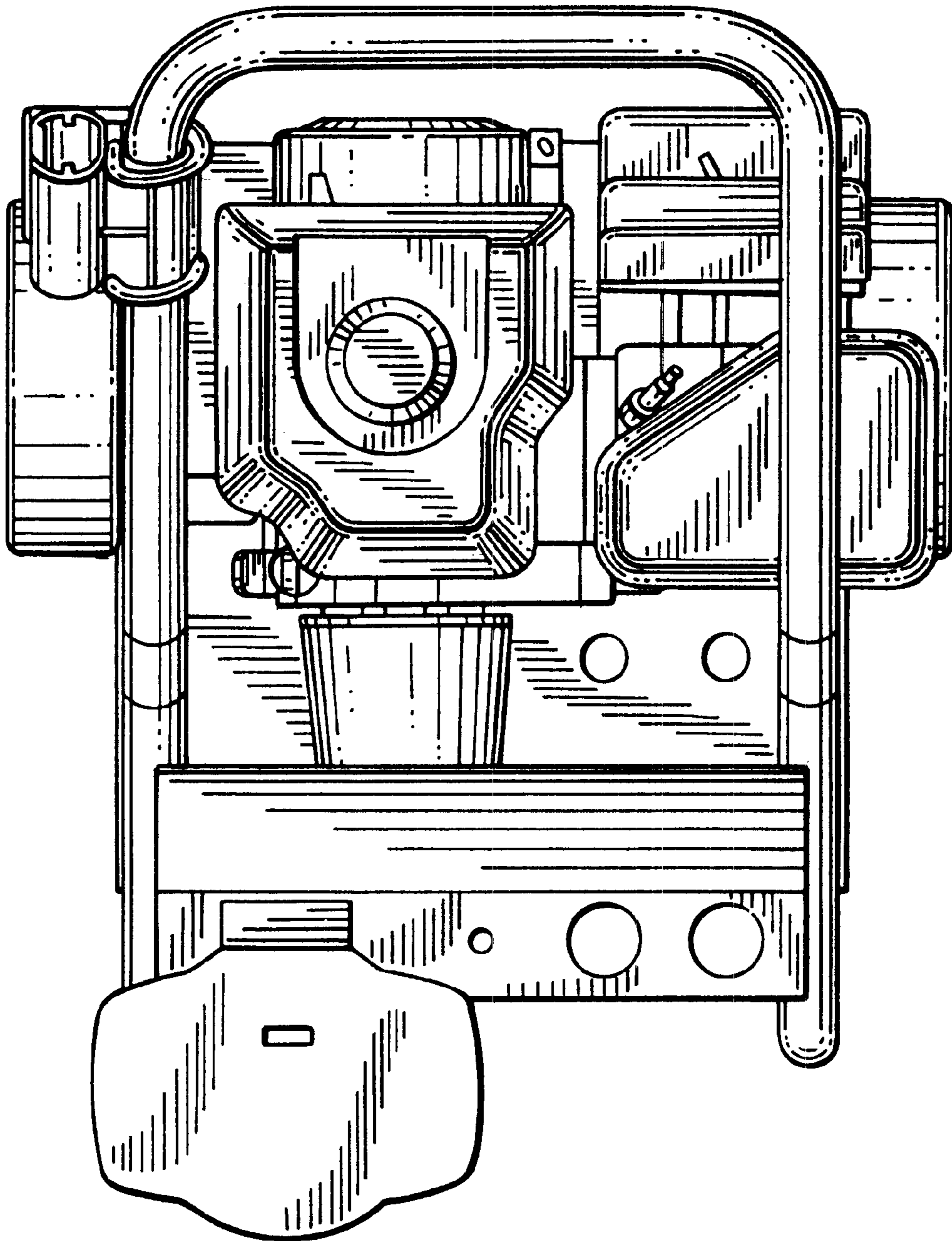


FIG. 2

FIG. 3



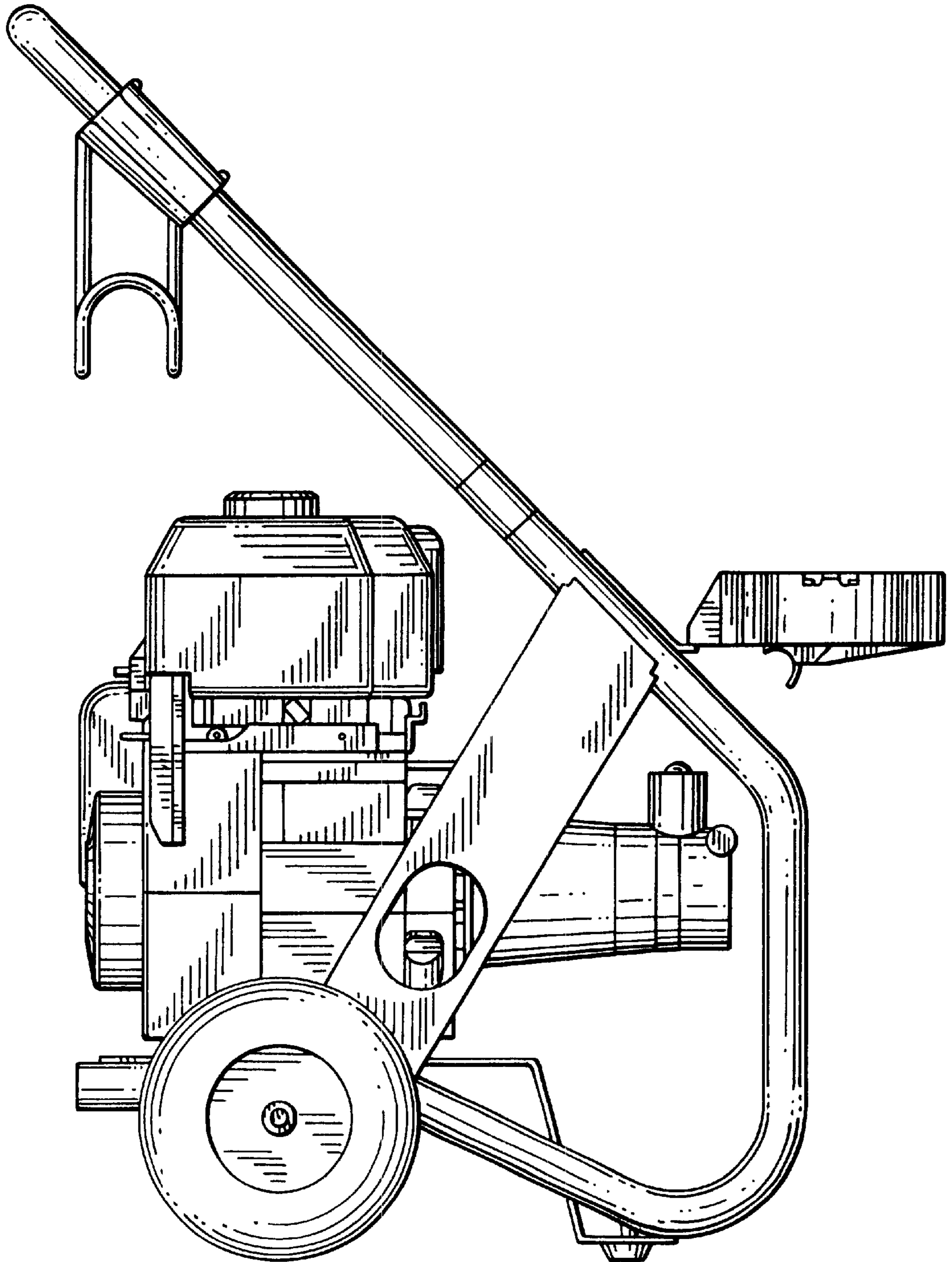


FIG. 4

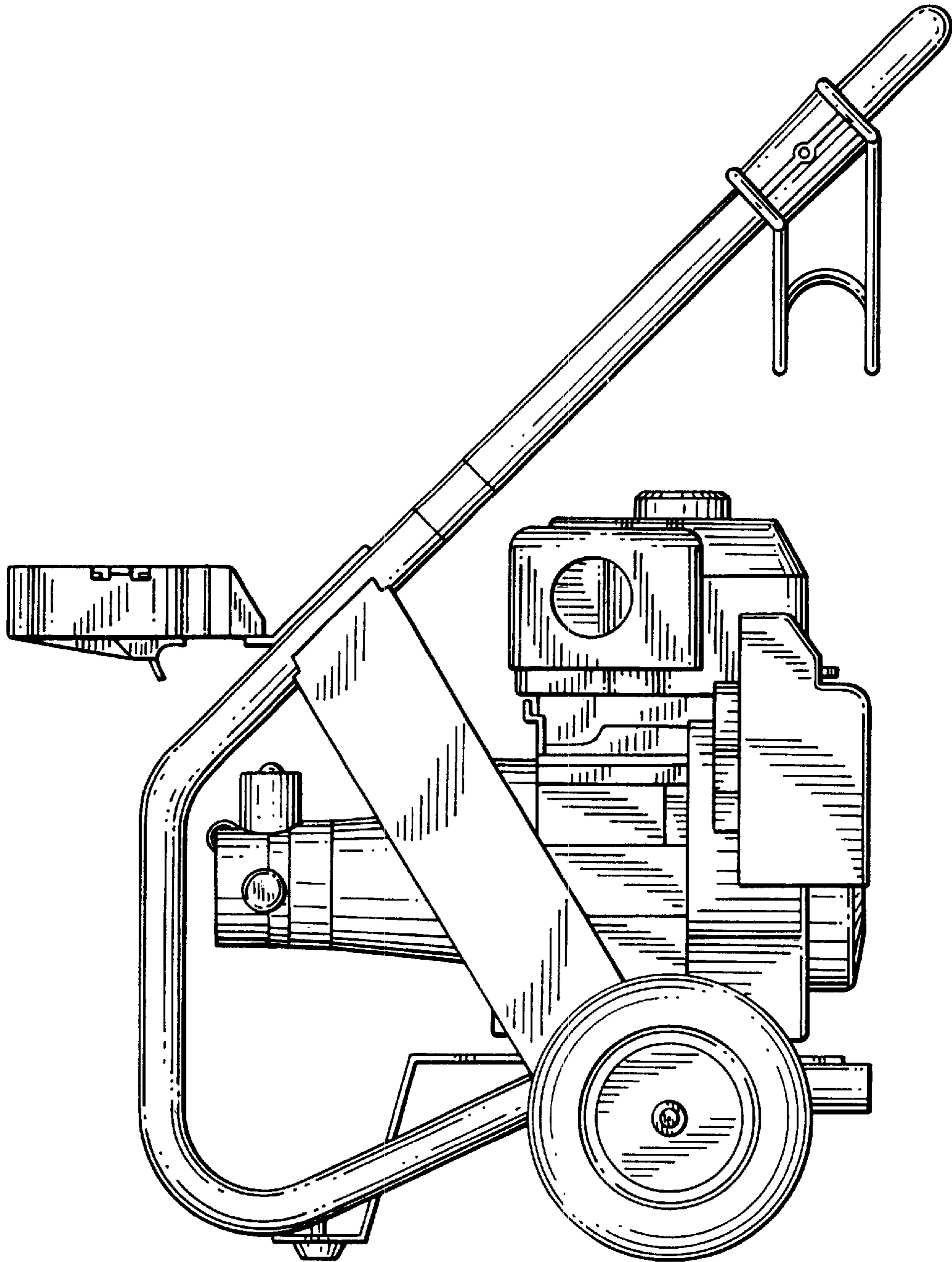


FIG. 5

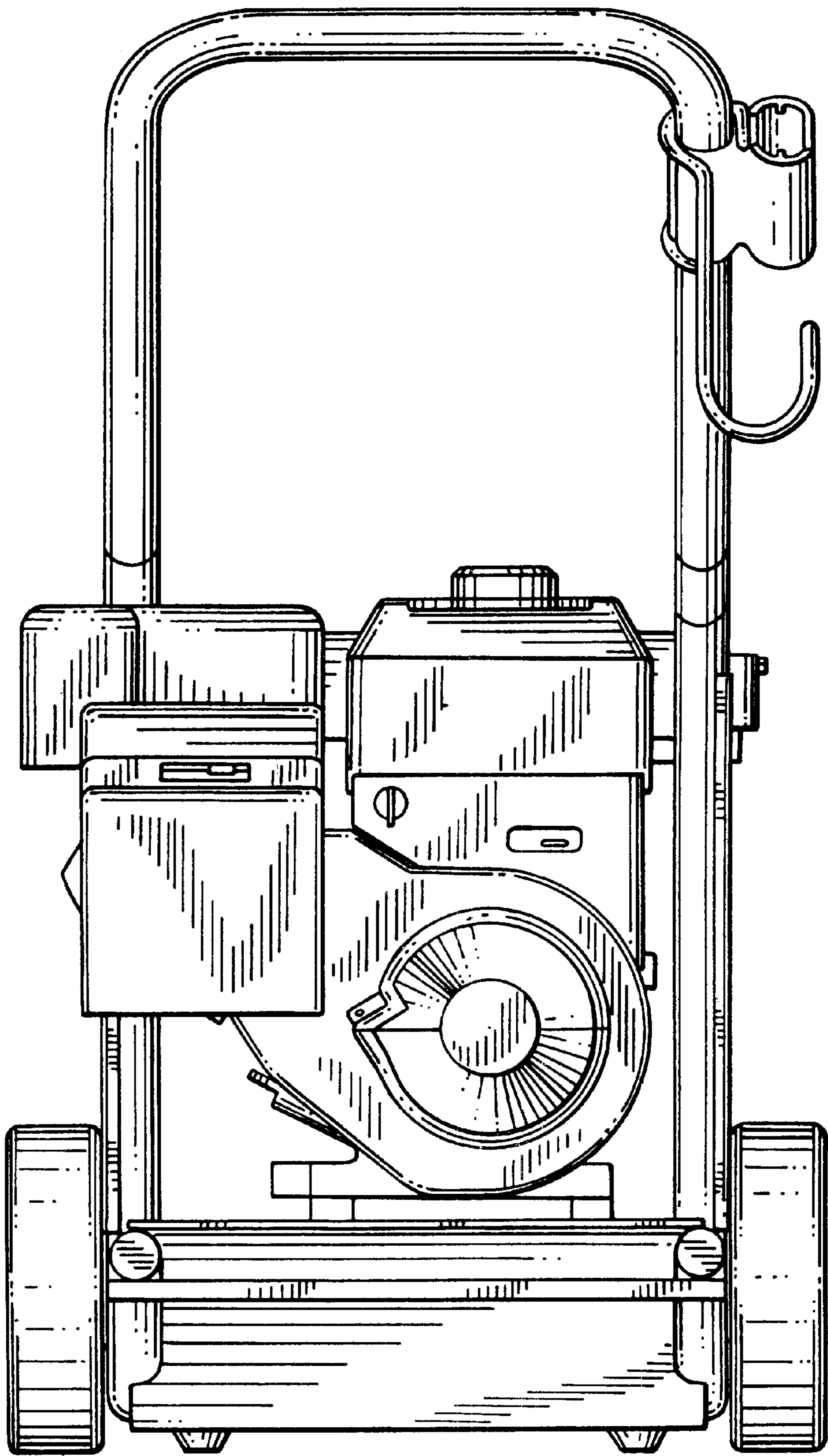


FIG. 6