



US00D463882S

(12) **United States Design Patent**
Kim

(10) **Patent No.:** **US D463,882 S**

(45) **Date of Patent:** **** Oct. 1, 2002**

(54) **CIGARETTE LIGHTER**

(75) Inventor: **Young Cheon Kim**, Incheon (KR)

(73) Assignee: **Colibri Corporation**, Providence, RI (US)

(**) Term: **14 Years**

(21) Appl. No.: **29/153,239**

(22) Filed: **Jan. 4, 2002**

(51) **LOC (7) Cl.** **27-05**

(52) **U.S. Cl.** **D27/157**

(58) **Field of Search** D27/141, 148,
D27/152-155, 157, 159, 160; 431/129,
130, 132, 142-144, 151, 253-256, 267,
273, 274, 277

(56) **References Cited**

U.S. PATENT DOCUMENTS

5,531,591 A * 7/1996 Yamazaki 431/129
D454,222 S * 3/2002 Park D27/157

* cited by examiner

Primary Examiner—Jennifer Rivard
(74) *Attorney, Agent, or Firm*—Salter & Michaelson

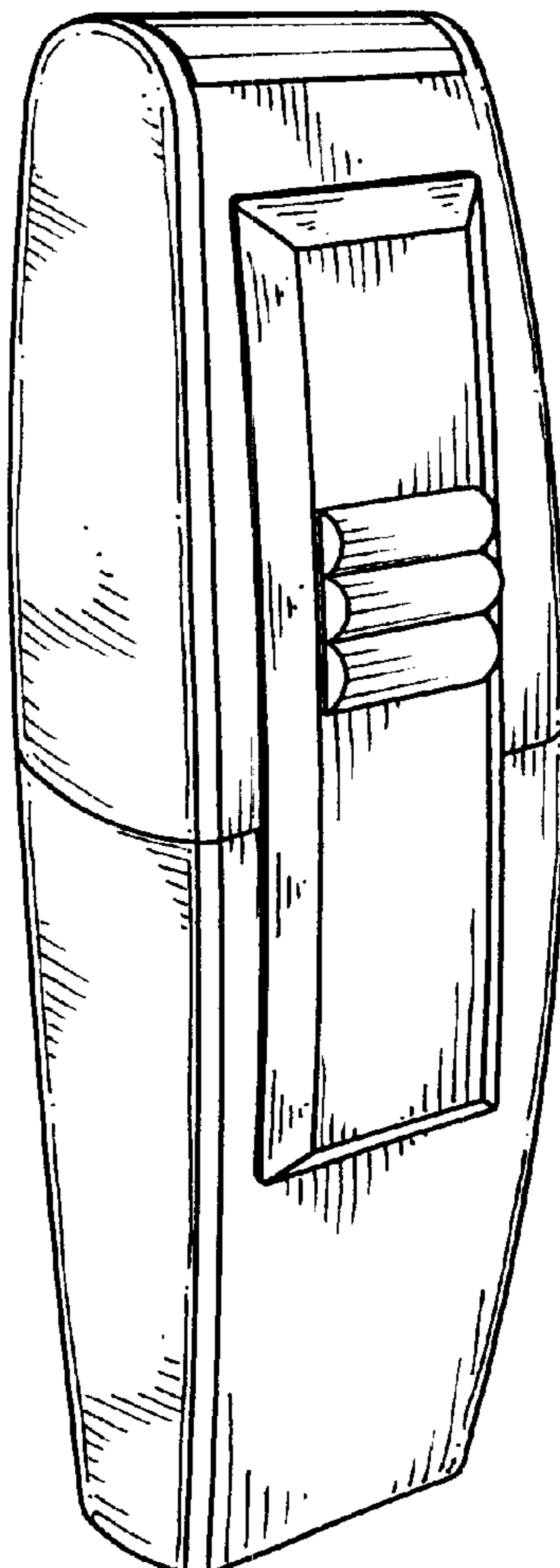
(57) **CLAIM**

The ornamental design for a cigarette lighter, as shown and described.

DESCRIPTION

FIG. 1 is a perspective view of a cigarette lighter showing my new design;
FIG. 2 is a front elevational view thereof;
FIG. 3 is a rear elevational view thereof;
FIG. 4 is a top plan view thereof;
FIG. 5 is a bottom plan view thereof;
FIG. 6 is a left end view thereof;
FIG. 7 is a right end view thereof; and
FIG. 8 is a perspective view showing the cigarette lighter in its operative mode with the top cover in its open position;
FIG. 9 is a side elevational view of the lighter shown in FIG. 8; and,
FIG. 10 is a top plan view thereof.

1 Claim, 5 Drawing Sheets



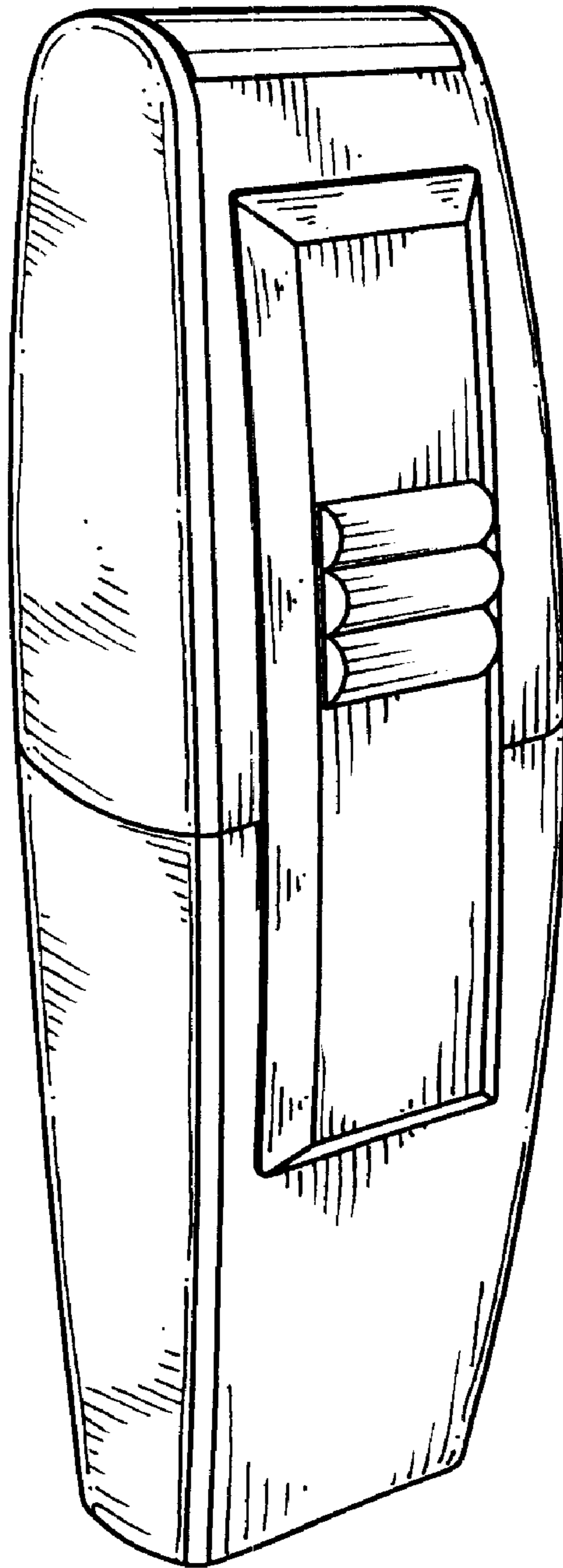


FIG. 1

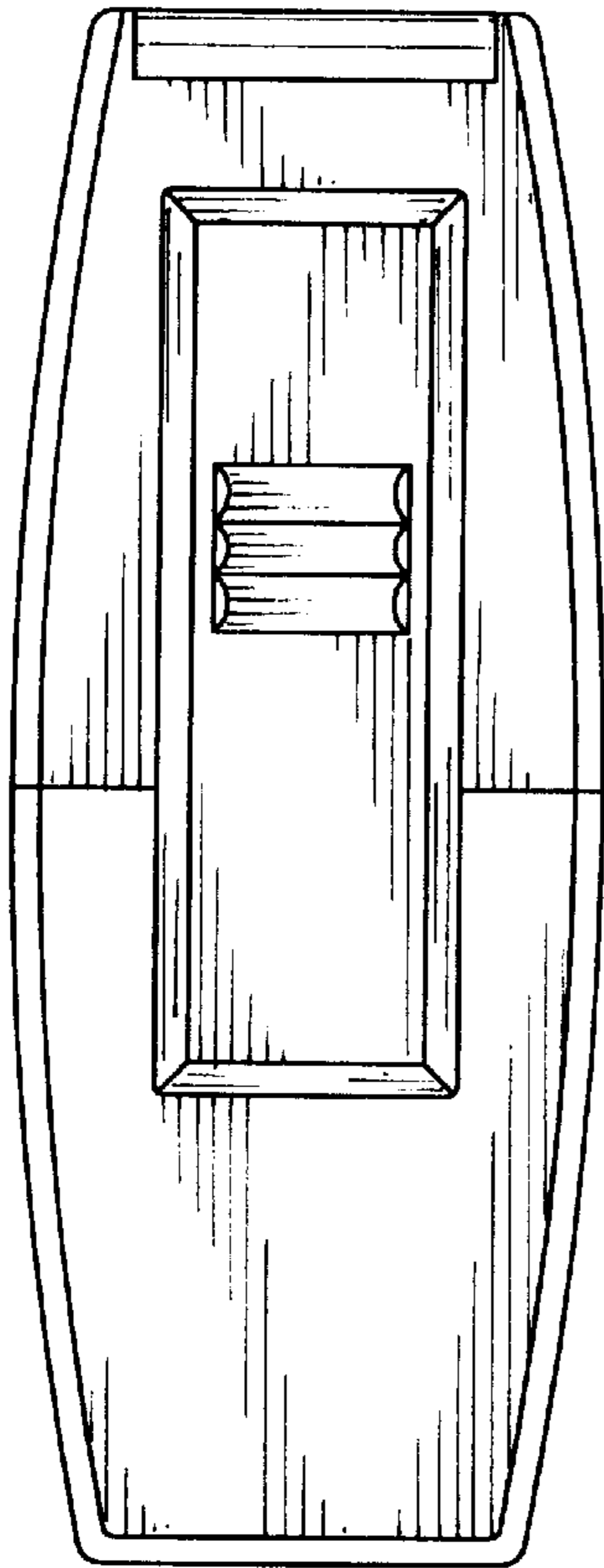


FIG. 2

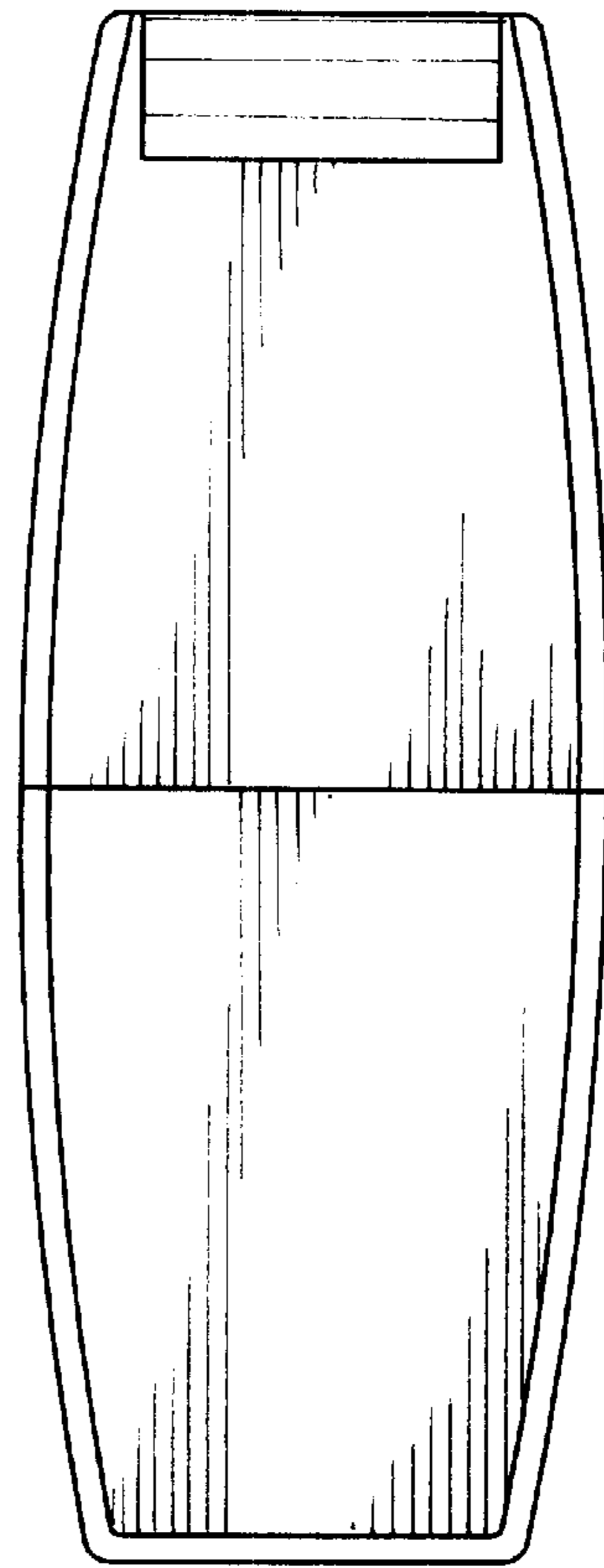


FIG. 3

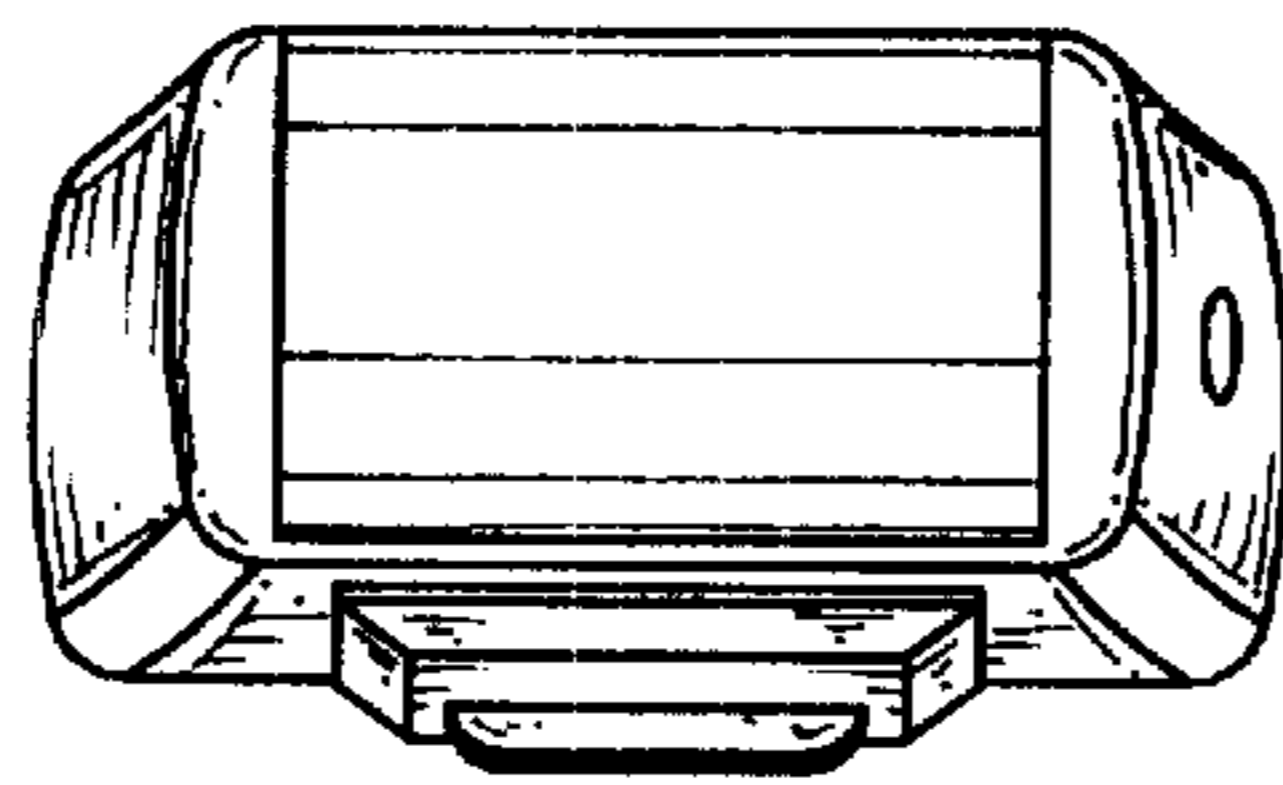


FIG. 4

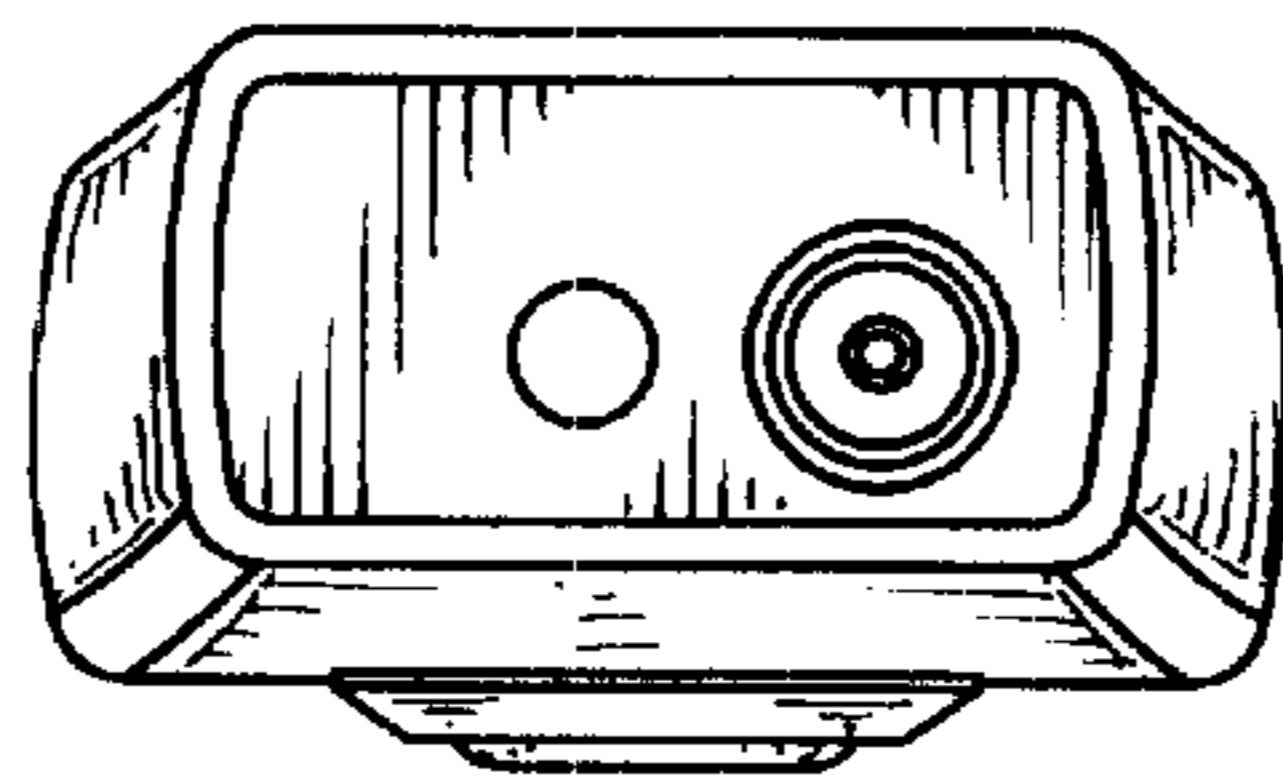


FIG. 5

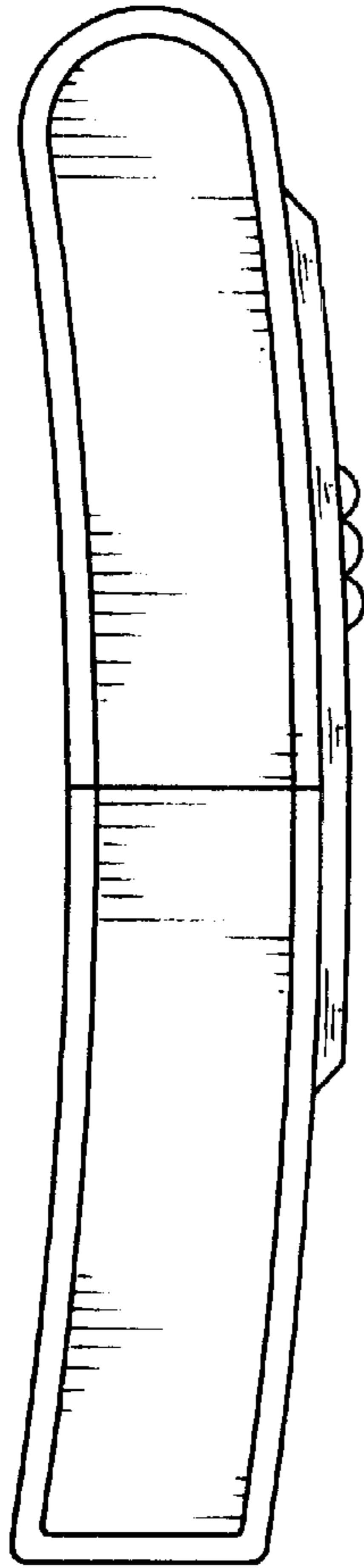


FIG. 6

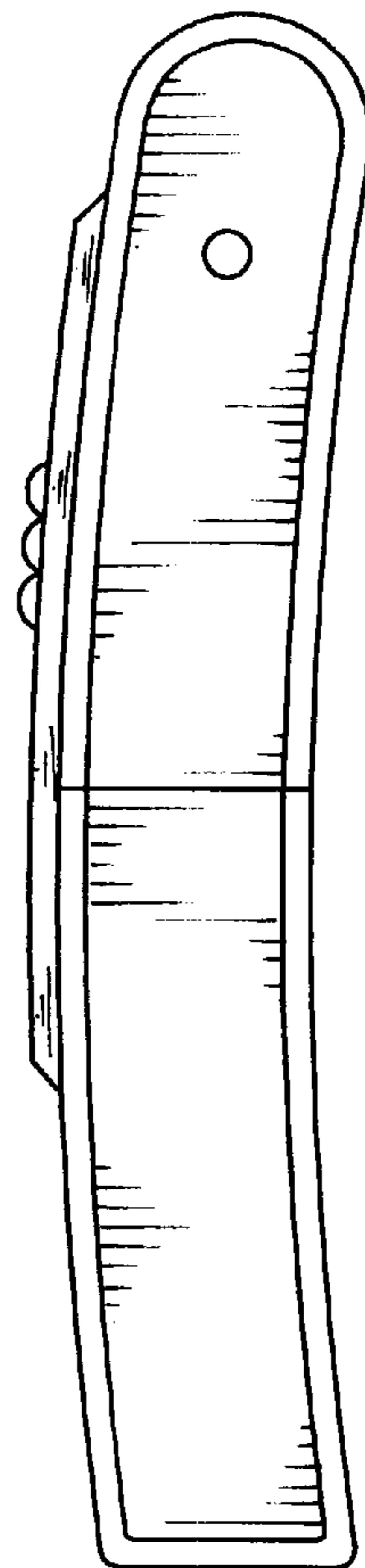


FIG. 7

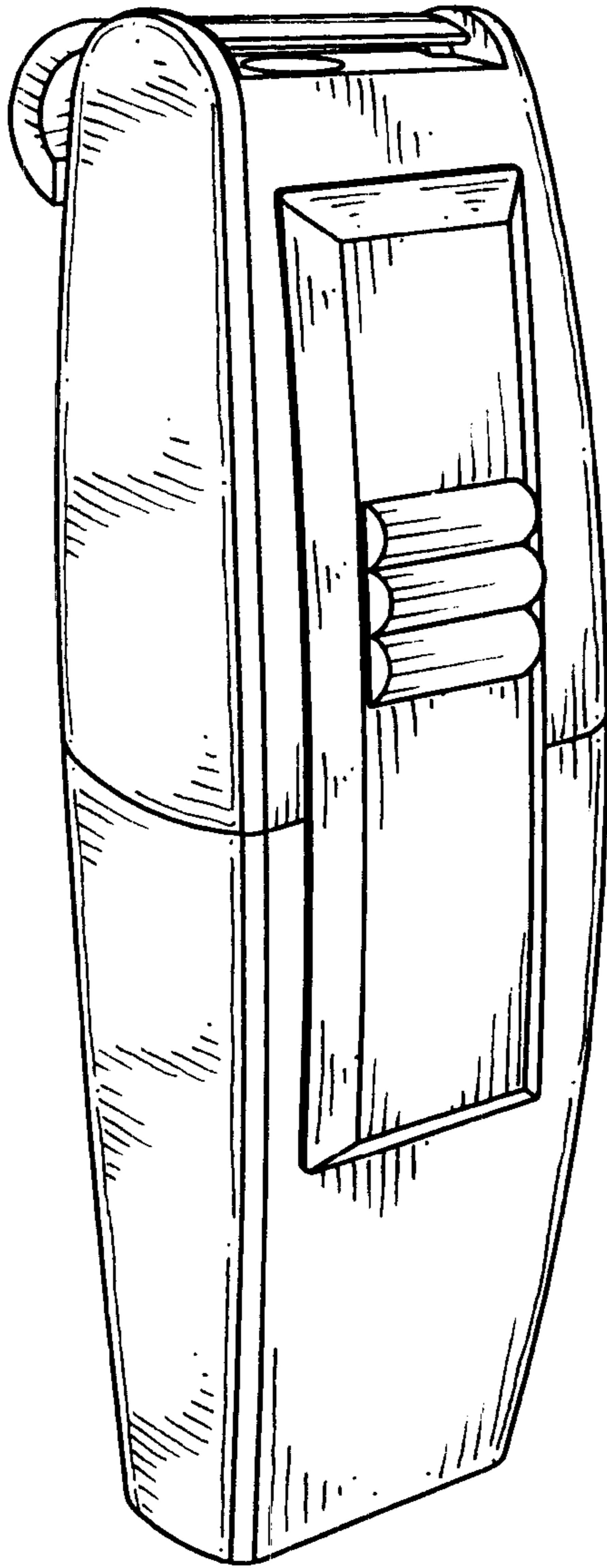


FIG. 8

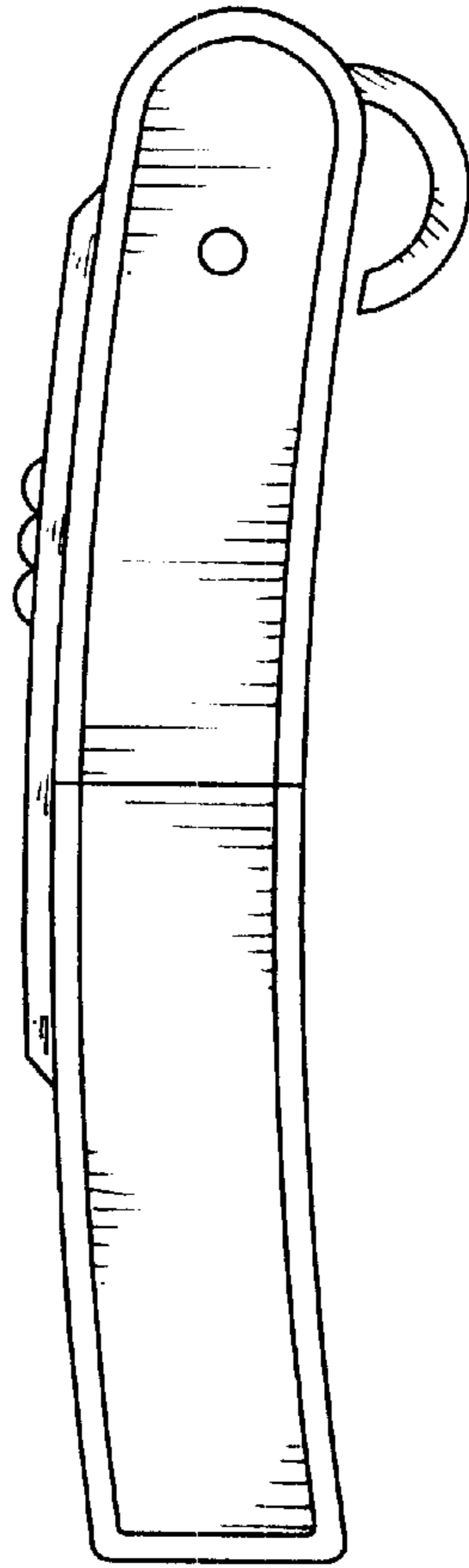


FIG. 9

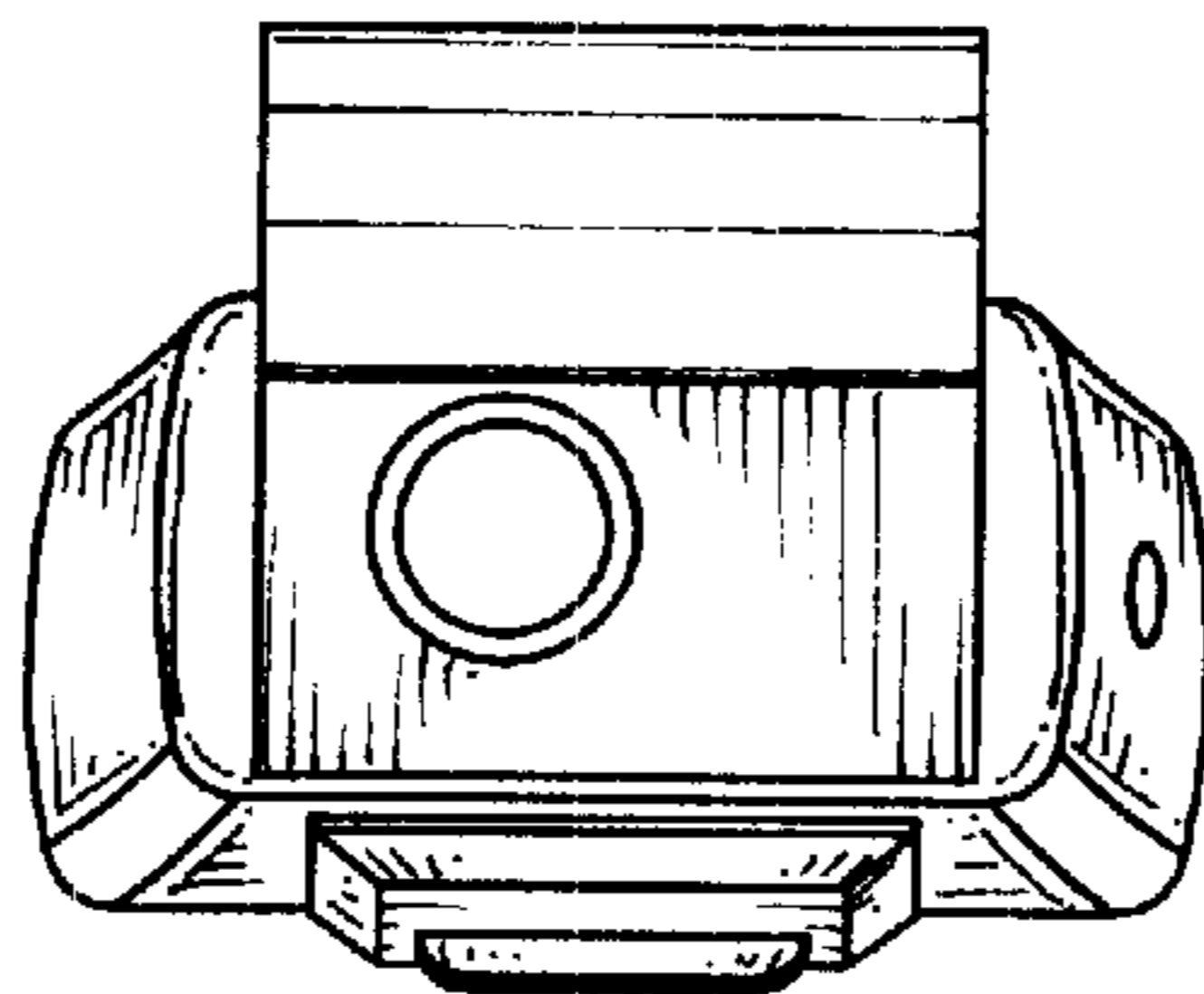


FIG. 10