



US00D463879S

(12) **United States Design Patent** (10) **Patent No.:** **US D463,879 S**
Mier-Langner et al. (45) **Date of Patent:** **** Oct. 1, 2002**

(54) **LUMINAIRE HOUSING**

(75) Inventors: **Alejandro Mier-Langner**, Providence, RI (US); **Robert Scott Gosnell**, Weymouth, MA (US); **James Edward Kuchar**, Fall River, MA (US)

(73) Assignee: **Genlyte Thomas Group LLC**, Louisville, KY (US)

(**) Term: **14 Years**

(21) Appl. No.: **29/154,377**

(22) Filed: **Jan. 22, 2002**

(51) **LOC (7) Cl.** **26-03**

(52) **U.S. Cl.** **D26/77**

(58) **Field of Search** D26/72, 75-78; 362/147, 404-408, 432, 217-223

(56) **References Cited**

U.S. PATENT DOCUMENTS

- D115,014 S * 5/1939 Waltman
- 2,287,565 A * 6/1942 Phillips
- 2,433,819 A * 12/1947 Scribner
- 5,003,445 A * 3/1991 Burn et al. 362/284
- D329,919 S * 9/1992 Jahn D26/77

OTHER PUBLICATIONS

Illuminotecnica Nov. 1997; p. 185; "Area" fixture.*

* cited by examiner

Primary Examiner—Alan P. Douglas

Assistant Examiner—Clare E. Heflin

(74) *Attorney, Agent, or Firm*—Jeffrey A. Haeblerlin; Middleton Reutlinger

(57) **CLAIM**

The ornamental design for a luminaire housing, as shown and described.

DESCRIPTION

FIG. 1 is a perspective view of a luminaire housing showing our design;

FIG. 2 is a front elevational view thereof, where the view of the rear is a mirror image of this view and, therefore, has been omitted;

FIG. 3 is a bottom plan view thereof;

FIG. 4 is an enlarged side elevational view thereof, where the opposite side elevational view is a mirror image of this view, and, therefore, has been omitted;

FIG. 5 is a side elevational view of another embodiment of the luminaire housing of our design, wherein the length of the housing has been extended; and,

FIG. 6 is a side elevational view of yet another embodiment of the luminaire housing of our design, wherein the length of the housing has been extended an even greater amount.

The broken line showing of environmental structure is for illustrative purposes only and forms no part of the claimed design.

1 Claim, 6 Drawing Sheets

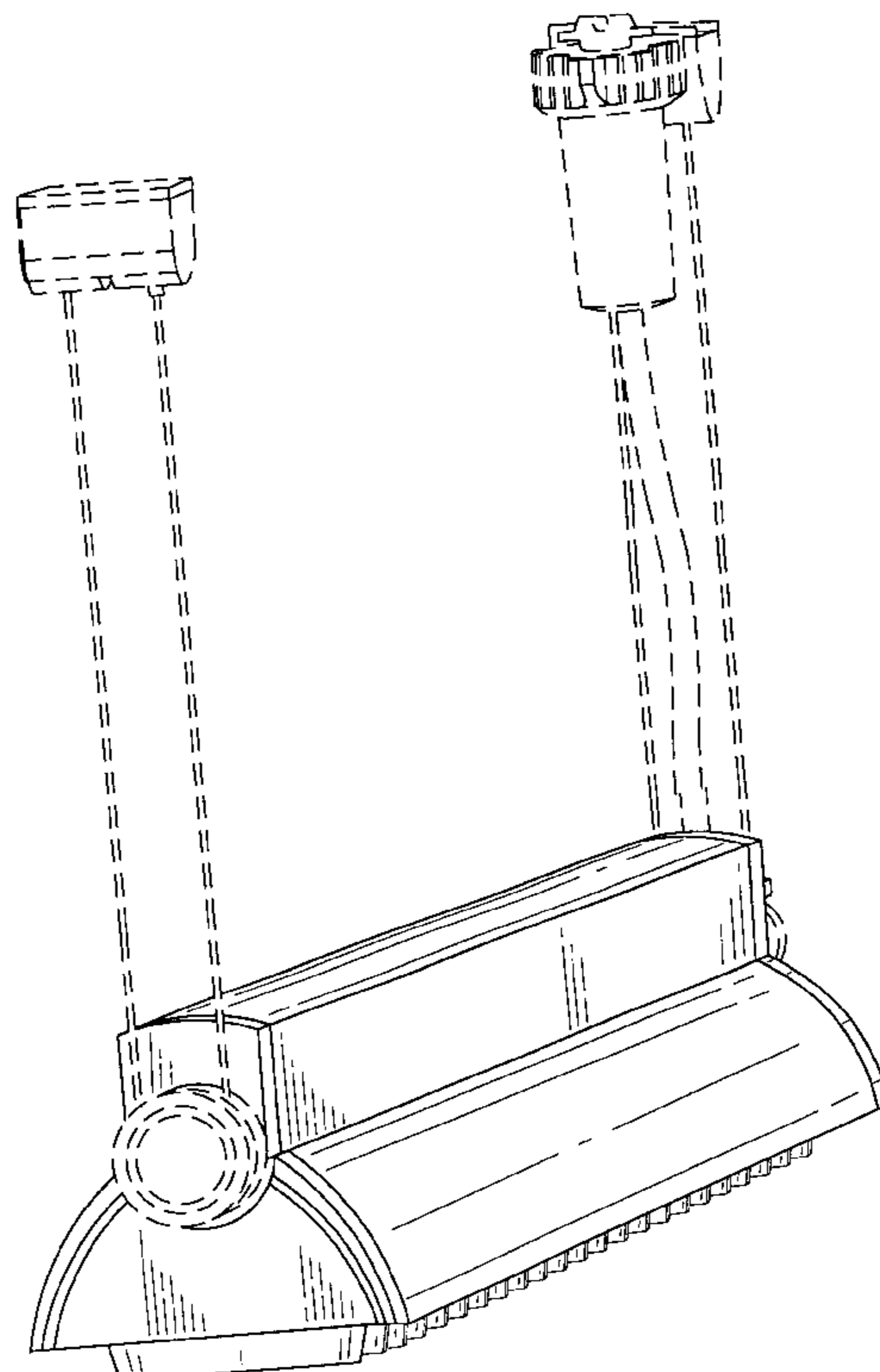


FIG. 1

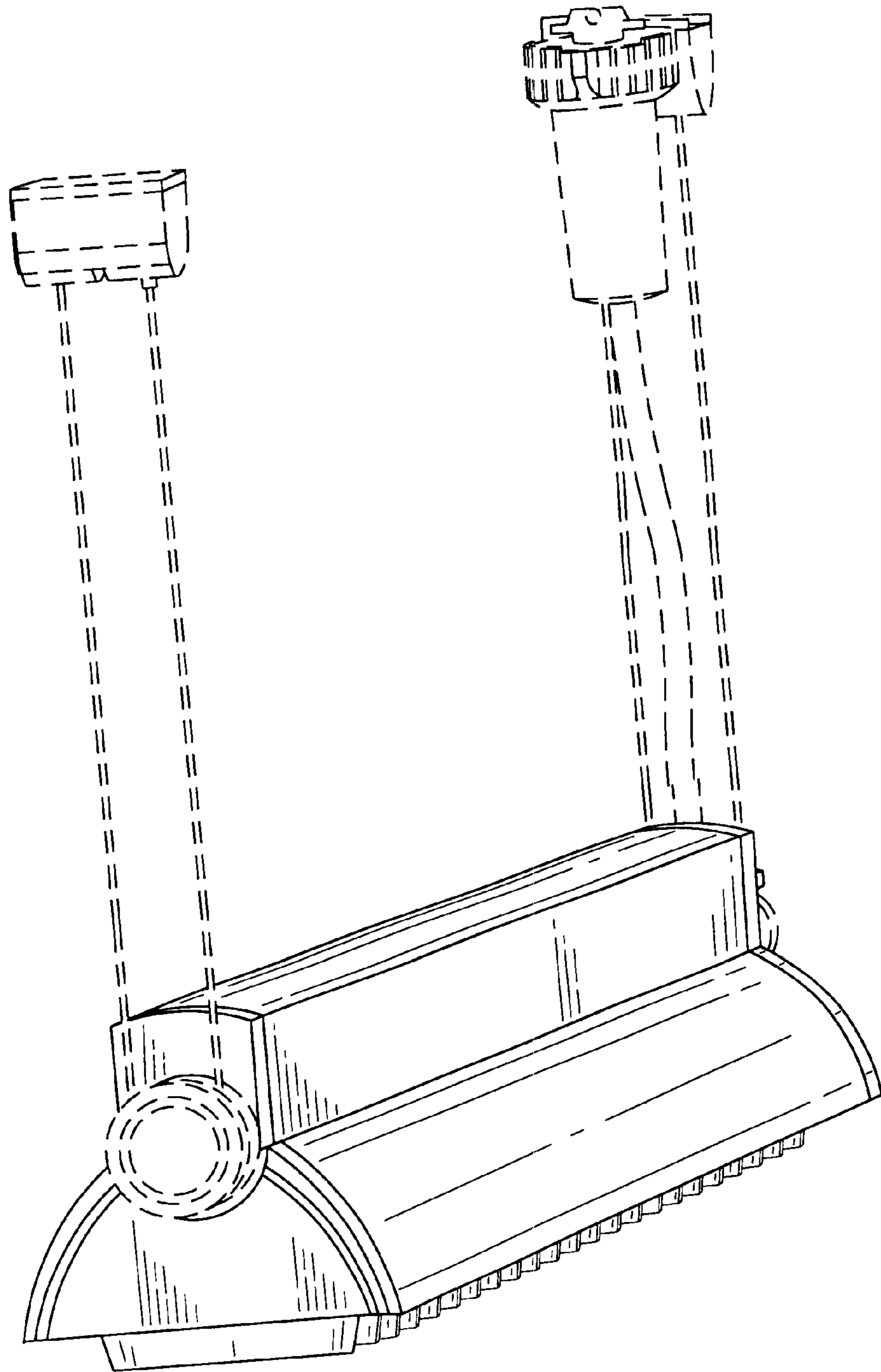


FIG. 2

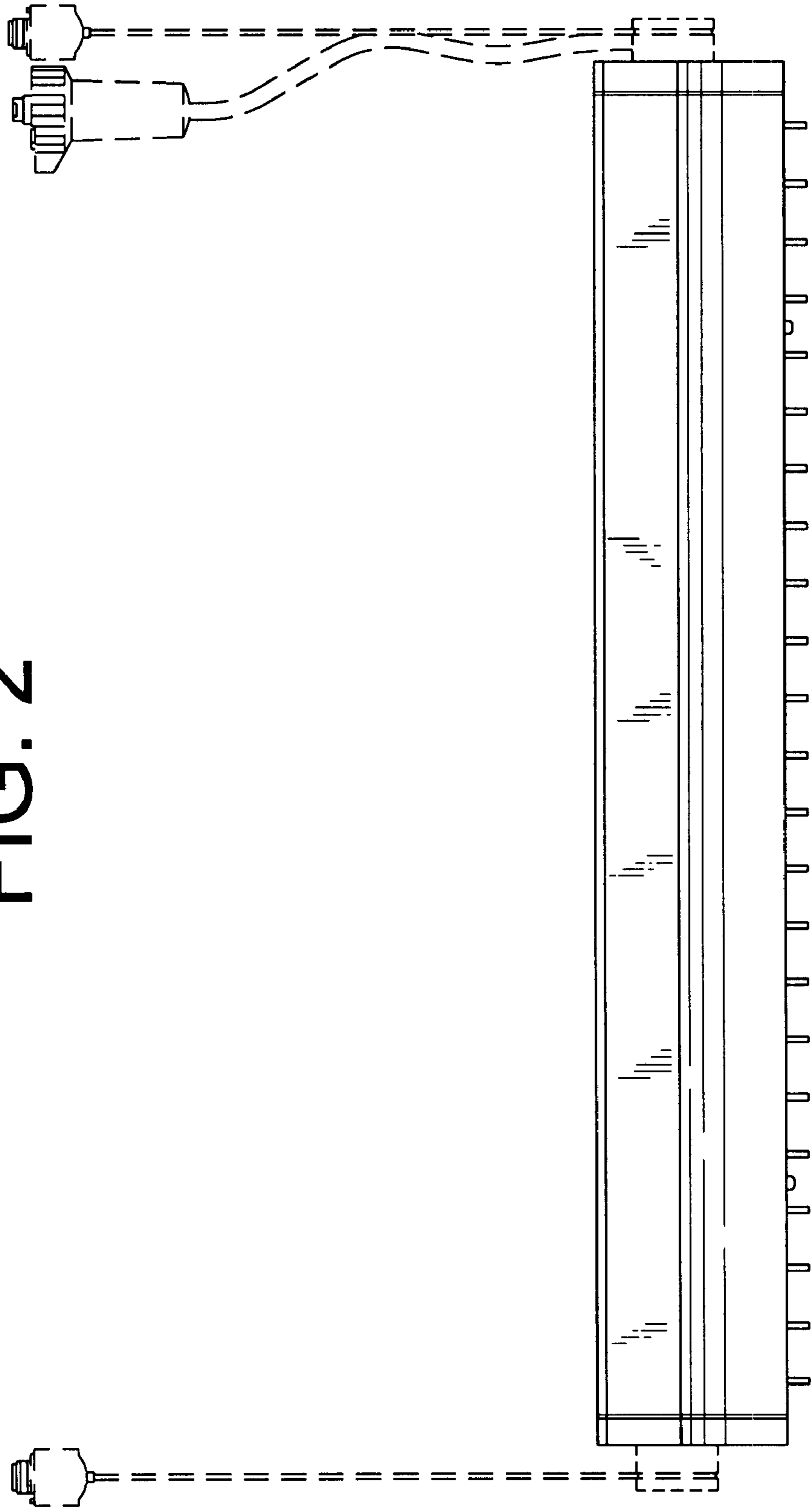


FIG. 3

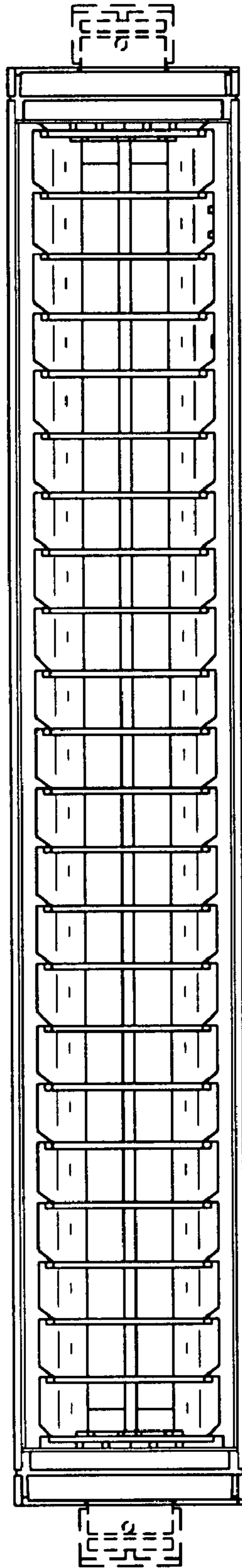


FIG. 4

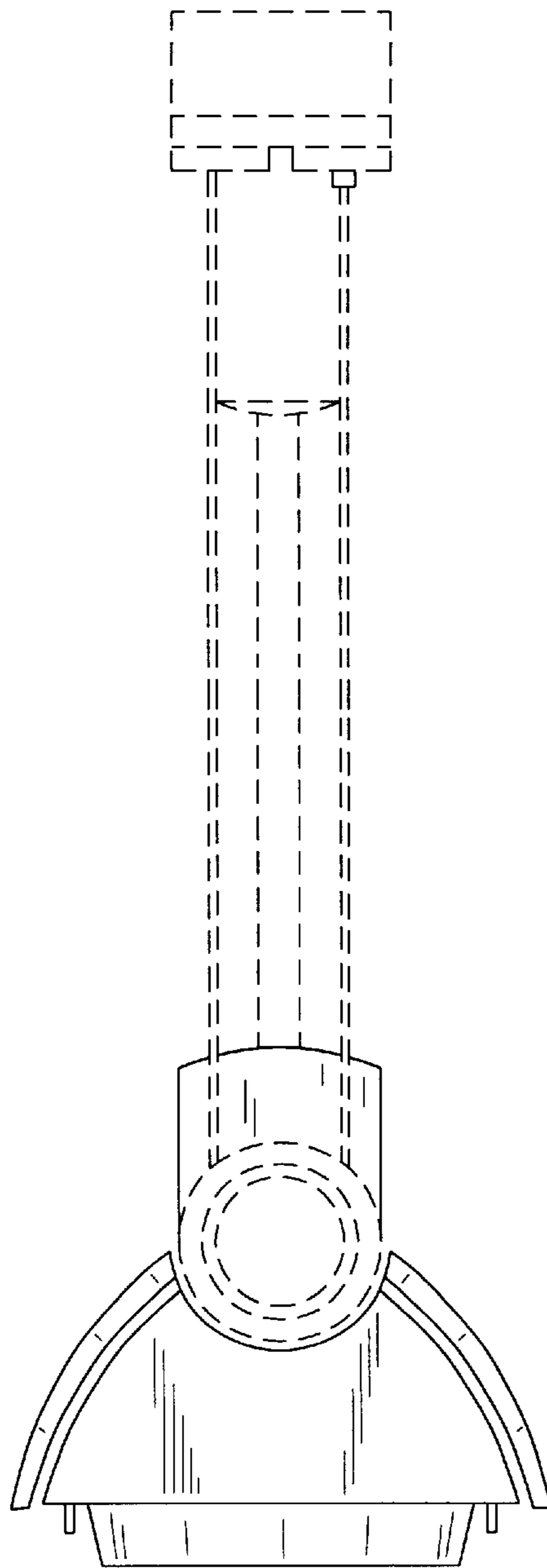


FIG. 5

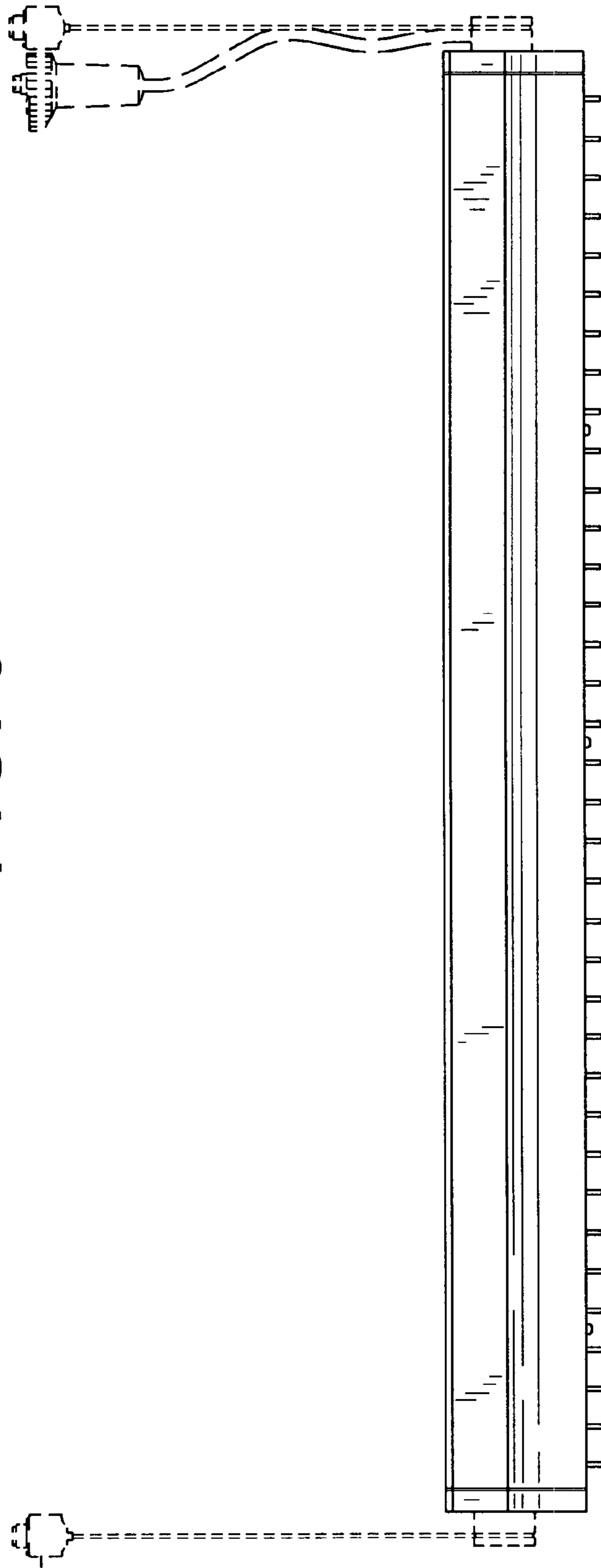


FIG. 6

