



US00D463877S

(12) **United States Design Patent**  
**Kung**

(10) **Patent No.:** **US D463,877 S**

(45) **Date of Patent:** **\*\* Oct. 1, 2002**

(54) **FLASHLIGHT**

(75) Inventor: **Kenneth Kung**, Tai Tam (HK)

(73) Assignee: **Tung Fat Industries Ltd.**, Kowloon (HK)

(\*\*) Term: **14 Years**

(21) Appl. No.: **29/149,349**

(22) Filed: **Oct. 5, 2001**

(51) **LOC (7) Cl.** ..... **26-02**

(52) **U.S. Cl.** ..... **D26/38; D26/49**

(58) **Field of Search** ..... **D26/37-50; 362/157, 362/158, 171, 172, 173, 181-208**

(56) **References Cited**

**U.S. PATENT DOCUMENTS**

3,418,461 A	12/1968	Sedlock	240/52.5
4,399,498 A	8/1983	Bacevius	362/396
4,897,768 A	1/1990	Thul	362/191
5,213,412 A	5/1993	Ciallella	362/398
D356,651 S *	3/1995	Stephen	D26/49
5,400,234 A	3/1995	Yu	362/386
5,573,329 A	11/1996	van Gennep	362/191
D421,145 S *	2/2000	Man	D26/49
D424,226 S *	5/2000	Petterson	D26/49
6,062,703 A	5/2000	Tsao	362/184
D435,922 S *	1/2001	Shing	D26/49
D452,025 S *	12/2001	Poon	D26/49

**FOREIGN PATENT DOCUMENTS**

DE	94 13 425 U	10/1994
FR	2 786 540 A	6/2000

\* cited by examiner

*Primary Examiner*—Marcus A. Jackson

(74) *Attorney, Agent, or Firm*—Ladas & Parry

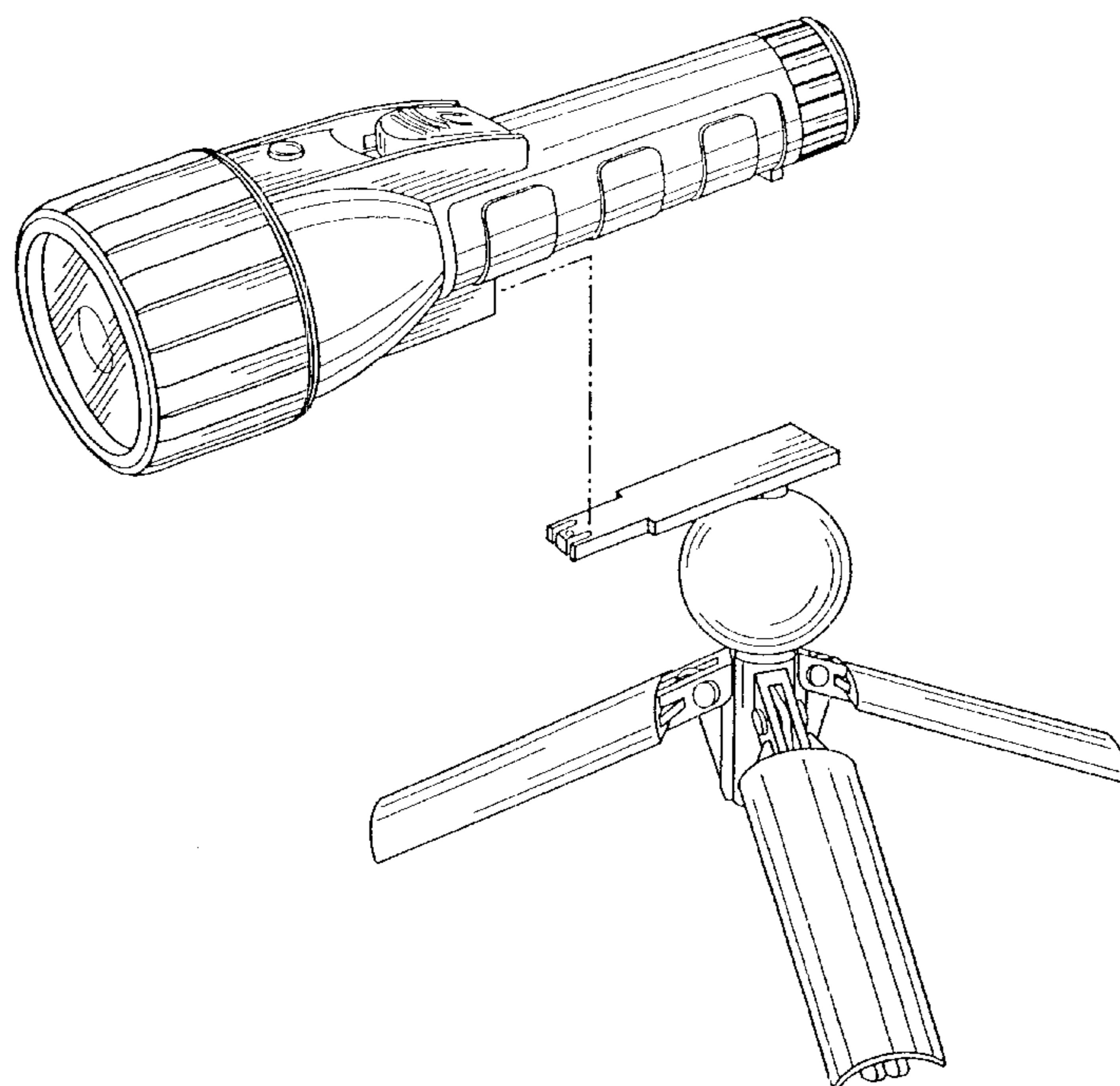
(57) **CLAIM**

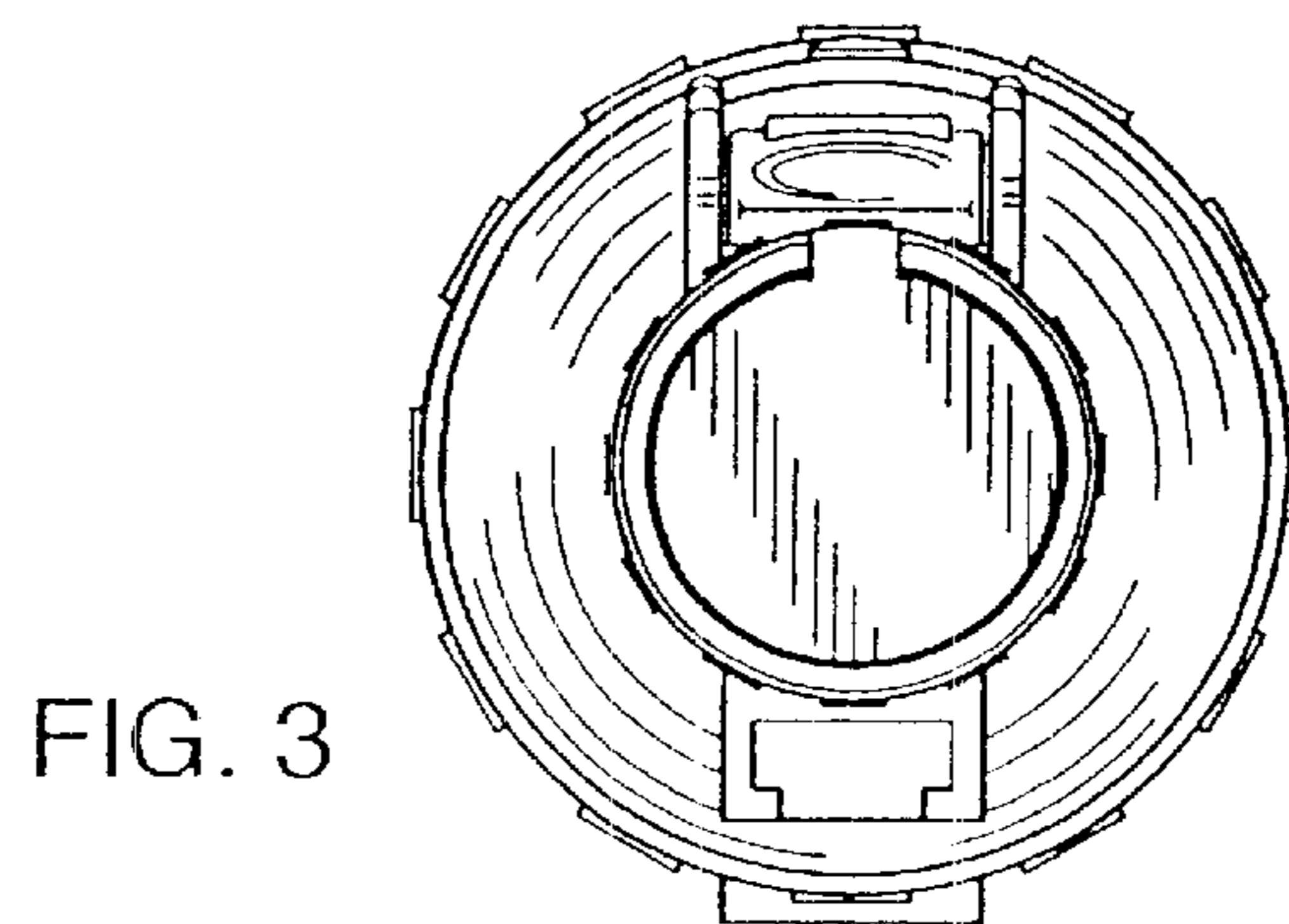
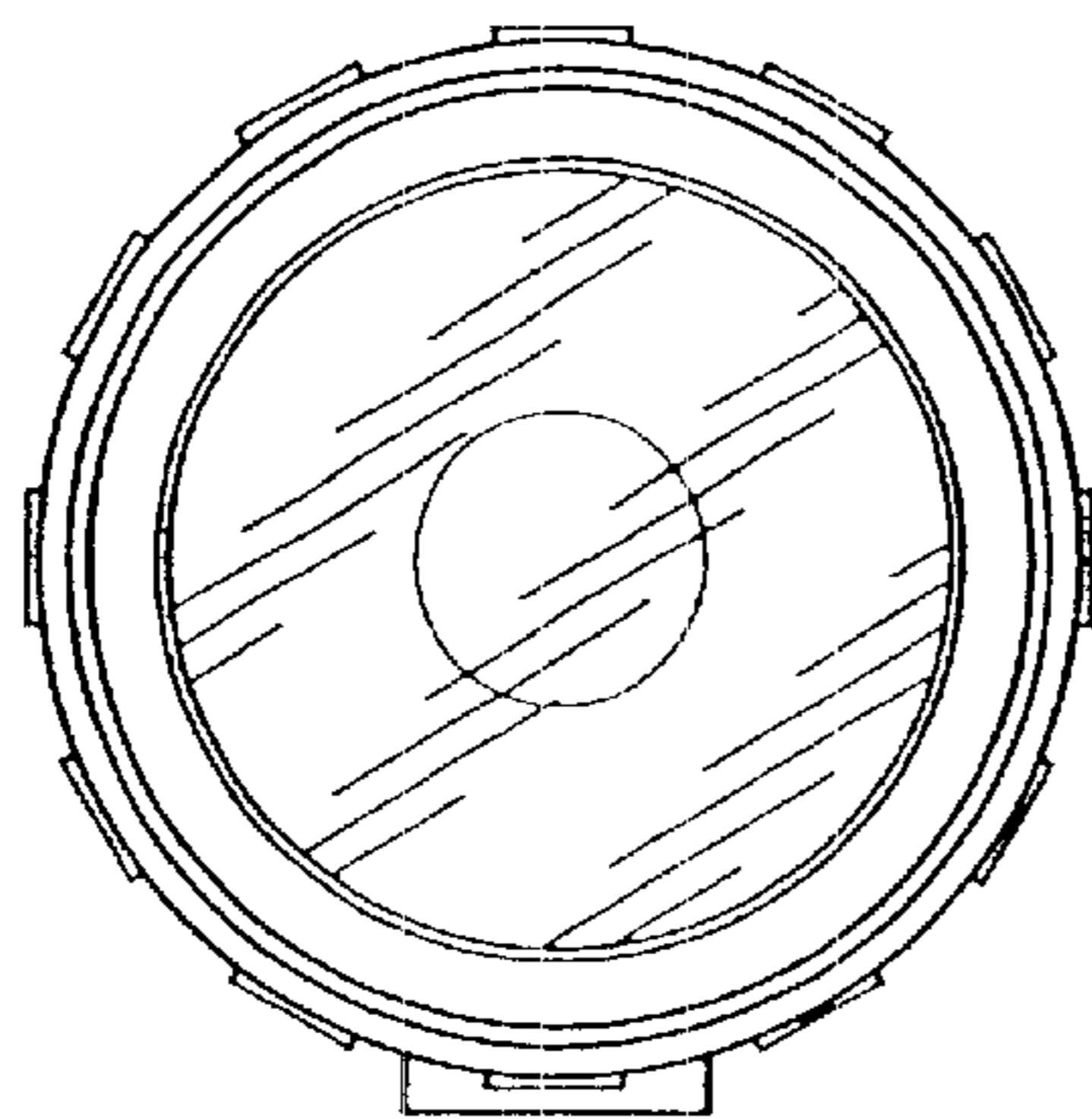
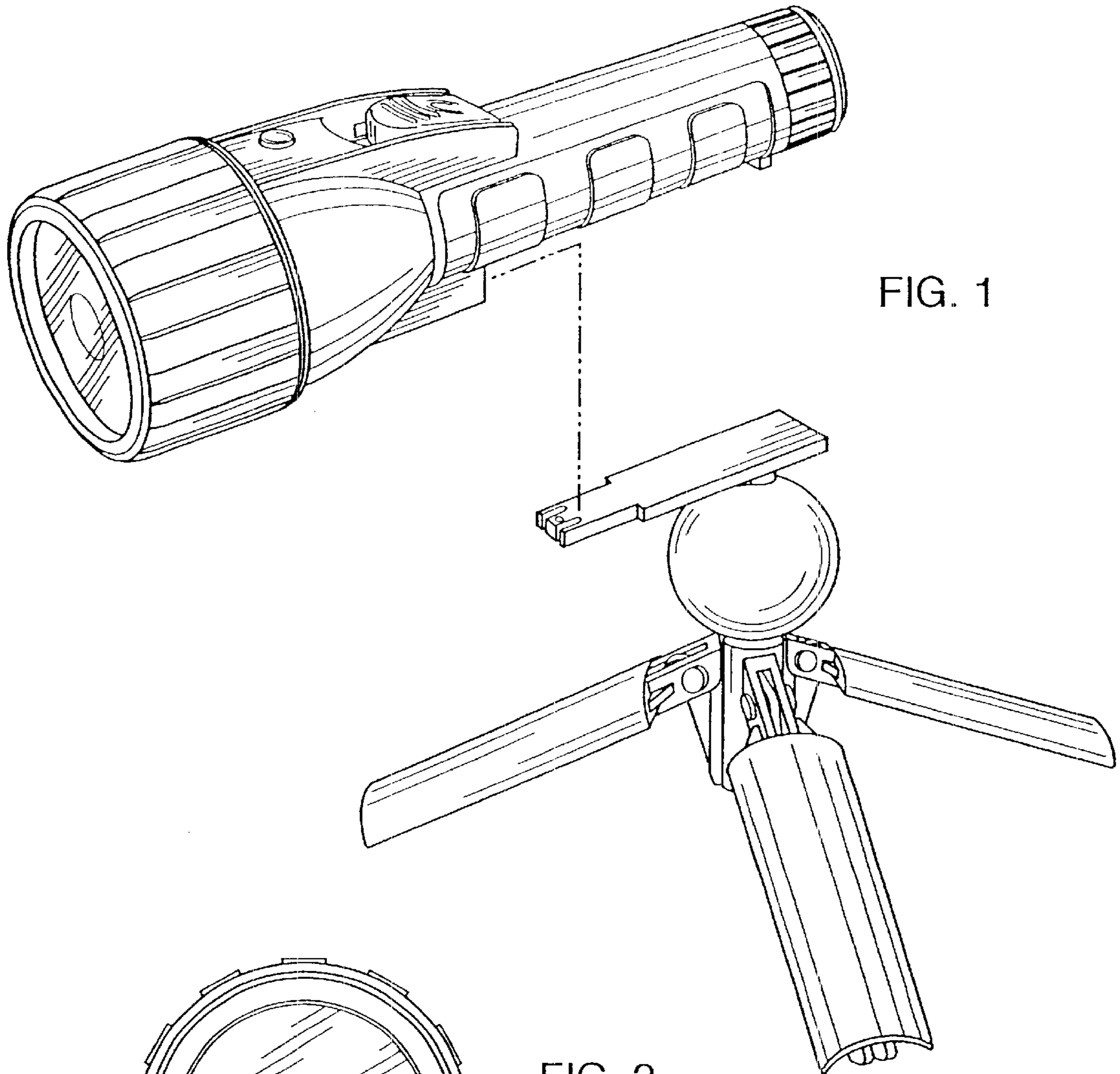
The ornamental design for a flashlight, as shown and described.

**DESCRIPTION**

FIG. 1 is a front perspective view of a flashlight of this invention together with a tripod to which it may be attached; FIG. 2 is a front elevational view thereof; FIG. 3 is a rear elevational view thereof; FIG. 4 is a side elevational view thereof; FIG. 5 is a side elevational view thereof; FIG. 6 is a top plan view thereof; FIG. 7 is a bottom plan view thereof; FIG. 8 is a front perspective view thereof; FIG. 9 is a front perspective view of a flashlight of this invention together with a tripod to which it may be attached; FIG. 10 is a front perspective view of an alternate embodiment of an item which may be attached to the flashlight of this invention; FIG. 11 is a front perspective view of an alternate embodiment of an item which may be attached to the flashlight of this invention; FIG. 12 is a front perspective view of an alternate embodiment of an item which may be attached to the flashlight of this invention; and, FIG. 13 is a front perspective view of an alternate embodiment of an item which may be attached to the flashlight of this invention.

**1 Claim, 7 Drawing Sheets**





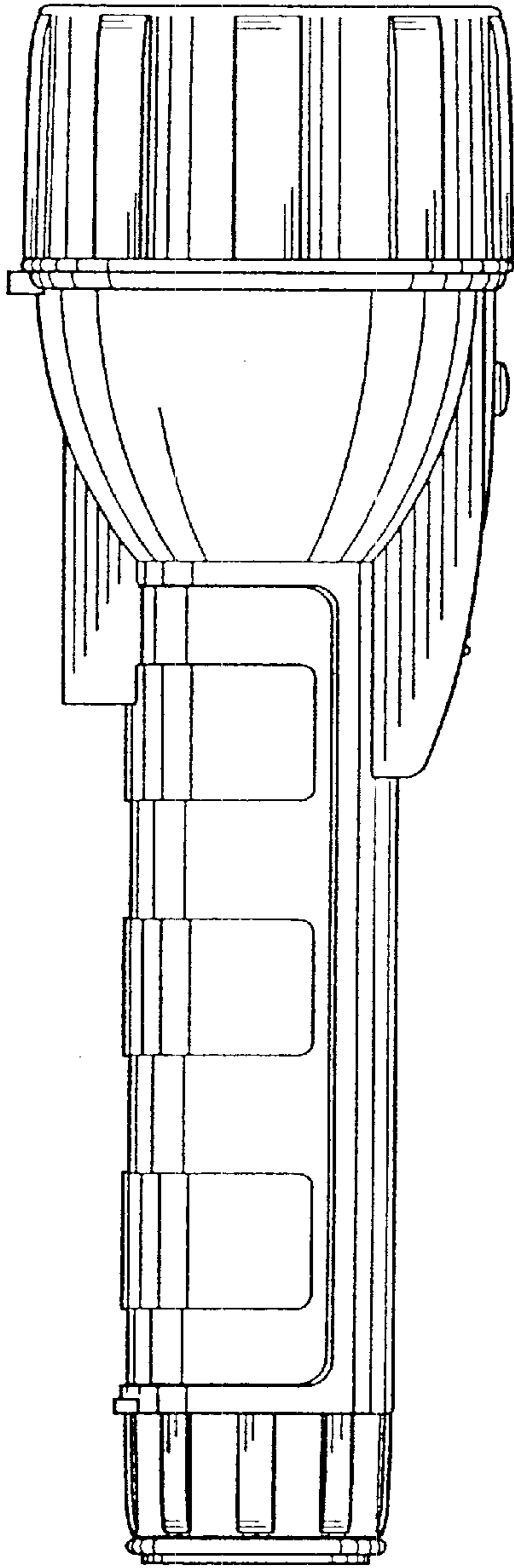


FIG. 4

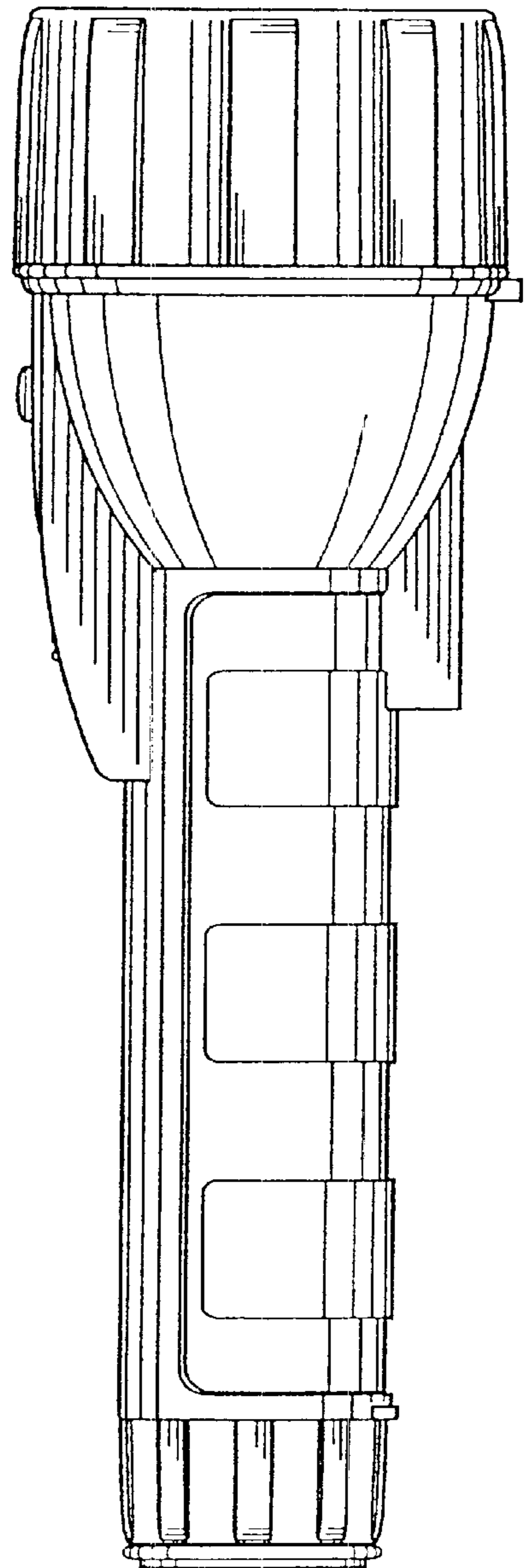


FIG. 5



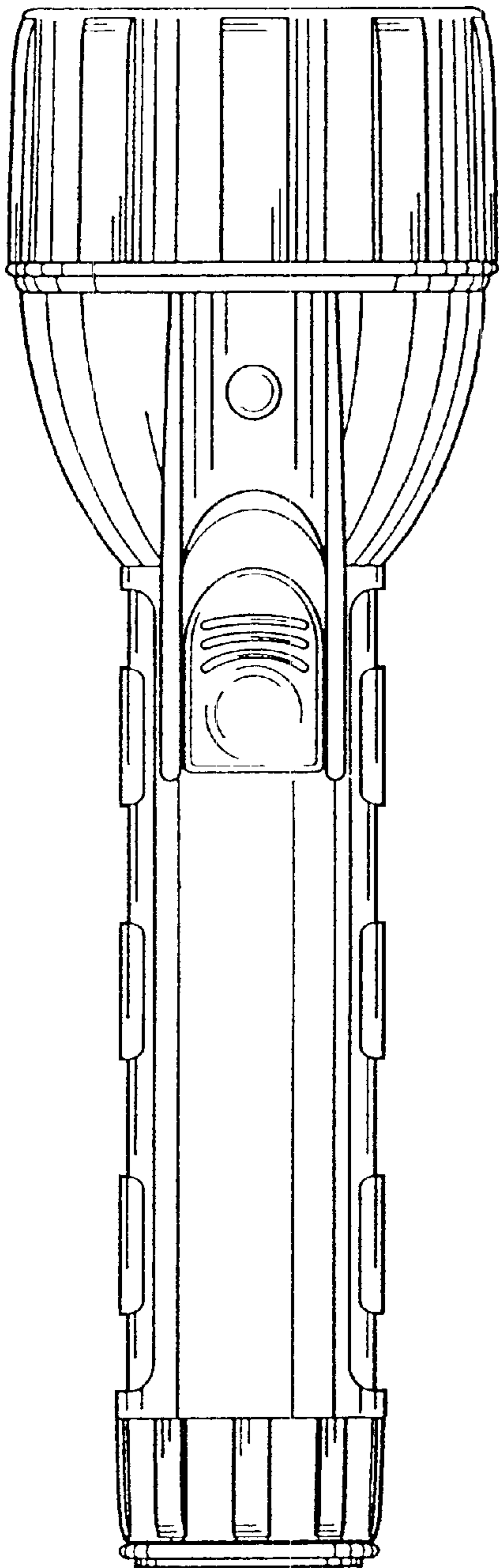


FIG. 6

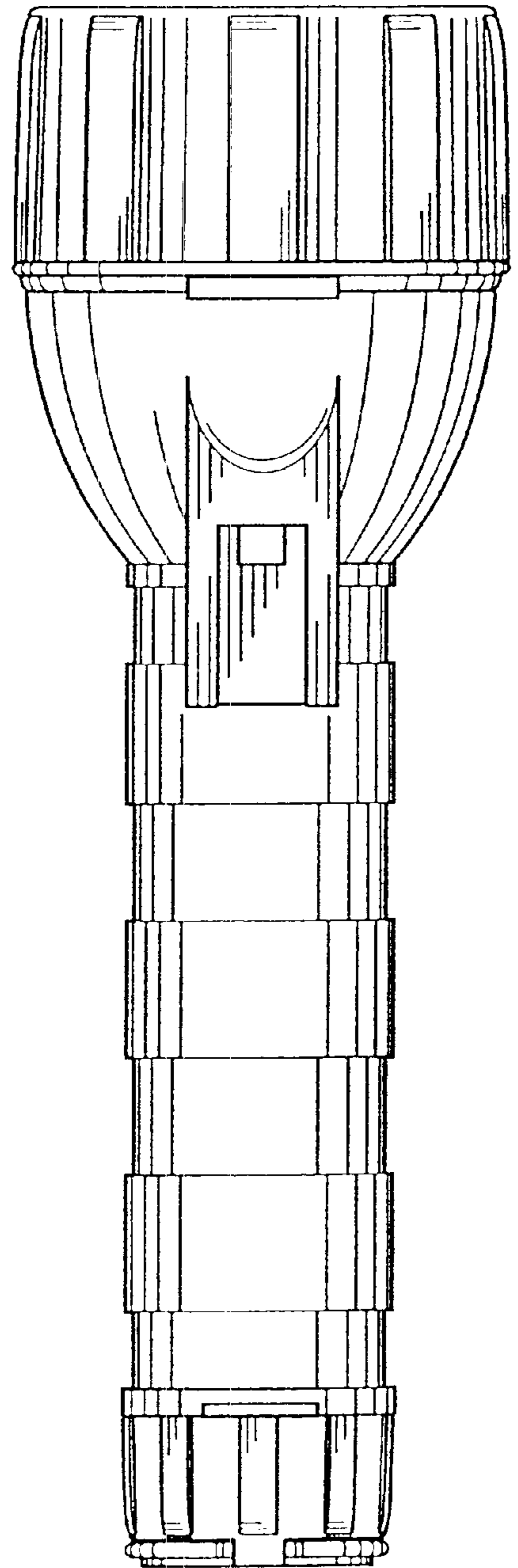


FIG. 7

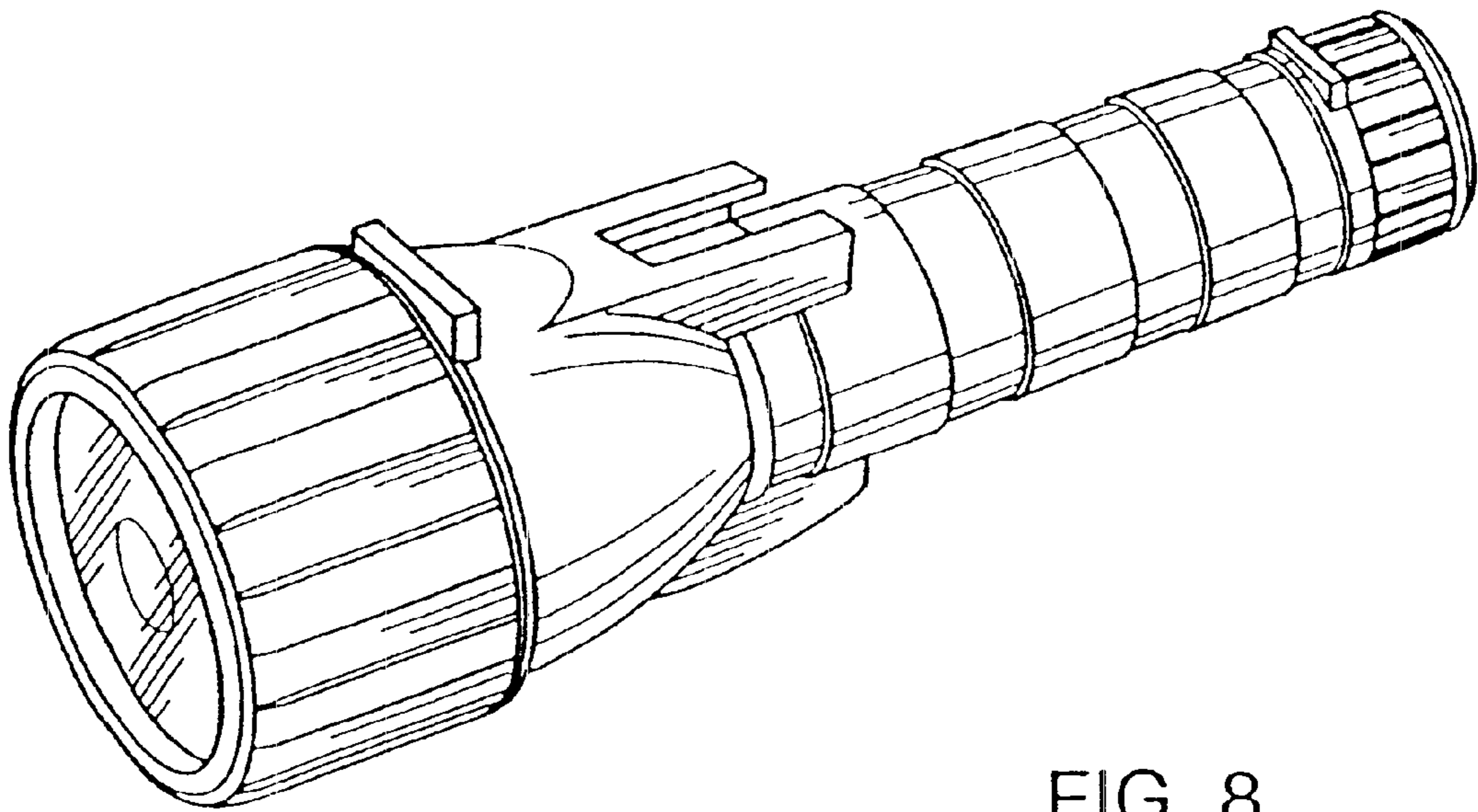


FIG. 8

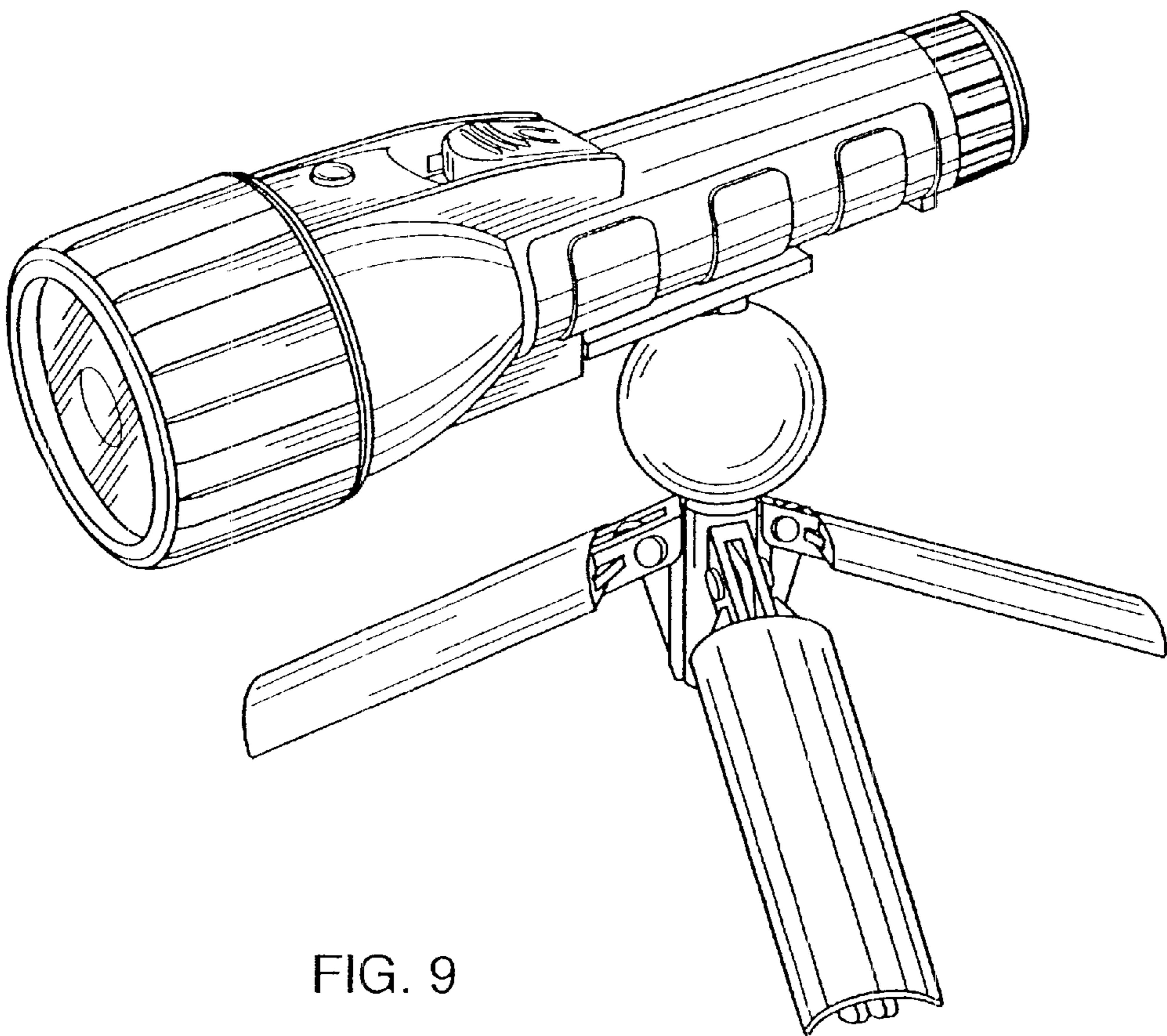


FIG. 9

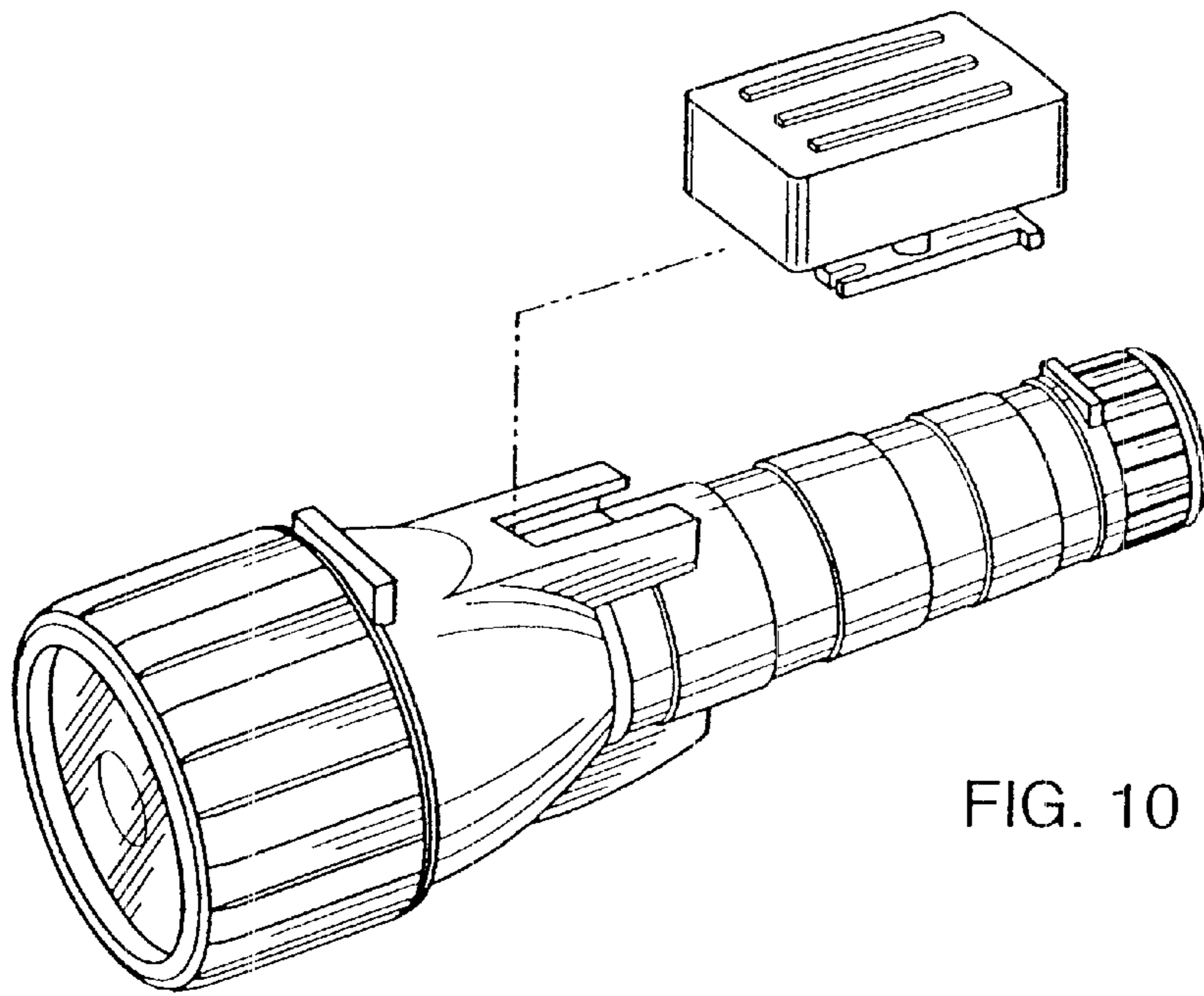


FIG. 10

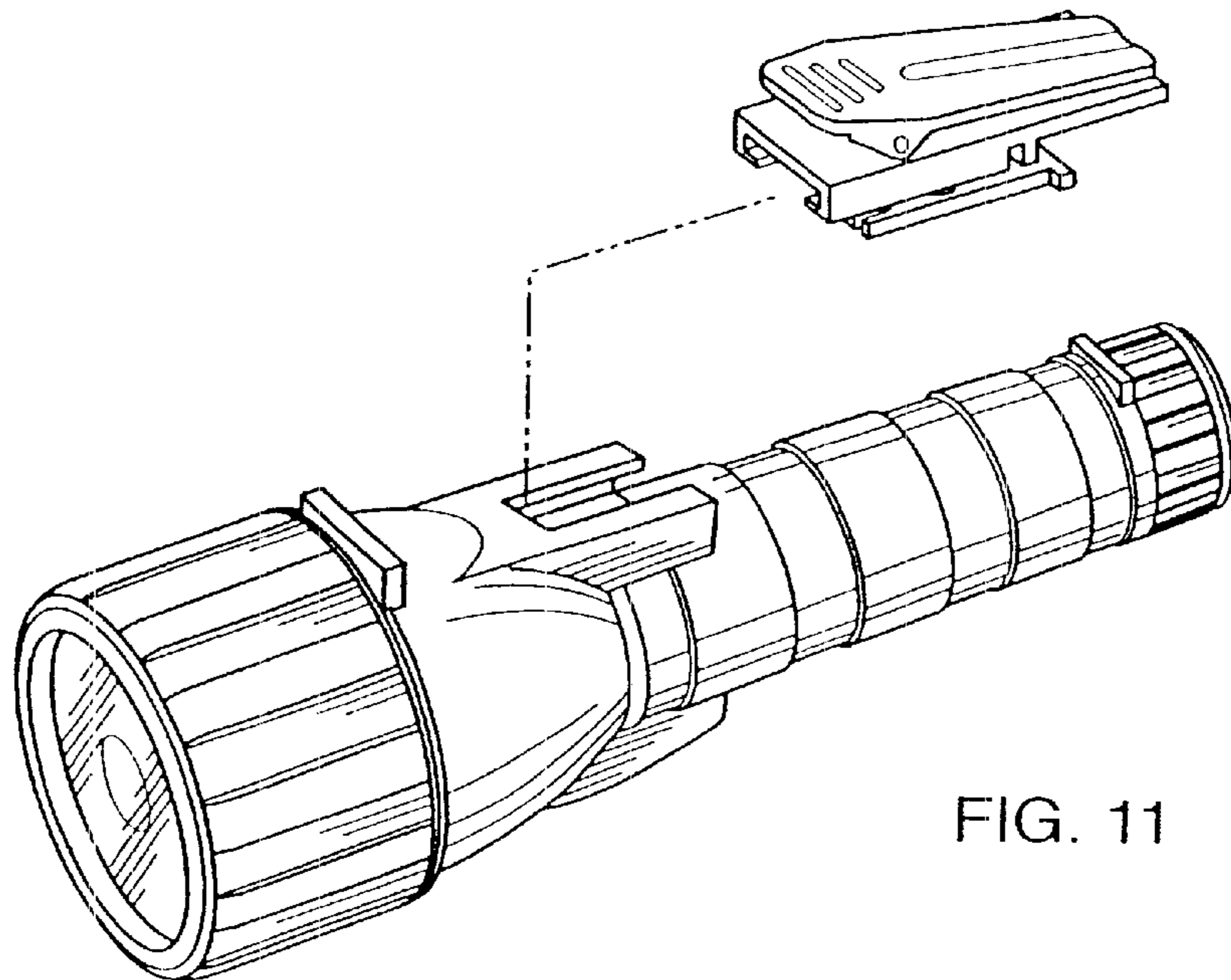


FIG. 11



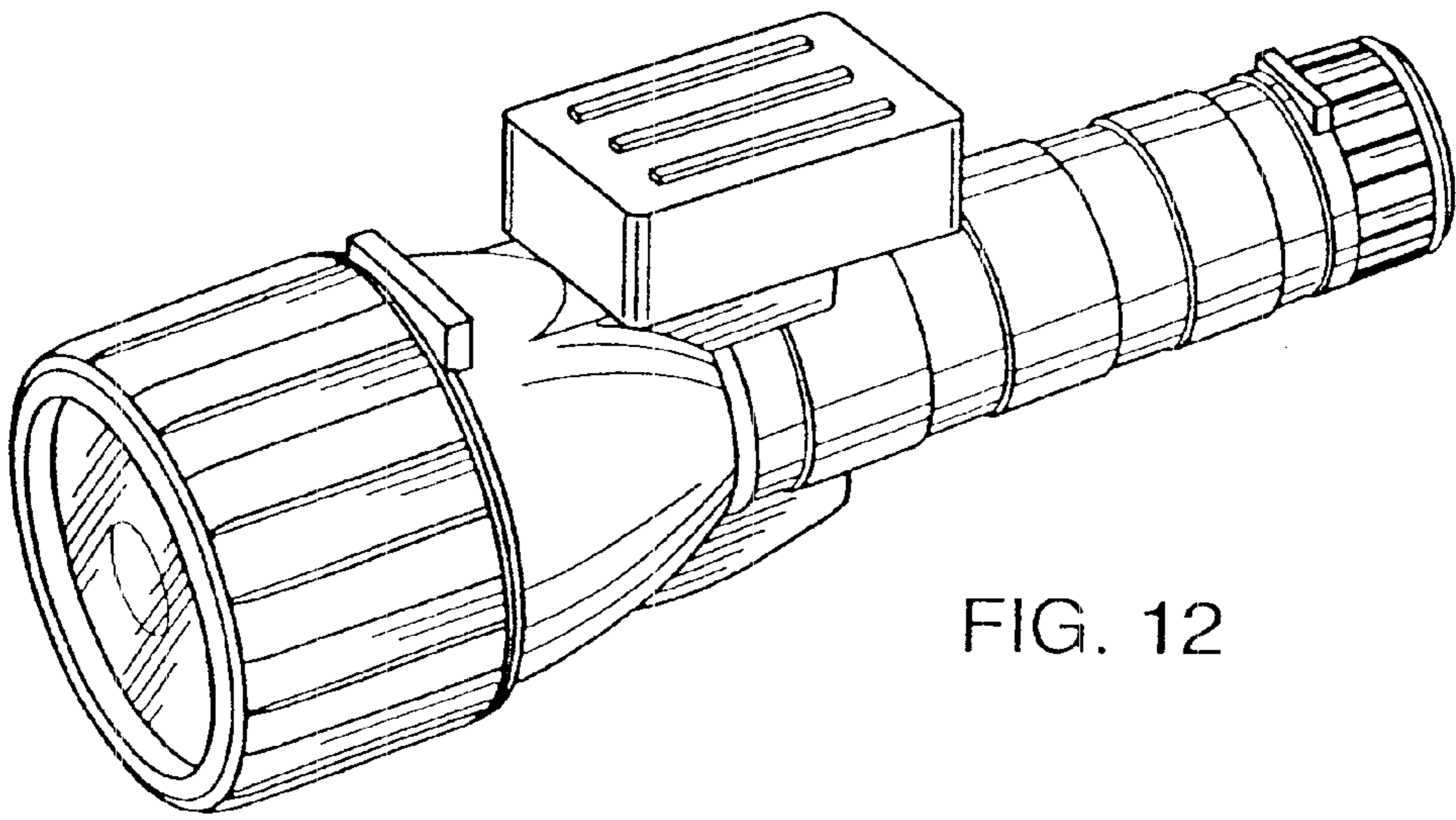


FIG. 12

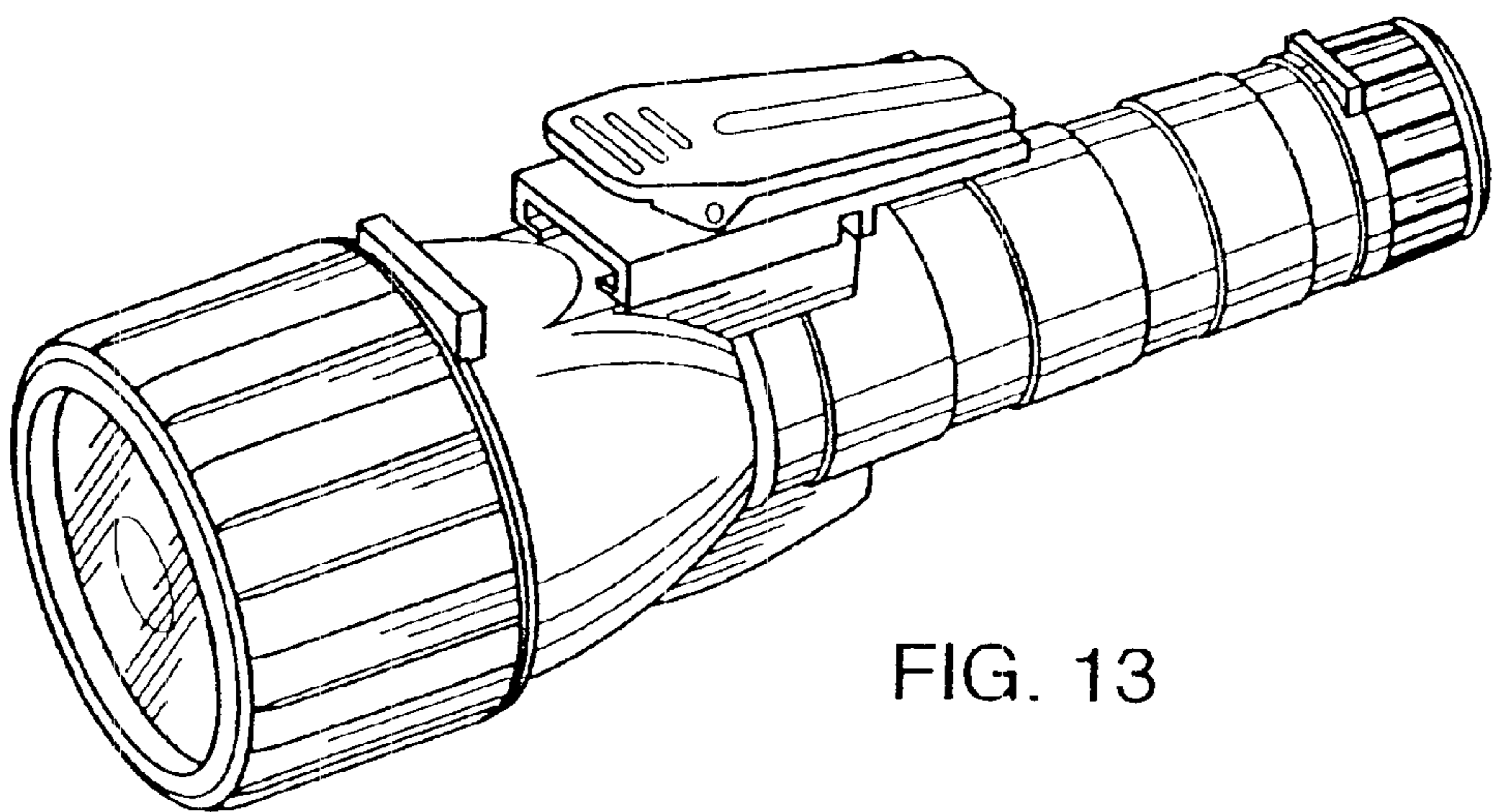


FIG. 13