



US00D463868S

(12) **United States Design Patent**  
**Foster**

(10) **Patent No.:** **US D463,868 S**  
(45) **Date of Patent:** **\*\* Oct. 1, 2002**

(54) **INTERCONNECTABLE LANDSCAPE EDGING MODULE**

(76) Inventor: **John R. Foster**, 51 Paynes La., Stafford, VA (US) 22554

(\*\*) Term: **14 Years**

(21) Appl. No.: **29/156,267**

(22) Filed: **Feb. 27, 2002**

**Related U.S. Application Data**

(62) Division of application No. 29/136,647, filed on Feb. 6, 2001, now Pat. No. Des. 455,504.

(51) **LOC (7) Cl.** ..... **25-01**

(52) **U.S. Cl.** ..... **D25/164**

(58) **Field of Search** ..... D25/164; 52/102; 47/33; D8/1

(56) **References Cited**

**U.S. PATENT DOCUMENTS**

D319,560 S	9/1991	Perry
5,092,076 A	3/1992	Terreta
5,134,817 A	8/1992	Richardt
5,157,867 A	10/1992	Fritch
5,377,447 A	1/1995	Fritch
5,379,546 A	1/1995	Popp
5,438,804 A	8/1995	Reum et al.
5,640,801 A	6/1997	Rynberk
D402,380 S	12/1998	Komoroski
5,930,947 A	8/1999	Eckhoff

*Primary Examiner*—Doris Clark

(74) *Attorney, Agent, or Firm*—Dinesh Agarwal, P.C.

(57) **CLAIM**

The ornamental design for an interconnectable landscape edging module, as shown and described.

**DESCRIPTION**

FIG. 1 is a top perspective view of an interconnectable landscape edging module of the present invention;

FIG. 2 is a right side view of the interconnectable landscape edging module of FIG. 1;

FIG. 3 is a left side view of the interconnectable landscape edging module of FIG. 1;

FIG. 4 is a front elevational view of the interconnectable landscape edging module of FIG. 1;

FIG. 5 is a rear elevational view of the interconnectable landscape edging module of FIG. 1;

FIG. 6 is a top plan view of the interconnectable landscape edging module of FIG. 1;

FIG. 7 is a bottom plan view of the interconnectable landscape edging module of FIG. 1;

FIG. 8 is a top perspective view of an alternative embodiment of the interconnectable landscape edging module of FIG. 1;

FIG. 9 is a left side view of the interconnectable landscape edging module of FIG. 8;

FIG. 10 is a right side view of the interconnectable landscape edging module of FIG. 8;

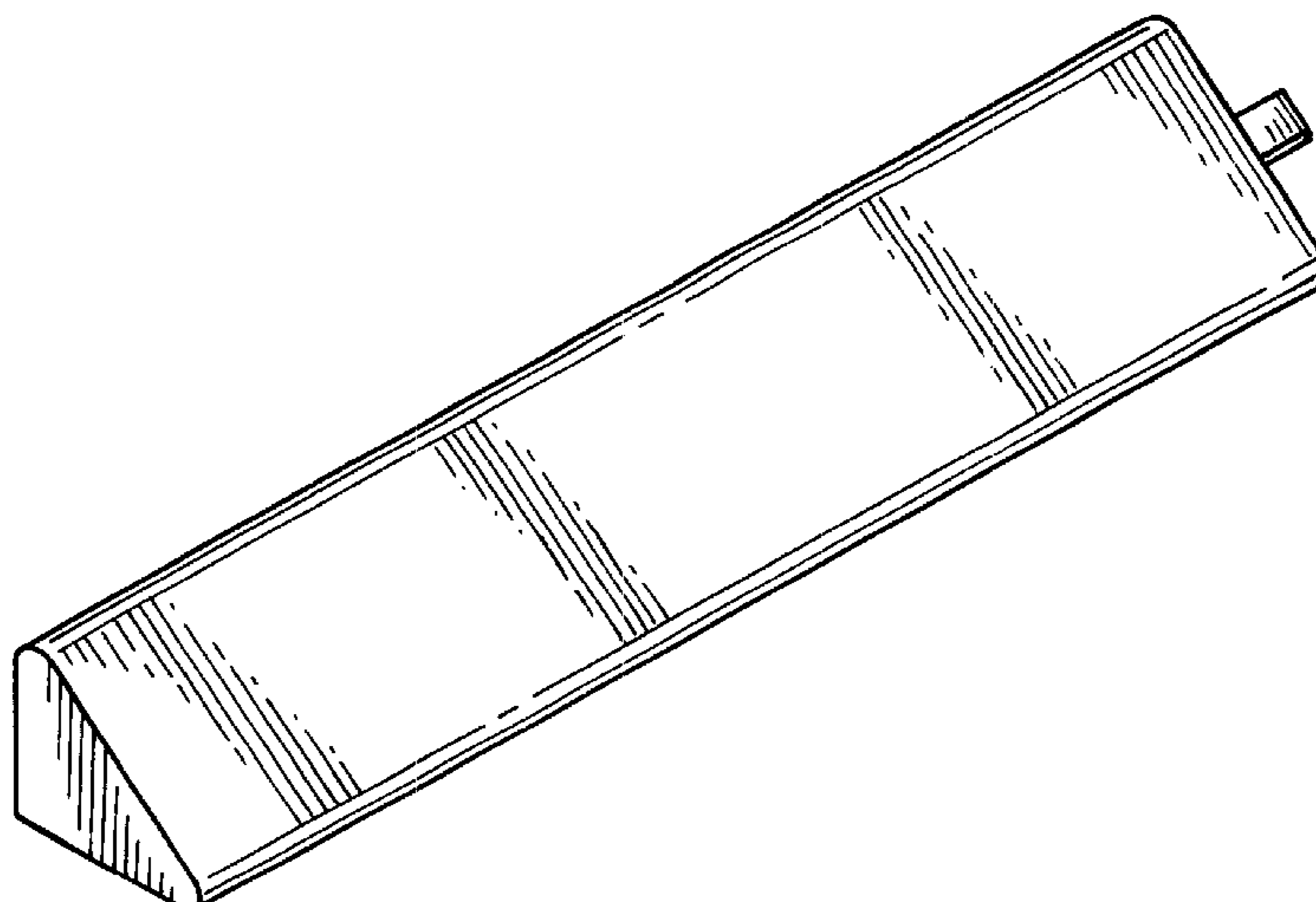
FIG. 11 is a front elevational view of the interconnectable landscape edging module of FIG. 8;

FIG. 12 is a rear elevational view of the interconnectable landscape edging module of FIG. 8;

FIG. 13 is a top plan view of the interconnectable landscape edging module of FIG. 8; and,

FIG. 14 is a bottom plan view of the interconnectable landscape edging module of FIG. 8.

**1 Claim, 2 Drawing Sheets**



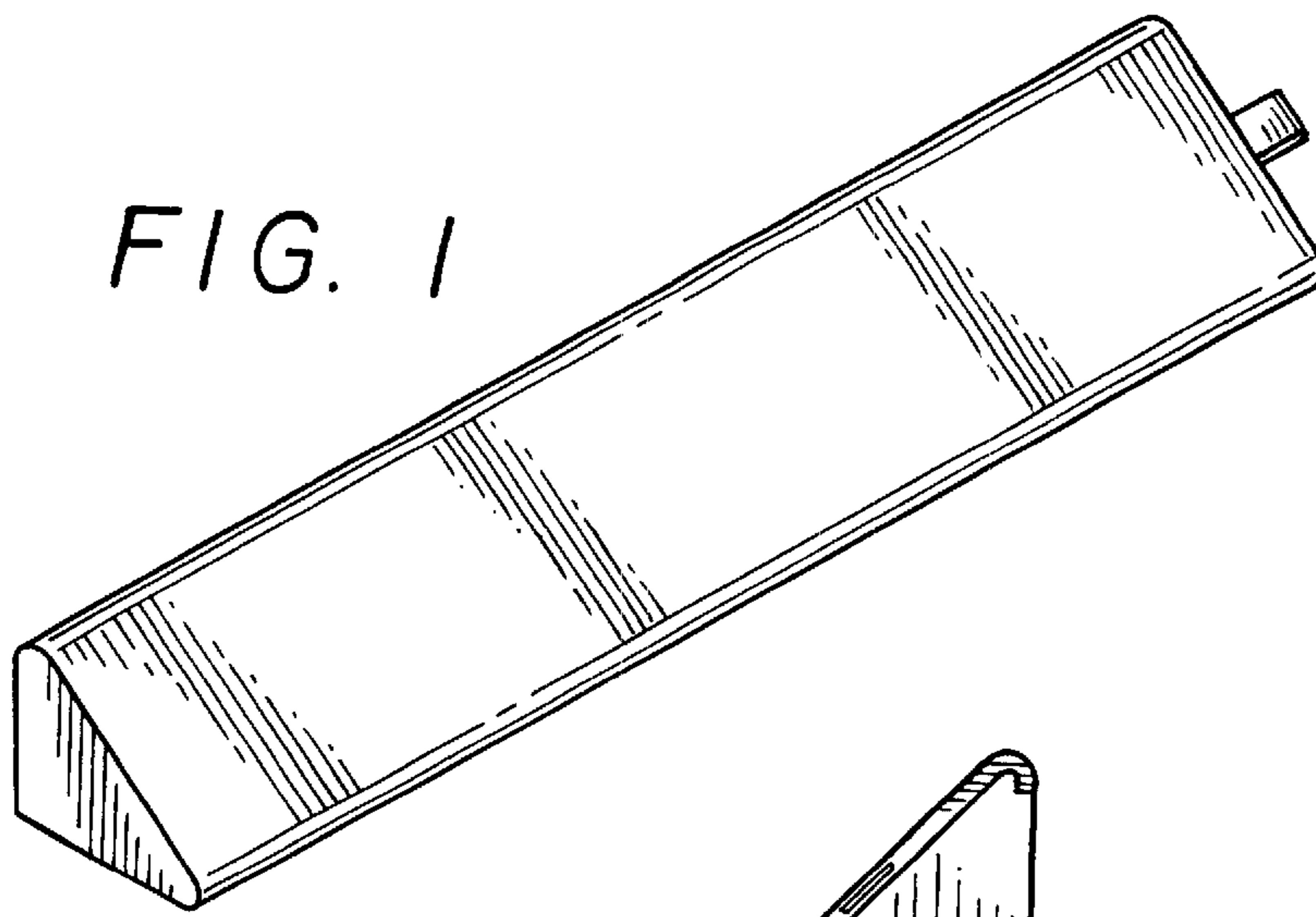


FIG. 1

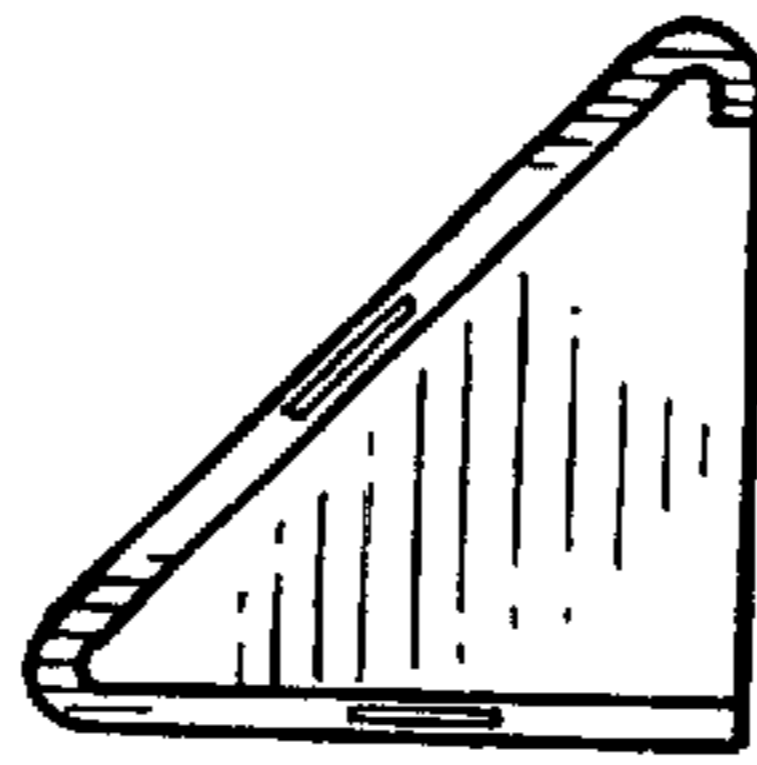


FIG. 2

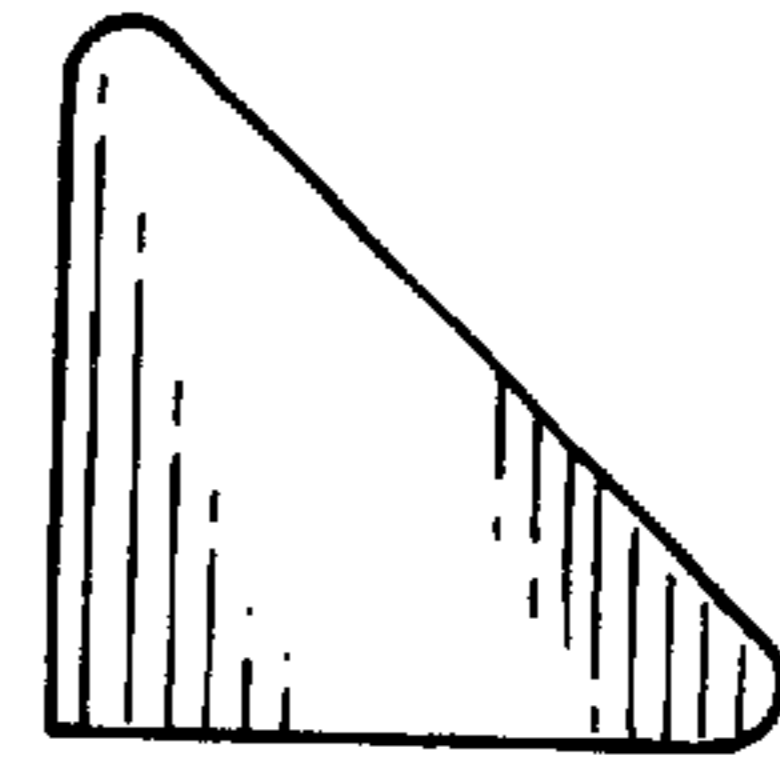


FIG. 3

FIG. 4

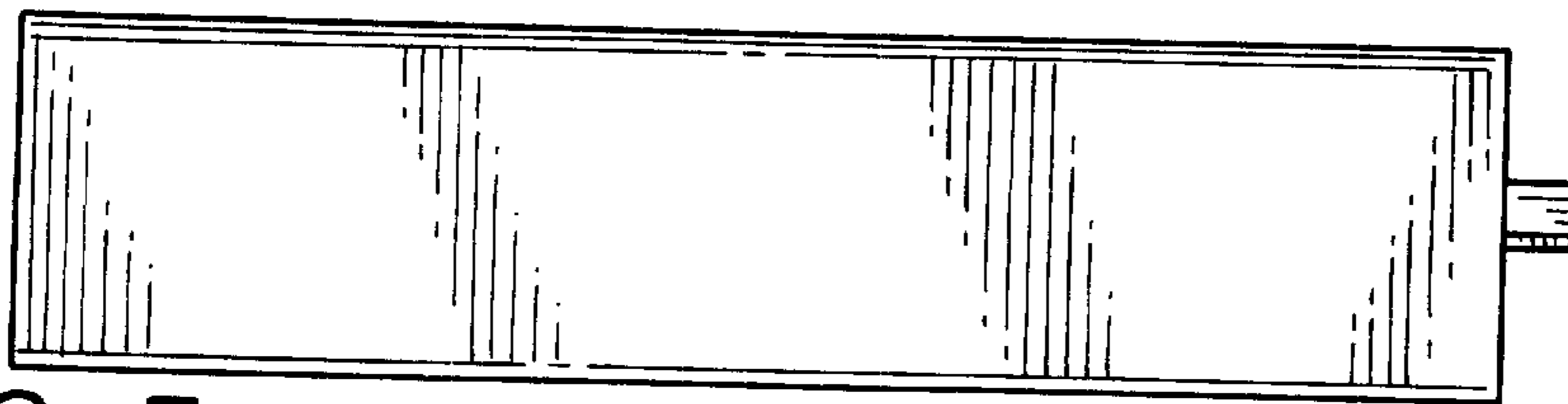


FIG. 5

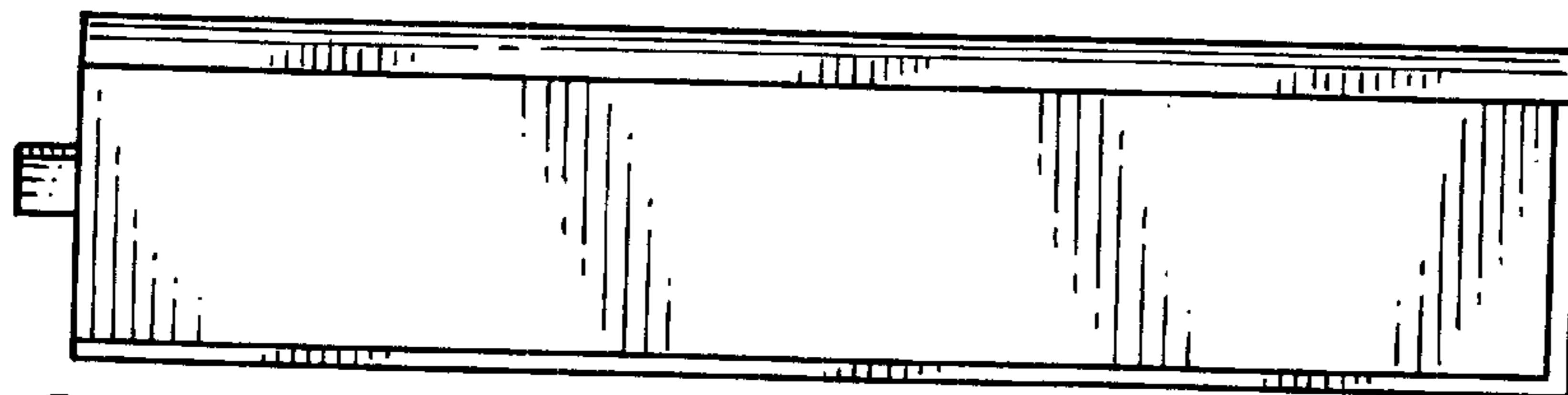


FIG. 6

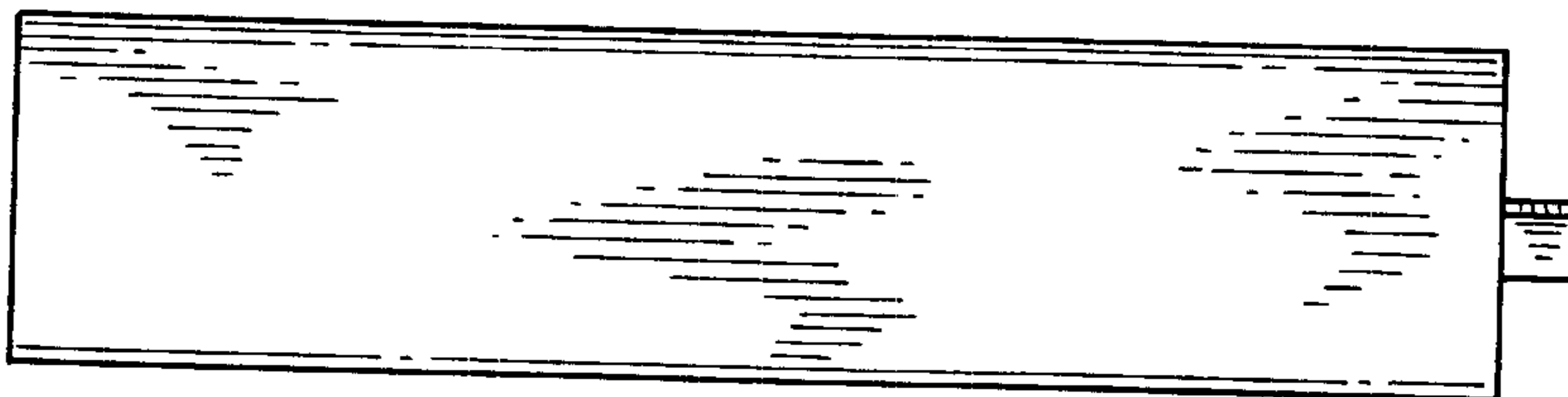


FIG. 7

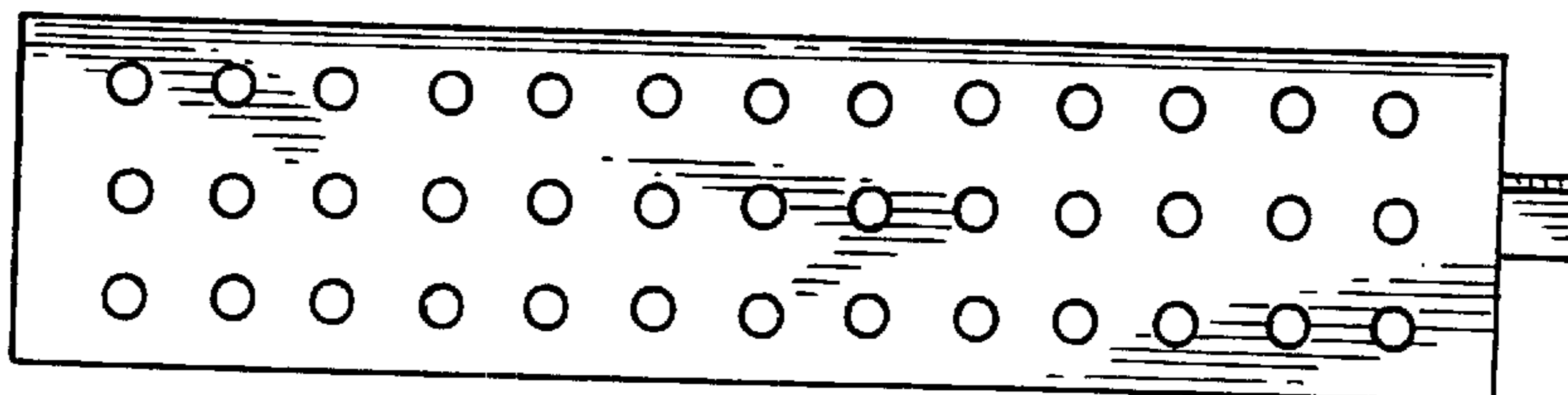


FIG. 8

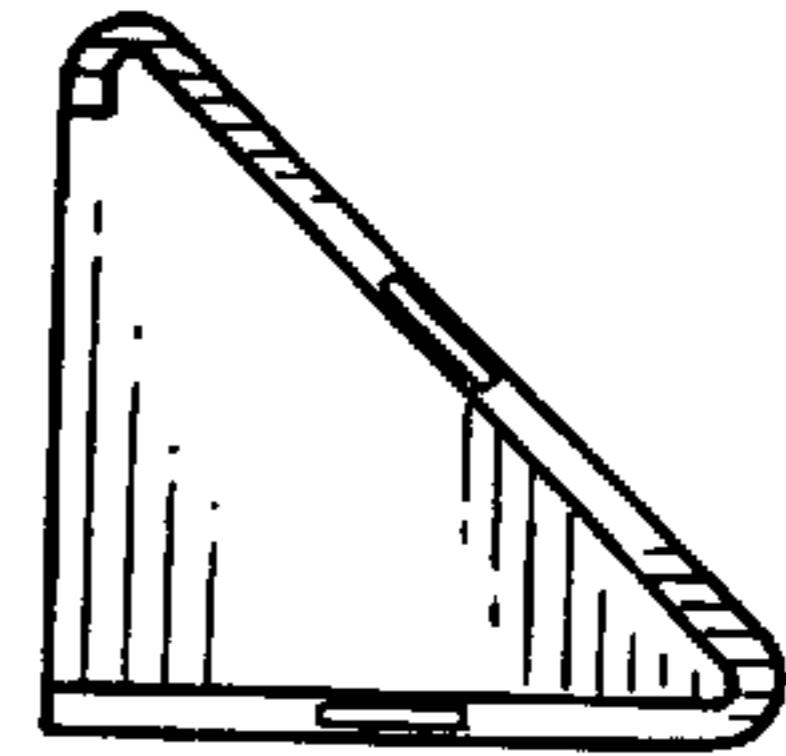
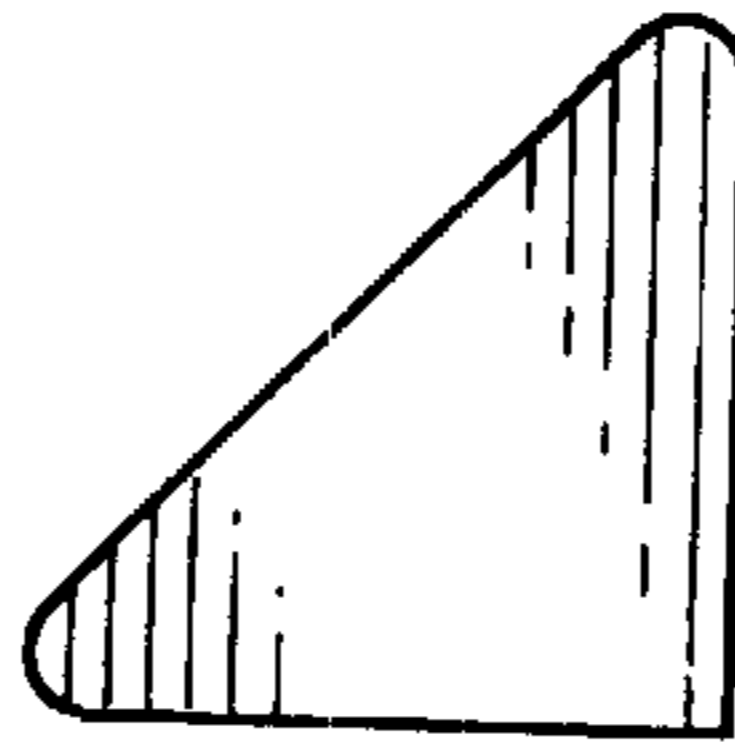
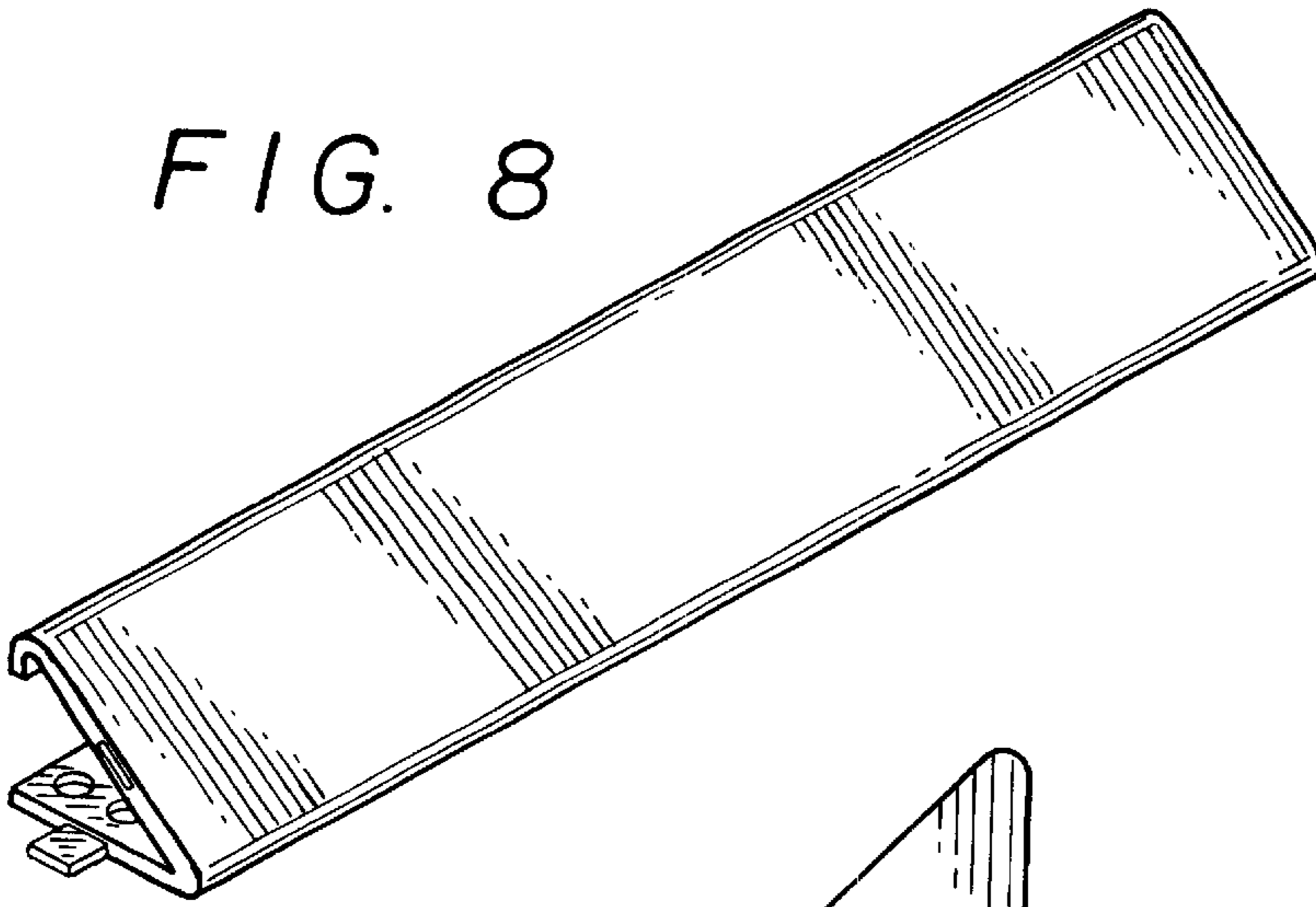


FIG. 11

FIG. 9

FIG. 10

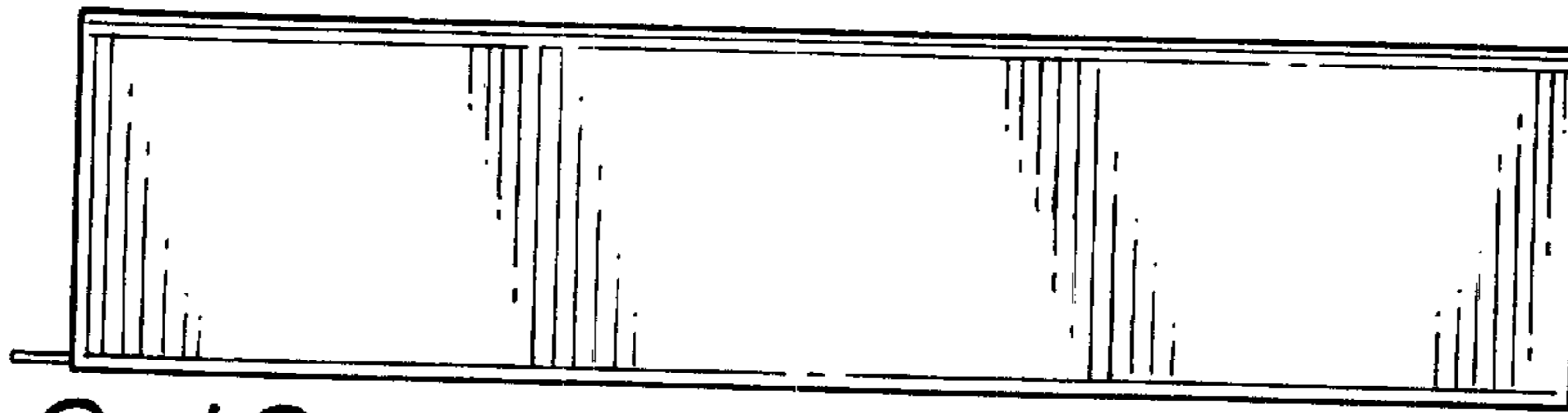


FIG. 12

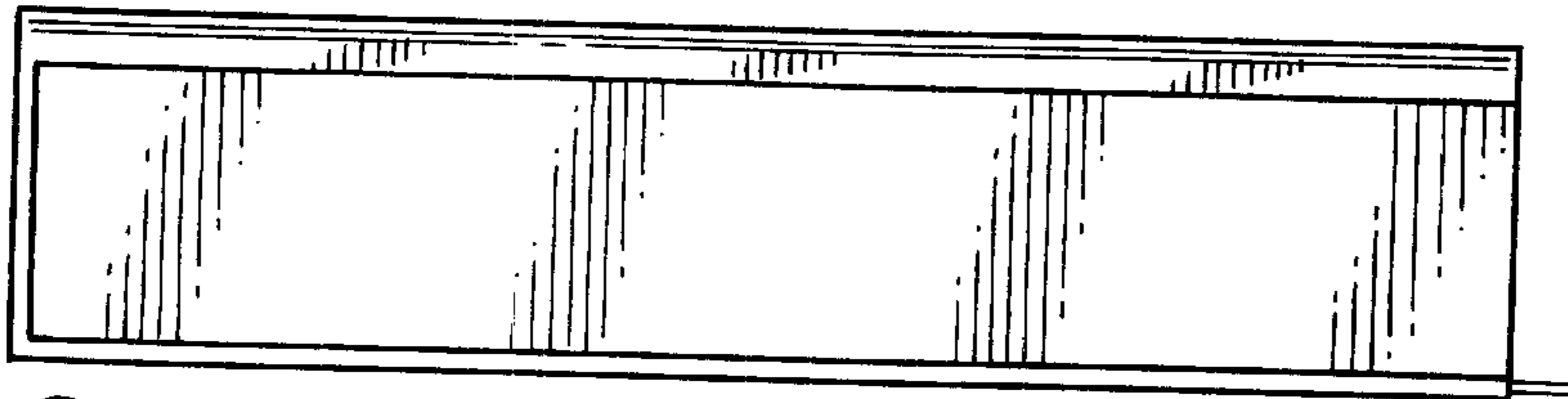


FIG. 13

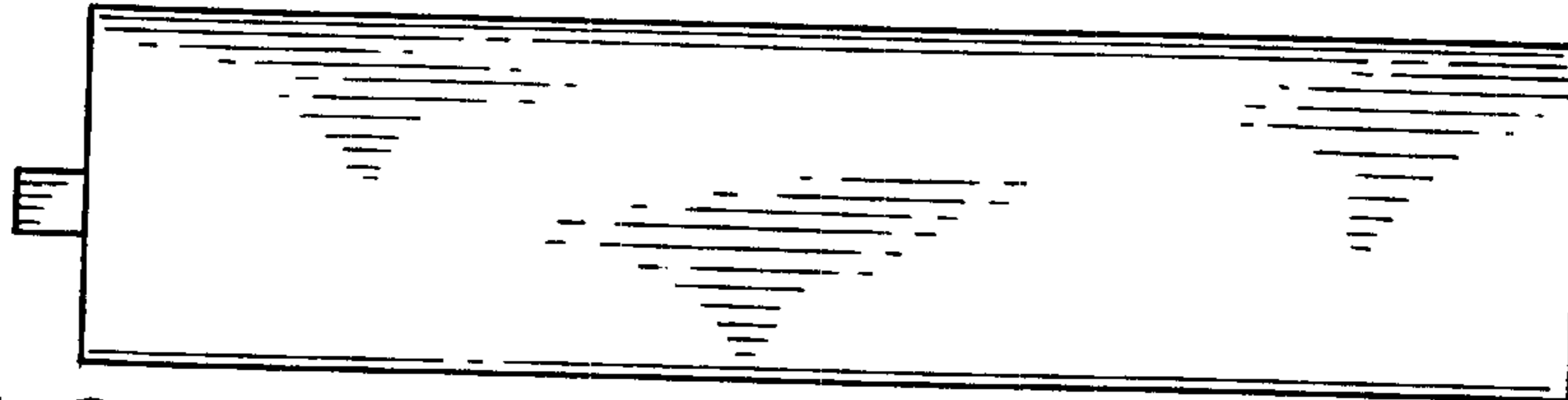


FIG. 14

