



US00D463867S

(12) **United States Design Patent**  
**Franson**

(10) **Patent No.:** **US D463,867 S**

(45) **Date of Patent:** **\*\* Oct. 1, 2002**

(54) **WINDOW COMPONENT EXTRUSION**

D428,164 S 7/2000 Cole

(75) Inventor: **Jeffrey R. Franson**, Maple Valley, WA  
(US)

\* cited by examiner

(73) Assignee: **Mikron Industries, Inc.**, Kent, WA  
(US)

*Primary Examiner*—Doris Clark

(74) *Attorney, Agent, or Firm*—Richardson & Folise

(\*\*) Term: **14 Years**

(57) **CLAIM**

(21) Appl. No.: **29/153,600**

The ornamental design for a window component extrusion,  
as shown and described.

(22) Filed: **Jan. 10, 2002**

**DESCRIPTION**

(51) **LOC (7) Cl.** ..... **25-01**

(52) **U.S. Cl.** ..... **D25/124**

(58) **Field of Search** ..... D25/52, 60, 119-125;  
49/DIG. 2, 504-505, 404, 413, 419, 407,  
408; 52/204.56, 204.51, 730.3, 205.1, 202

FIG. 1 is a top right perspective view of the window  
component extrusion which is broken in the center indicat-  
ing indefinite length; and,

FIG. 2 is a bottom left perspective view of the window  
component extrusion shown in FIG. 1.

(56) **References Cited**

**U.S. PATENT DOCUMENTS**

D428,163 S \* 7/2000 Oliver ..... D25/124

**1 Claim, 1 Drawing Sheet**

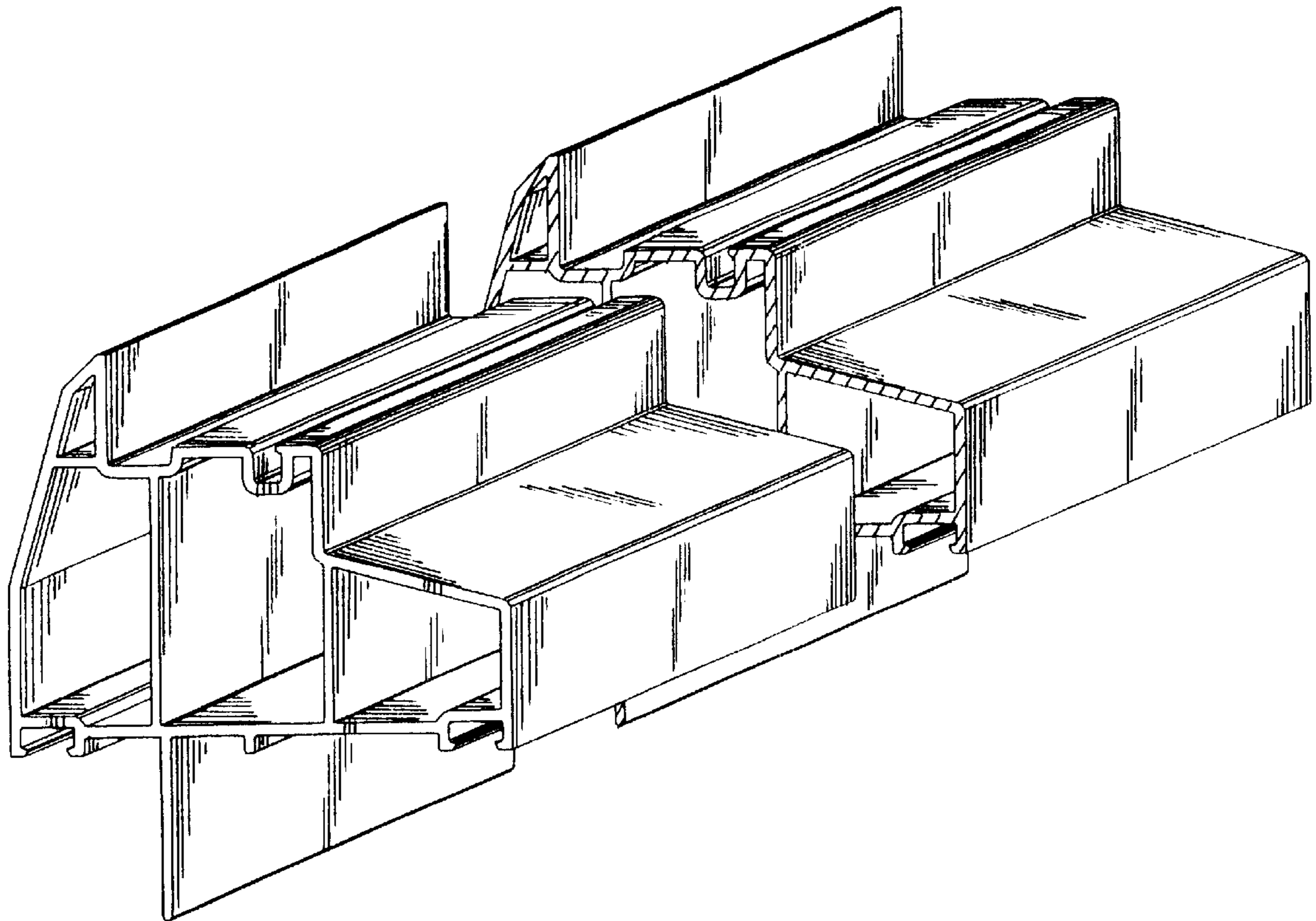


FIG. 1

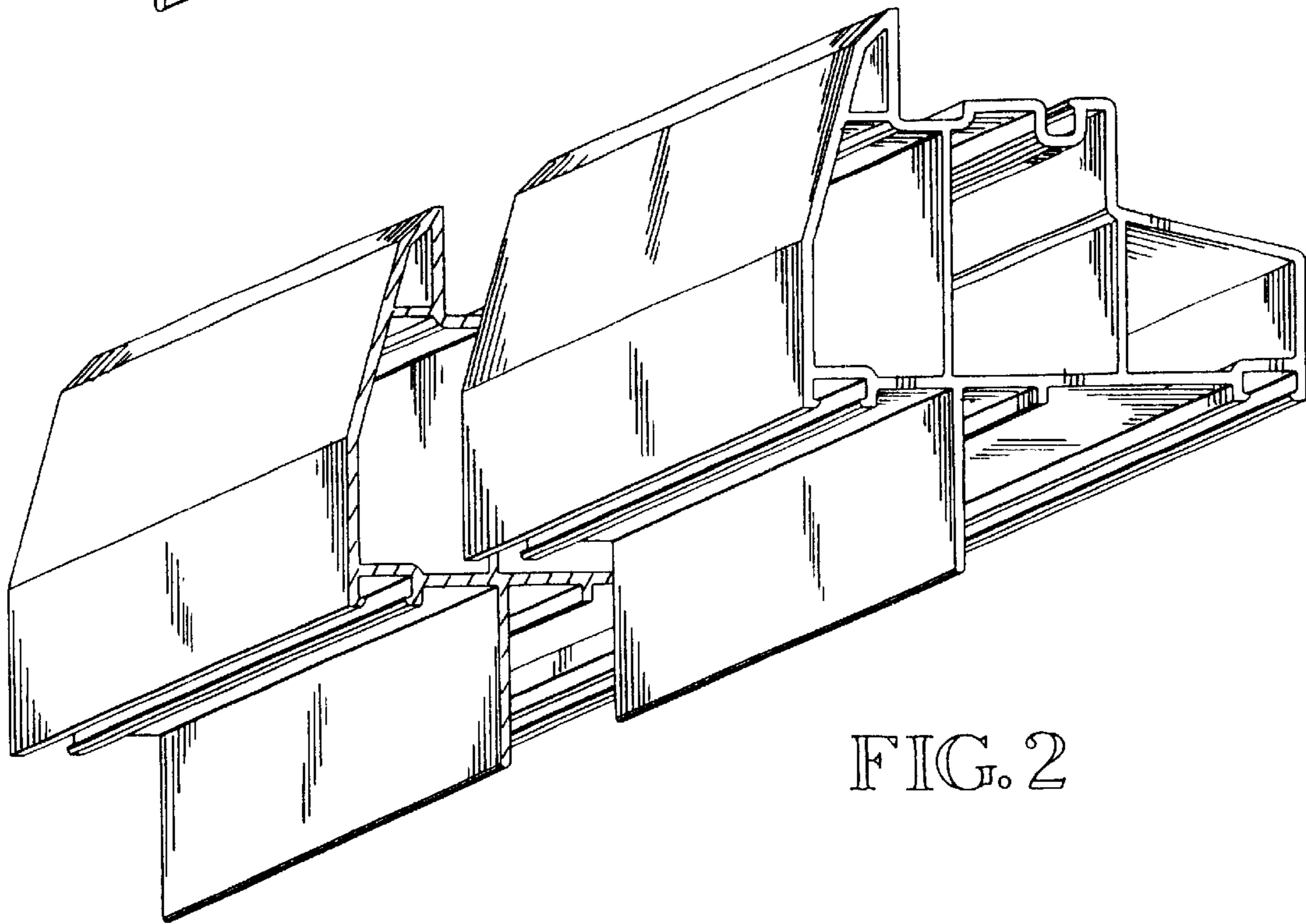
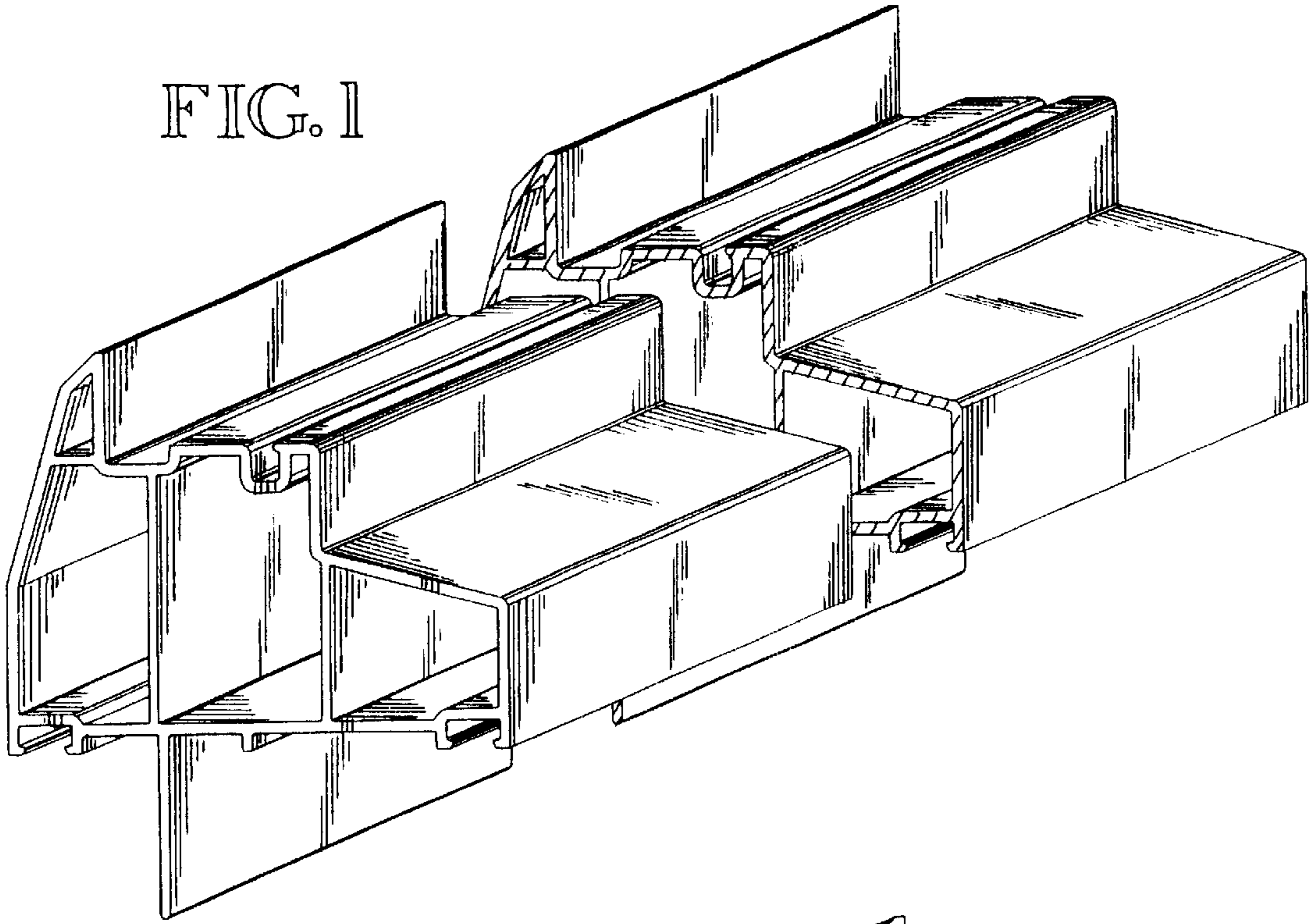


FIG. 2