



US00D463865S

(12) **United States Design Patent**
Badua

(10) **Patent No.:** **US D463,865 S**

(45) **Date of Patent:** **** Oct. 1, 2002**

(54) **RETRACTABLE GARAGE DOOR SCREEN**

Primary Examiner—Doris Clark

(74) *Attorney, Agent, or Firm*—Donald R. Schoonover

(76) **Inventor:** **Carmelito R. Badua**, 91-1006 Ho'Oilo Pl., Ewa Beach, HI (US) 96706

(57) **CLAIM**

(**) **Term:** **14 Years**

The ornamental design for a retractable garage door screen, as shown and described.

(21) **Appl. No.:** **29/147,164**

(22) **Filed:** **Aug. 24, 2001**

DESCRIPTION

(51) **LOC (7) Cl.** **25-02**

FIG. 1 is a perspective view of the retractable garage door screen embodying the design of the present invention;

(52) **U.S. Cl.** **D25/53**

FIG. 2 is a front elevational view thereof;

(58) **Field of Search** D25/53; 160/DIG. 8, 160/371, 100, 101, 117, 99, 201, 268.1

FIG. 3 is a rear elevational view thereof;

FIG. 4 is a side elevational view thereof;

FIG. 5 is a top plan view thereof; and,

FIG. 6 is a bottom plan view thereof.

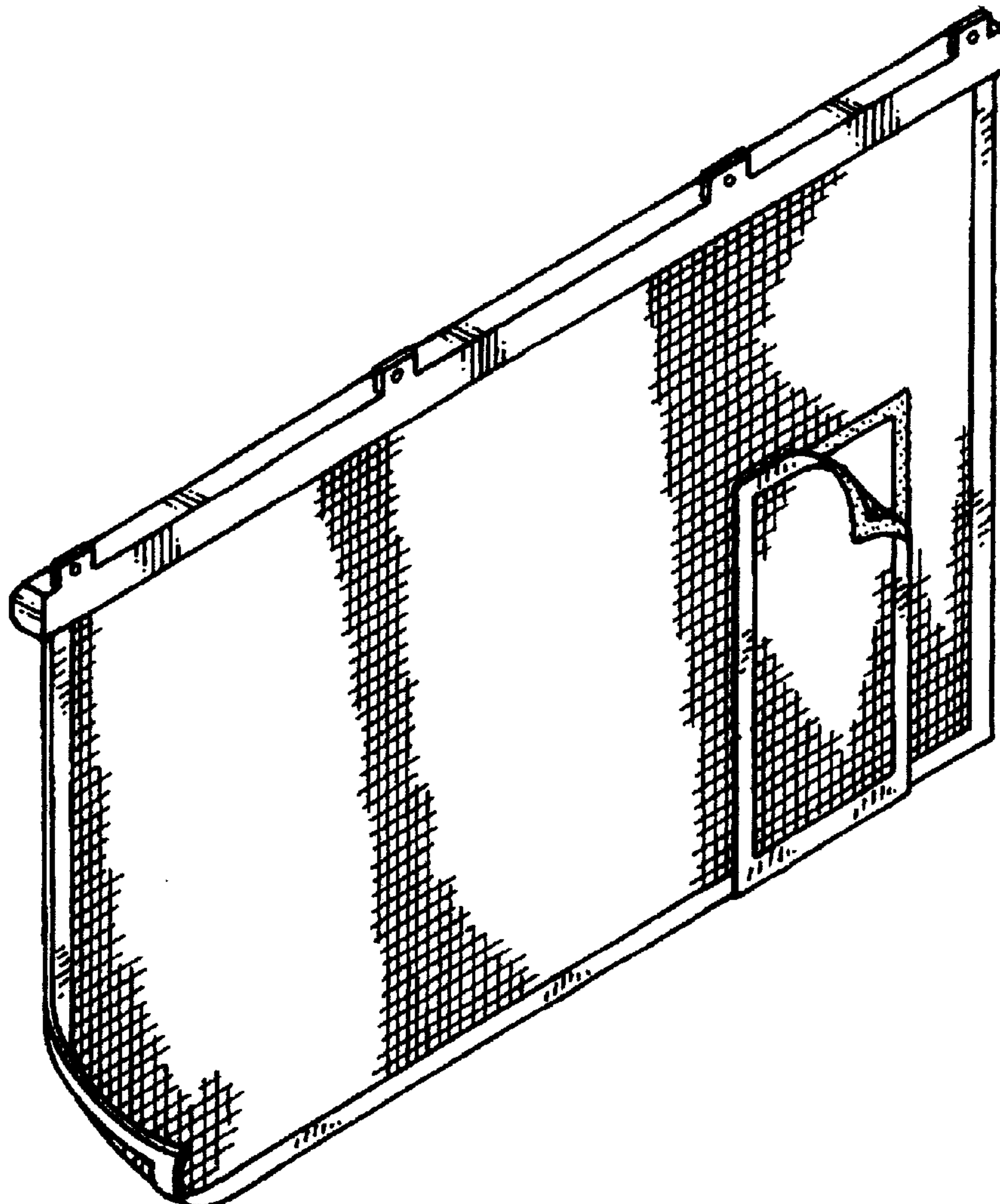
(56) **References Cited**

U.S. PATENT DOCUMENTS

4,673,019 A * 6/1987 Silverthorne et al. 160/268.1
D341,429 S * 11/1993 Welch D25/53

* cited by examiner

1 Claim, 3 Drawing Sheets



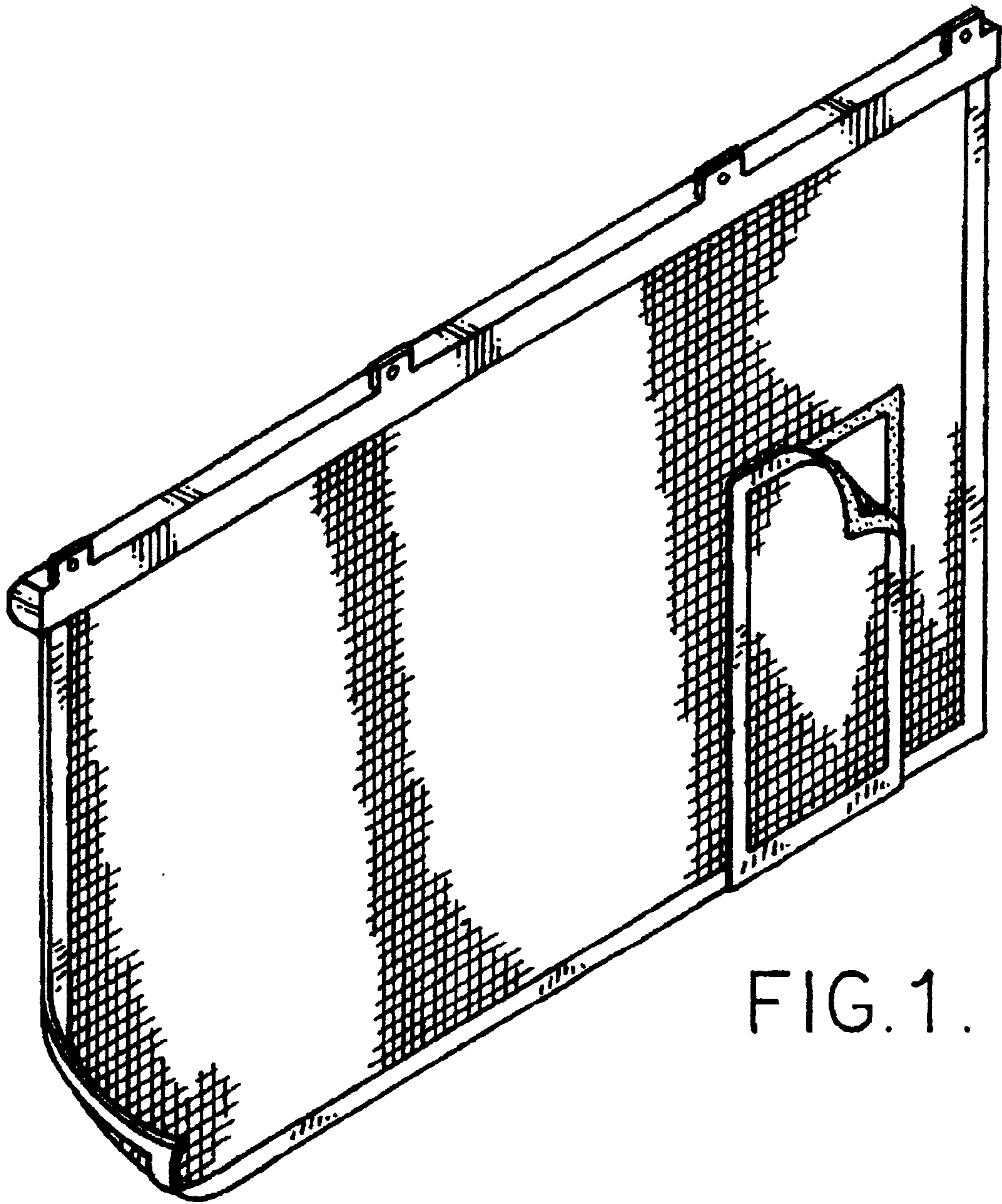


FIG. 1.

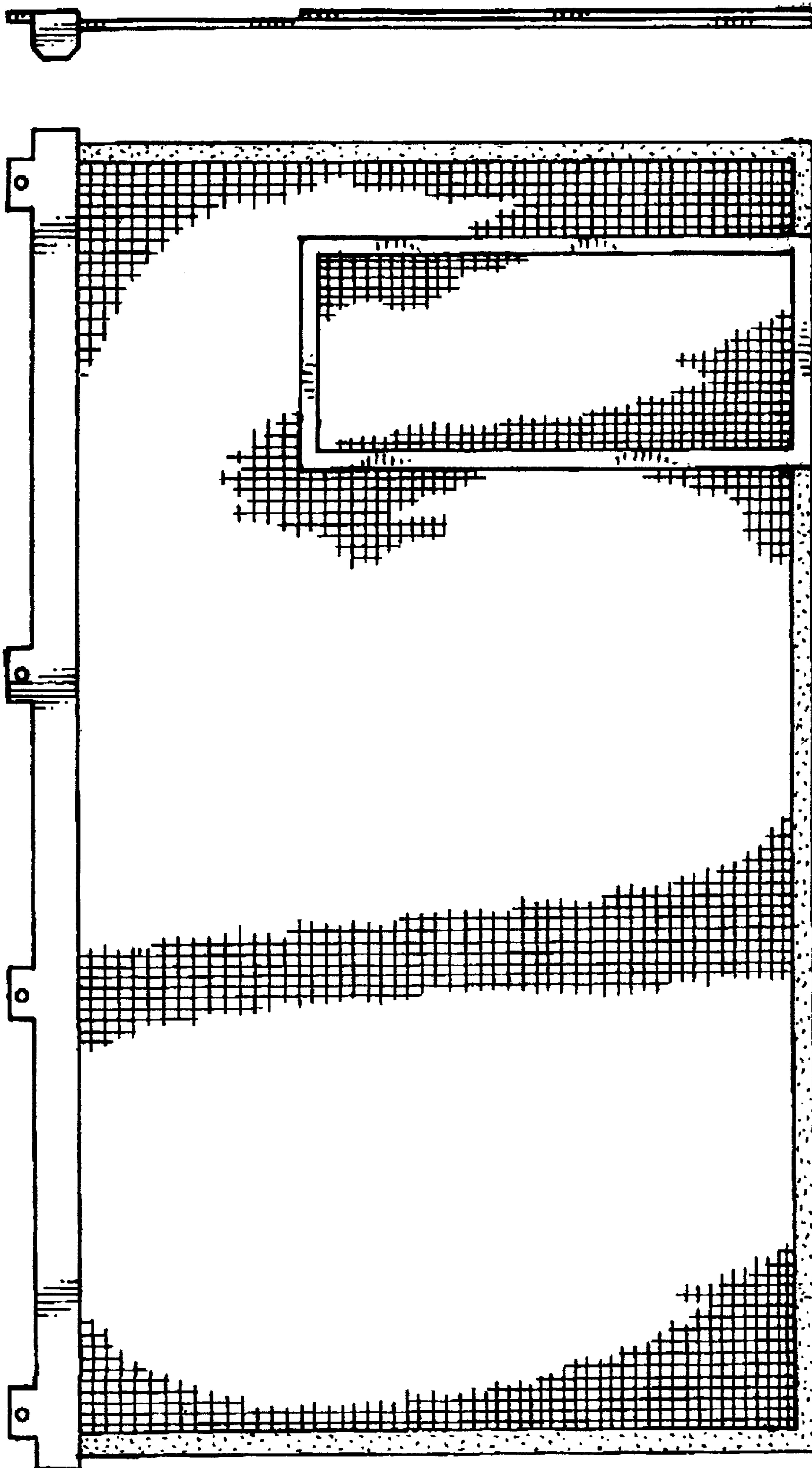


FIG. 2.

FIG. 4.

