



US00D463864S

(12) **United States Design Patent** (10) **Patent No.:** **US D463,864 S**  
**Treadwell et al.** (45) **Date of Patent:** **\*\* Oct. 1, 2002**

(54) **DISPOSABLE BIOLOGICAL FLUID CONTAINER**

5,540,898 A 7/1996 Davidson  
D425,625 S \* 5/2000 Niermann ..... D24/224

(75) Inventors: **Simon Treadwell**, Toronto (CA); **Taras Worona**, Etobicoke (CA); **Jeffrey G. Dayman**, Waterloo (CA)

**FOREIGN PATENT DOCUMENTS**

DE 3511159 A1 10/1986  
DE 4323295 C1 2/1995

(73) Assignee: **Vasogen Ireland Limited**, Shannon (IE)

**OTHER PUBLICATIONS**

Copy of International Search Report completed Nov. 28, 2000.

(\*\*) Term: **14 Years**

\* cited by examiner

(21) Appl. No.: **29/138,671**

*Primary Examiner*—Ian Simmons

(22) Filed: **Mar. 16, 2001**

(74) *Attorney, Agent, or Firm*—Burns, Doane, Swecker & Mathis L.L.P.

(51) **LOC (7) Cl.** ..... **24-02**

(52) **U.S. Cl.** ..... **D24/224; D24/216**

(58) **Field of Search** ..... D24/224, 216; 422/102, 104, 103; 604/403, 903, 6.15, 4.01

(57) **CLAIM**

The ornamental design for a disposable biological fluid container, as shown and described.

(56) **References Cited**

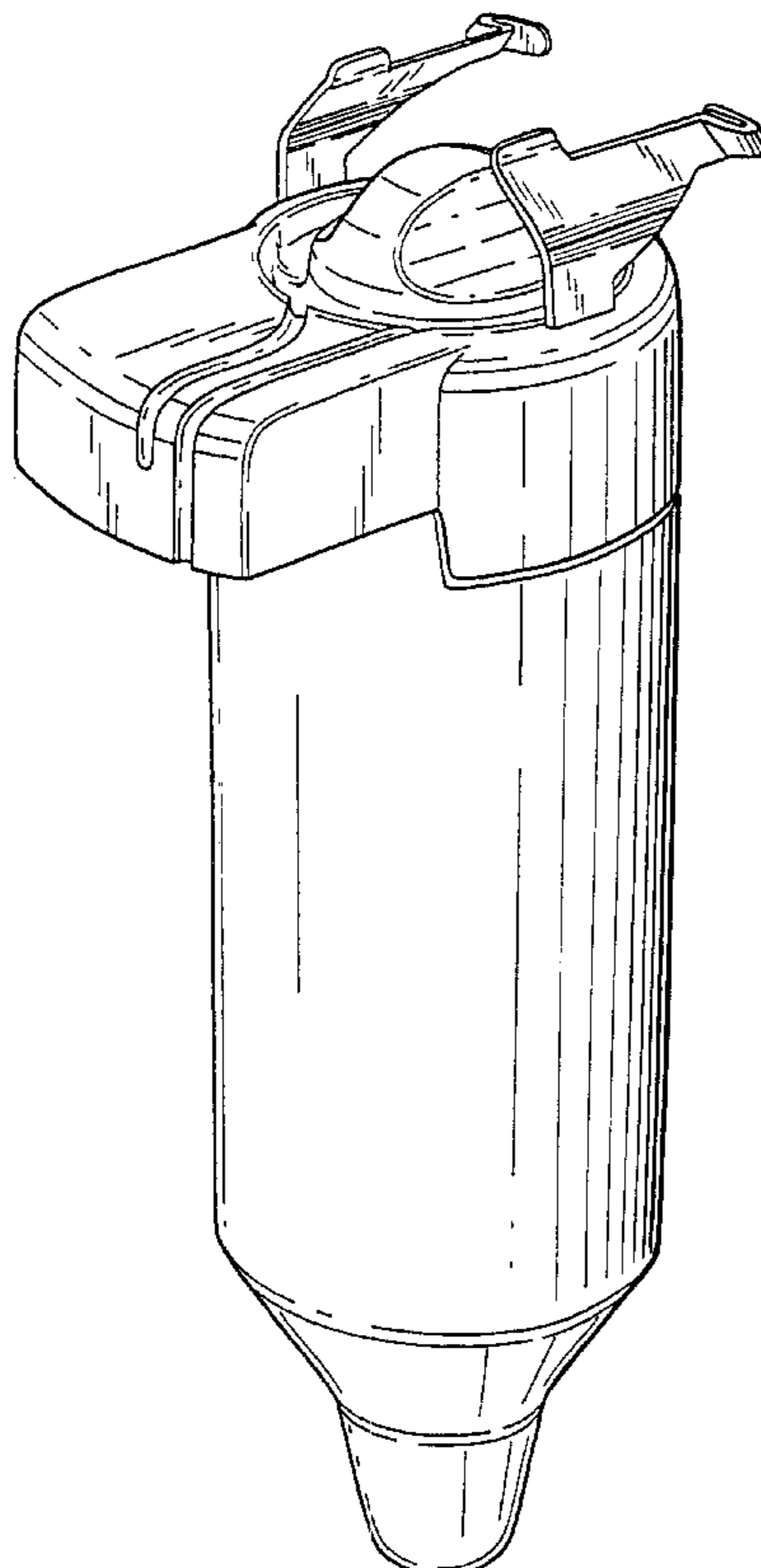
**DESCRIPTION**

**U.S. PATENT DOCUMENTS**

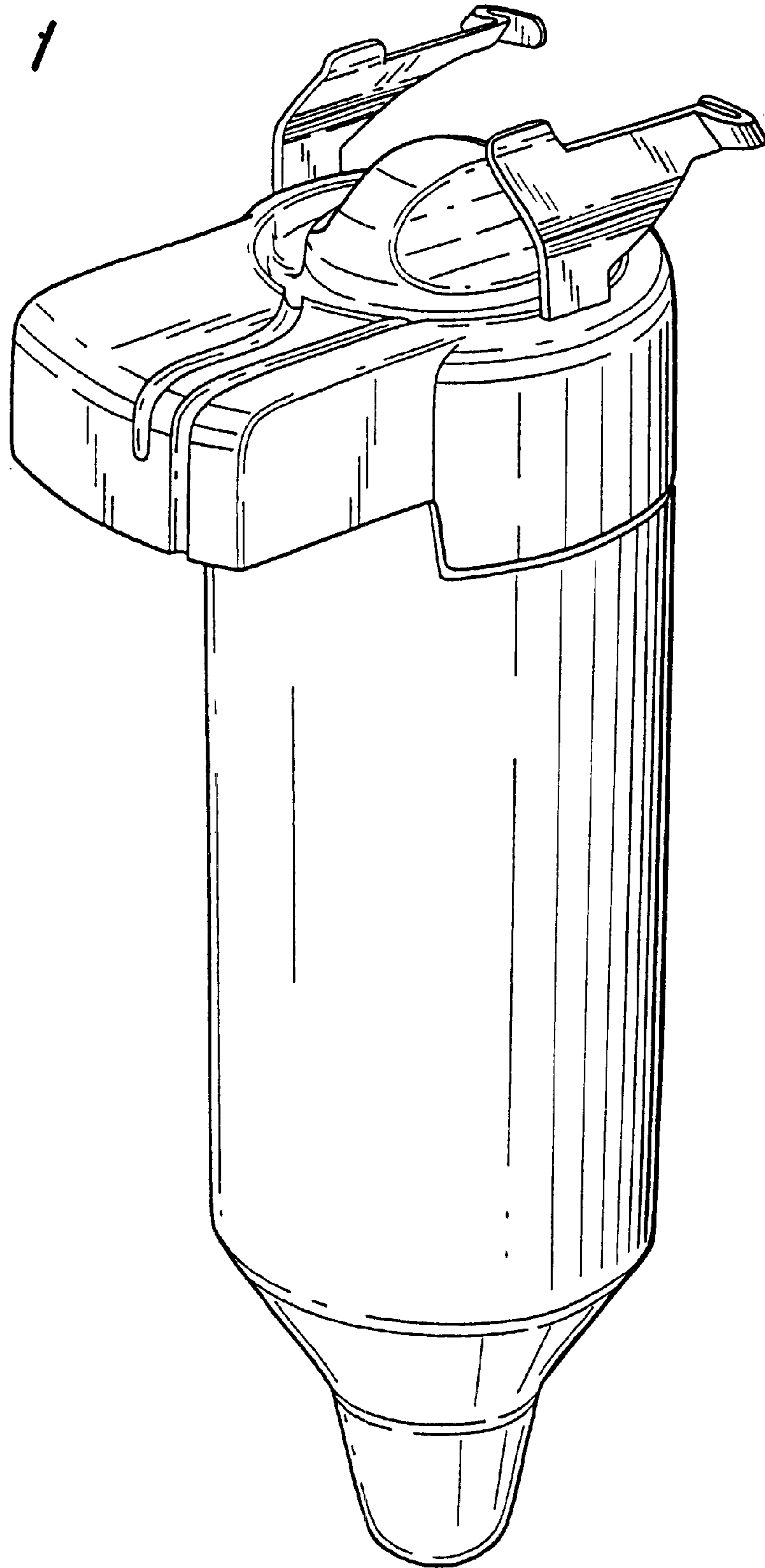
- D232,355 S \* 8/1974 Wiedmann ..... D24/224
- 3,946,731 A 3/1976 Lichtenstein
- D304,997 S \* 12/1989 Baxter ..... D24/224
- 4,968,483 A 11/1990 Müller et al.
- 5,037,390 A 8/1991 Raines et al.
- D325,444 S \* 4/1992 Murashita et al. .... D24/224
- 5,324,481 A \* 6/1994 Dunn et al. .... 422/103
- 5,466,229 A 11/1995 Elson et al.

FIG. 1 is a perspective view of disposable biological fluid container showing our new design;  
FIG. 2 is a front view thereof;  
FIG. 3 is a right side view thereof, the left side view being a mirror image thereto;  
FIG. 4 is a top plan view thereof;  
FIG. 5 is a bottom plan view thereof; and,  
FIG. 6 is a rear view thereof.

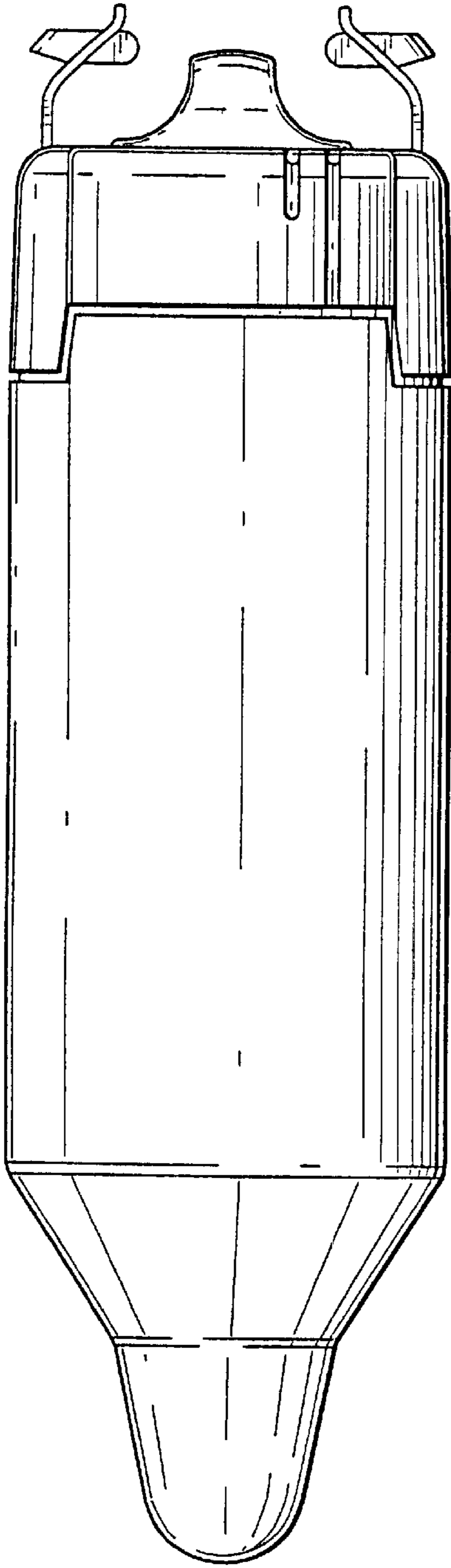
**1 Claim, 3 Drawing Sheets**



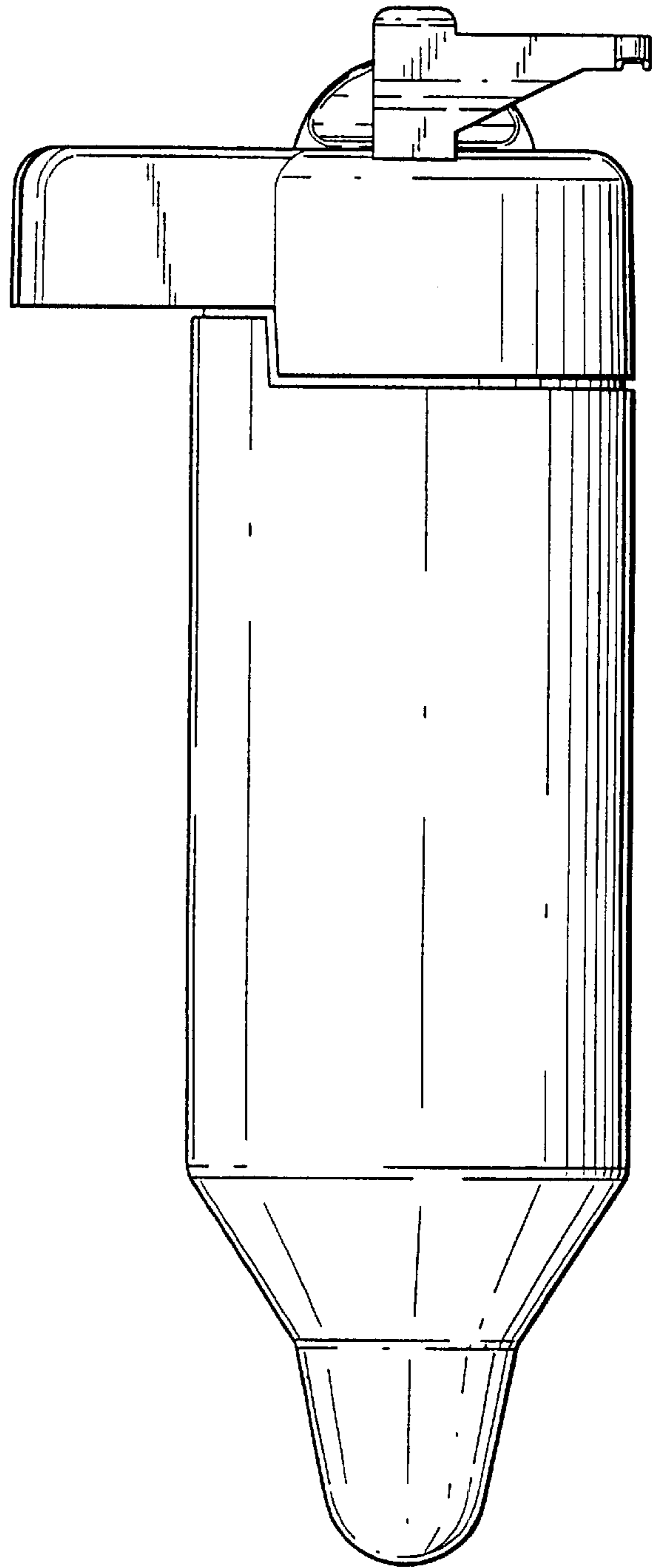
*Fig. 1*



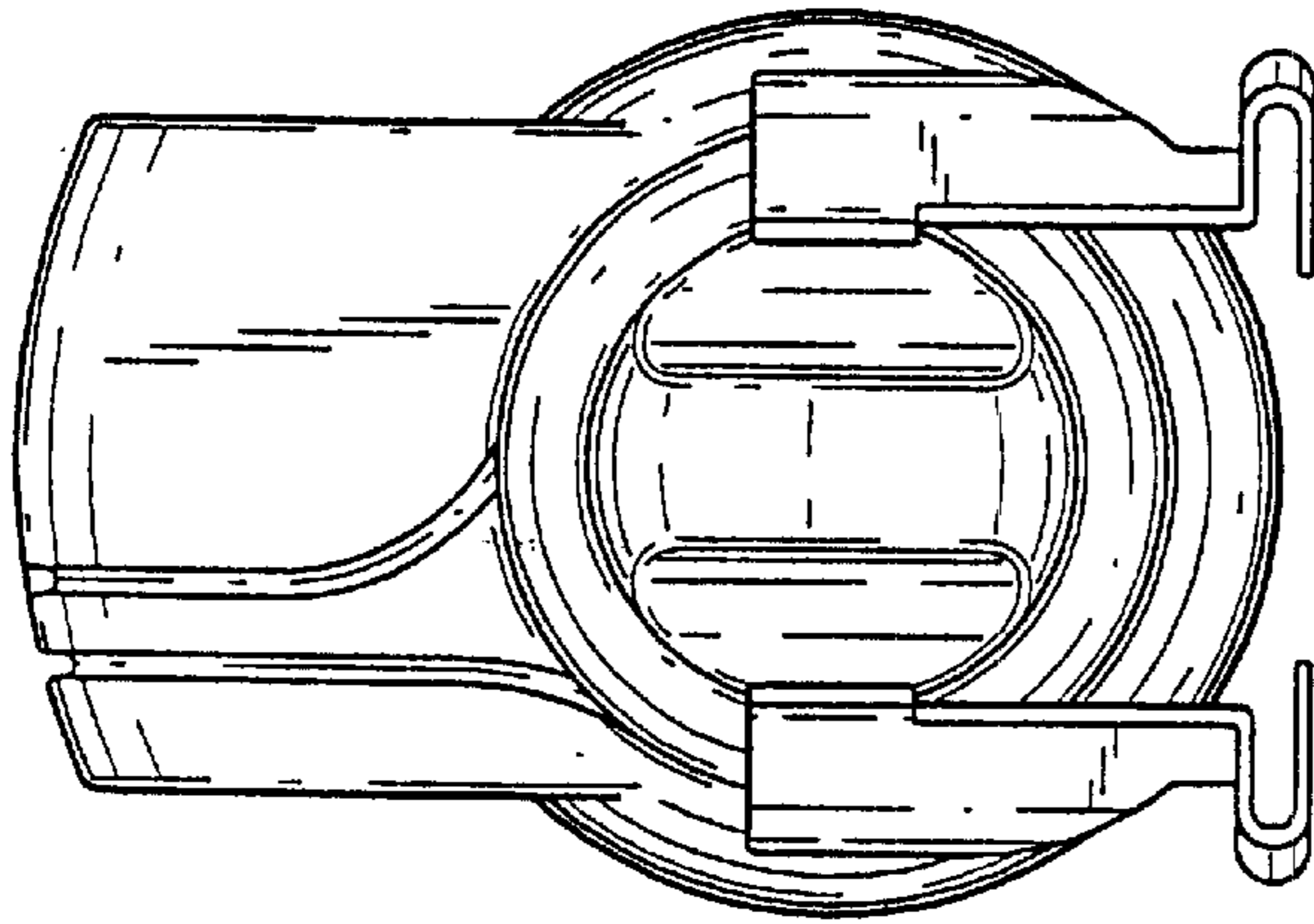
*Fig. 2*



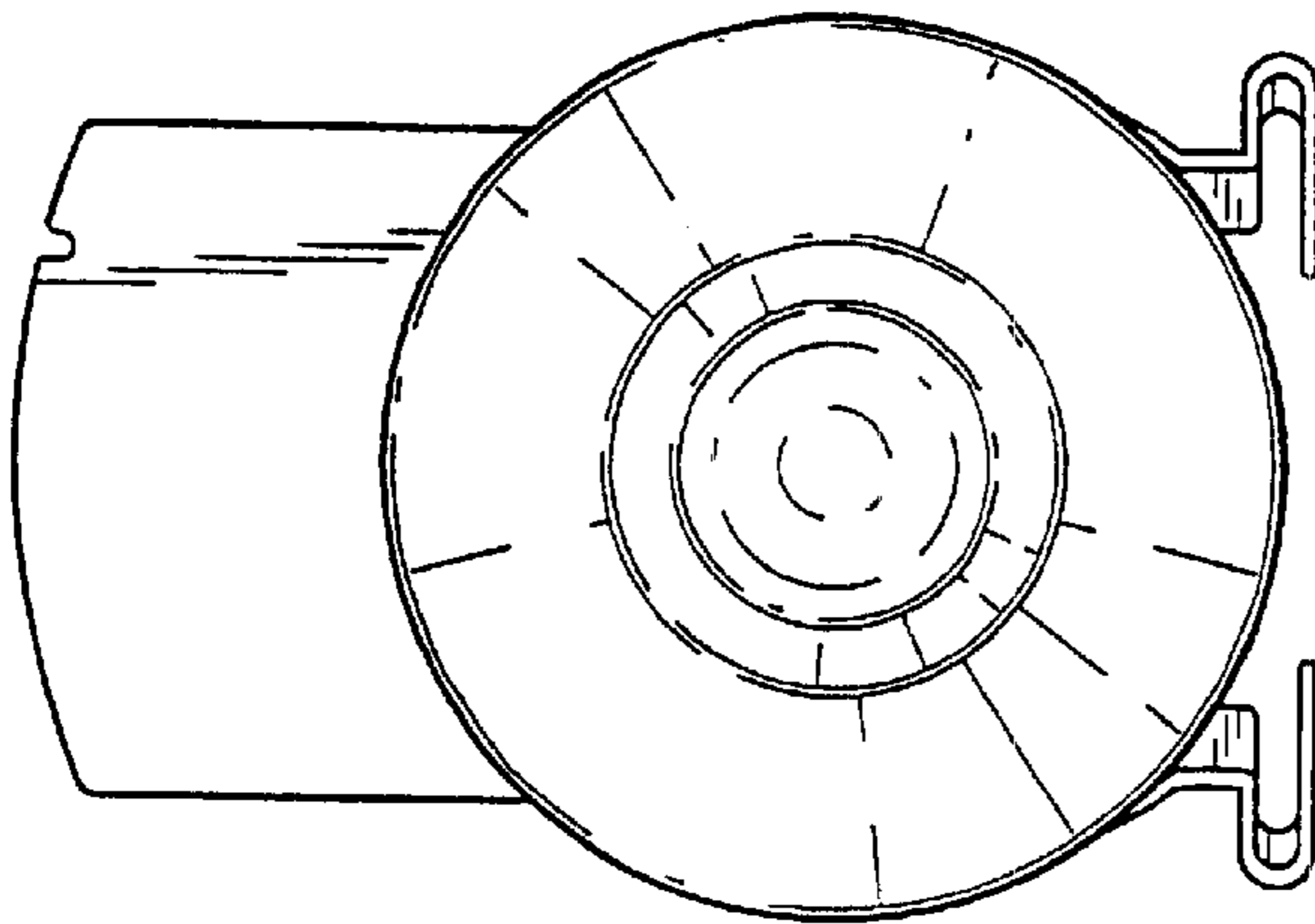
*Fig. 3*



*Fig. 4*



*Fig. 5*



*Fig. 6*

