



US00D463858S

(12) **United States Design Patent**
Sherrod et al.

(10) **Patent No.:** **US D463,858 S**

(45) **Date of Patent:** **** Oct. 1, 2002**

(54) **ABSORBENT GARMENT WITH SUPPLEMENTAL PAD INSERT**

(75) **Inventors:** **Earle Harry Sherrod**, Appleton, WI (US); **Herb Flores Velazquez**, Neenah, WI (US); **Bonnie Jean Montgomery**, Oshkosh, WI (US)

(73) **Assignee:** **Kimberly-Clark Worldwide, Inc.**, Neenah, WI (US)

(**) **Term:** **14 Years**

(21) **Appl. No.:** **29/139,848**

(22) **Filed:** **Apr. 6, 2001**

(51) **LOC (7) Cl.** **24-04**

(52) **U.S. Cl.** **D24/125; D24/124**

(58) **Field of Search** **D24/124, 125; 604/358, 364, 365, 372-378, 383, 385.1, 386, 396, 399**

(56) **References Cited**

U.S. PATENT DOCUMENTS

3,088,462	A	*	5/1963	Muto	604/399
3,424,162	A	*	1/1969	Parravicini	604/396
D269,907	S	*	7/1983	Tong	D24/126
5,160,331	A	*	11/1992	Forester et al.	604/364
D342,996	S		1/1994	Pearlstein et al.		
D345,014	S		3/1994	Huffman		

D347,892	S		6/1994	Gegelys et al.		
D347,893	S		6/1994	Gegelys et al.		
D348,102	S		6/1994	Gegelys et al.		
D350,196	S		8/1994	Huffman		
D350,197	S	*	8/1994	Huffman	D24/124
D353,670	S	*	12/1994	Huffman	D24/124
D411,007	S		6/1999	Peck		
D432,234	S		10/2000	Schlinz et al.		
D432,235	S		10/2000	Schlinz et al.		
D432,650	S		10/2000	Schlinz et al.		
D434,145	S		11/2000	Sugahara		
D436,400	S		1/2001	Kiecker		

* cited by examiner

Primary Examiner—Stella Reid

(74) *Attorney, Agent, or Firm*—Thomas J. Connelly

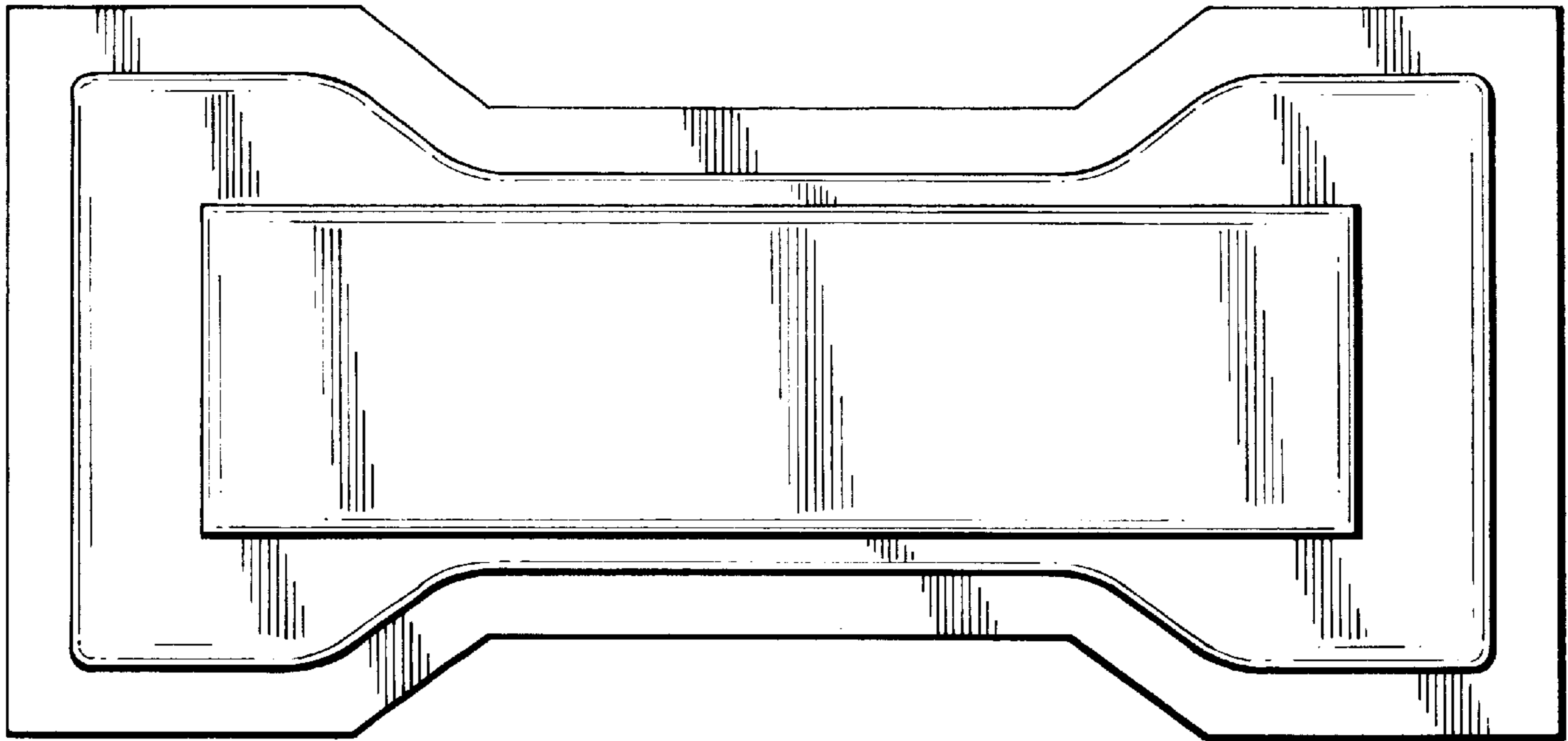
(57) **CLAIM**

We claim the ornamental design for an absorbent garment with supplemental pad insert, as shown and described.

DESCRIPTION

FIG. 1 is a top view of an absorbent garment with supplemental pad insert, showing our new design; FIG. 2 is a left end view thereof; FIG. 3 is a right end view thereof; FIG. 4 is a bottom view thereof; FIG. 5 is a side view thereof; and, FIG. 6 is a side view thereof, opposite that shown in FIG. 5.

1 Claim, 2 Drawing Sheets



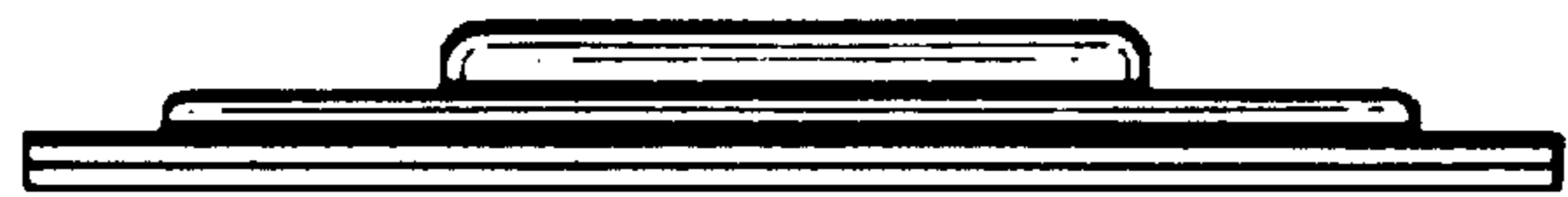
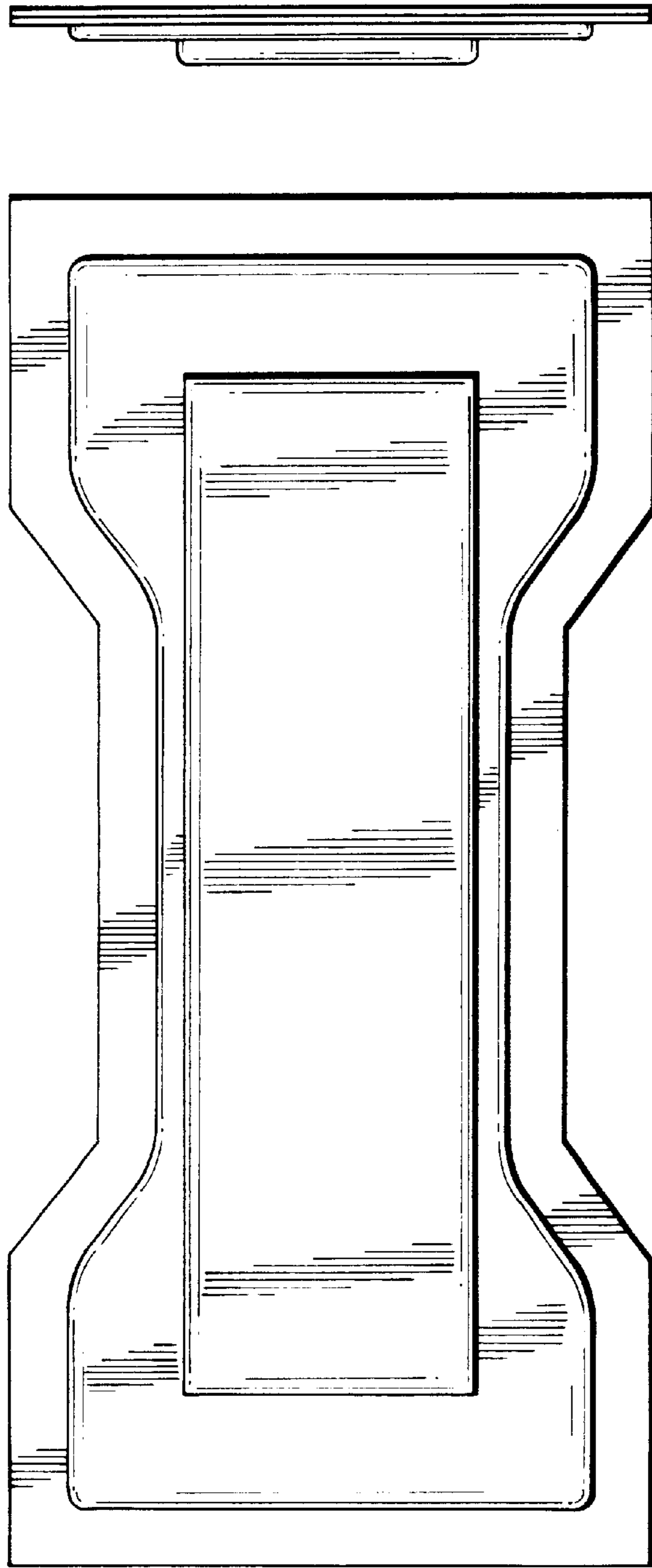


FIG. 3

FIG. 1

FIG. 2

FIG. 5

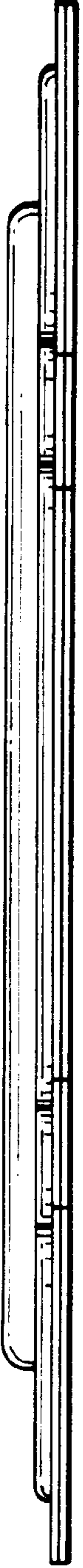


FIG. 4

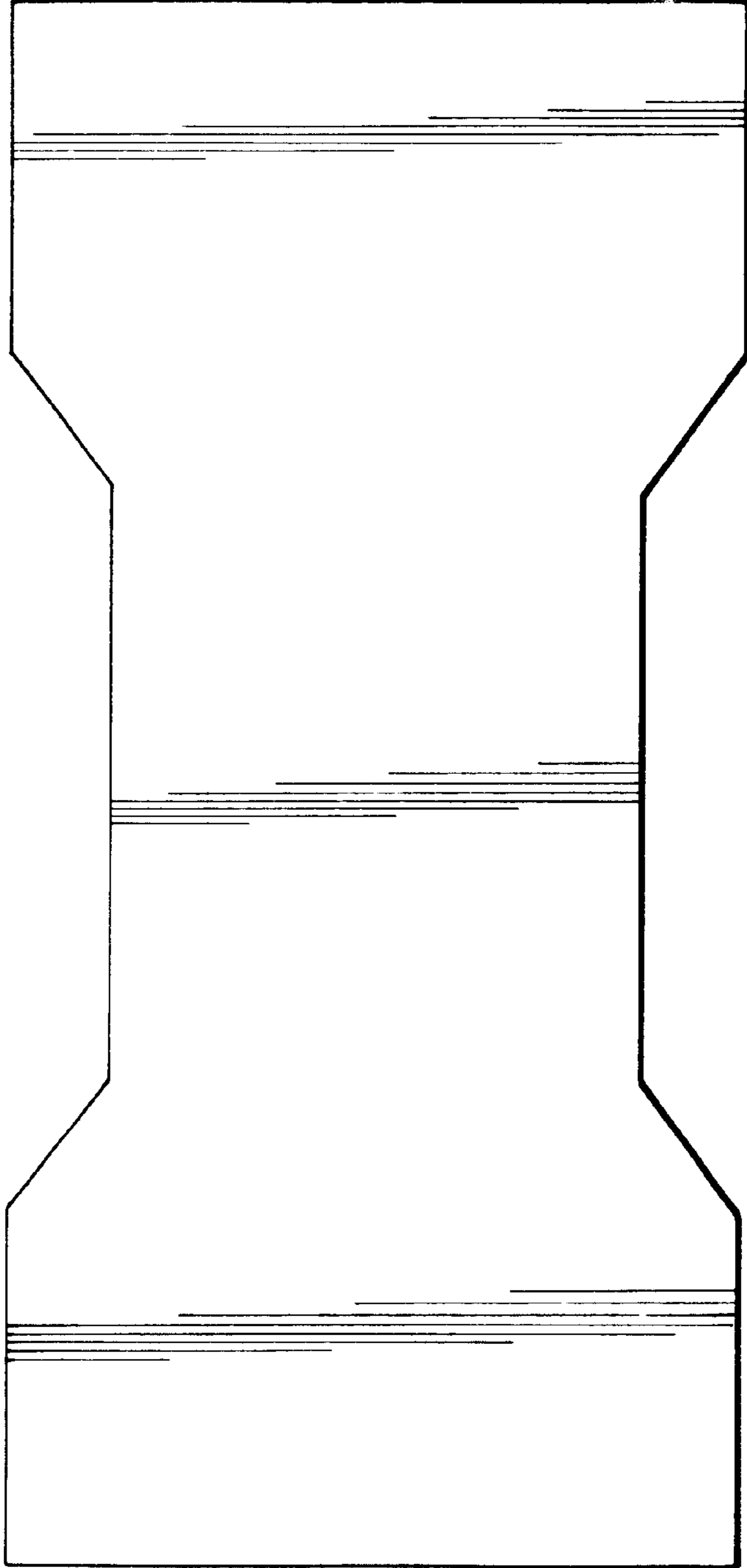


FIG. 6

