



US00D463852S

(12) **United States Design Patent**  
**Bertoli**

(10) **Patent No.:** **US D463,852 S**

(45) **Date of Patent:** **\*\* Oct. 1, 2002**

(54) **SHOWER COLUMN**

5,983,419 A \* 11/1999 Carroll ..... 4/615

(75) Inventor: **Franco Bertoli**, Milan (IT)

\* cited by examiner

(73) Assignee: **American Standard International Inc.**, New York, NY (US)

*Primary Examiner*—Louis S. Zarfes  
*Assistant Examiner*—Robert A. Delehanty

(\*\*) Term: **14 Years**

(21) Appl. No.: **29/127,719**

(22) Filed: **Aug. 10, 2000**

(30) **Foreign Application Priority Data**

Feb. 11, 2000 (IT) ..... RE0000004

(51) **LOC (7) Cl.** ..... **23-02**

(52) **U.S. Cl.** ..... **D23/304**

(58) **Field of Search** ..... D23/275, 283,  
D23/304, 228; 4/567-568, 570, 596-597,  
615; 248/125.1

(56) **References Cited**

**U.S. PATENT DOCUMENTS**

D391,341 S \* 2/1998 Sutherland ..... D23/304 X

(57) **CLAIM**

The ornamental design for a shower column, as shown and described.

**DESCRIPTION**

FIG. 1 is a perspective view of a shower column showing my new design;

FIG. 2 is a top plan view;

FIG. 3 is a front elevational view; and,

FIG. 4 is a side elevational view.

**1 Claim, 2 Drawing Sheets**

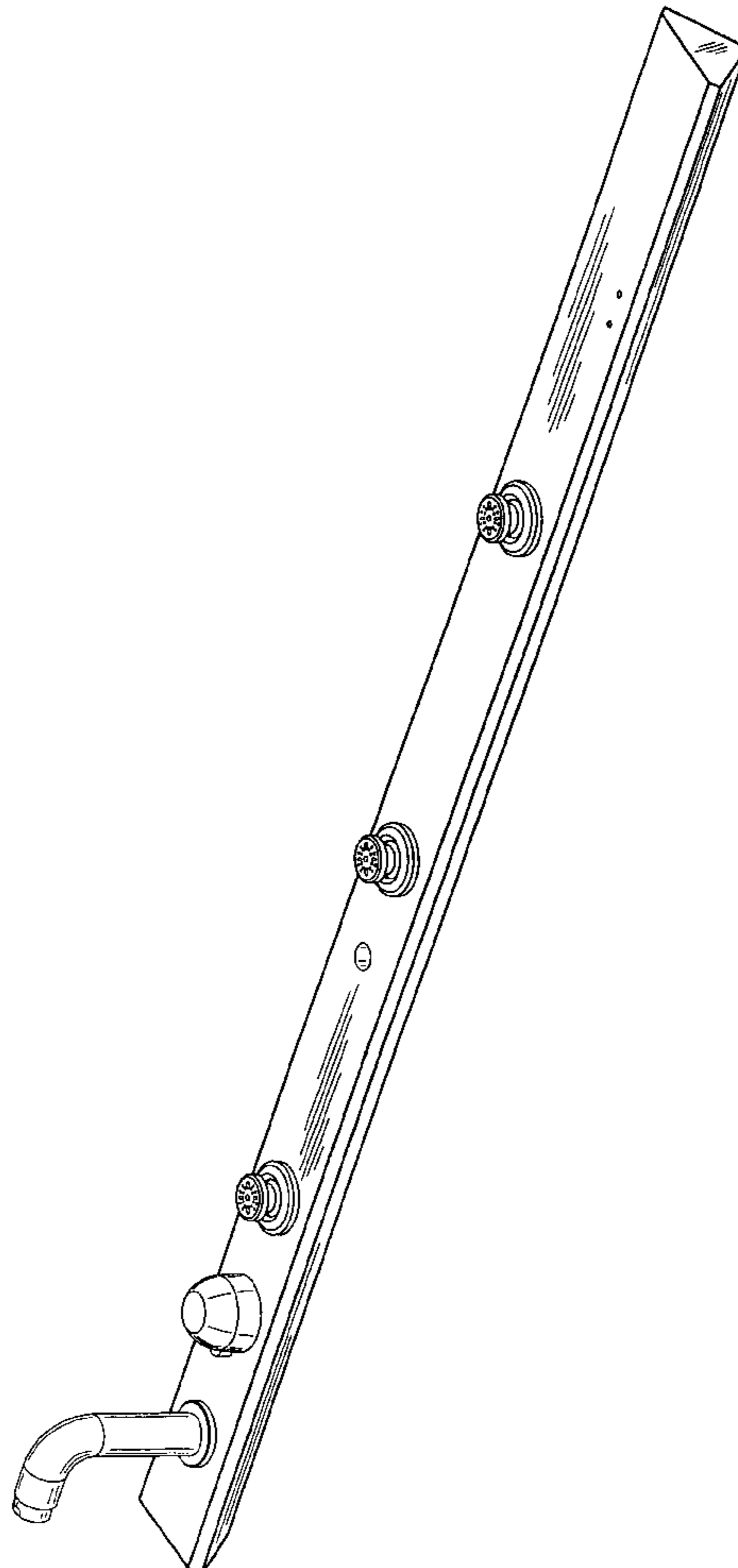


FIG. 1

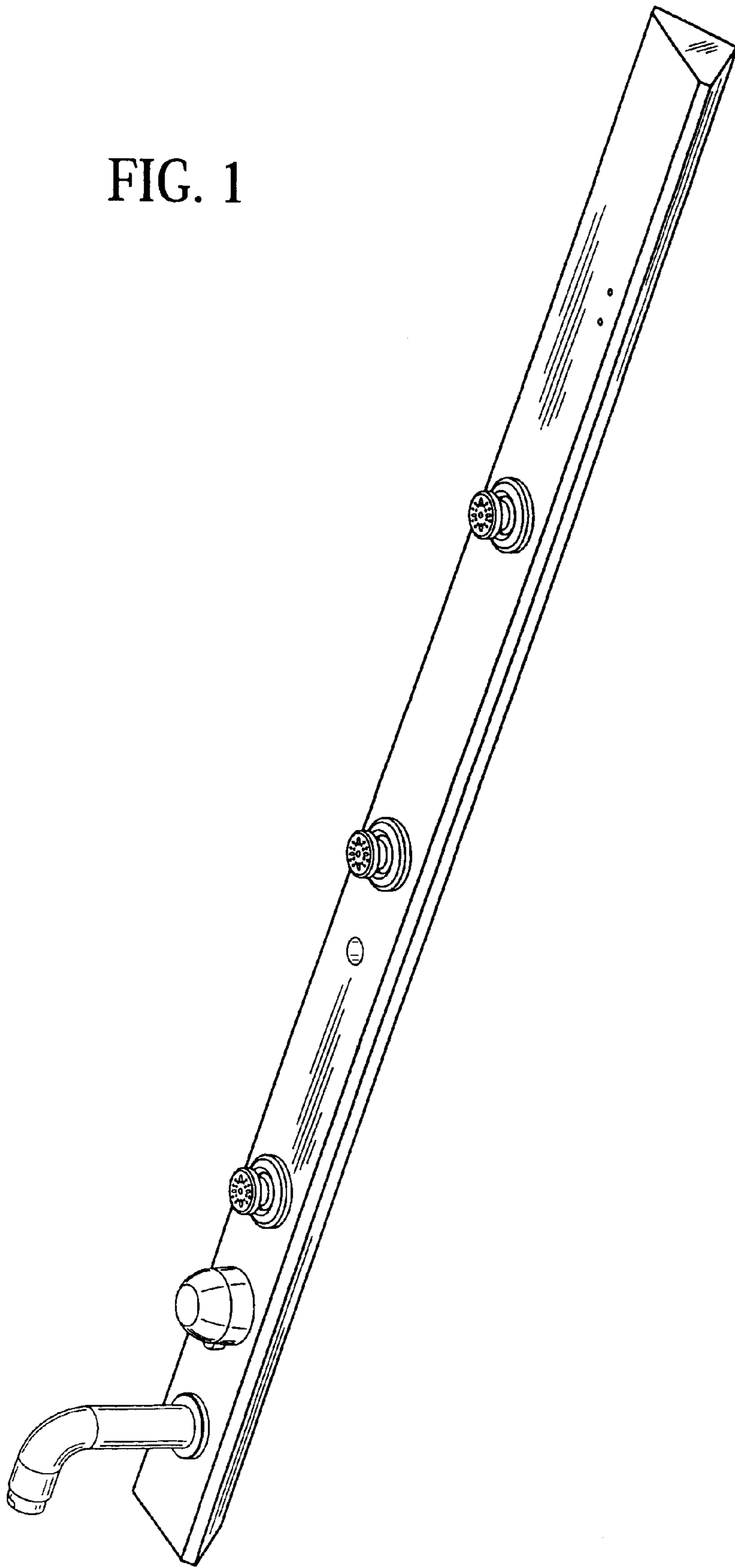


FIG. 2

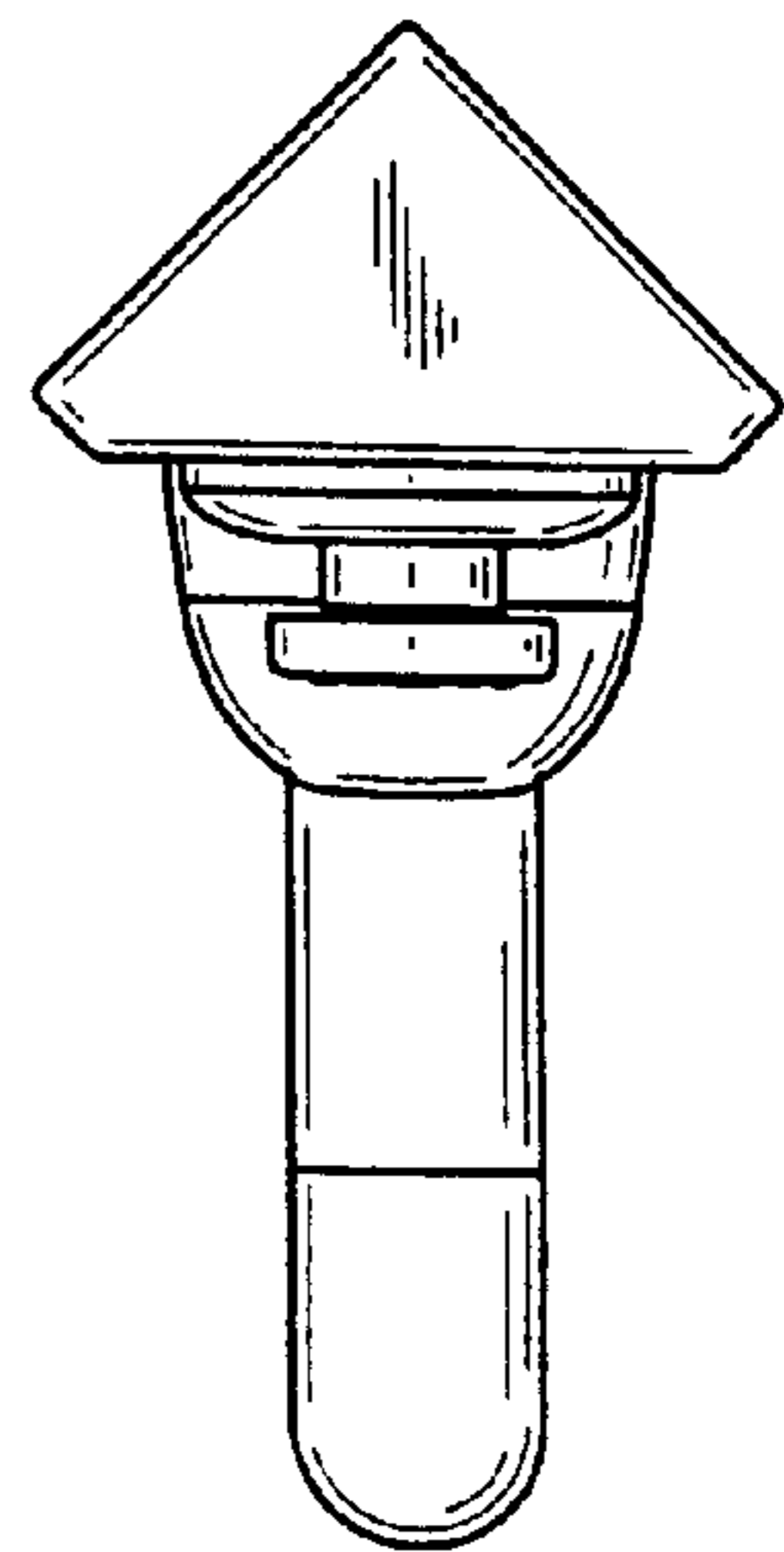


FIG. 3

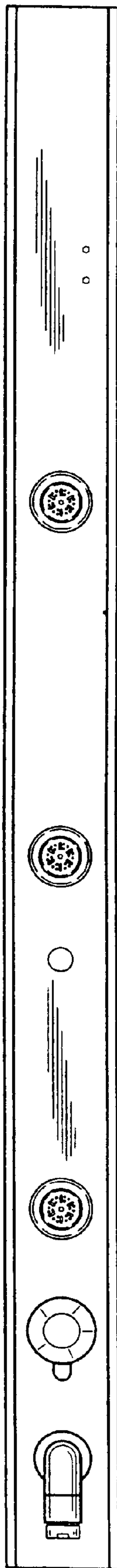


FIG. 4

