



US00D463850S

(12) **United States Design Patent**
Green et al.

(10) **Patent No.:** **US D463,850 S**

(45) **Date of Patent:** **** Oct. 1, 2002**

(54) **FAUCET SPOUT**

(75) Inventors: **Eric Green**, Cleveland Heights, OH (US); **Douglas A. Kemp**, North Ridgeville, OH (US)

(73) Assignee: **Moen Incorporated**, North Olmsted, OH (US)

(**) Term: **14 Years**

(21) Appl. No.: **29/135,866**

(22) Filed: **Jan. 19, 2001**

(51) **LOC (7) Cl.** **23-01**

(52) **U.S. Cl.** **D23/255**

(58) **Field of Search** D23/238-243, D23/250-257; 4/675-678; 137/801; D8/300-310

(56) **References Cited**

U.S. PATENT DOCUMENTS

D359,112 S	*	6/1995	Mark et al.	D23/238
D363,535 S	*	10/1995	Hill et al.	D23/238
D365,142 S	*	12/1995	Hill et al.	D23/255
D368,956 S	*	4/1996	Haug et al.	D23/238
D379,848 S	*	6/1997	Doughty et al.	D23/255
D387,132 S	*	12/1997	Donahue et al.	D23/238
D390,639 S	*	2/1998	Ming-Hua	D23/243
D398,038 S	*	9/1998	Donahue et al.	D23/241
D405,164 S	*	2/1999	Lord	D23/255

D406,637 S	*	3/1999	Fabian	D23/243
D409,281 S	*	5/1999	Lord	D23/238
D409,285 S	*	5/1999	Donahue et al.	D23/241
D413,966 S	*	9/1999	Pitsch	D23/255
D414,547 S	*	9/1999	Pitsch	D23/243
D422,343 S	*	4/2000	Lord	D23/255
D424,173 S	*	5/2000	Donahue et al.	D23/243
D431,284 S	*	9/2000	Pitsch	D23/255
D448,833 S	*	10/2001	Pitsch	D23/255

* cited by examiner

Primary Examiner—Louis S. Zarfes

Assistant Examiner—Gregory Andoll

(74) *Attorney, Agent, or Firm*—Cook, Alex, McFarron, Manzo, Cummings & Mehler, Ltd.

(57) **CLAIM**

The ornamental design for a faucet spout, as shown and described.

DESCRIPTION

FIG. 1 is a perspective view of our new design for a faucet spout;

FIG. 2 is a front view thereof;

FIG. 3 is a rear view thereof;

FIG. 4 is a left side view thereof, the right side being the same as the left side;

FIG. 5 is a top view thereof; and,

FIG. 6 is a bottom view thereof.

1 Claim, 1 Drawing Sheet

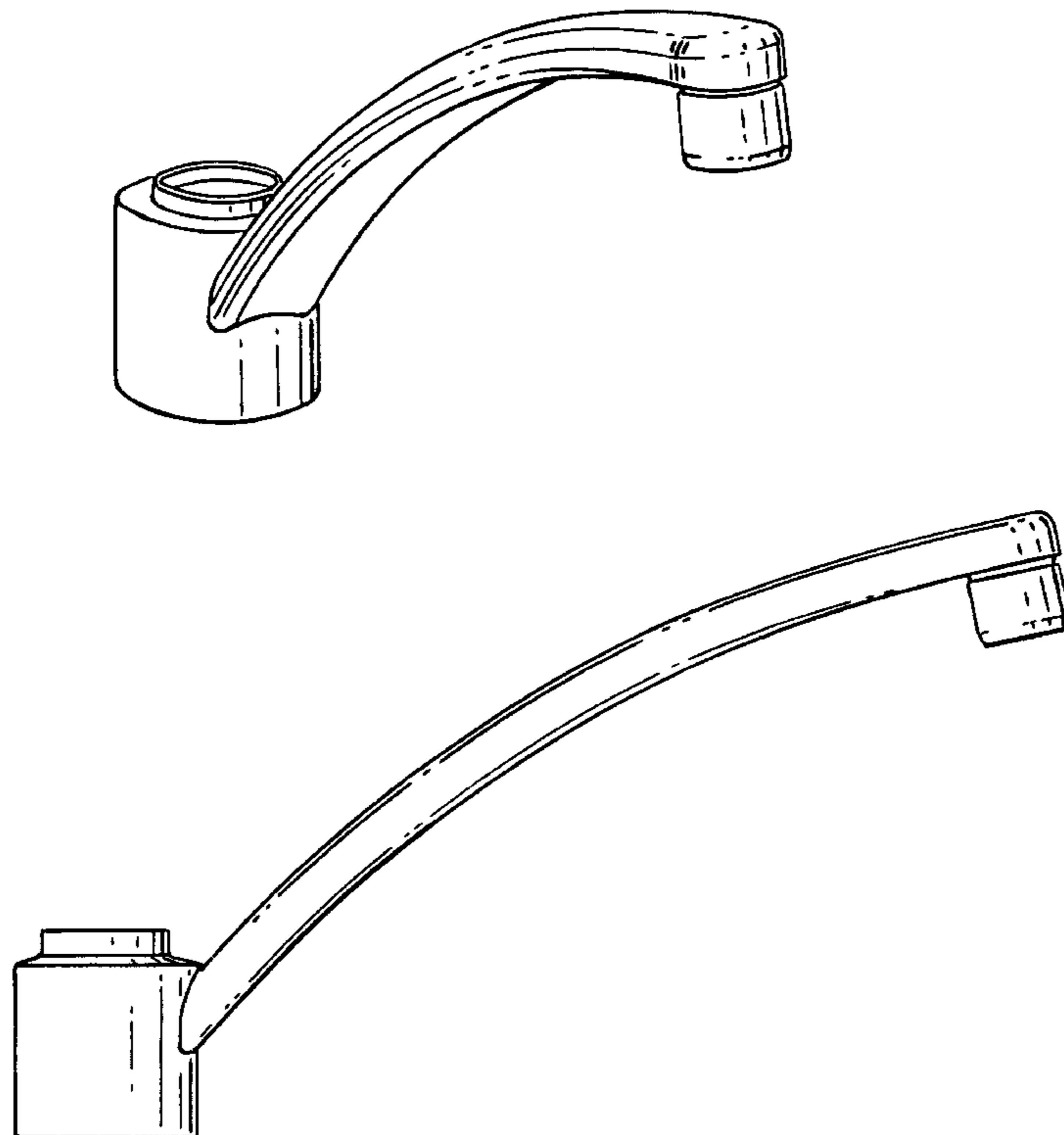


FIG. 1.

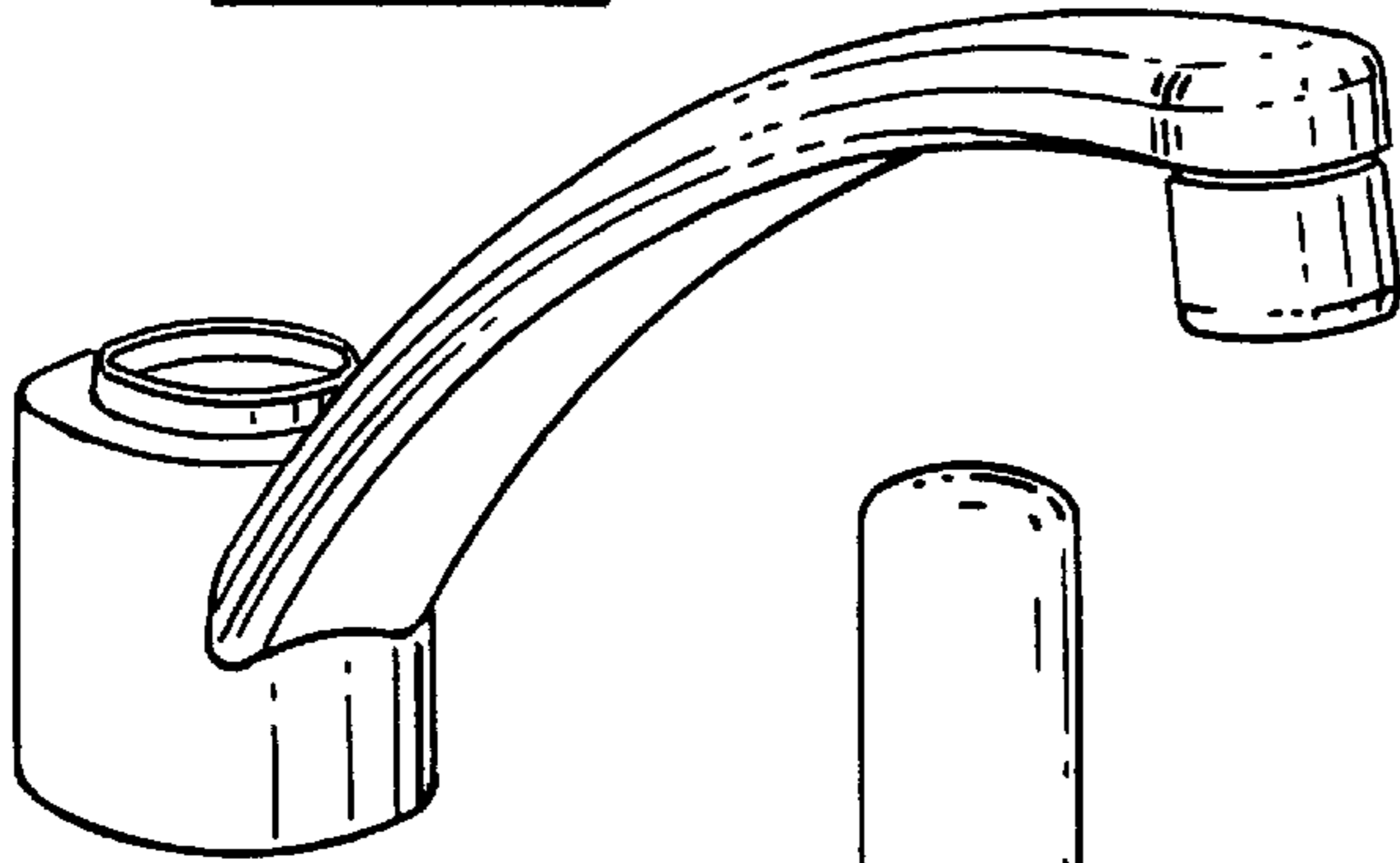


FIG. 2.

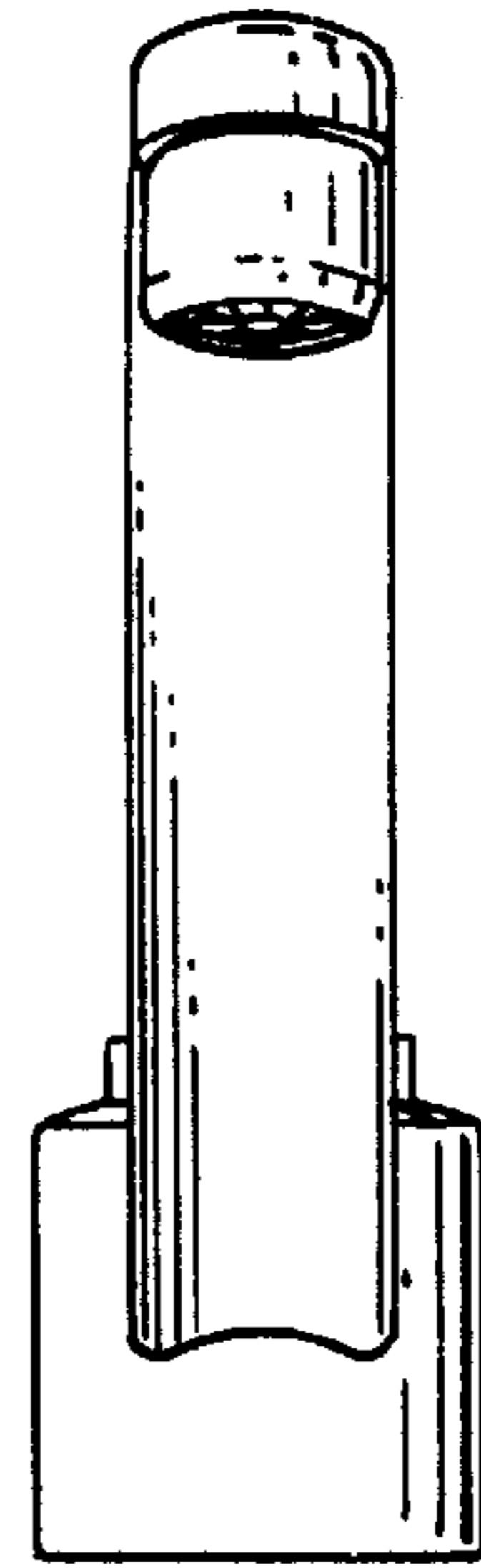


FIG. 3.

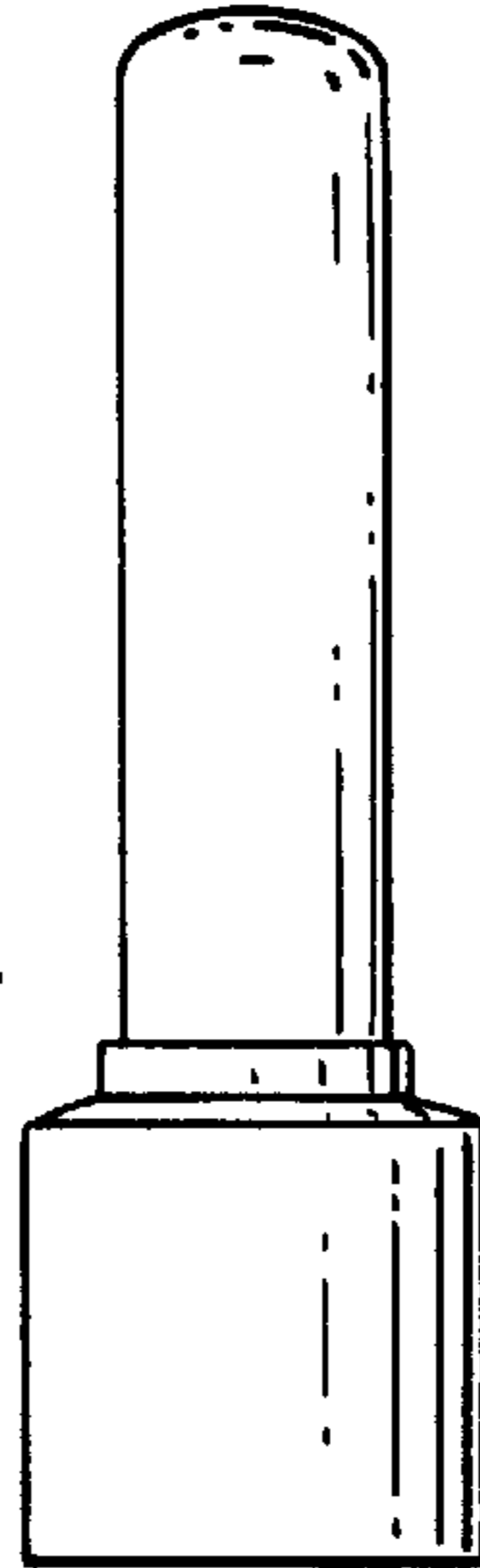


FIG. 4.

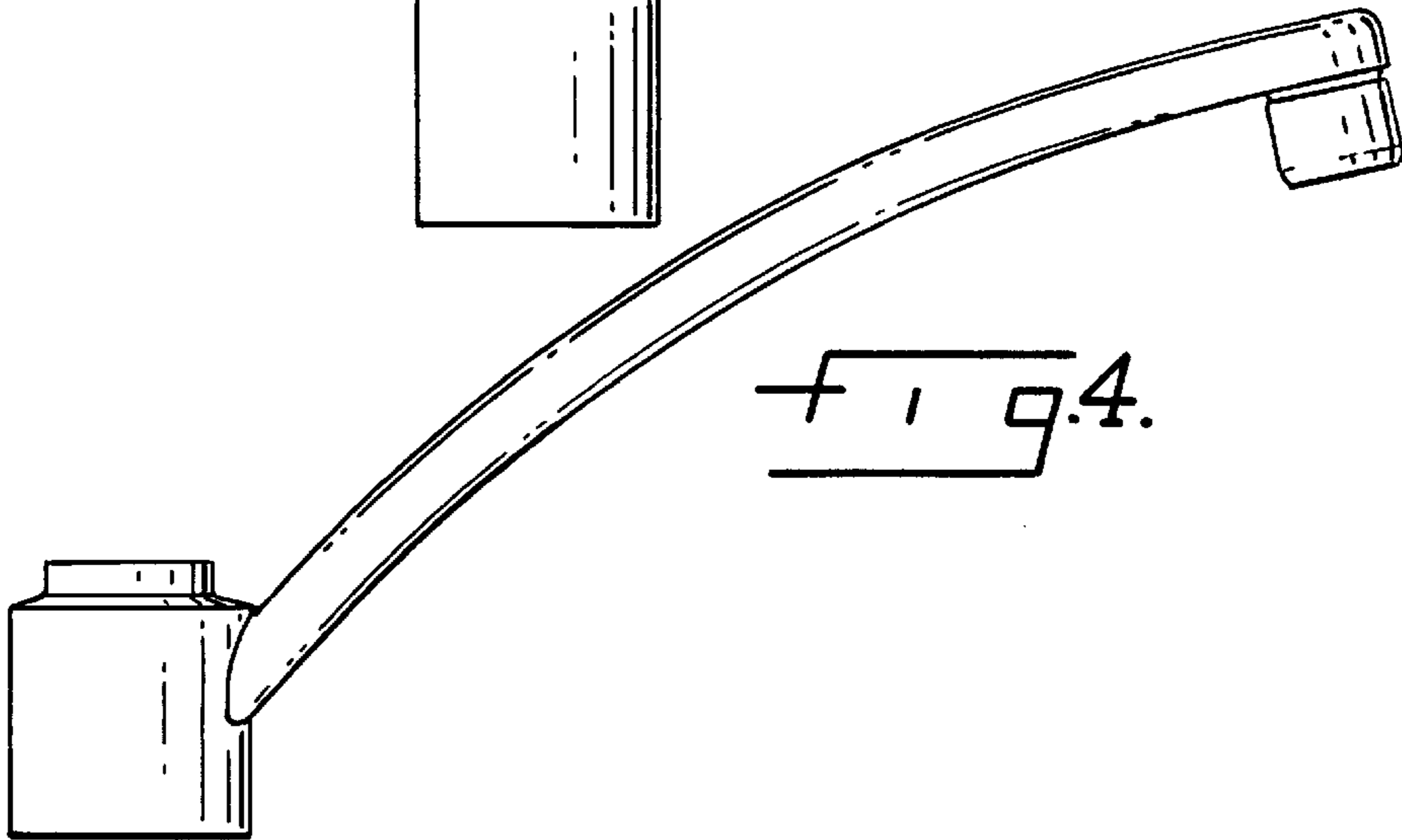


FIG. 5.

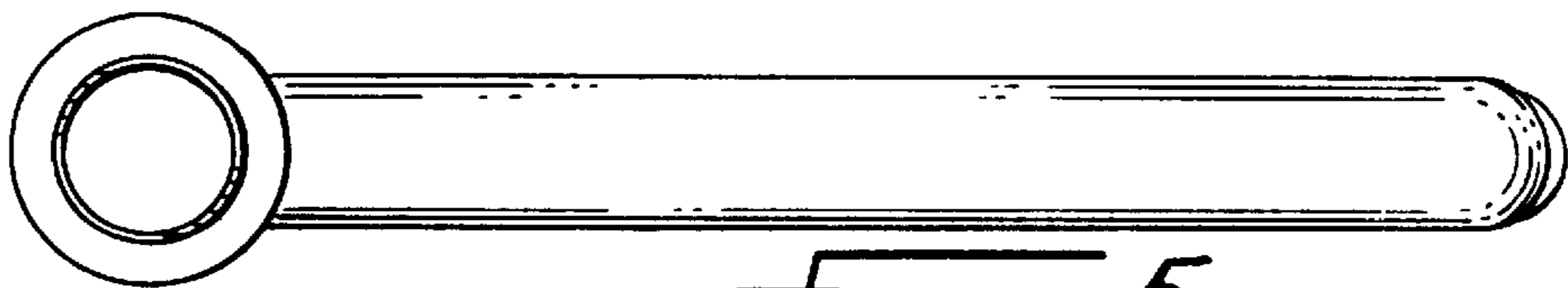


FIG. 6.

