



US00D463848S

(12) **United States Design Patent**  
**Haug et al.**

(10) **Patent No.:** **US D463,848 S**

(45) **Date of Patent:** **\*\* Oct. 1, 2002**

(54) **SANITARY FAUCET**

Catalog by hansgrohe AXOR, *Die Kollektion 2000*, four pages.

(75) Inventors: **Andreas Haug**, Stuttgart (DE);  
**Thomas Schönherr**, Stuttgart (DE);  
**Andreas Dimitriadis**, Leinzell (DE)

\* cited by examiner

(73) Assignee: **Hansgrohe AG**, Schiltach (DE)

*Primary Examiner*—Louis S. Zarfaz

(\*\*) Term: **14 Years**

*Assistant Examiner*—Gregory Andoll

(74) *Attorney, Agent, or Firm*—Duane Morris LLP

(21) Appl. No.: **29/148,475**

(22) Filed: **Sep. 19, 2001**

(30) **Foreign Application Priority Data**

Mar. 21, 2001 (DE) ..... 4 01 02 939

(51) **LOC (7) Cl.** ..... **23-01**

(52) **U.S. Cl.** ..... **D23/241**

(58) **Field of Search** ..... D23/238–257;  
4/675–678; 137/801

(56) **References Cited**

**U.S. PATENT DOCUMENTS**

D324,410 S \* 3/1992 Haug et al. .... D23/241  
D351,218 S \* 10/1994 Sieger ..... D23/241  
D375,345 S \* 11/1996 Warshawsky ..... D23/241

**OTHER PUBLICATIONS**

Brochure by KLUDI, pp. 4, 5, and 45 (Aug., 2000).

Brochure by CRISTINA, two pages, (Jul., 2000).

Brochure by DORNBRACHT, *Dreamworks*, two pages (May, 1998).

(57) **CLAIM**

The ornamental design for a sanitary faucet, as shown and described.

**DESCRIPTION**

FIG. 1: is a side perspective view of the sanitary faucet showing our new design;

FIG. 2: is a front elevation view thereof;

FIG. 3: is a side elevation view thereof;

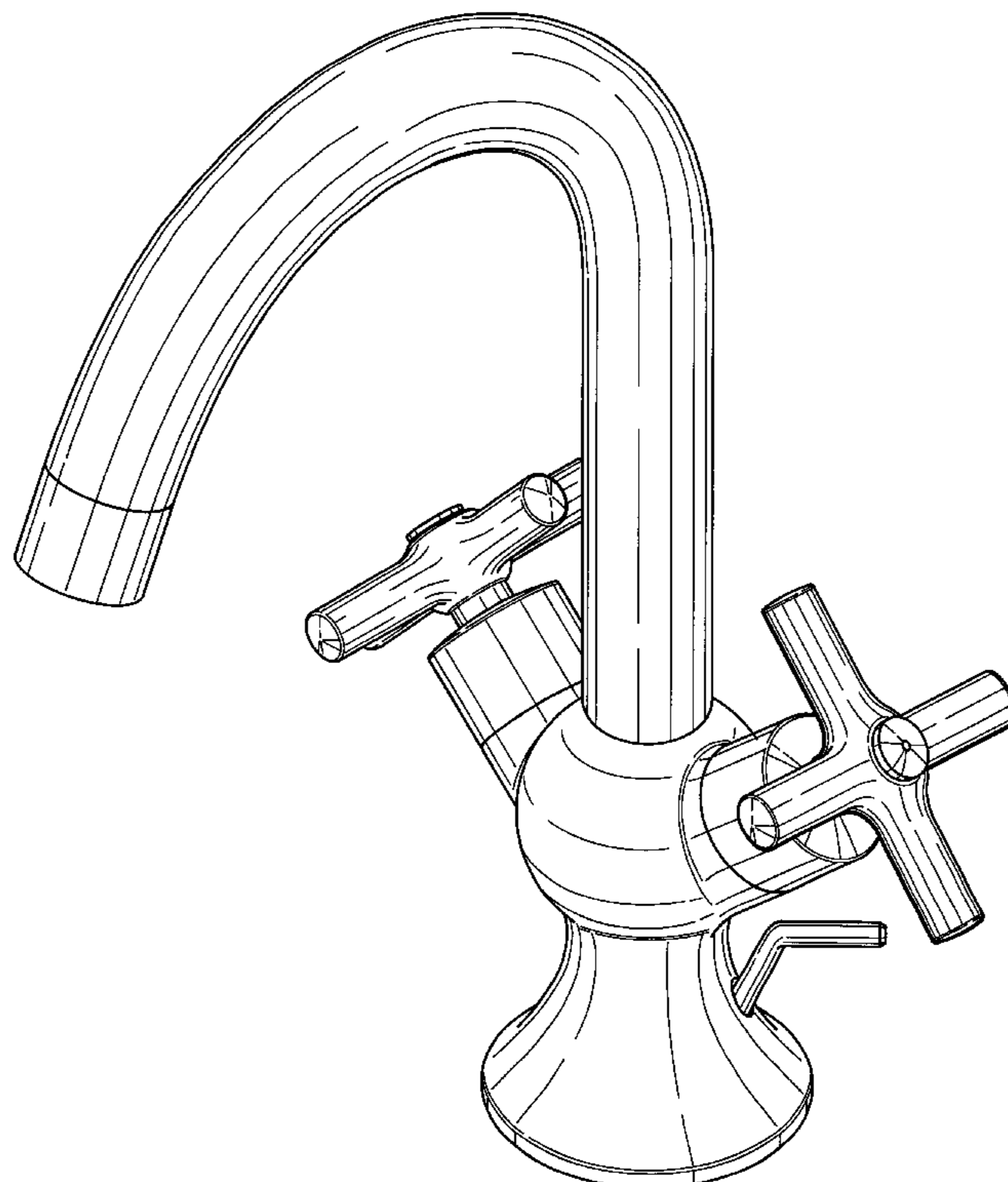
FIG. 4: is a opposite side elevation view thereof;

FIG. 5: is a rear elevation view thereof;

FIG. 6: is a top plan view thereof; and,

FIG. 7: is a bottom plan view thereof.

**1 Claim, 7 Drawing Sheets**



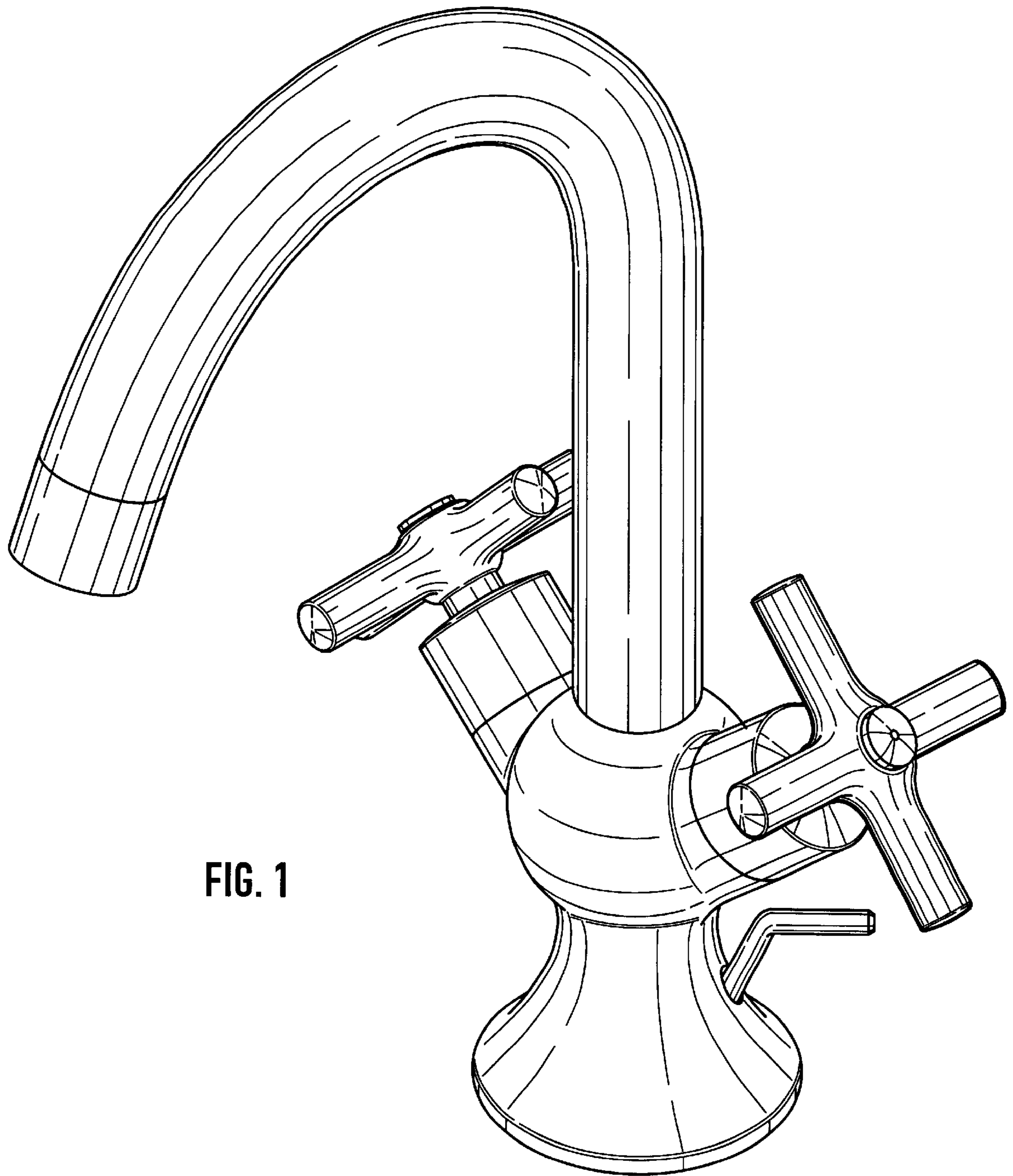


FIG. 1

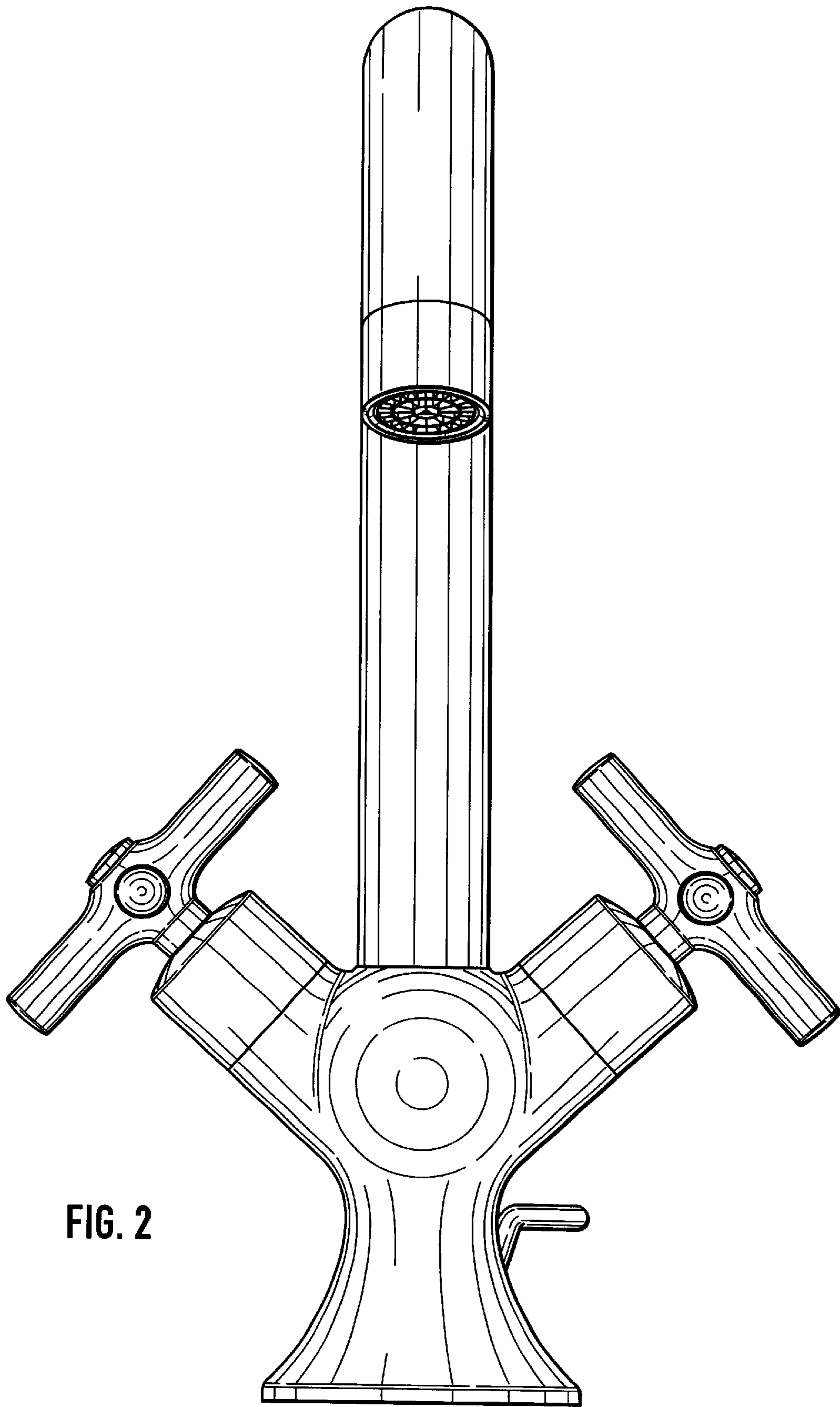


FIG. 2

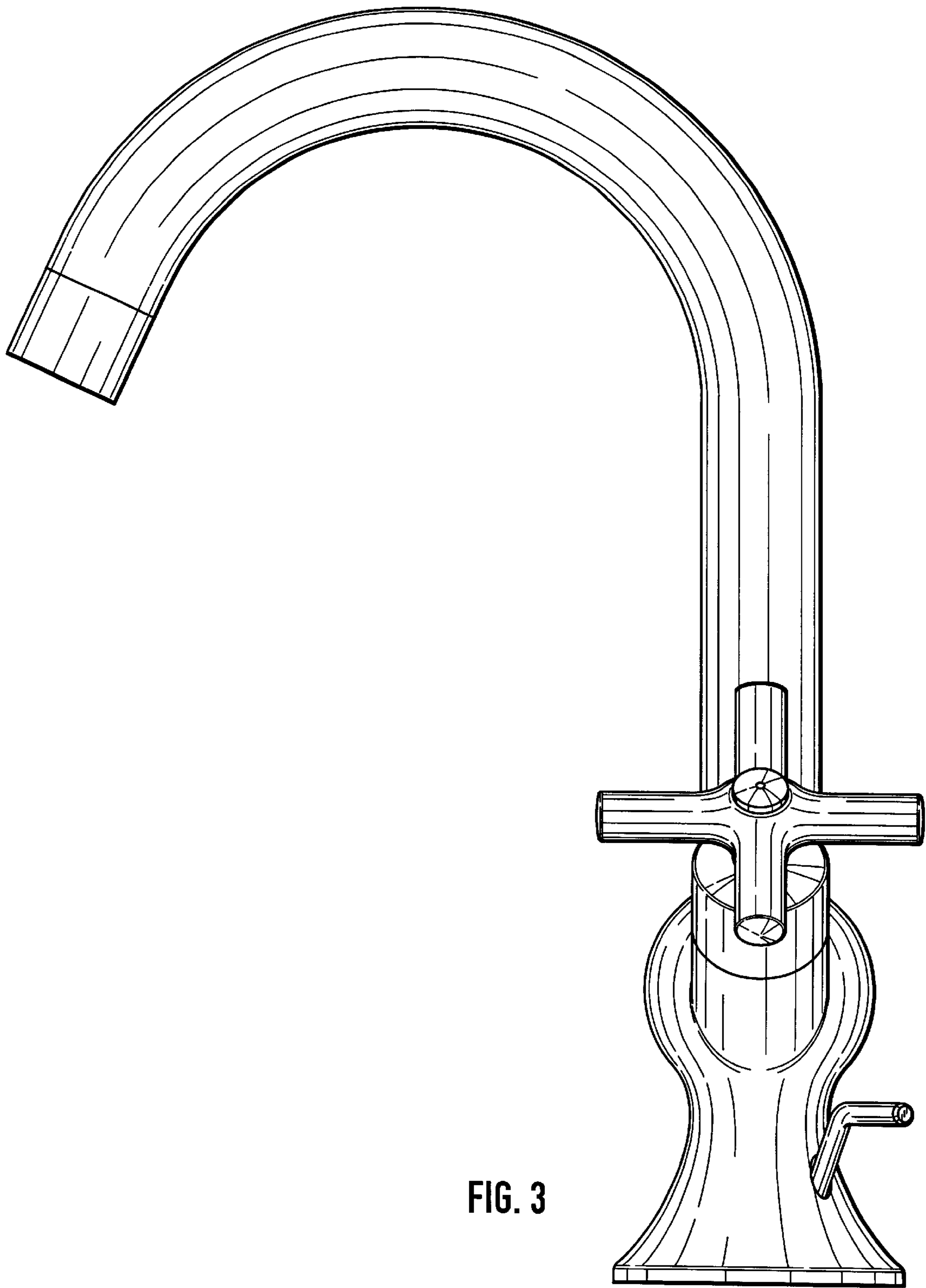


FIG. 3

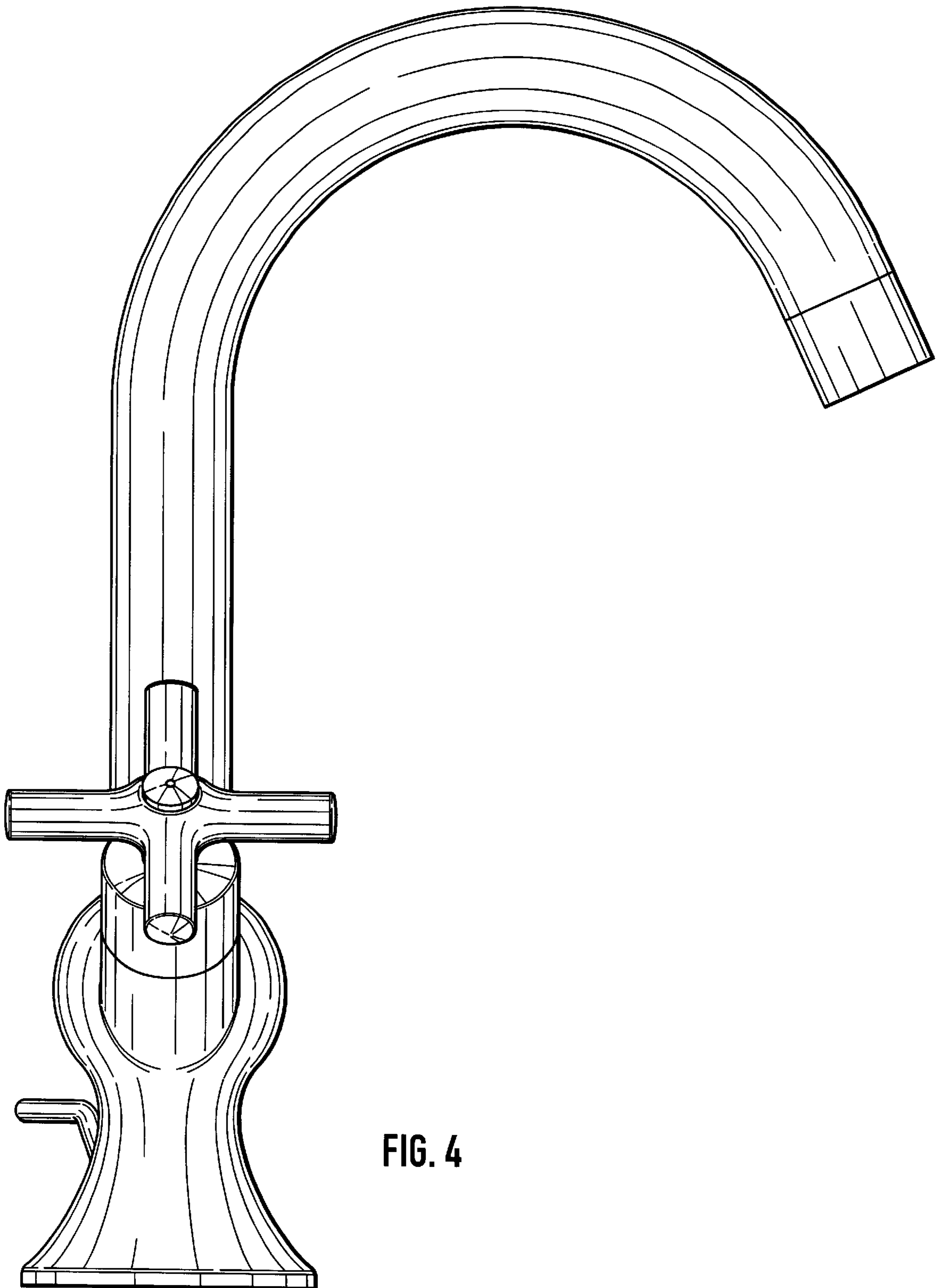


FIG. 4

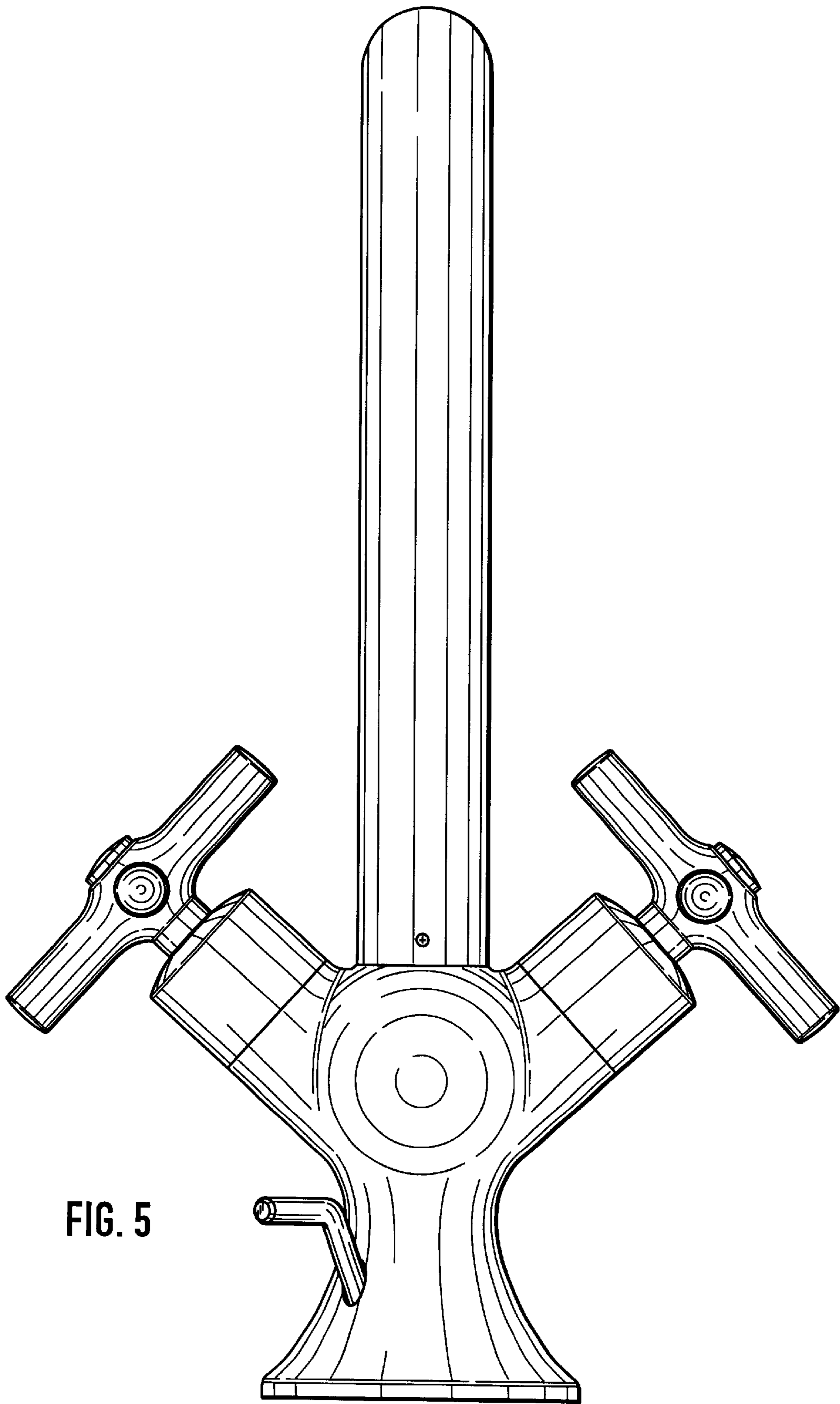


FIG. 5

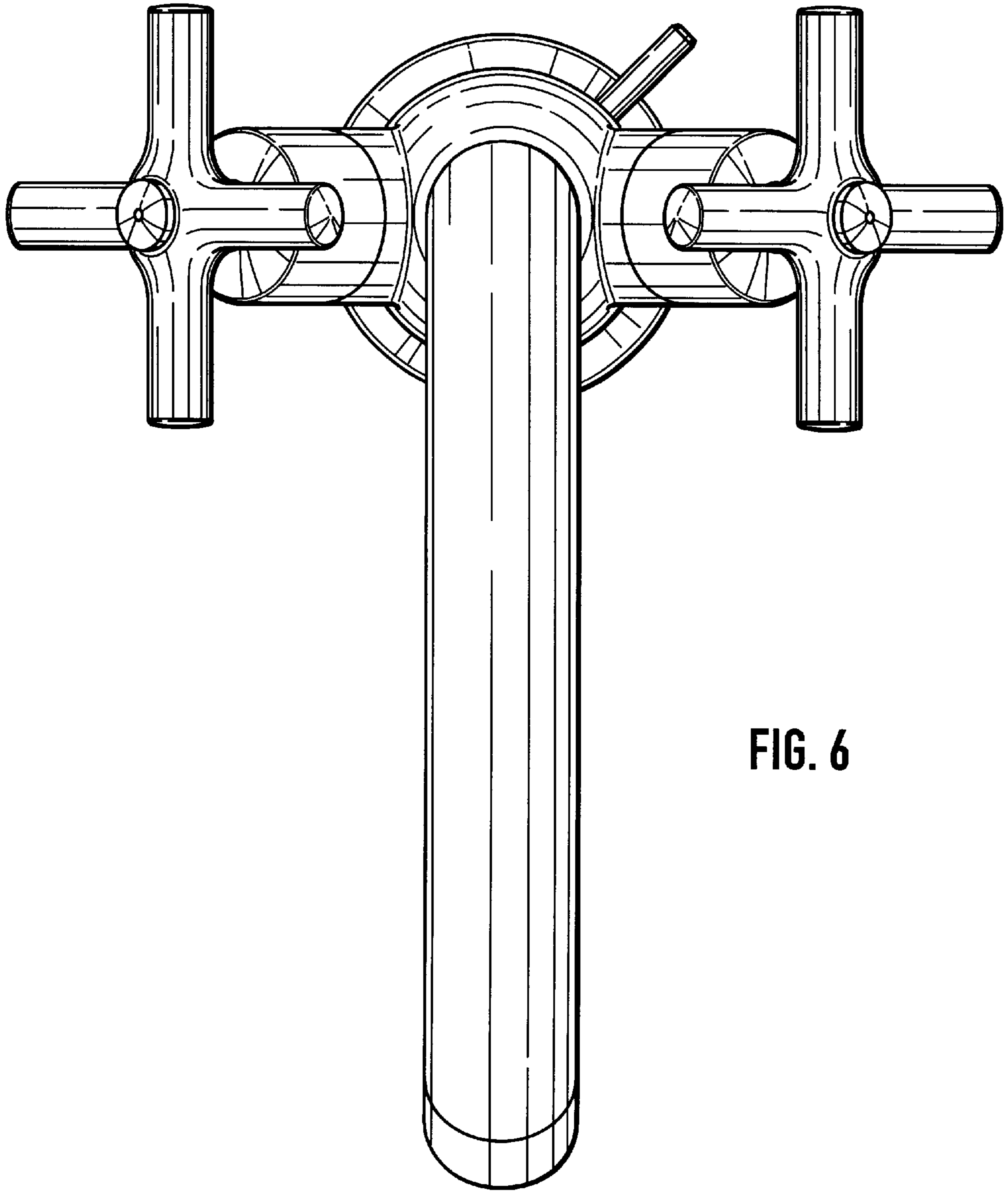


FIG. 6

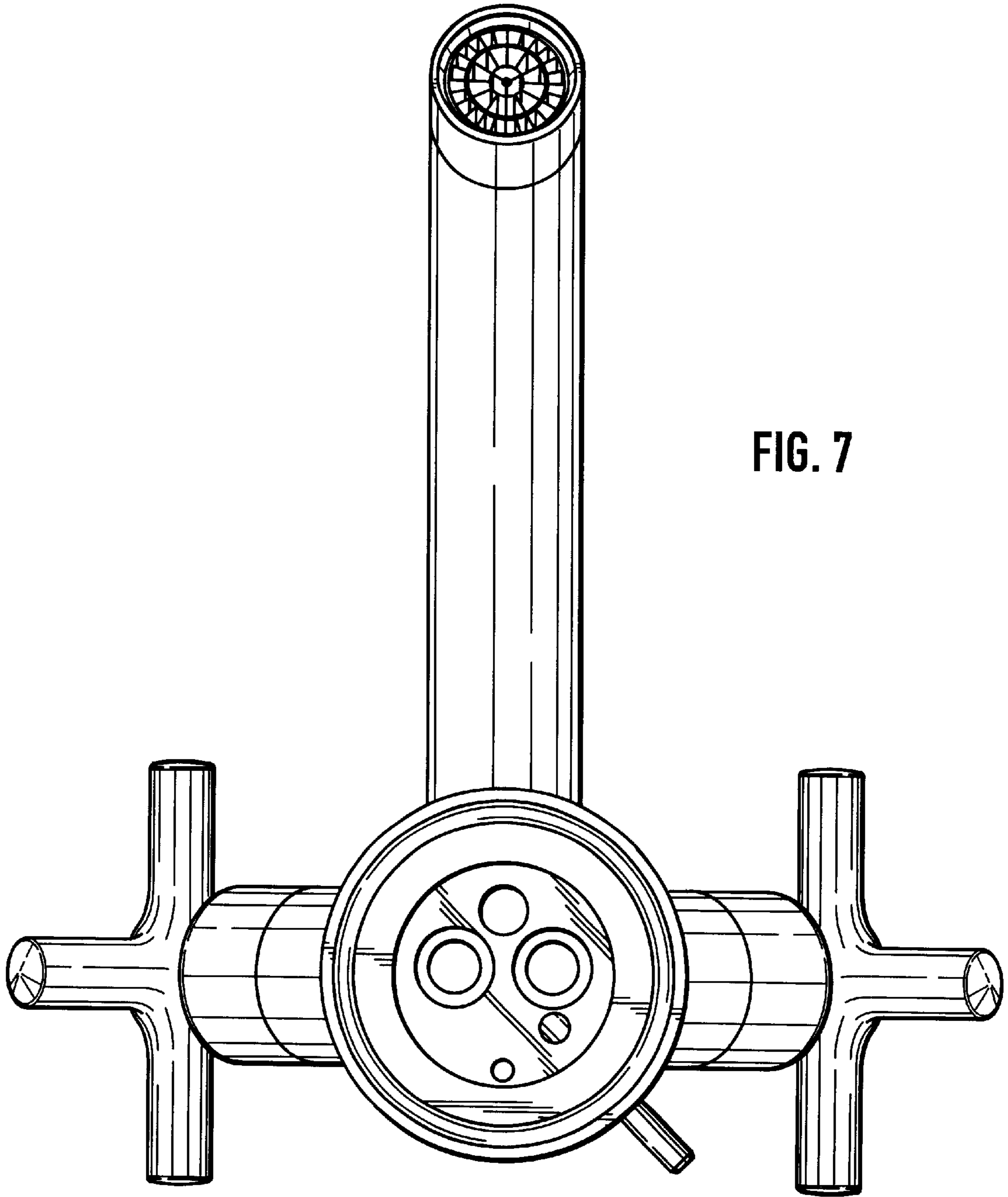


FIG. 7