



US00D463844S

(12) **United States Design Patent**
Farley

(10) **Patent No.:** **US D463,844 S**

(45) **Date of Patent:** **** Oct. 1, 2002**

(54) **SHOWER HEAD**

D443,028 S * 5/2001 Kollmann et al. D23/229

(76) Inventor: **David K. Farley**, 1827 Capital St.,
Corona, CA (US) 92880

* cited by examiner

(**) Term: **14 Years**

Primary Examiner—Robin V. Taylor

(74) *Attorney, Agent, or Firm*—James G. O'Neill

(21) Appl. No.: **29/141,501**

(57) **CLAIM**

(22) Filed: **May 8, 2001**

The ornamental design for a shower head, as shown and described.

(51) **LOC (7) Cl.** **23-01**

DESCRIPTION

(52) **U.S. Cl.** **D23/229**

(58) **Field of Search** D23/213, 223,
D23/226, 229–230; 239/394, 460–462

FIG. 1 is a perspective view of a shower head, showing my new design;

FIG. 2 is a front elevational view of FIG. 1;

FIG. 3 is a rear elevational view of FIG. 1;

FIG. 4 is a top plan view of FIG. 1;

FIG. 5 is a bottom plan view of FIG. 1; and,

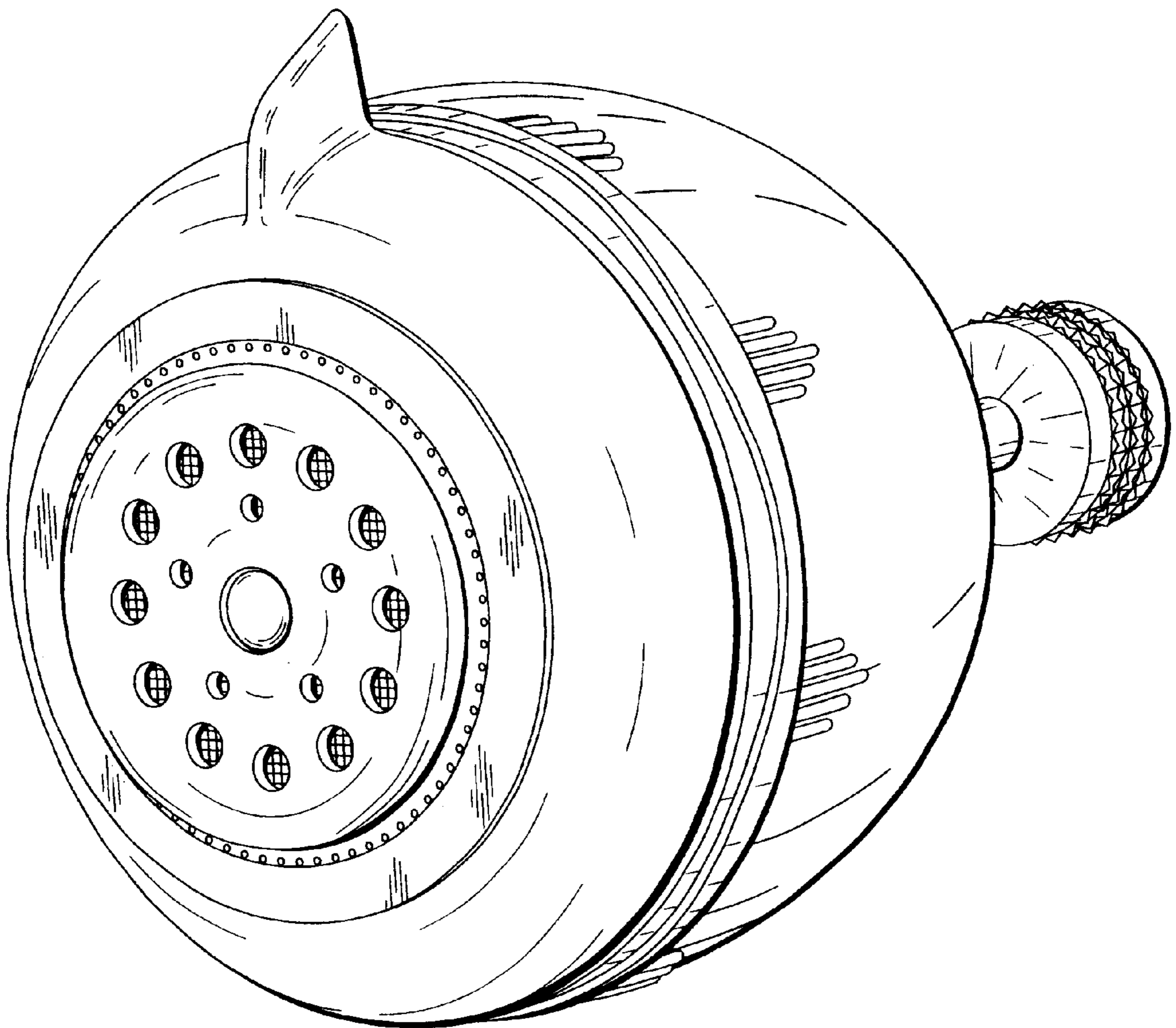
FIG. 6 is a first side elevational view of FIG. 1, the other side being a mirror image thereof.

(56) **References Cited**

U.S. PATENT DOCUMENTS

D323,545 S	*	1/1992	Ward	D23/213
D375,541 S	*	11/1996	Michaluk	D23/213
6,076,747 A	*	6/2000	Ming-yuan	239/460
D431,859 S	*	10/2000	Tse	D23/229
D433,100 S	*	10/2000	Chan	D23/229

1 Claim, 4 Drawing Sheets



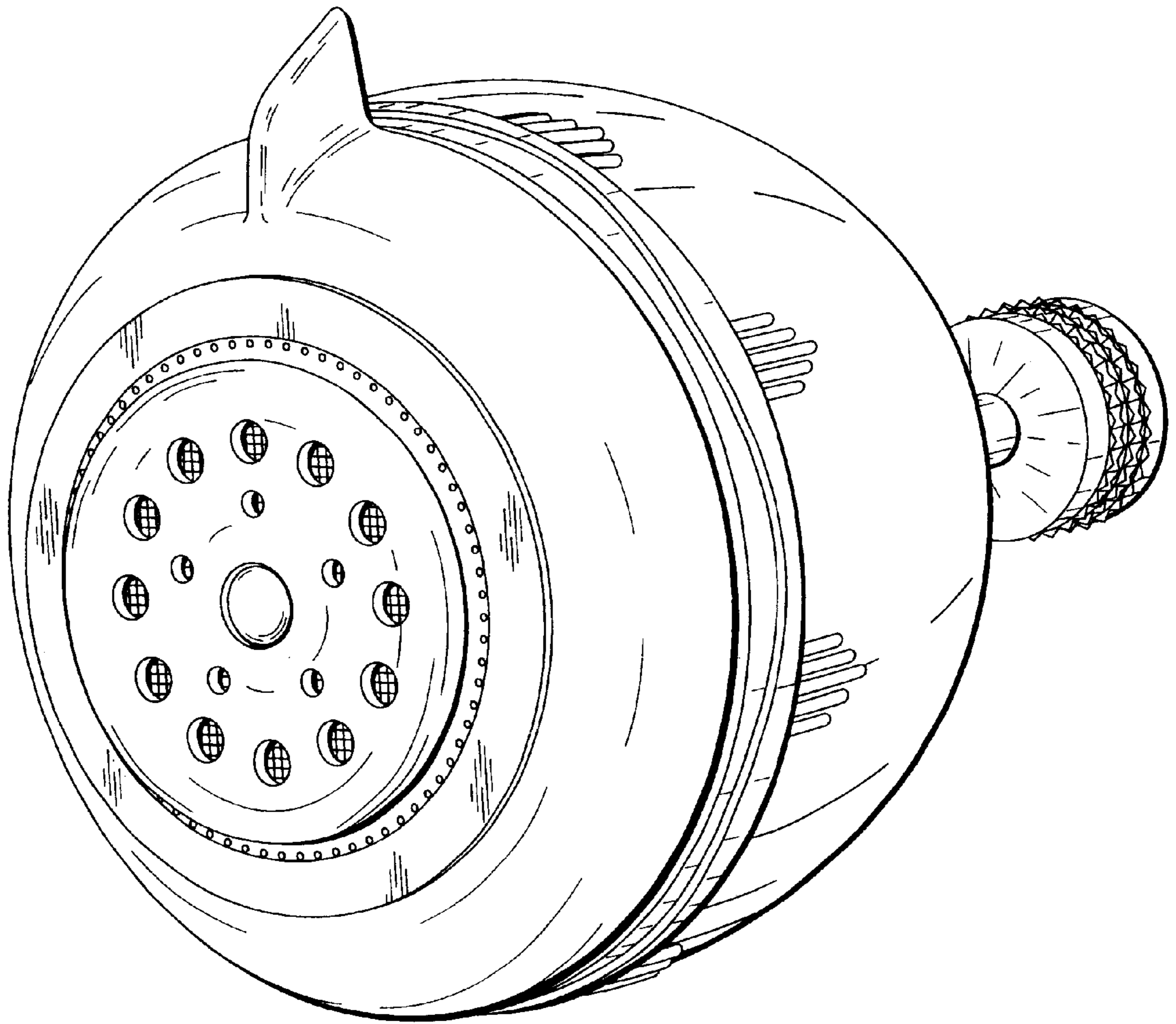


Fig. 1

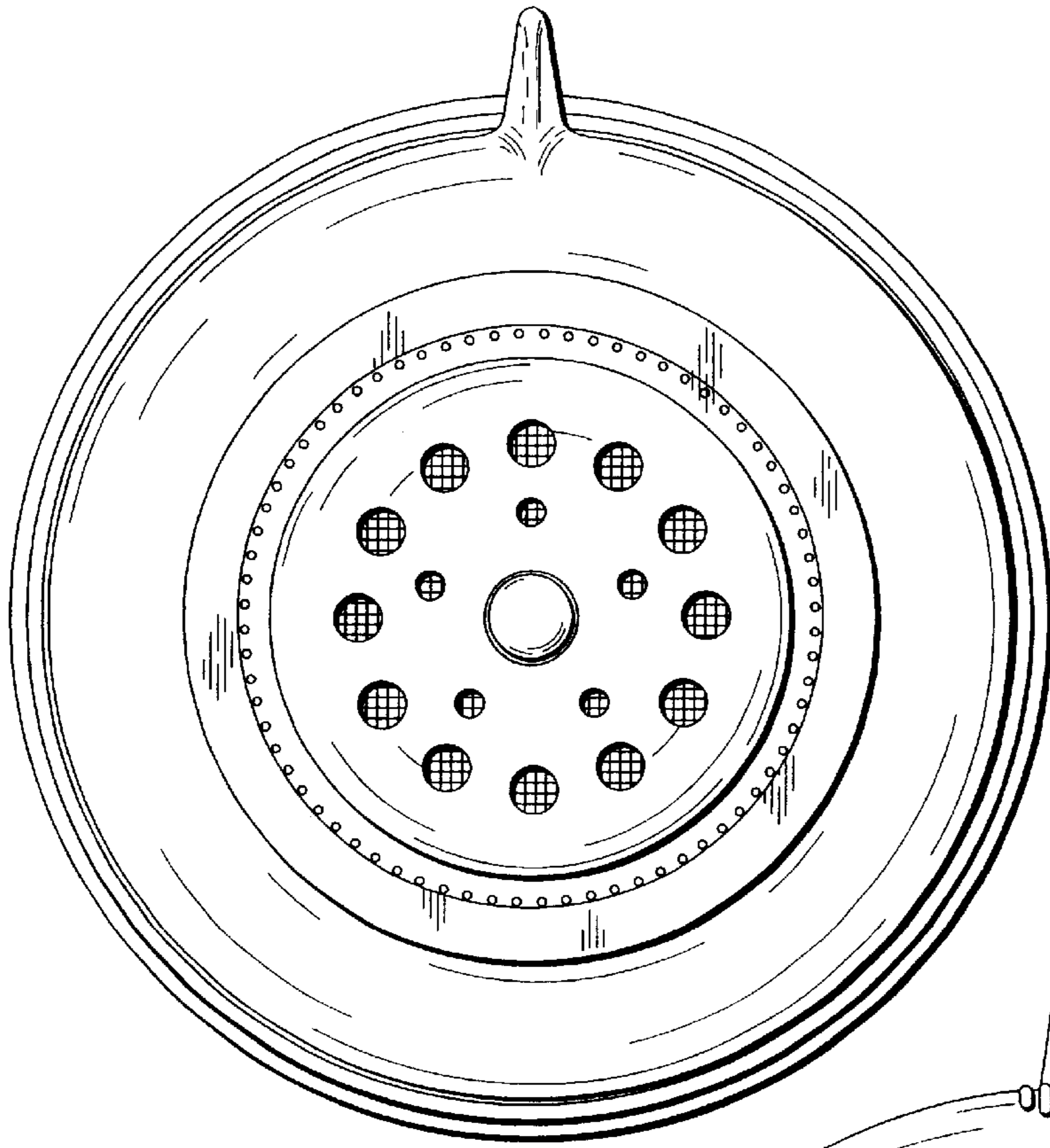


Fig. 2

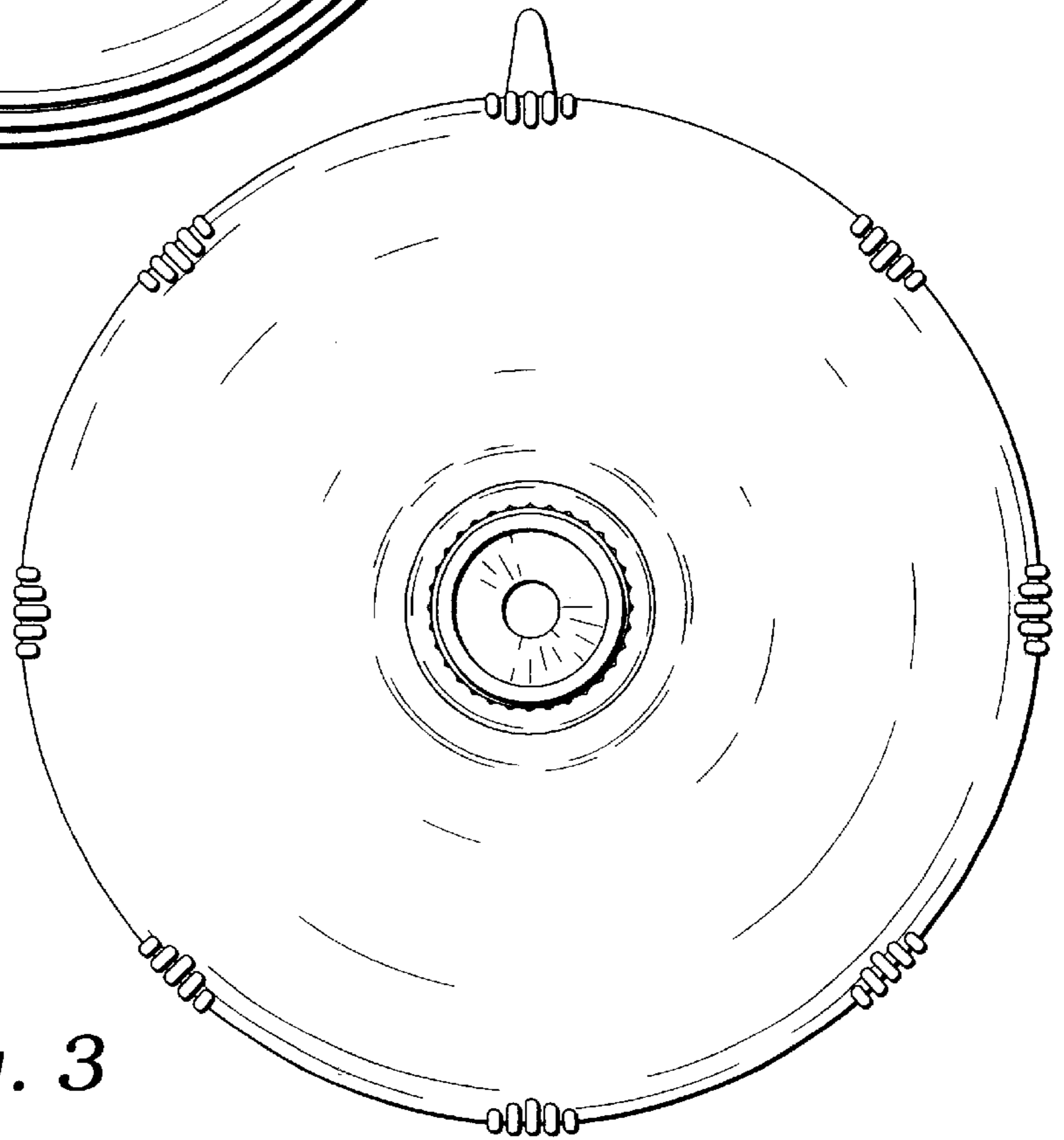


Fig. 3

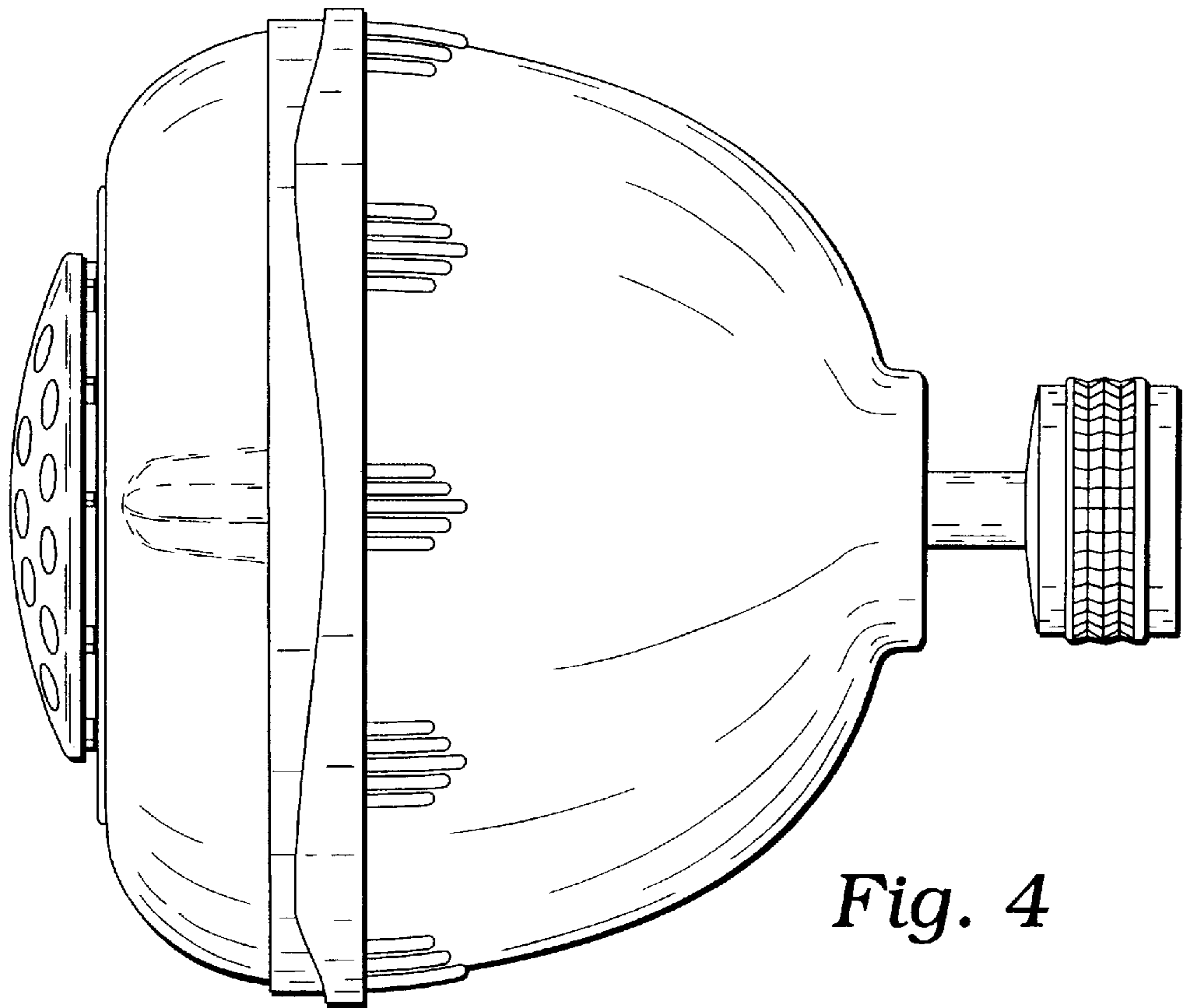


Fig. 4

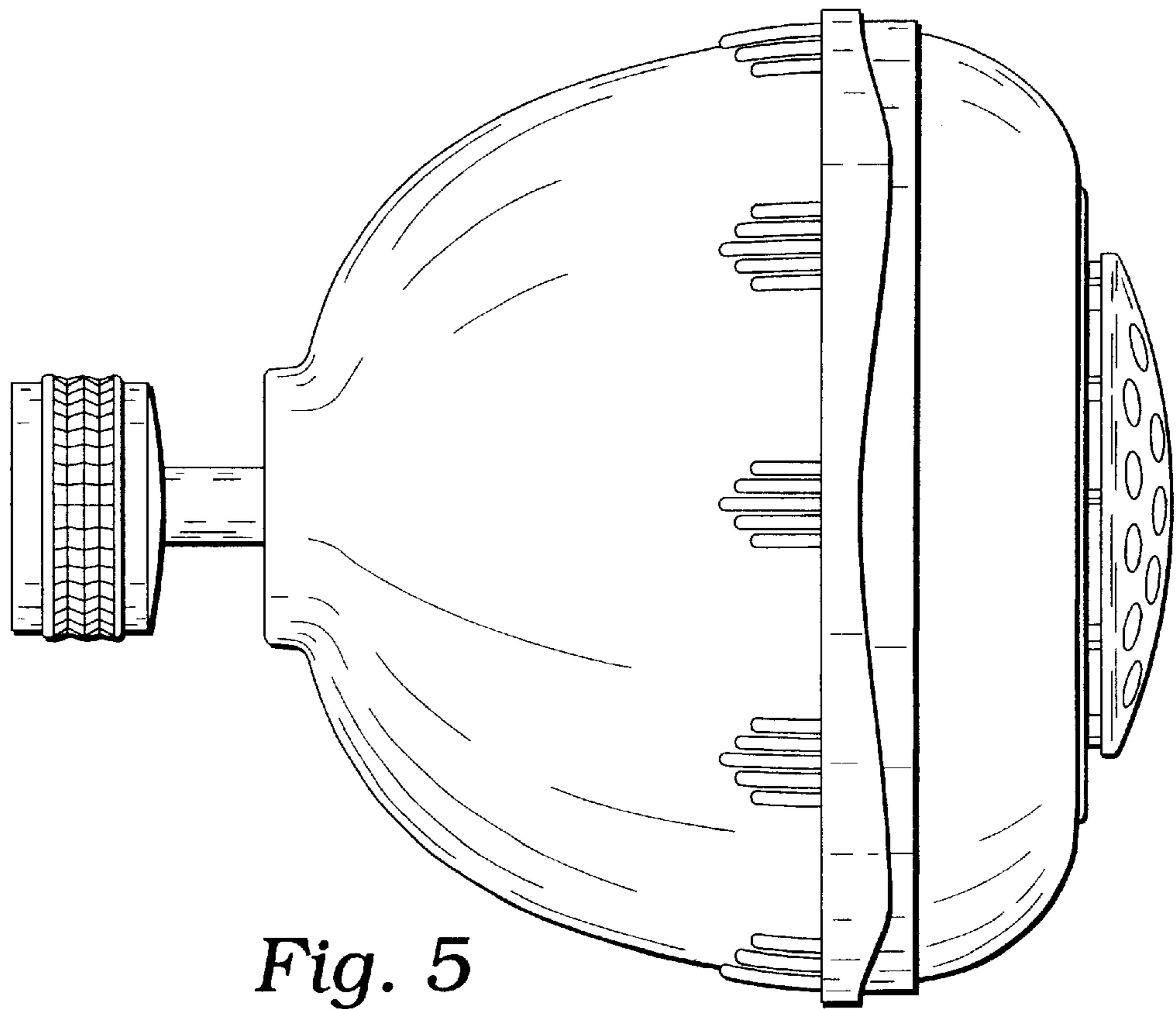


Fig. 5

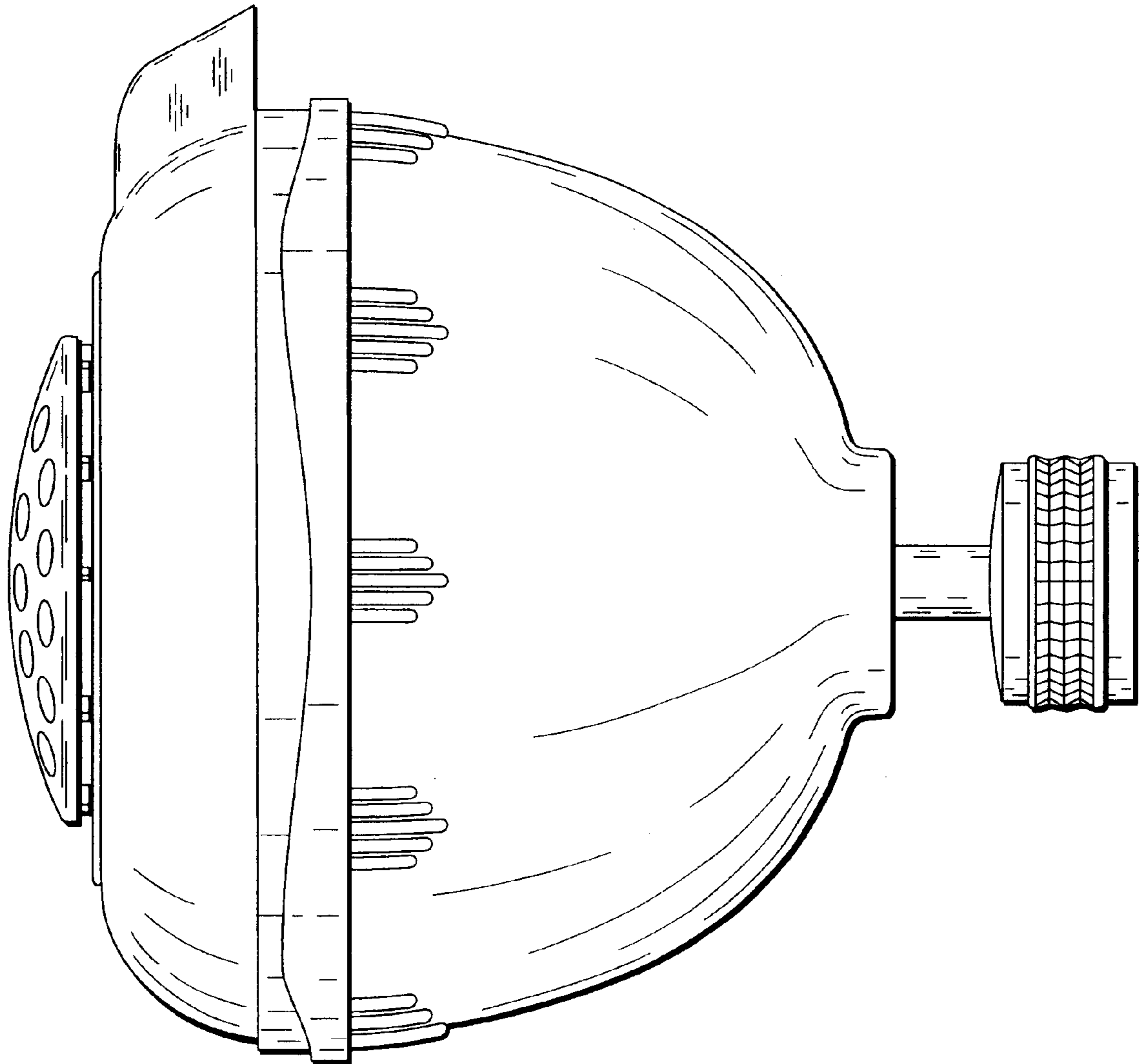


Fig. 6