



US00D463839S

(12) **United States Design Patent**  
**Fireman et al.**

(10) **Patent No.:** **US D463,839 S**

(45) **Date of Patent:** **\*\* Oct. 1, 2002**

(54) **SNOW BOARD**

(75) Inventors: **Andrew F. Fireman**, North Bethesda,  
MD (US); **Thomas B. Eckert**,  
Germantown, MD (US)

(73) Assignee: **Riva Sports, Inc.**, Rockville, MD (US)

(\*\*) Term: **14 Years**

(21) Appl. No.: **29/138,690**

(22) Filed: **Mar. 17, 2001**

(51) **LOC (7) Cl.** ..... **21-02**

(52) **U.S. Cl.** ..... **D21/760**

(58) **Field of Search** ..... D21/760, 765,  
D21/766, 768, 420, 421, 423; D12/8; 280/14.21,  
14.22, 14.23, 14.24, 14.25, 14.26, 602,  
607-610

(56) **References Cited**

**U.S. PATENT DOCUMENTS**

3,378,274 A \* 4/1968 Poppen ..... 280/14.21  
D308,711 S \* 6/1990 Katz ..... D21/760

5,538,272 A \* 7/1996 Peart ..... 280/602  
5,573,264 A \* 11/1996 Deville et al. .... 280/602  
D401,287 S \* 11/1998 Ritzinger ..... D21/760  
D406,626 S \* 3/1999 Hauser et al. .... D21/760  
6,189,912 B1 \* 2/2001 Ritzinger ..... 280/14.21  
D442,247 S \* 5/2001 Koester et al. .... D21/760

\* cited by examiner

*Primary Examiner*—Lucy Lieberman

(74) *Attorney, Agent, or Firm*—Steven N. Fox, Esq.

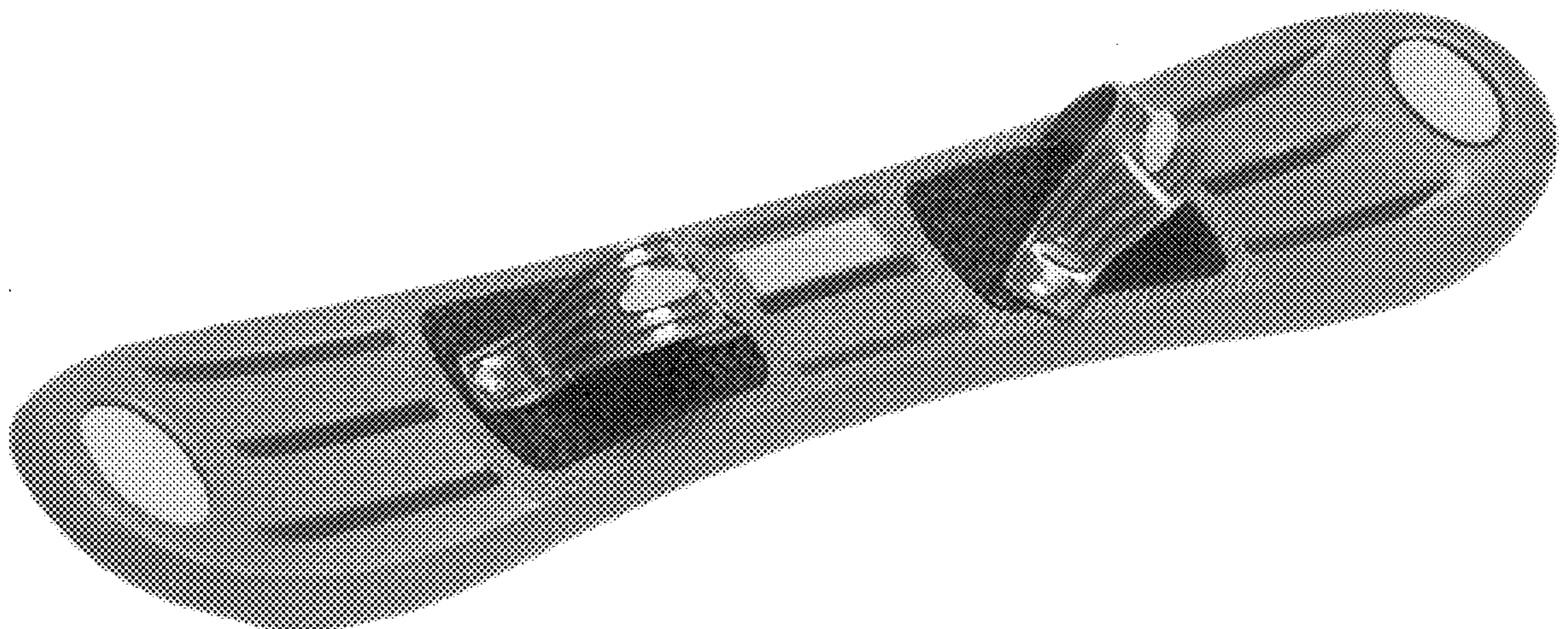
(57) **CLAIM**

The ornamental design for a “snow board”, as shown and described.

**DESCRIPTION**

FIG. 1 is a perspective view of the present invention;  
FIG. 2 is a perspective view of the present invention;  
FIG. 3 is a top plan view of the present invention;  
FIG. 4 is a bottom plan view of the present invention;  
FIG. 5 is a front elevation view of the present invention;  
FIG. 6 is a rear elevation view of the present invention; and,  
FIG. 7 is a side elevation view of the present invention.

**1 Claim, 2 Drawing Sheets**



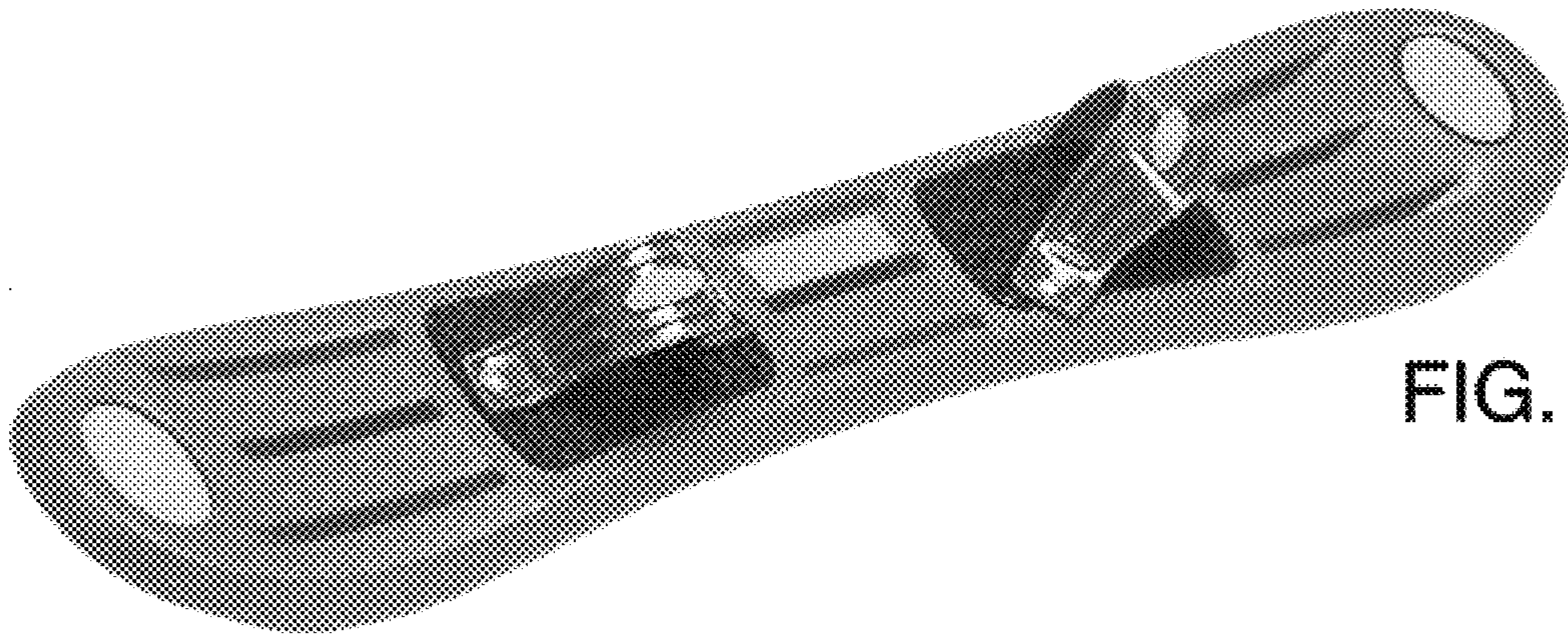


FIG. 1

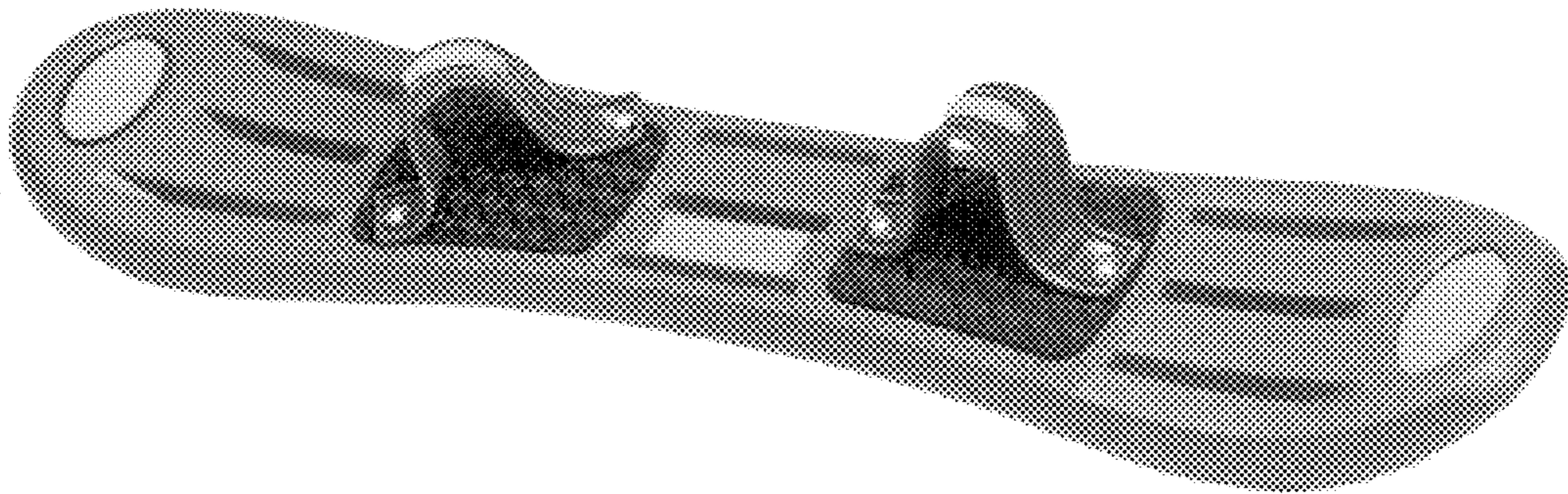


FIG. 2

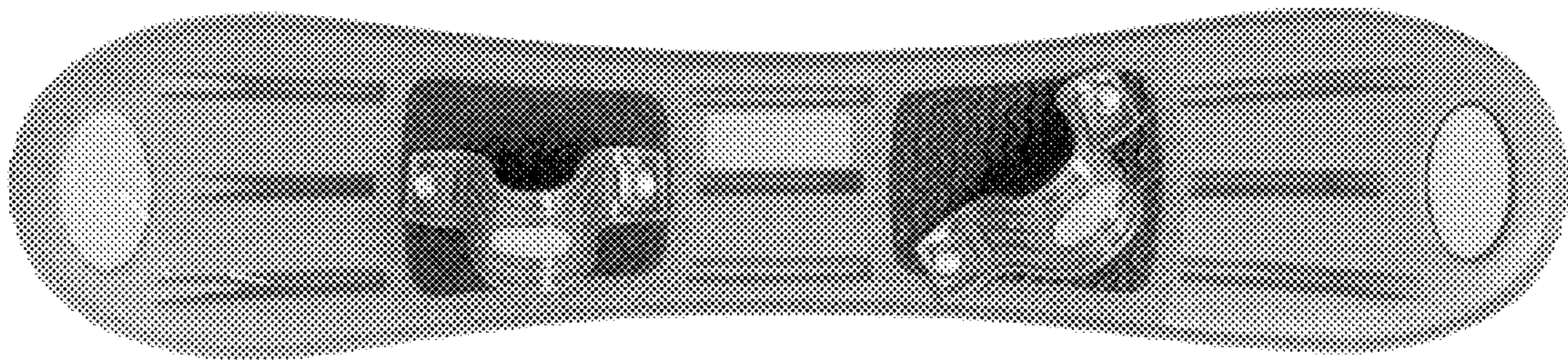


FIG. 3

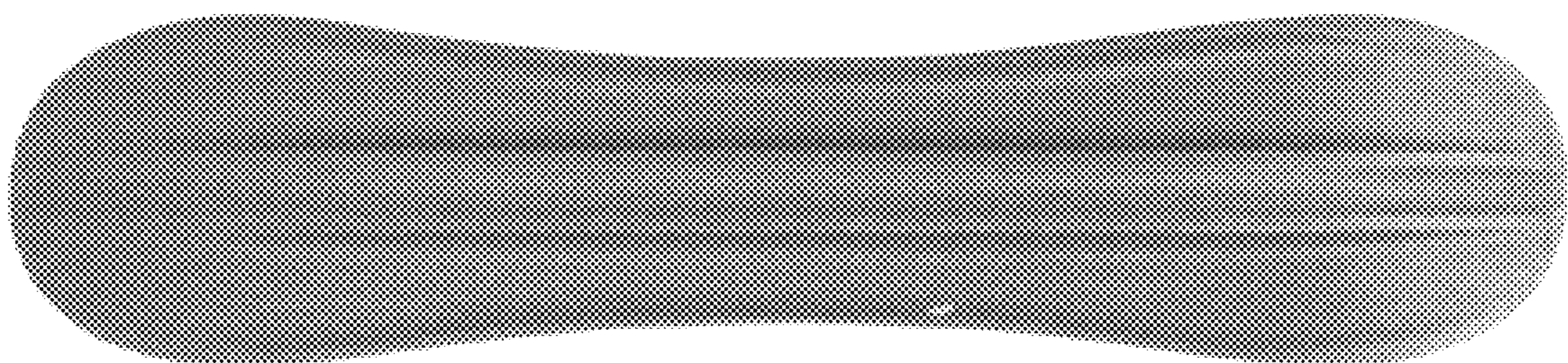


FIG. 4



FIG. 5

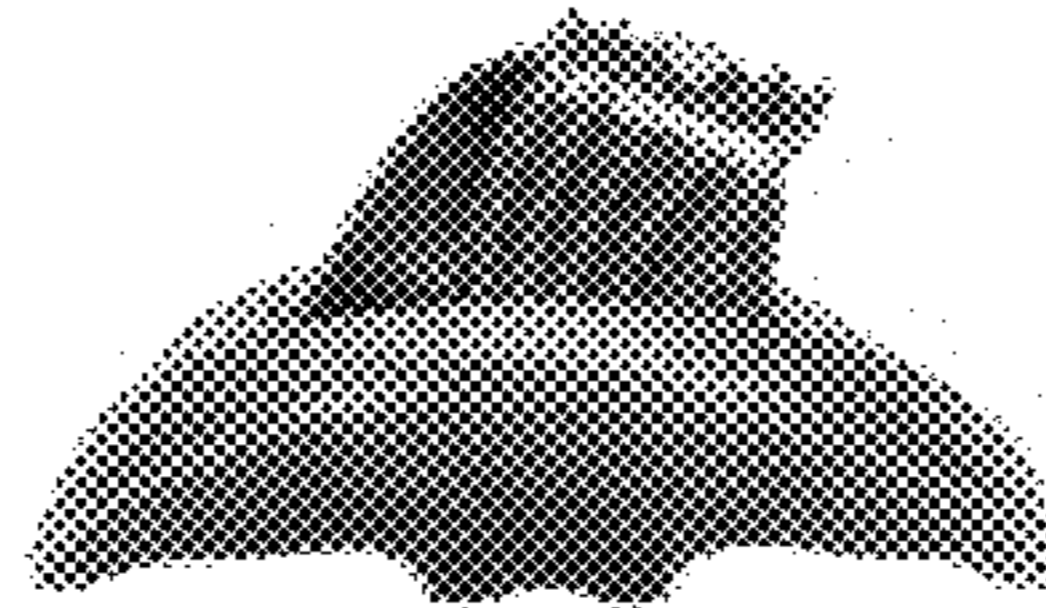


FIG. 6



FIG. 7