



US00D463837S

(12) **United States Design Patent**  
**Tuller et al.**

(10) **Patent No.:** **US D463,837 S**

(45) **Date of Patent:** **\*\* Oct. 1, 2002**

(54) **ABDOMINAL EXERCISE MACHINE**

(75) Inventors: **Jeffrey Todd Tuller**, Indian Wells, CA (US); **Neal Patrick Barnes**, Brooklyn Park, MN (US); **Ross Austin Mackert**, St. Louis Park, MN (US)

(73) Assignee: **Guthy-Renker Corp.**, Santa Monica, CA (US)

(\*\*) Term: **14 Years**

(21) Appl. No.: **29/150,780**

(22) Filed: **Nov. 27, 2001**

(51) **LOC (7) Cl.** ..... **21-02**

(52) **U.S. Cl.** ..... **D21/687; D21/662**

(58) **Field of Search** ..... **D21/662, 687, D21/686; 482/140, 121, 125, 126, 91**

(56) **References Cited**

**U.S. PATENT DOCUMENTS**

D242,936 S	1/1977	Docic	
4,603,858 A	8/1986	Reehil	272/137
D292,427 S	10/1987	Baburek	D21/692
4,861,022 A	8/1989	Boatcallie	
5,071,119 A	12/1991	Johnson	
5,176,622 A	1/1993	Anderson et al.	602/19
5,224,914 A	7/1993	Friedman	482/127
5,372,566 A *	12/1994	Olschansky et al.	482/140
5,413,548 A	5/1995	Hoffman	482/127
5,492,520 A	2/1996	Brown	482/140
5,626,549 A *	5/1997	Olschansky et al.	482/140
5,669,862 A	9/1997	Sayman	482/127

5,672,144 A *	9/1997	Hulme	482/140
5,674,163 A *	10/1997	Sennett	482/125
D392,004 S	3/1998	Van Der Hoeven et al.	D21/191
5,759,138 A	6/1998	Boland	482/122
5,816,985 A *	10/1998	Ho	482/125
5,851,167 A	12/1998	Li	482/122
5,853,357 A	12/1998	Jones, Jr.	482/140
5,891,005 A	4/1999	Drukarov	482/140
5,964,685 A	10/1999	Boland	482/122
D420,070 S	2/2000	Zarillo et al.	D21/687
6,053,851 A	4/2000	Tu	482/122
6,056,676 A	5/2000	Adams	482/112
6,080,090 A	6/2000	Taylor et al.	482/121

\* cited by examiner

*Primary Examiner*—Philip S. Hyder

(74) *Attorney, Agent, or Firm*—Cislo & Thomas LLP

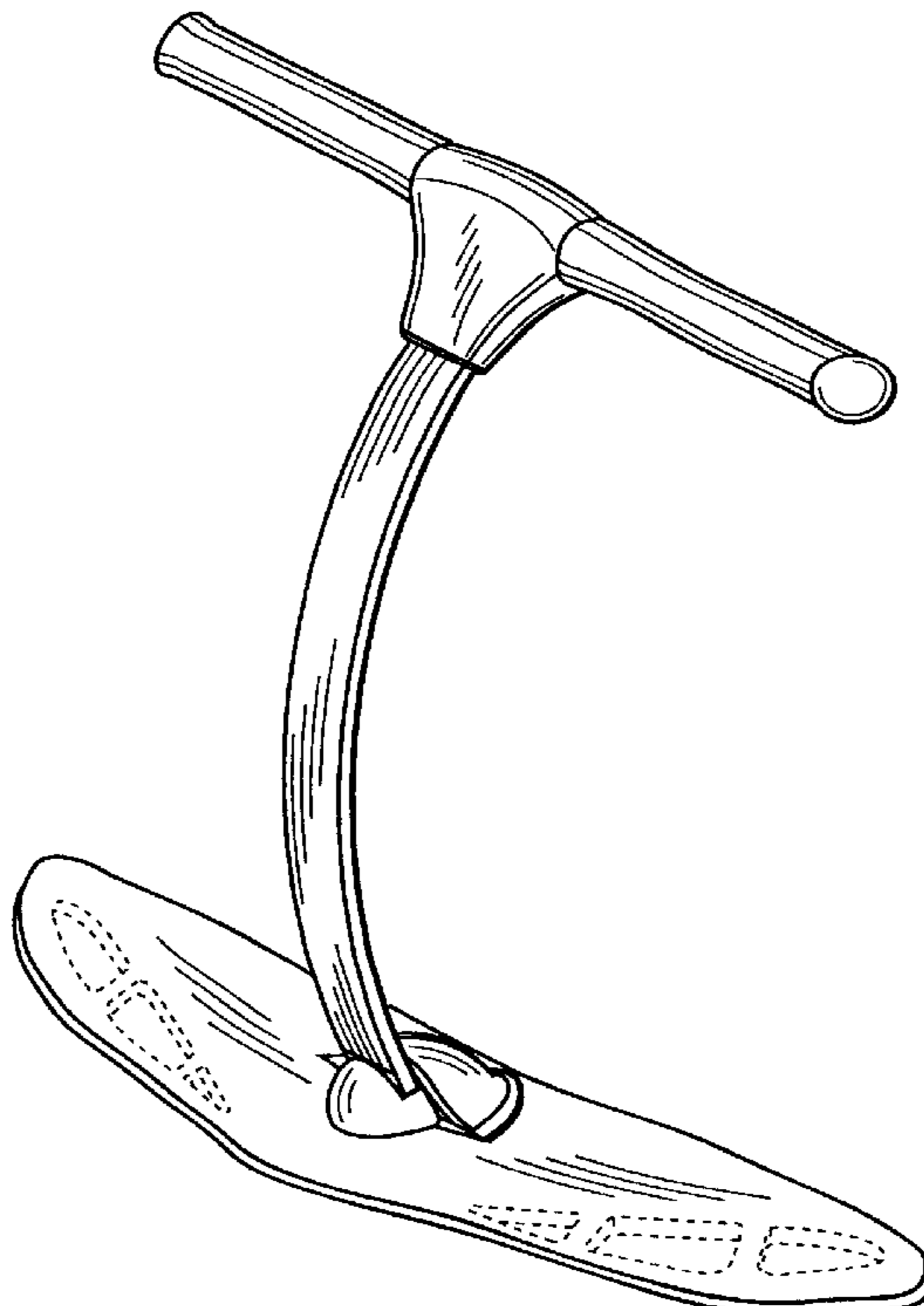
(57) **CLAIM**

The ornamental design for an abdominal exercise machine, as shown and described herein.

**DESCRIPTION**

FIG. 1. is a perspective view of our abdominal exercise machine;  
FIG. 2. is a front view thereof;  
FIG. 3. is a back view thereof;  
FIG. 4. is a left side view thereof;  
FIG. 5. is a right side view thereof;  
FIG. 6. is a top view thereof; and,  
FIG. 7. is a bottom view thereof.

**1 Claim, 3 Drawing Sheets**



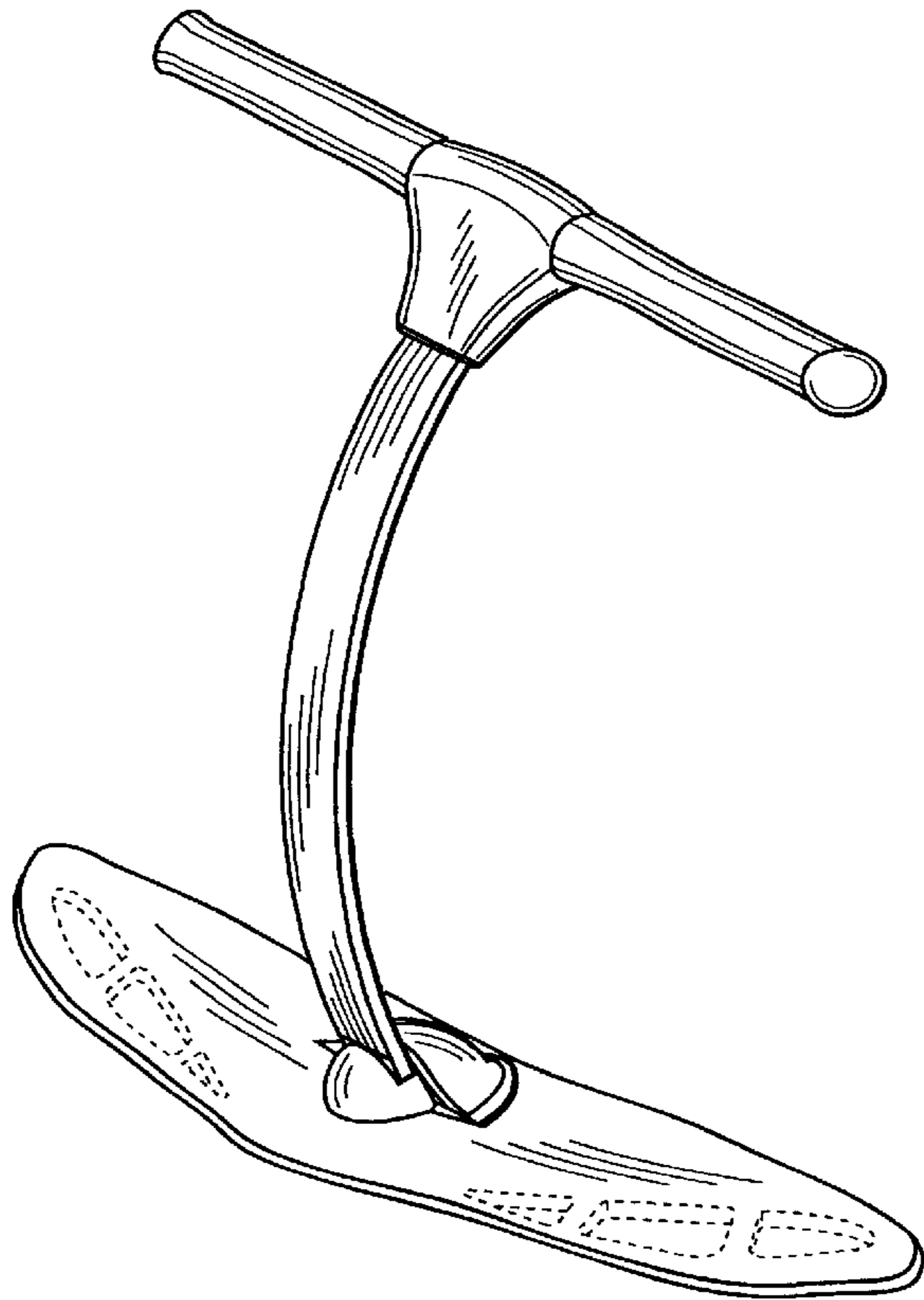


FIG. 1

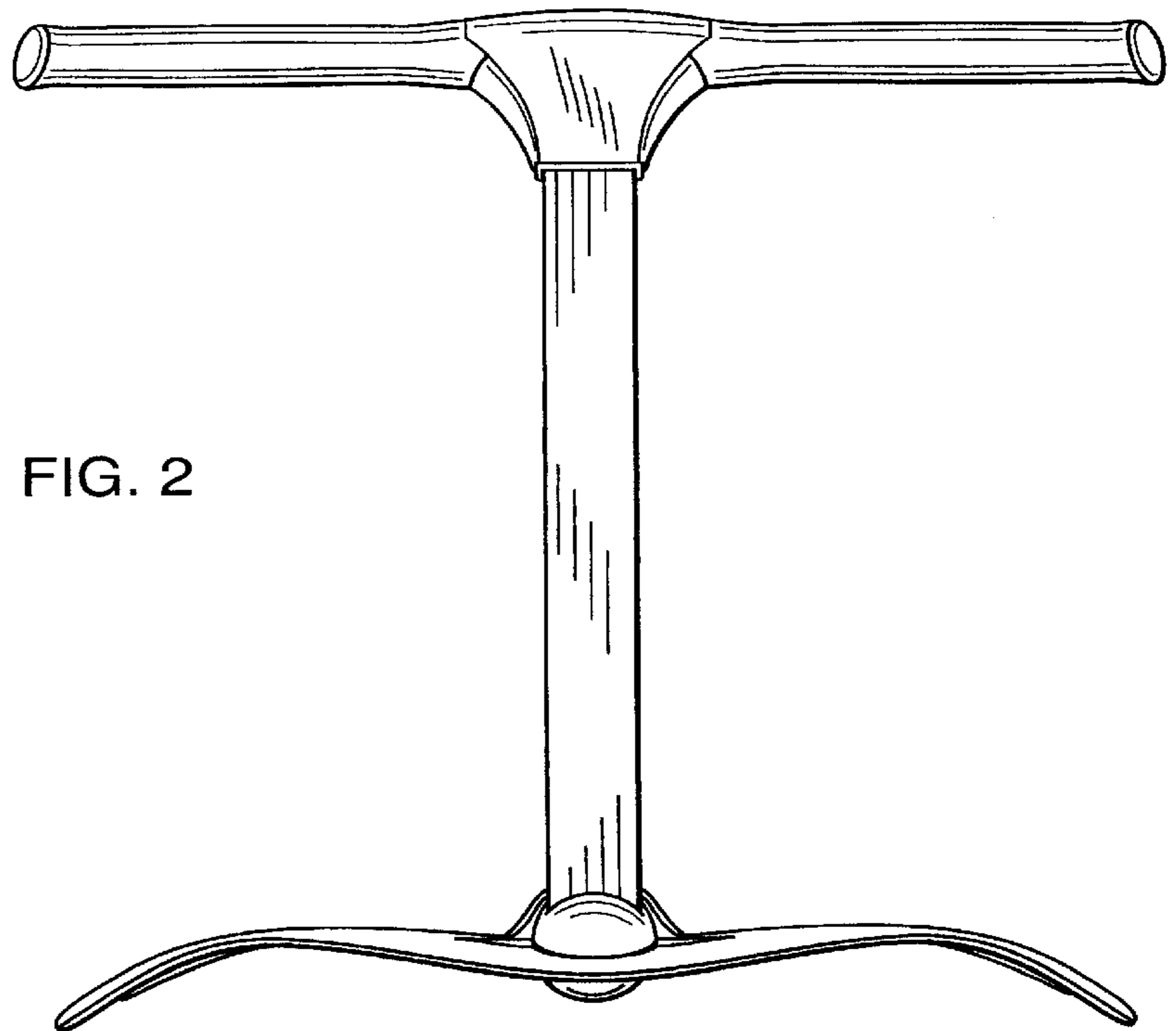


FIG. 2

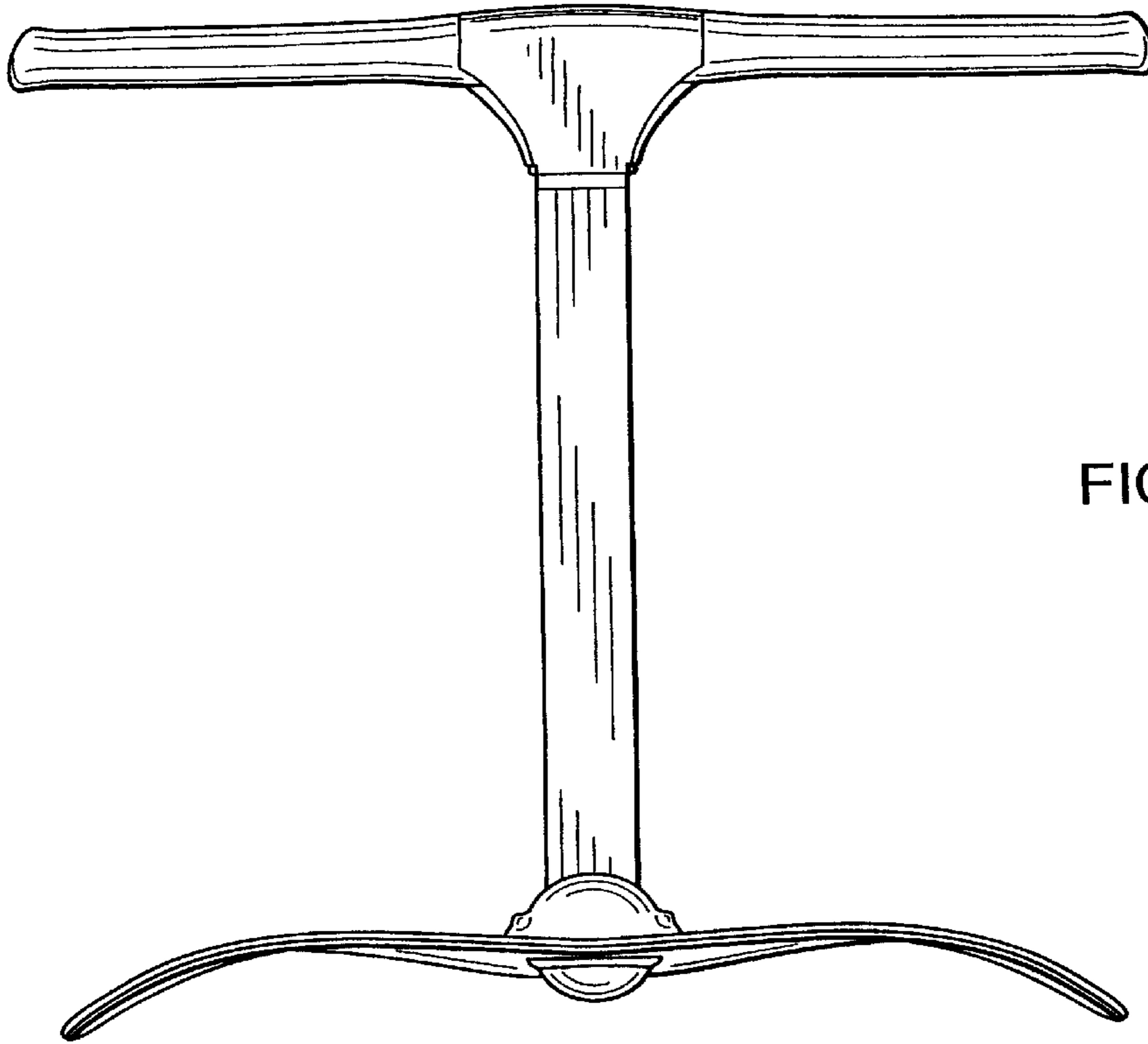


FIG. 3

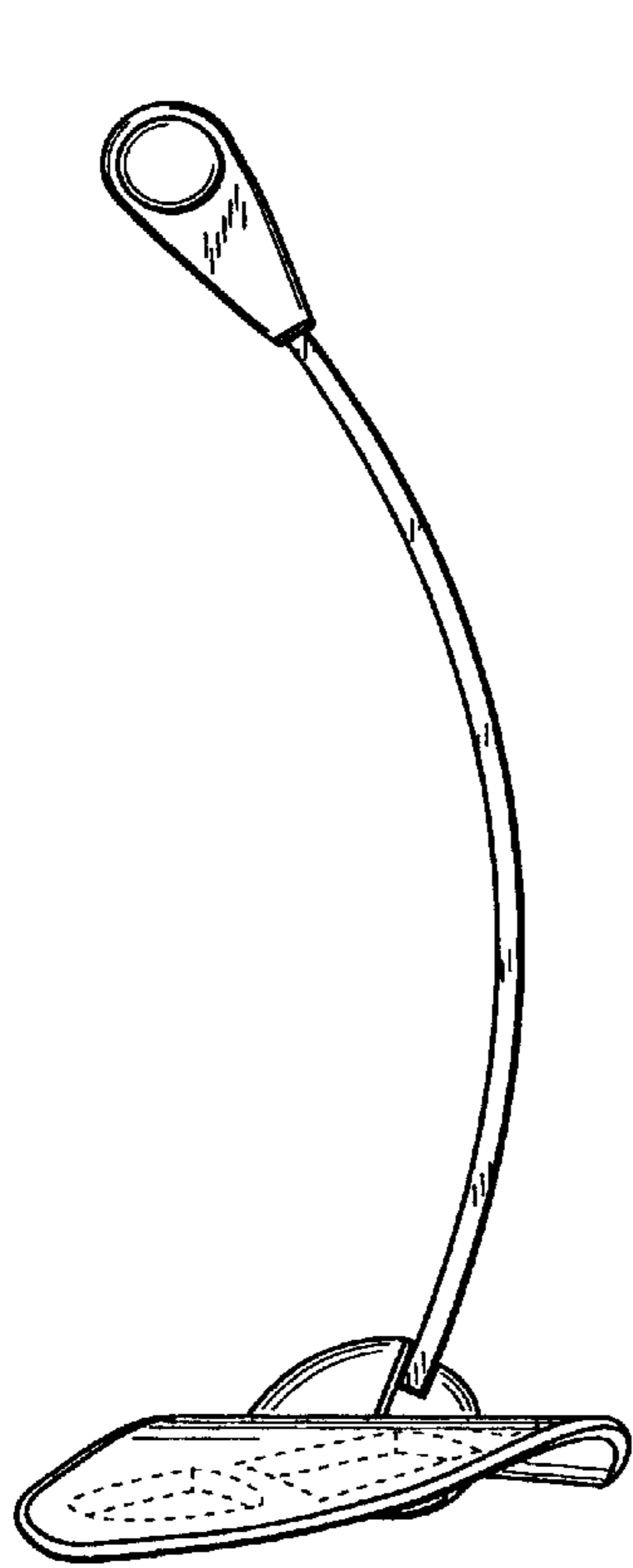


FIG. 5

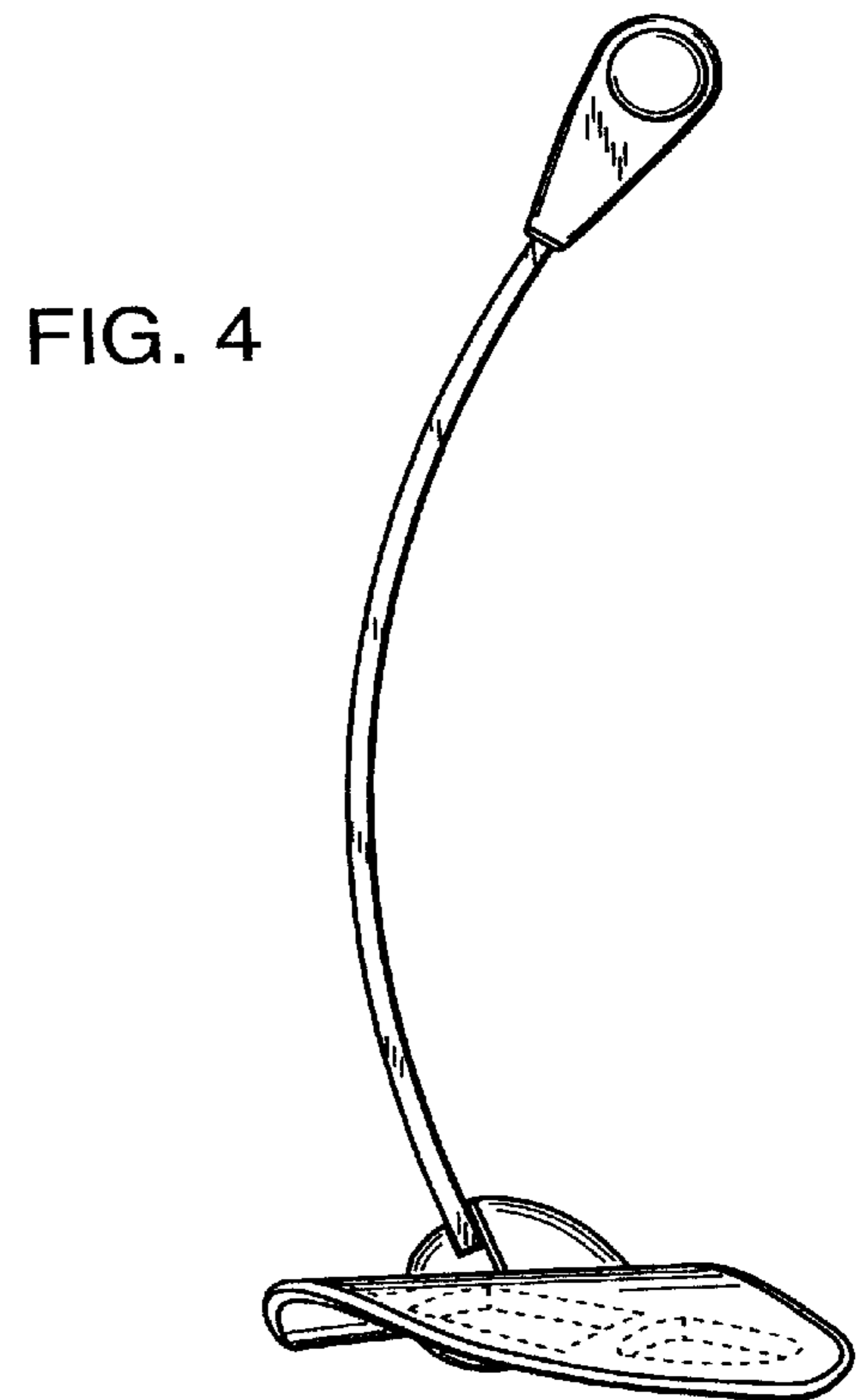


FIG. 4

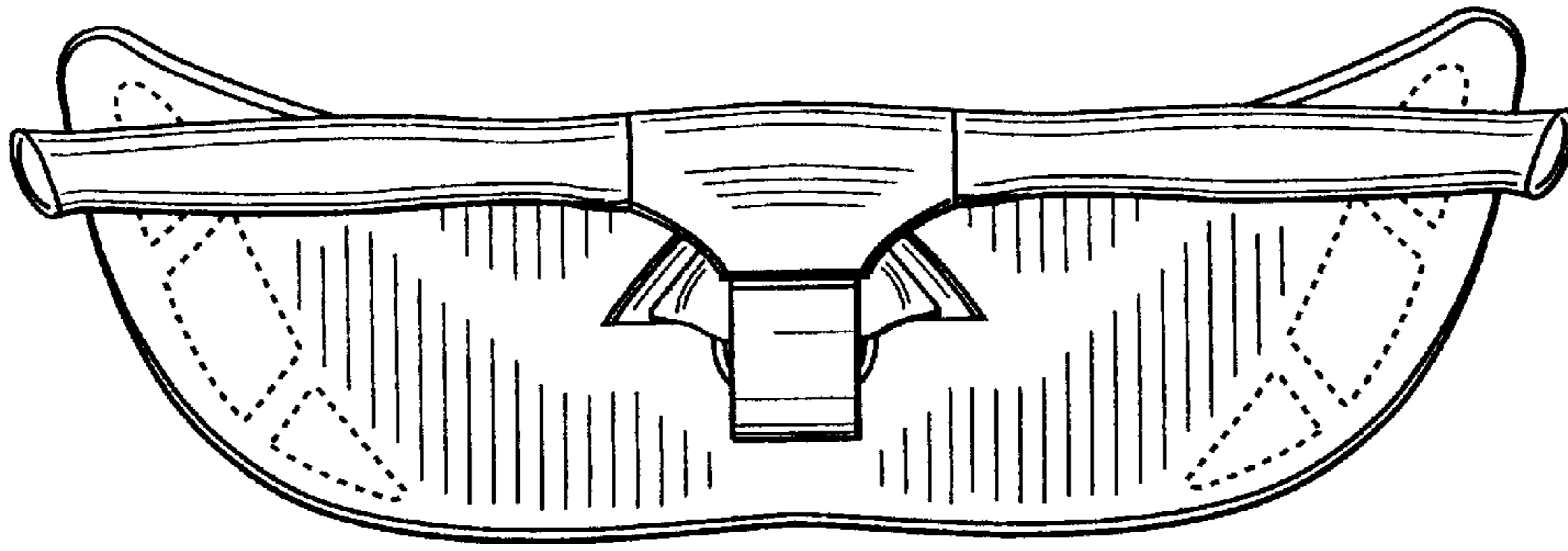


FIG. 6

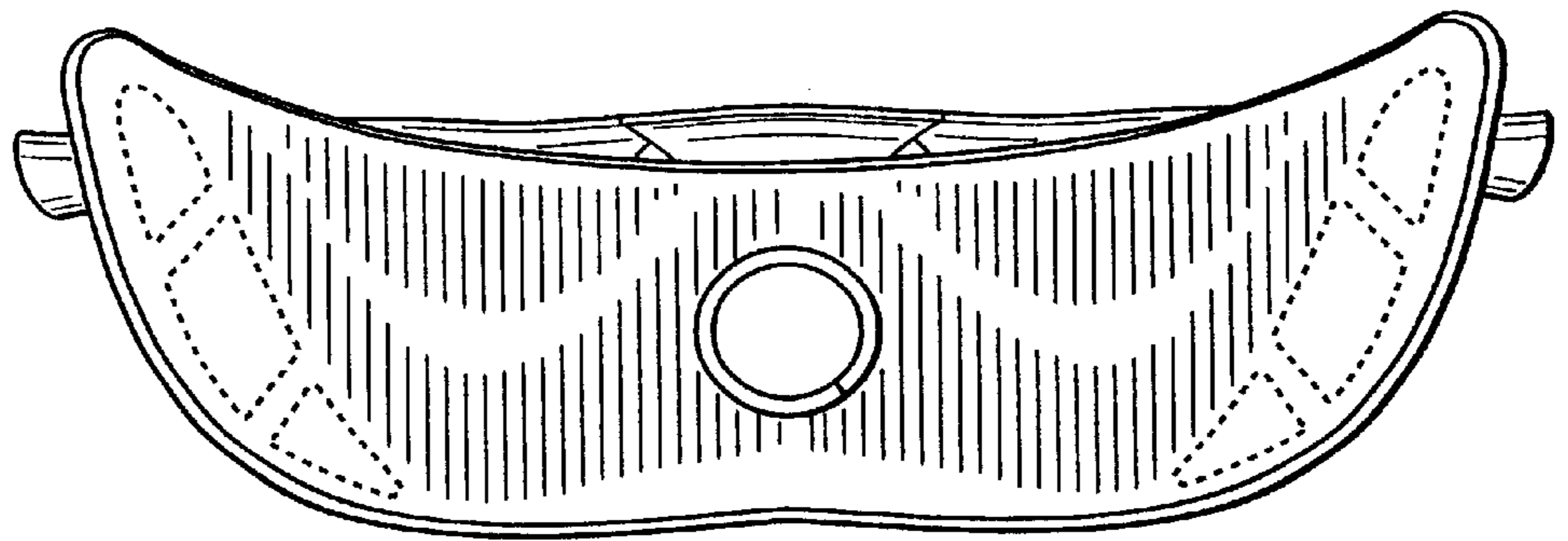


FIG. 7