



US00D463835S

(12) **United States Design Patent**
Nishizawa

(10) **Patent No.:** **US D463,835 S**

(45) **Date of Patent:** **** Oct. 1, 2002**

(54) **EXERCISE STATIONARY BIKE**

(75) Inventor: **Minoru Nishizawa**, Tokyo-To (JP)

(73) Assignee: **COMBI Corporation**, Tokyo (JP)

(**) Term: **14 Years**

(21) Appl. No.: **29/148,034**

(22) Filed: **Sep. 14, 2001**

(30) **Foreign Application Priority Data**

Mar. 19, 2001 (JP) 2001-007216

(51) **LOC (7) Cl.** **21-02**

(52) **U.S. Cl.** **D21/663**

(58) **Field of Search** D21/663, 662,
D21/664, 665, 666, 667, 668, 670; 482/51,
52, 53, 54, 57, 58

(56) **References Cited**

U.S. PATENT DOCUMENTS

- D290,149 S * 6/1987 Nakao et al. D21/663
- D298,267 S * 10/1988 Nakao et al. D21/663
- D299,371 S * 1/1989 Tsuyama D21/663
- D299,670 S * 1/1989 Lin et al. D21/663
- D325,946 S * 5/1992 Cesaroni et al. D21/663

- D344,313 S * 2/1994 Wu D21/663
- D398,673 S * 9/1998 Huang D21/663
- D401,644 S * 11/1998 Chen D21/663
- 5,902,215 A * 5/1999 Kuo 482/57
- D444,515 S * 7/2001 Moran et al. D21/663

* cited by examiner

Primary Examiner—Philip S. Hyder

(74) *Attorney, Agent, or Firm*—Birch, Stewart, Kolasch & Birch, LLP

(57) **CLAIM**

The ornamental design for an exercise stationary bike, as shown and described.

DESCRIPTION

FIG. 1 is a front perspective view of a exercise stationary bike showing my new design;
 FIG. 2 is a rear perspective view thereof;
 FIG. 3 is a front elevational view thereof;
 FIG. 4 is a rear elevational view thereof;
 FIG. 5 is a top plan view thereof;
 FIG. 6 is a bottom plan view thereof;
 FIG. 7 is a right side elevational view thereof; and,
 FIG. 8 is a left side elevational view thereof.

1 Claim, 3 Drawing Sheets

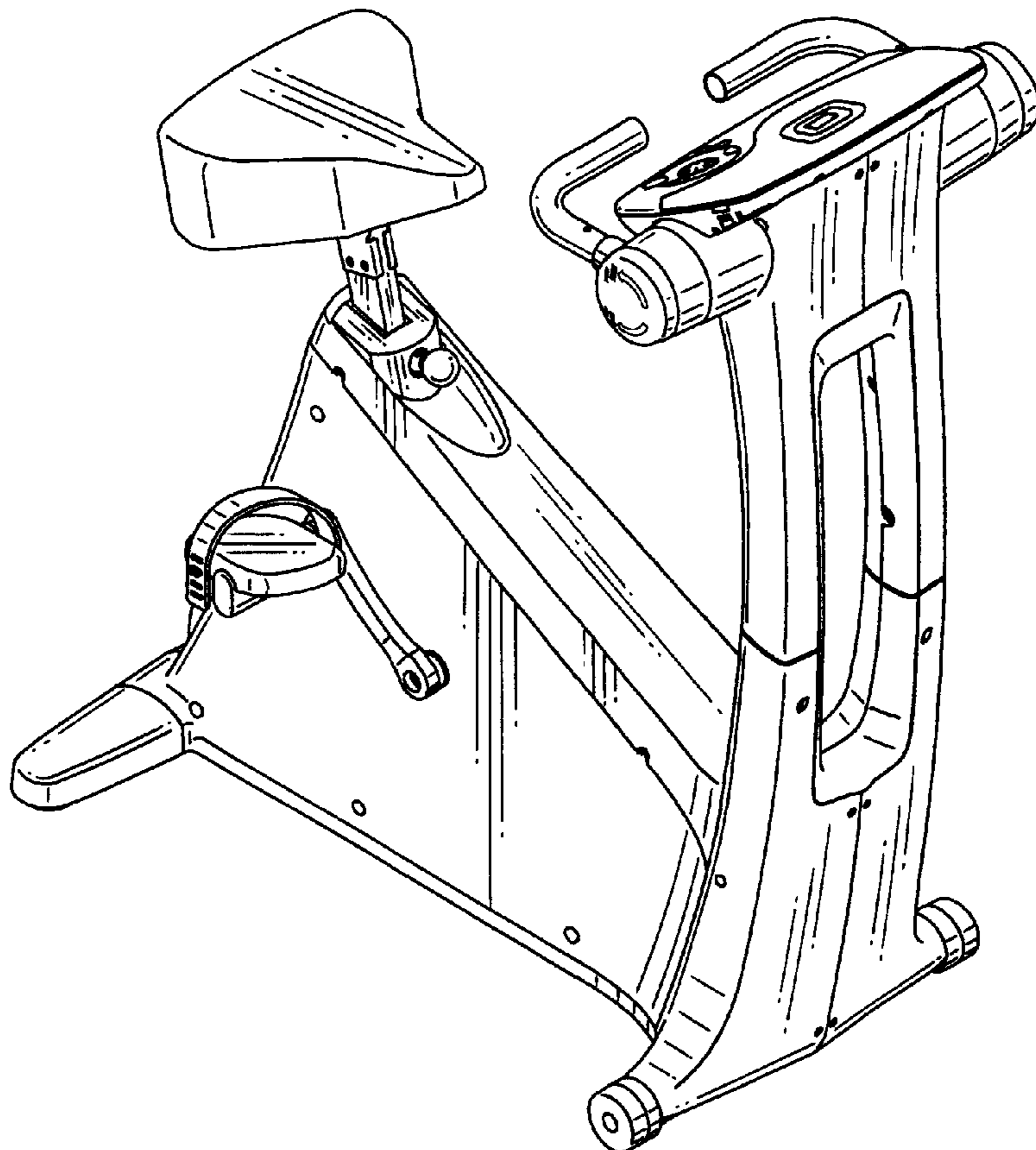


FIG. 1

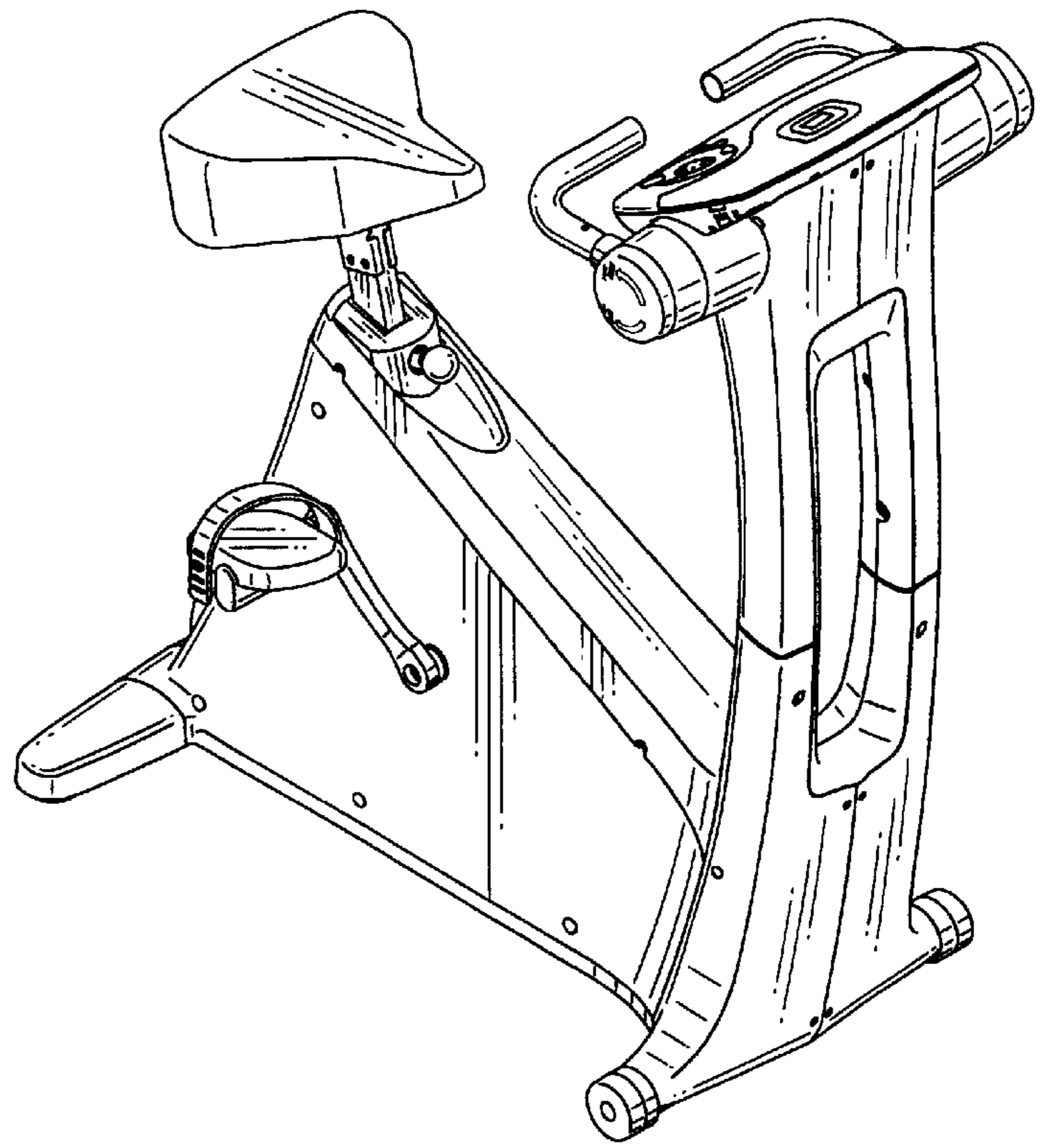


FIG. 2

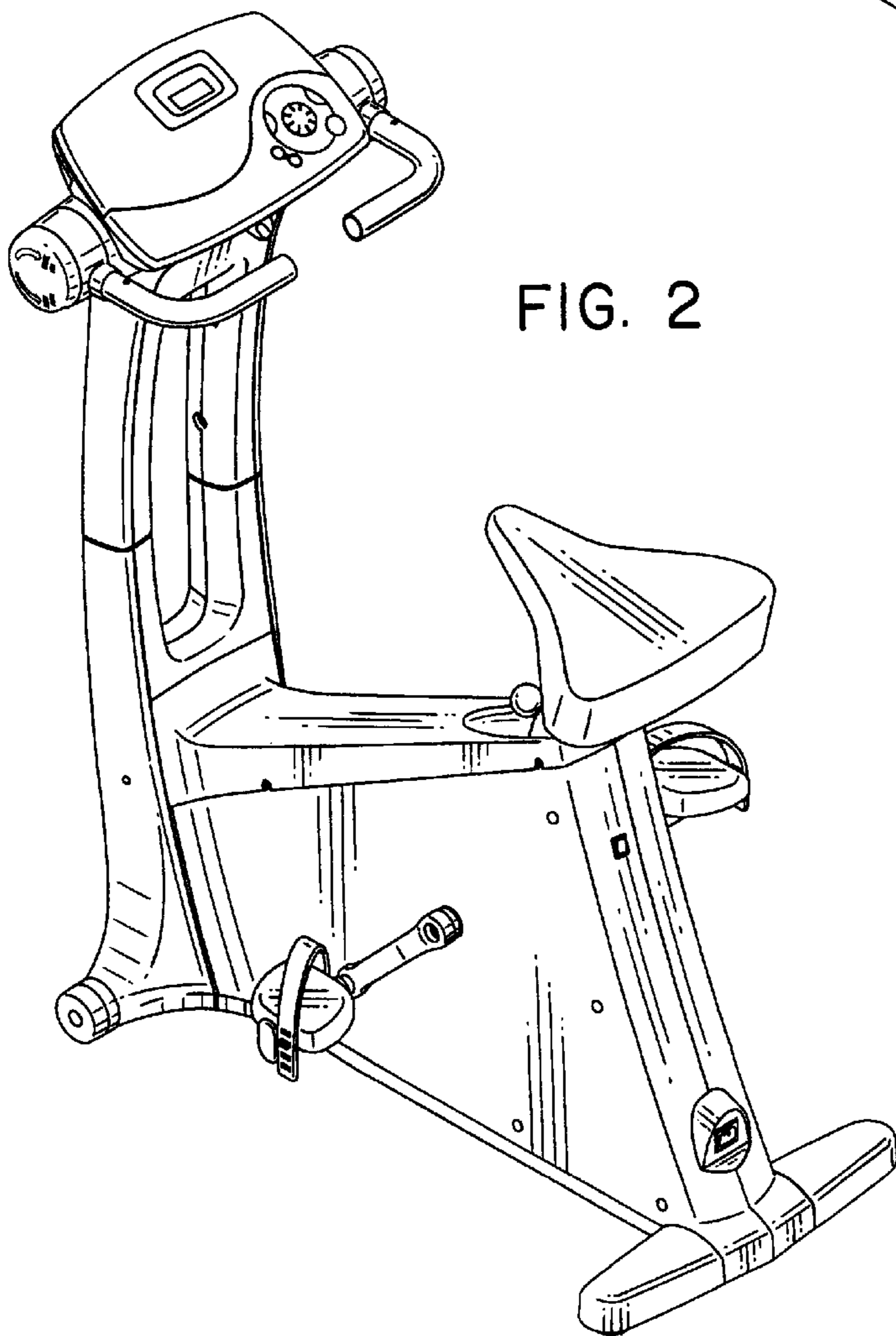


FIG. 3

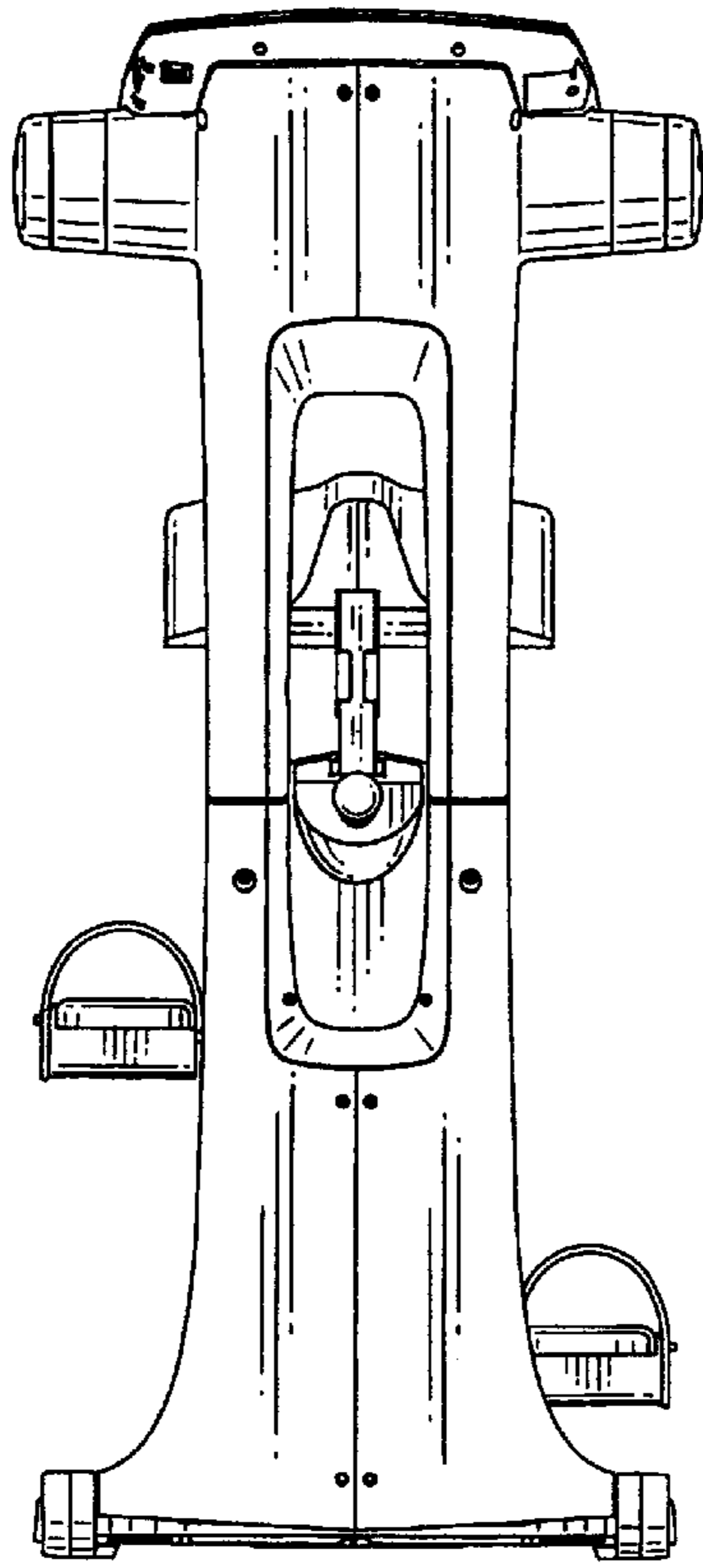


FIG. 4

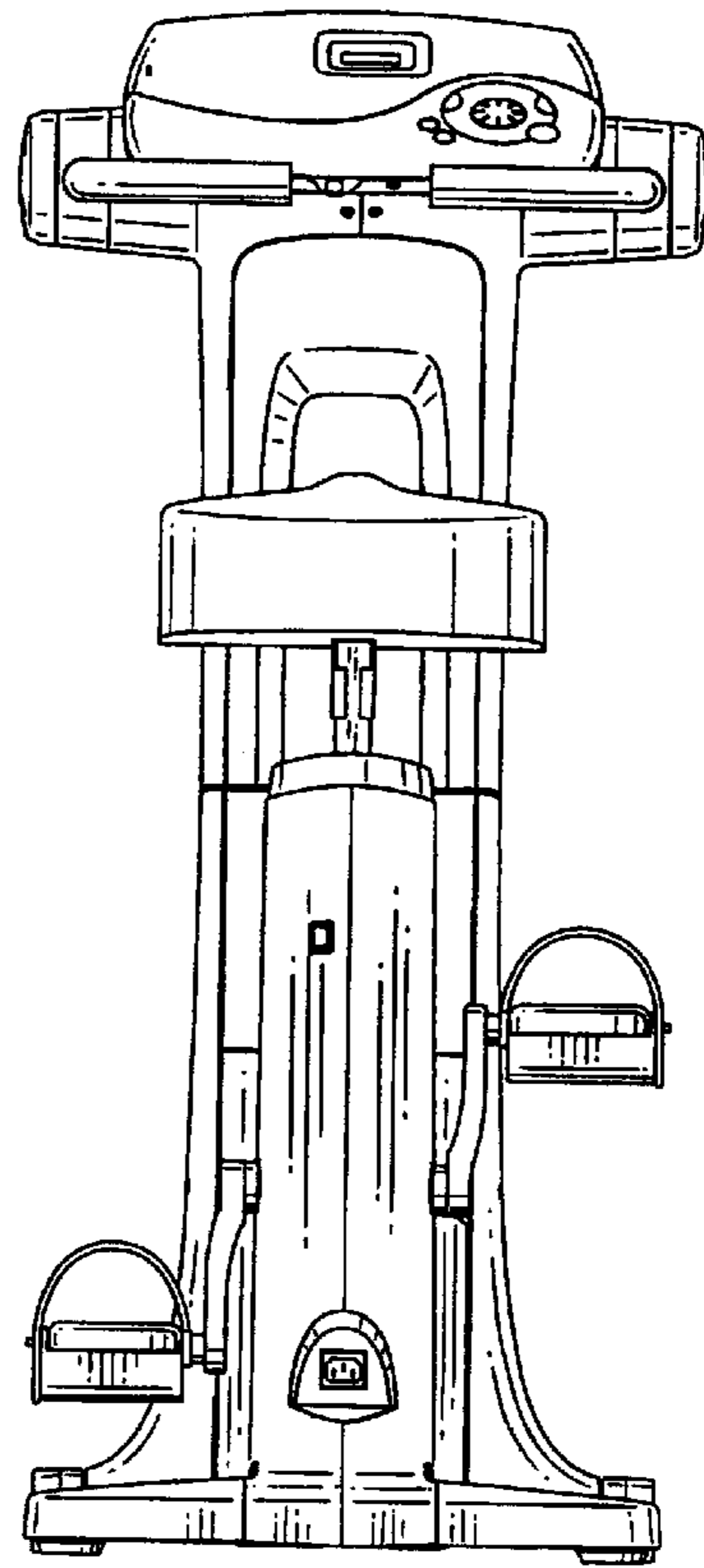


FIG. 5

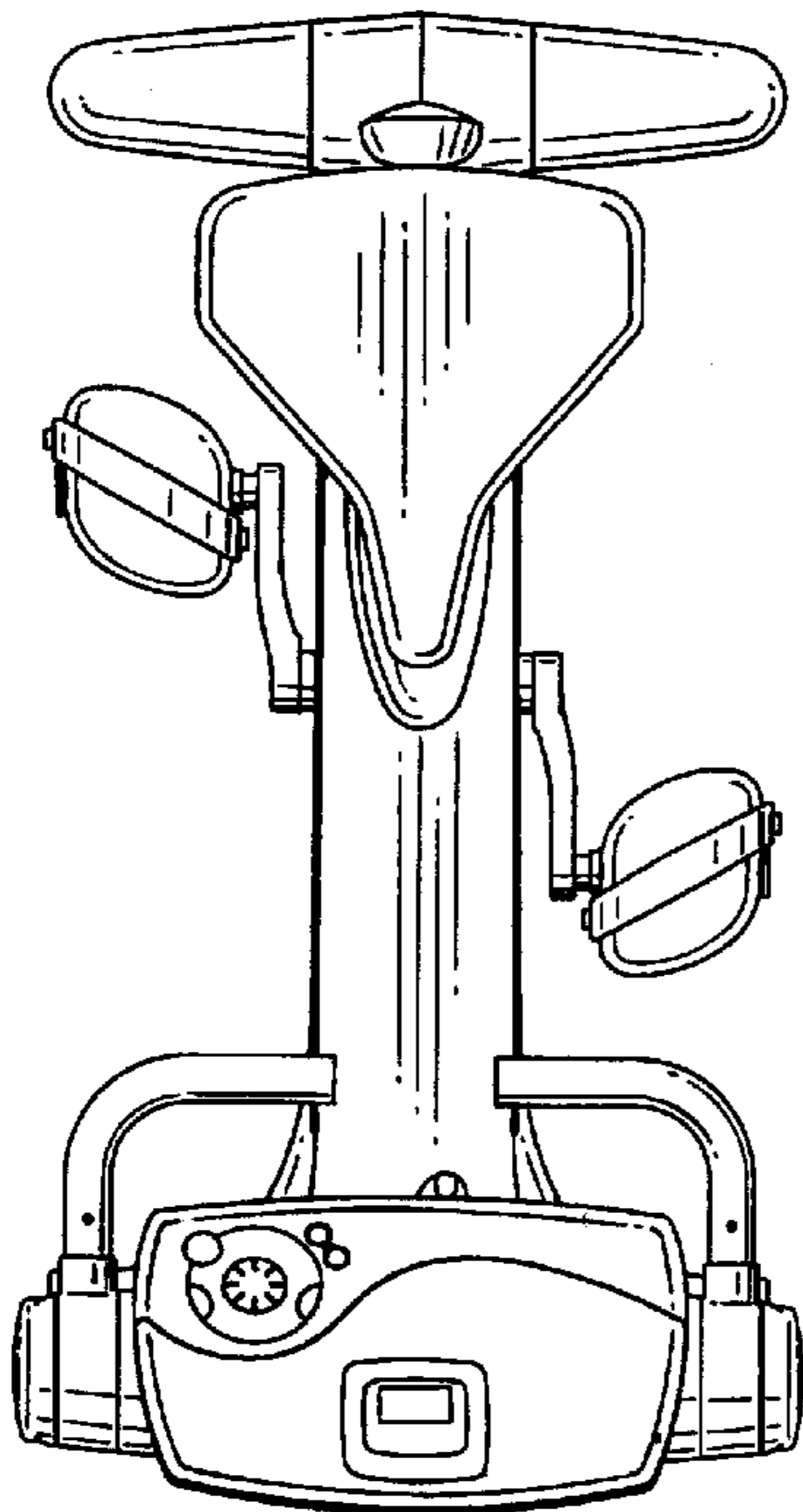


FIG. 6

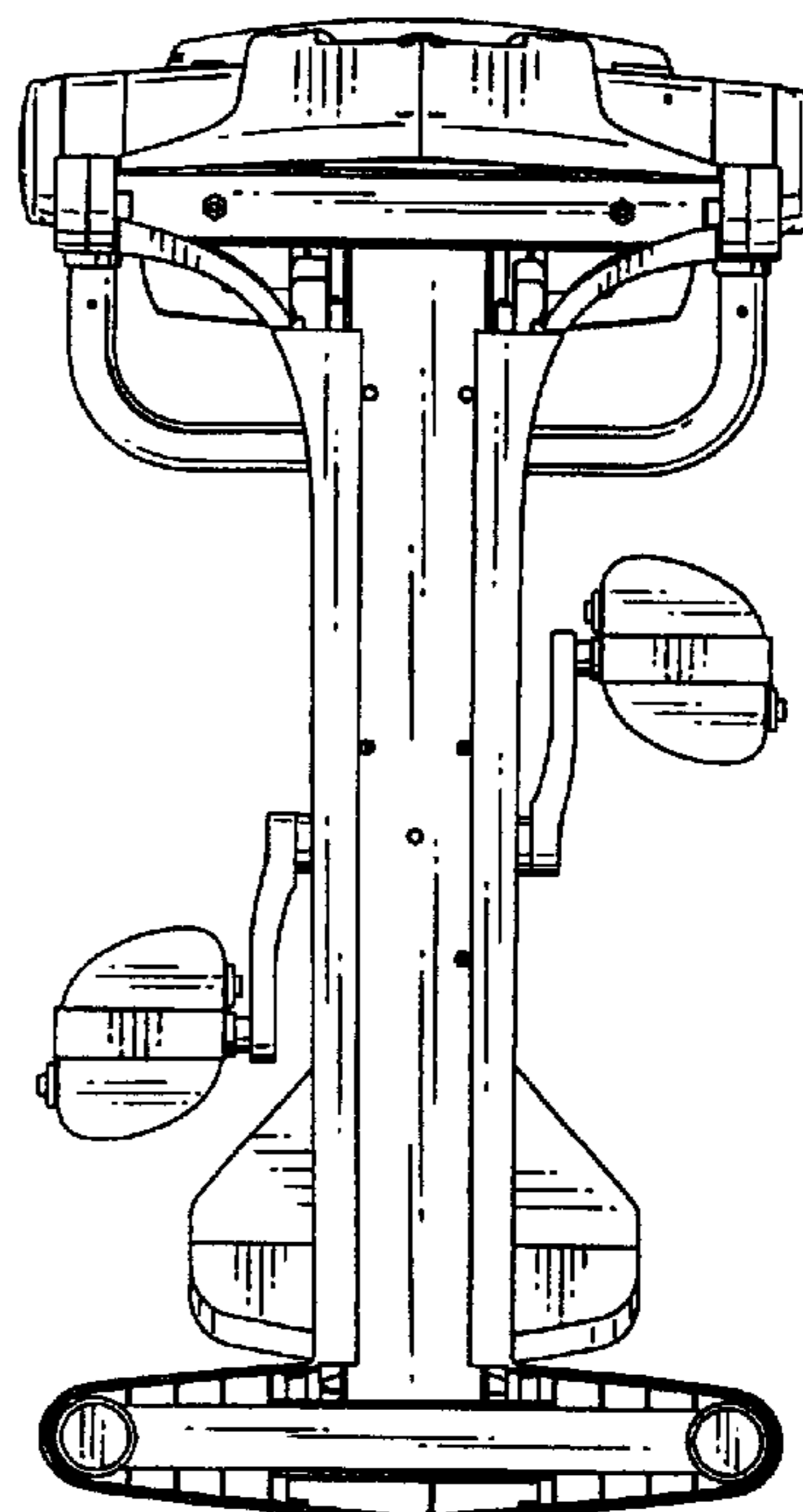


FIG. 7

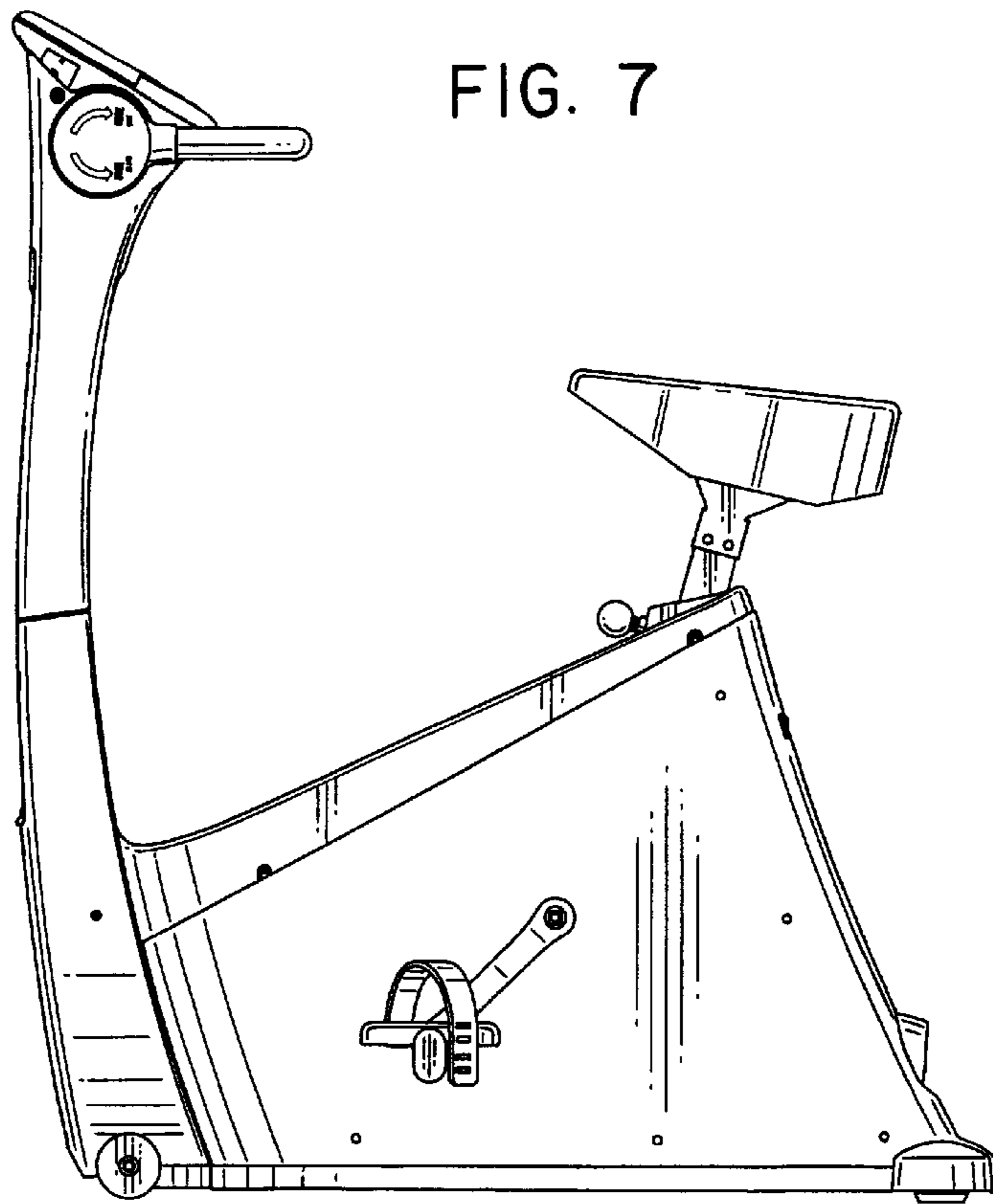


FIG. 8

