



US00D463832S

(12) **United States Design Patent**
Zucchi et al.

(10) **Patent No.:** **US D463,832 S**

(45) **Date of Patent:** **** Oct. 1, 2002**

- (54) **HOCKEY GAME TABLE**
- (75) Inventors: **Jeffrey R. Zucchi**, Evansville, IN (US);
James R. Allshouse, Newburgh, IN (US)
- (73) Assignee: **Indian Industries, Inc.**, Evansville, IN (US)
- (**) Term: **14 Years**
- (21) Appl. No.: **29/154,682**
- (22) Filed: **Jan. 28, 2002**

4,834,371 A	5/1989	Hay et al.	273/85 B
D306,107 S	2/1990	Grosfillex	D6/480
5,029,862 A *	7/1991	Driska	273/118 A
5,104,607 A	4/1992	Driska	264/536
5,356,143 A	10/1994	Hylak	273/126 A
5,417,421 A	5/1995	Bagley	273/108
5,591,087 A	1/1997	Salinas	473/3
5,788,231 A *	8/1998	To	273/126 A
D400,951 S	11/1998	Nally et al.	D21/397
D418,176 S *	12/1999	Nally et al.	D21/341
6,109,607 A	8/2000	Cartwright et al.	273/108.1
6,276,682 B1	8/2001	Yamaskita et al.	273/126 A
2001/0033054 A1	10/2001	Rossi et al.	273/126 R

* cited by examiner

Related U.S. Application Data

- (63) Continuation-in-part of application No. 09/610,143, filed on Jul. 5, 2000, now Pat. No. 6,345,820.
- (51) **LOC (7) Cl.** **21-01**
- (52) **U.S. Cl.** **D21/385; D21/397**
- (58) **Field of Search** D21/338, 341,
D21/385, 397; 273/118 A, 119 R, 126 A,
126 R, 148 R

Primary Examiner—Sandra L. Morris
(74) *Attorney, Agent, or Firm*—Woodard, Emhardt, Naughton, Moriarty & McNett

(57) **CLAIM**

The ornamental design for hockey game table, as shown and described.

DESCRIPTION

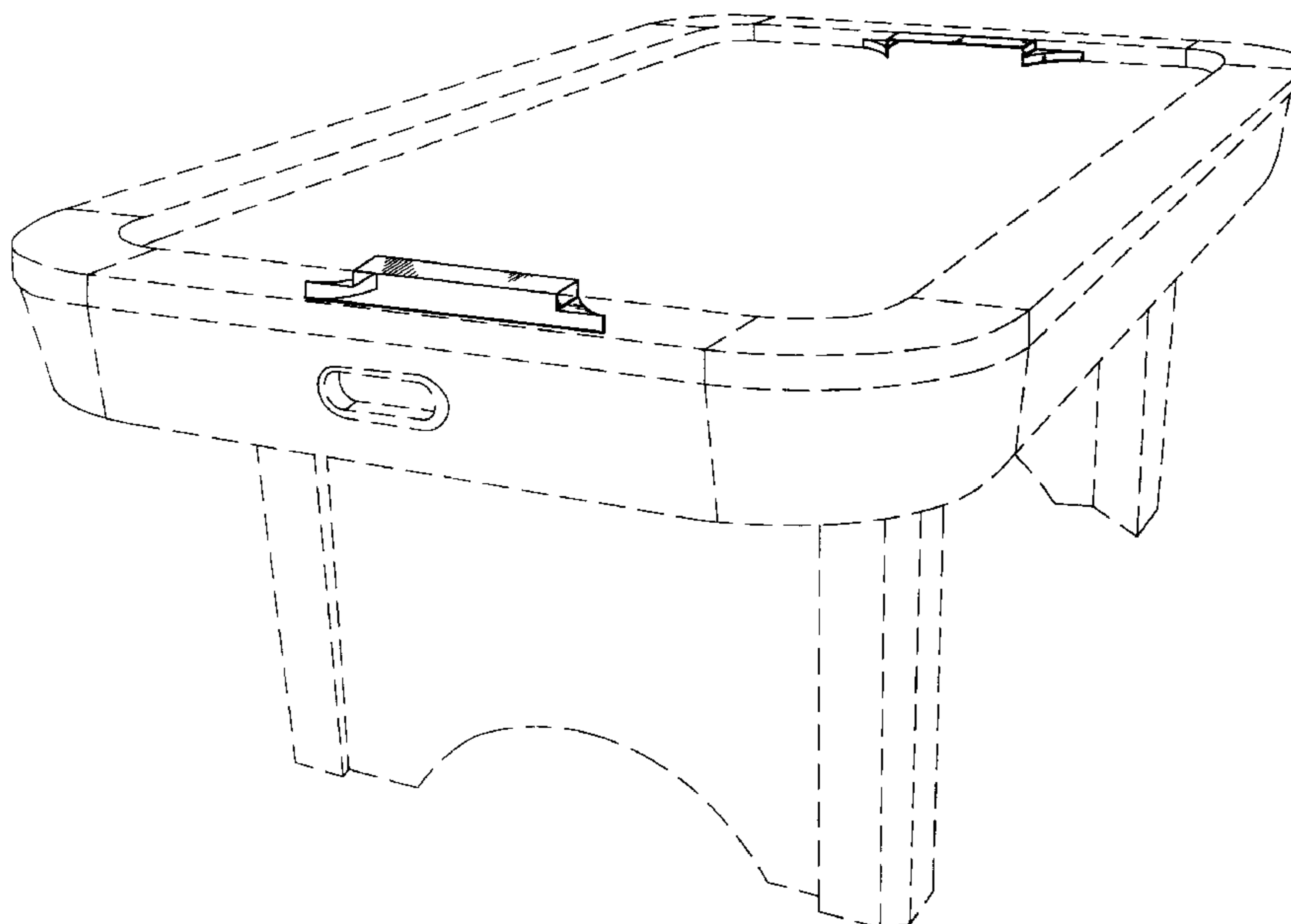
FIG. 1 is a right, front perspective view of a hockey game table showing our new design;
 FIG. 2 is a top plan view thereof;
 FIG. 3 is a right side elevational view thereof, the left side being symmetrical; and,
 FIG. 4 is a front elevational view thereof, the rear side being symmetrical.
 FIGS. 2-4 are shown on an enlarged scale, the broken line showing of the legs is for illustrative purposes only, and form no part of the claimed design.
 The bottom plan view is omitted, the hockey game table bottom being plain and unornamented.

(56) **References Cited**

U.S. PATENT DOCUMENTS

3,722,888 A	3/1973	Ducharme	273/126 R
3,773,325 A	11/1973	Crossman et al.	273/126 A
D234,780 S	4/1975	La Mieux	D21/784
D235,669 S	7/1975	Le Mieux	D34/5 J
3,931,974 A	1/1976	Goldfarb et al.	273/126 R
D238,953 S	2/1976	Cecchetti	D21/14
3,947,035 A	3/1976	Bochard	273/126 R
3,954,267 A	5/1976	Freeman et al.	273/126 A
4,076,242 A *	2/1978	Joseph	273/126 R
4,294,449 A	10/1981	Shaw	273/126 R
D290,796 S	7/1987	Becker	D6/480

1 Claim, 4 Drawing Sheets



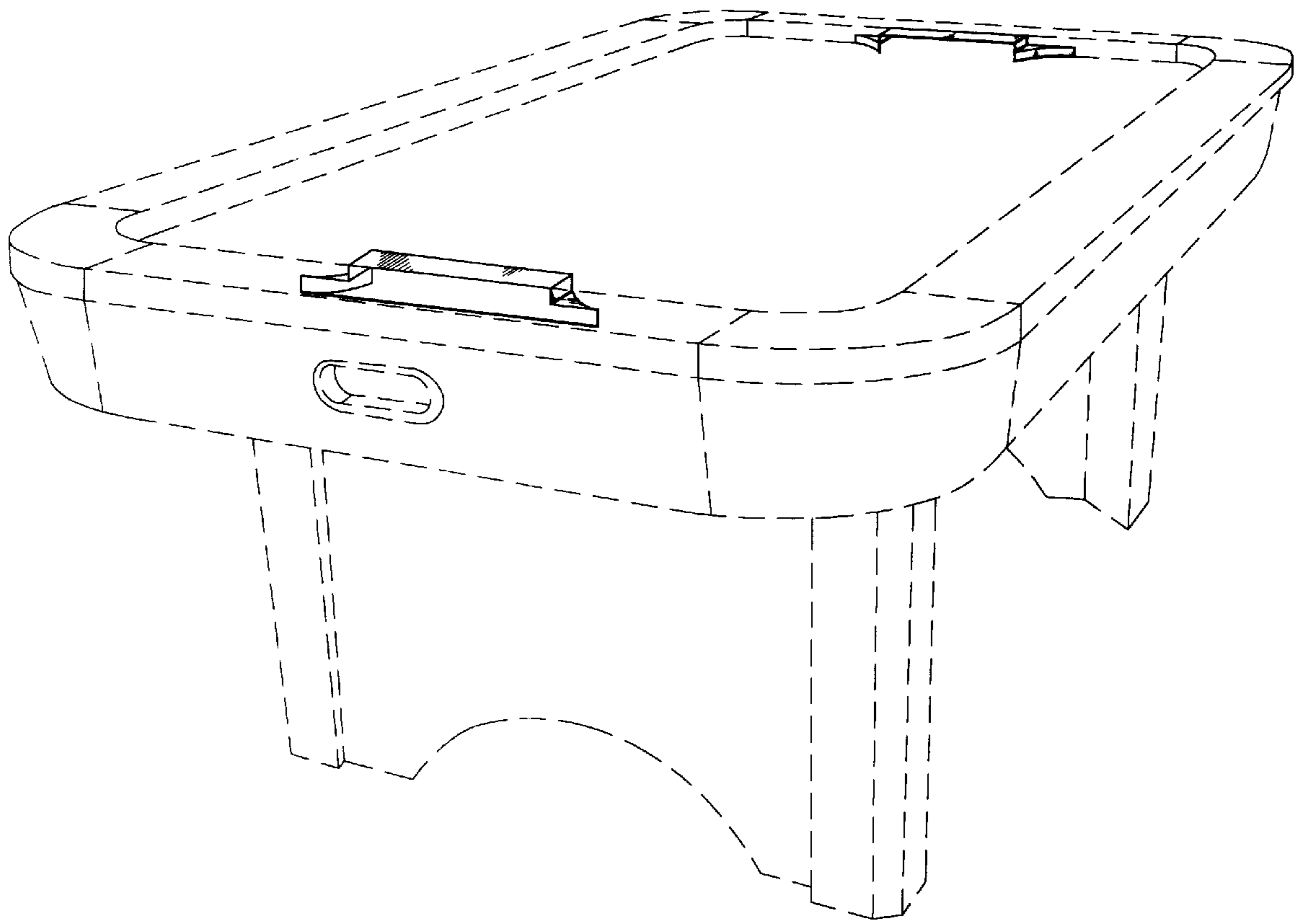


Fig. 1

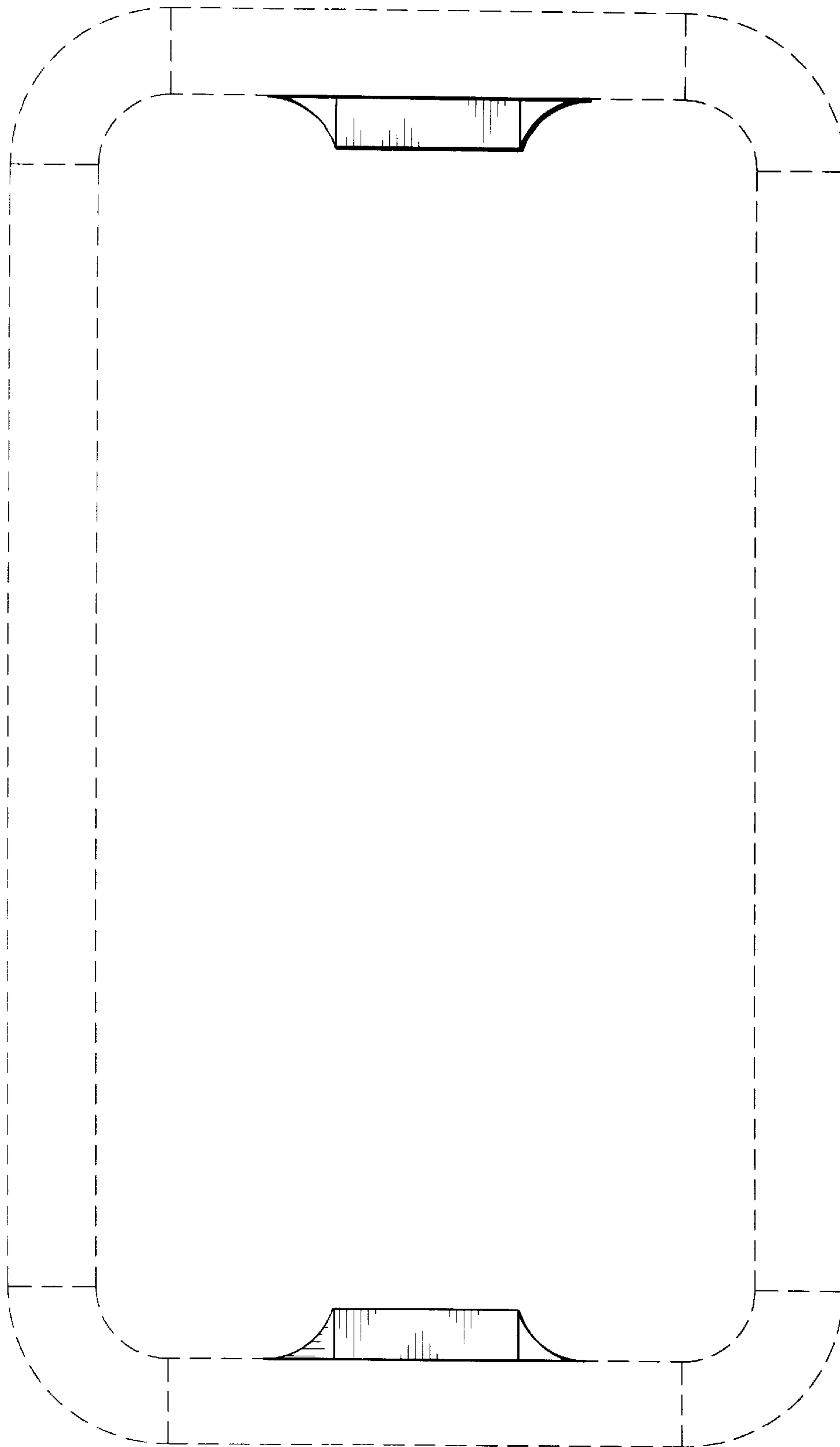


Fig. 2

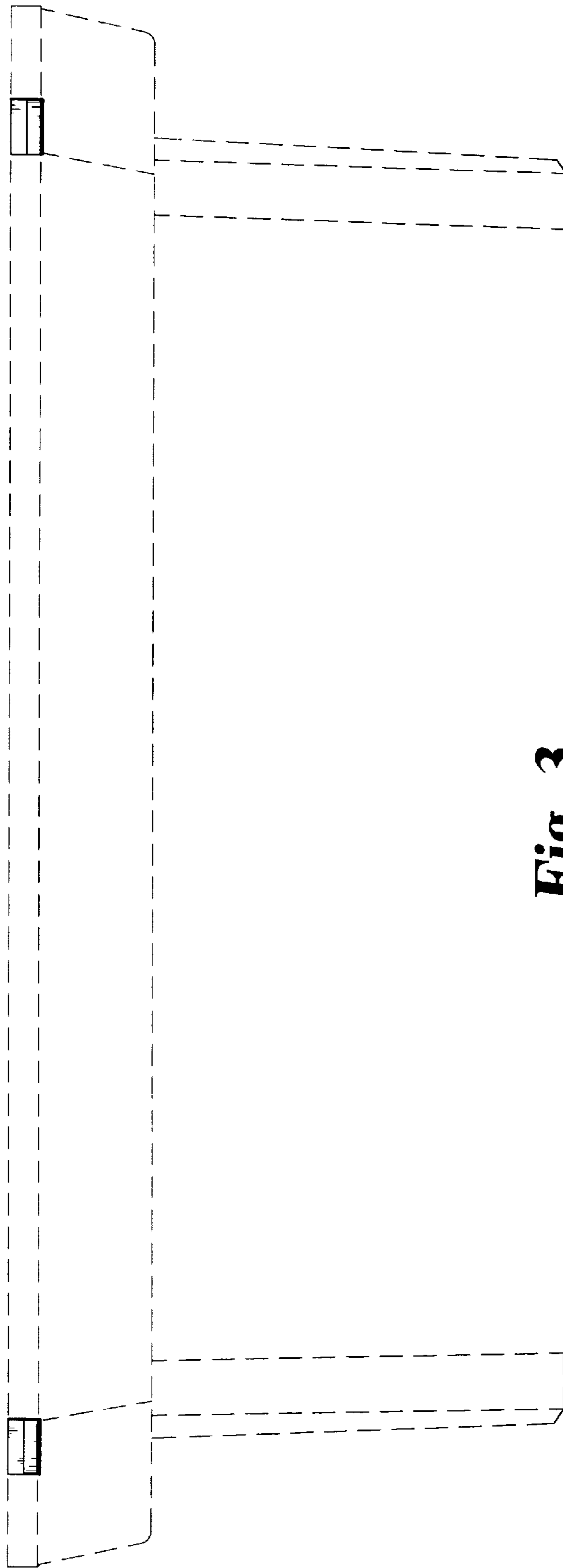


Fig. 3

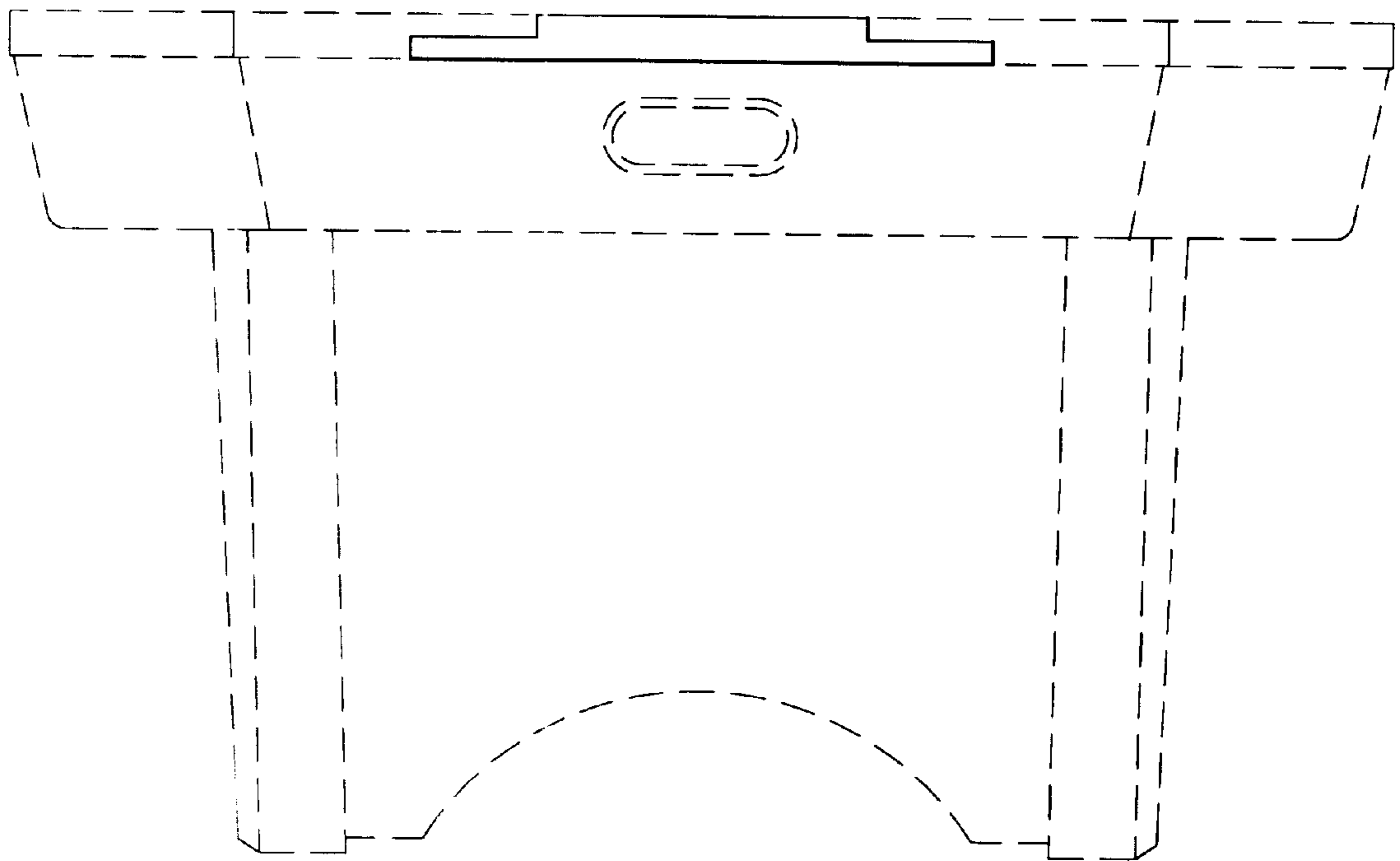


Fig. 4