



US00D463831S

(12) **United States Design Patent**  
**Colella et al.**

(10) **Patent No.:** **US D463,831 S**

(45) **Date of Patent:** **\*\* Oct. 1, 2002**

(54) **FIELD BOUNDARY FOR A DICE GAME**

5,782,472 A \* 7/1998 Brown ..... D21/369

(76) Inventors: **Gregory A. Colella**, 2800 S. Lamb Blvd. #44, Las Vegas, NV (US) 89121; **Greg Flowers**, 6402 McLeod Dr., Suite 3, Las Vegas, NV (US) 89120; **James L. Meyer**, 7000 S. Paradise Rd. #1143, Las Vegas, NV (US) 89119; **Nichole Lema**, 3131 La Mesa, Henderson, NV (US) 89014

\* cited by examiner

*Primary Examiner*—Sandra L. Morris

(\*\*) Term: **14 Years**

(57) **CLAIM**

The ornamental design for a field boundary for a dice game, as shown and described.

(21) Appl. No.: **29/145,193**

(22) Filed: **Jul. 19, 2001**

(51) **LOC (7) Cl.** ..... **21-01**

(52) **U.S. Cl.** ..... **D21/372**

(58) **Field of Search** ..... D21/369, 371–373; 273/146, 268

**DESCRIPTION**

FIG. 1 is a perspective view of a field boundary for a dice game shown positioned on a gaming table, the broken line showing of the gaming table is for illustrative purposes only, and forms no part of the claimed design;

FIG. 2 is an enlarged perspective view of the field boundary for the dice game of the present invention.

FIG. 3 is a top plan view of the field boundary for the dice game of the present invention.

FIG. 4 is a bottom plan view of the field boundary for the dice game of the present invention.

FIG. 5 is a front view in elevation of the field boundary for the dice game of the present invention.

FIG. 6 is a rear view in elevation of the field boundary for the dice game of the present invention; and,

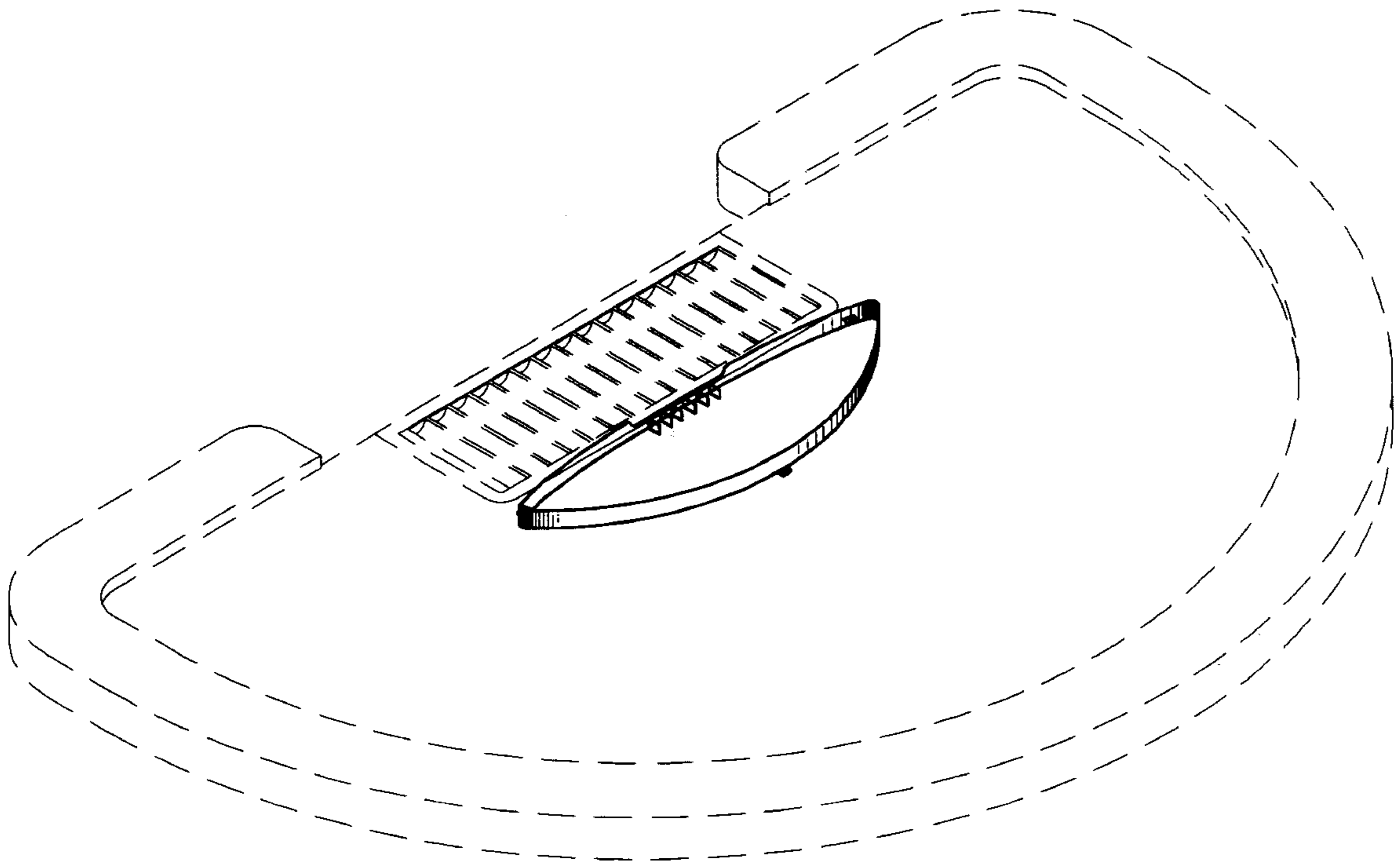
FIG. 7 is a right side elevational view thereof, the left side being a mirror image thereof.

(56) **References Cited**

**U.S. PATENT DOCUMENTS**

- D263,975 S \* 4/1982 Quiroga et al. .... D21/369
- D298,555 S \* 11/1988 Shen et al. .... D21/369
- 5,350,175 A \* 9/1994 DiLullo et al. .... 273/146
- D395,461 S \* 6/1998 Serowik et al. .... D21/369

**1 Claim, 7 Drawing Sheets**



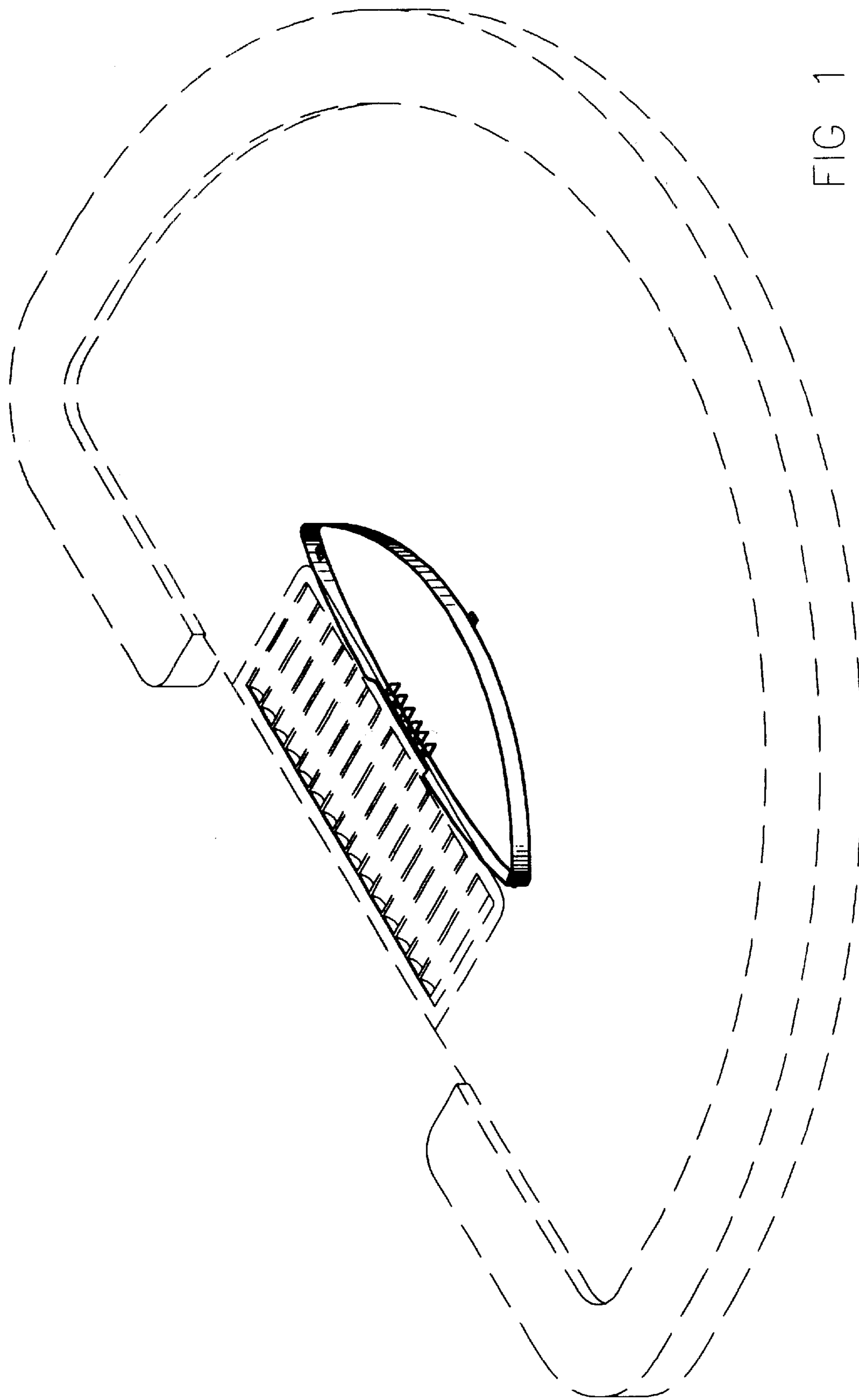


FIG. 1

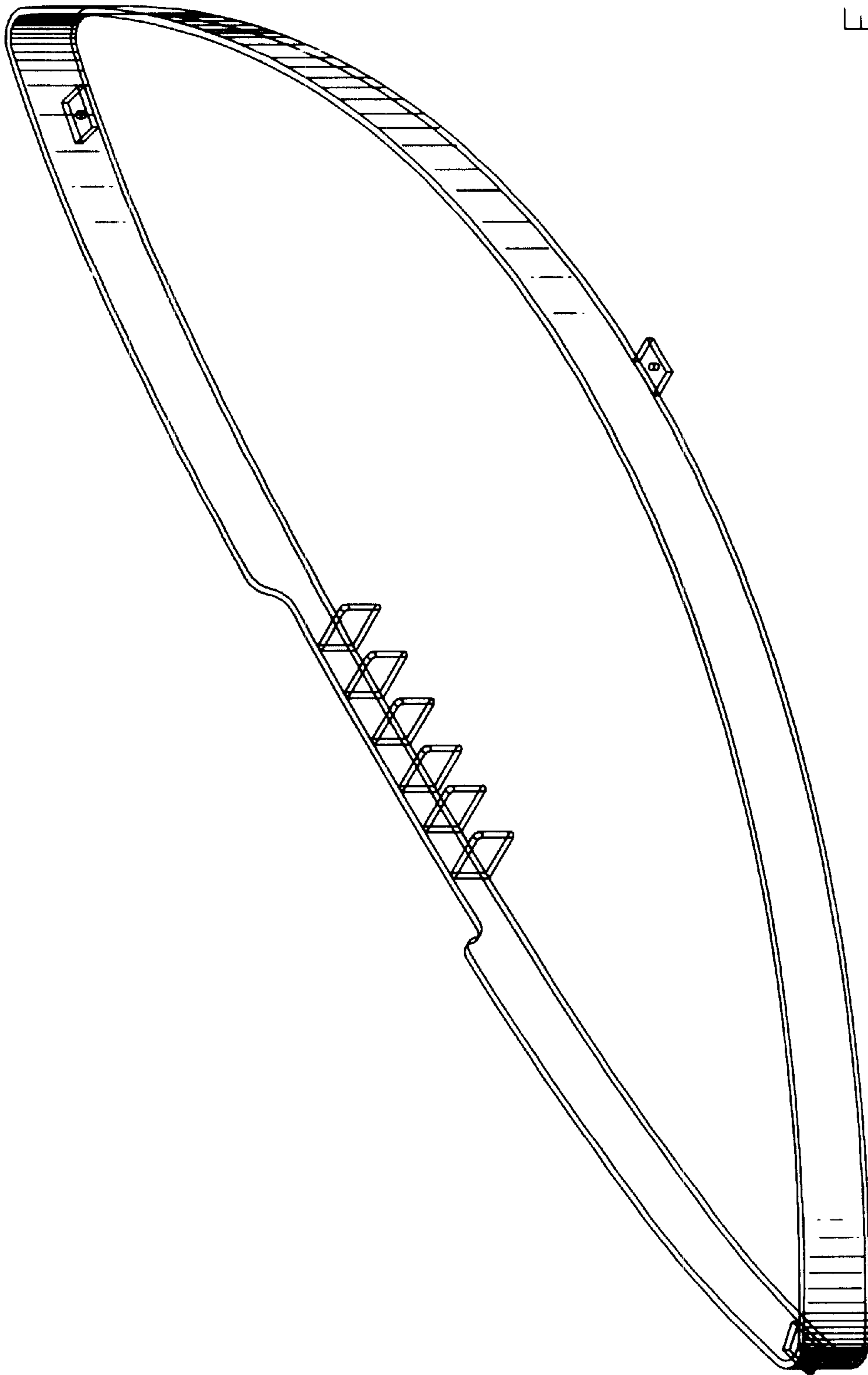


FIG 2

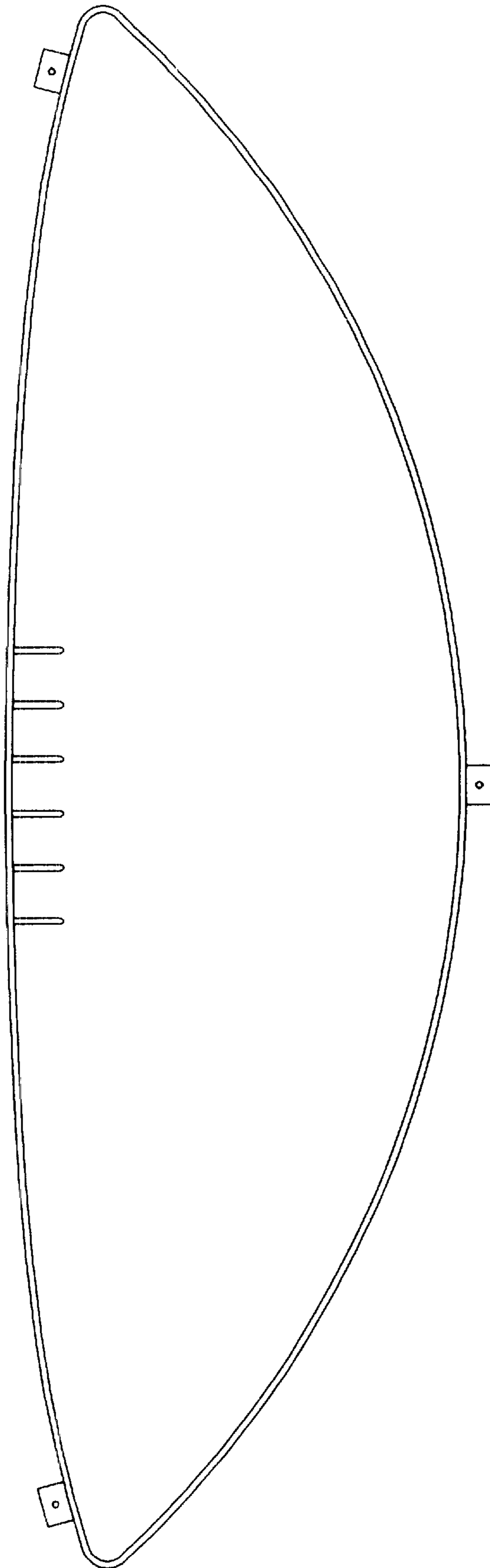


FIG 3

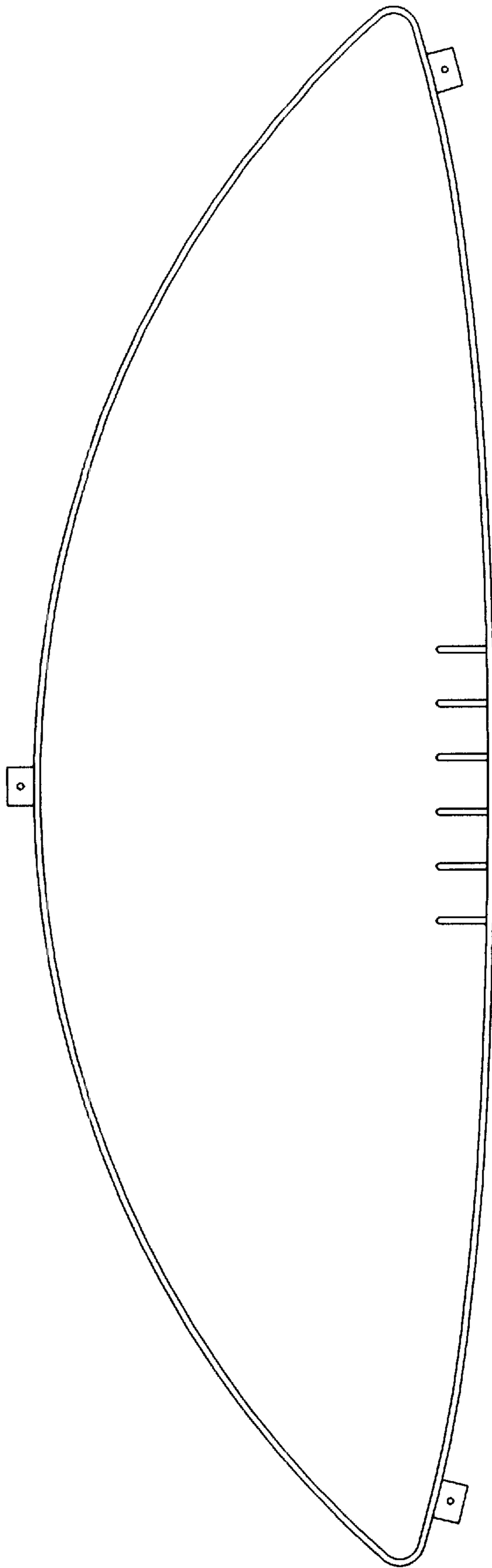


FIG 4

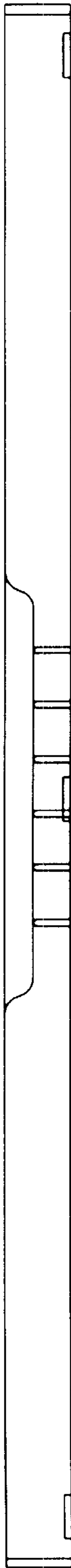


FIG 5

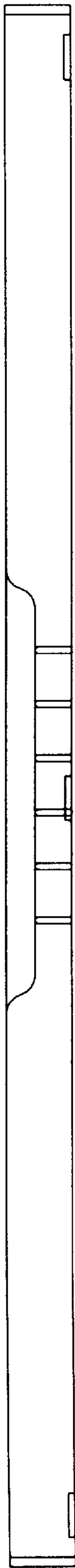


FIG 6



FIG 7