



US00D463828S

(12) **United States Design Patent**
Johnson

(10) **Patent No.:** **US D463,828 S**

(45) **Date of Patent:** **** Oct. 1, 2002**

(54) **PUSH BUTTON**

(75) **Inventor:** **Ian Frederick Johnson, Epping (AU)**

(73) **Assignee:** **Aristocrat Technologies Australia Pty Ltd., Lane Cove (AU)**

(**) **Term:** **14 Years**

(21) **Appl. No.:** **29/108,531**

(22) **Filed:** **Jul. 29, 1999**

(30) **Foreign Application Priority Data**

Feb. 3, 1999 (AU) 337/1999

(51) **LOC (7) Cl.** **21-01**

(52) **U.S. Cl.** **D21/333**

(58) **Field of Search** D21/324-333;
D14/400, 401, 412, 413, 496; 273/148 B,
127 R, 129 R; 463/1-4, 29-35, 46-52;
345/156, 167, 184; 348/734; 455/352-355,
899; 74/469, 471 R, 471 XY; 200/61.1,
61.11

(56) **References Cited**

U.S. PATENT DOCUMENTS

3,826,883 A * 7/1974 Foster et al. 273/127 R X

3,877,701 A * 4/1975 Foster et al. 273/119 A

D239,394 S * 3/1976 Adams et al. D13/169
D305,022 S * 12/1989 Hallgren et al. D13/171
5,044,635 A * 9/1991 Oermann 200/61.11
5,476,261 A * 12/1995 Hulstrand 273/148 B
5,697,612 A * 12/1997 Piotrowski et al. 273/127 R
5,859,631 A * 1/1999 Bergman et al. 345/173
D408,366 S * 4/1999 Popadiuk D21/333
D416,588 S * 11/1999 Goto D14/401

* cited by examiner

Primary Examiner—Prabhakar Deshmukh

(74) *Attorney, Agent, or Firm*—Rosenman & Colin LLP

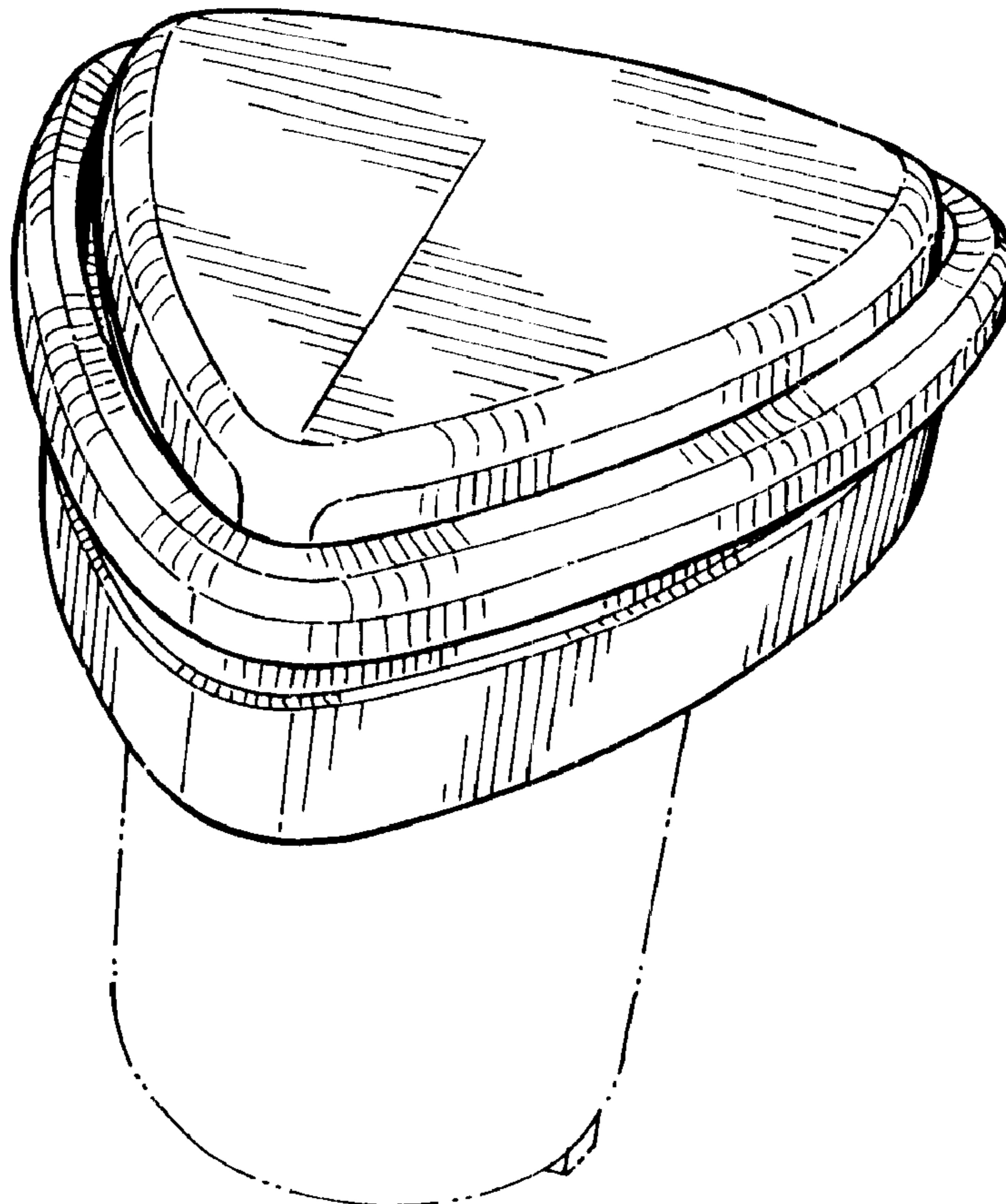
(57) **CLAIM**

The ornamental design for the push button, as shown and described.

DESCRIPTION

FIG. 1 is a perspective view of a push button showing my new design;
FIG. 2 is a front view of the push button shown in FIG. 1;
FIG. 3 is a rear view of the push button shown in FIG. 1;
FIG. 4 is a plan view of the push button shown in FIG. 1;
FIG. 5 is an inverted plan view of the push button shown in FIG. 1; and,
FIG. 6 is a right side view of the push button shown in FIG. 1.

1 Claim, 2 Drawing Sheets



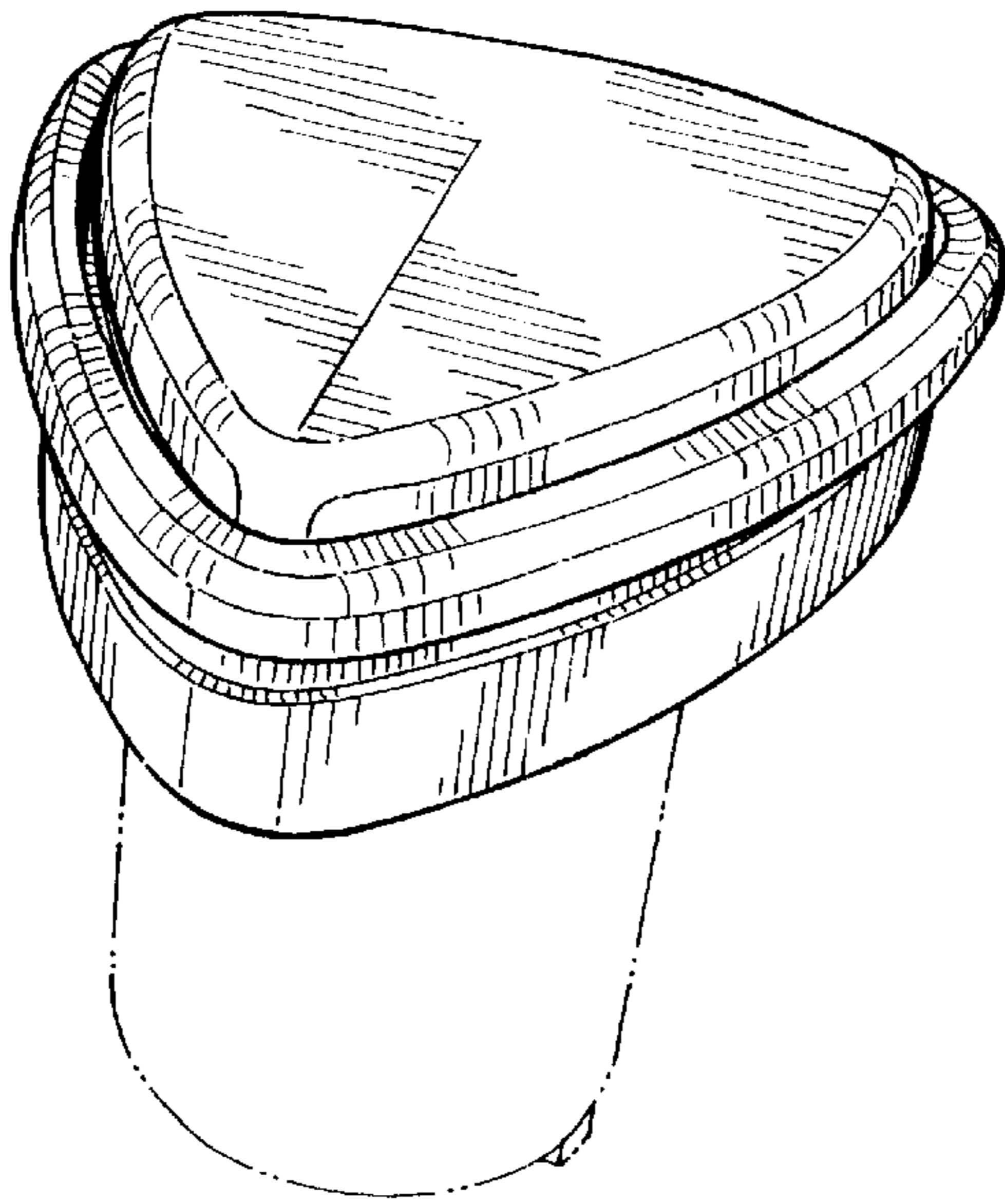


FIG. 1

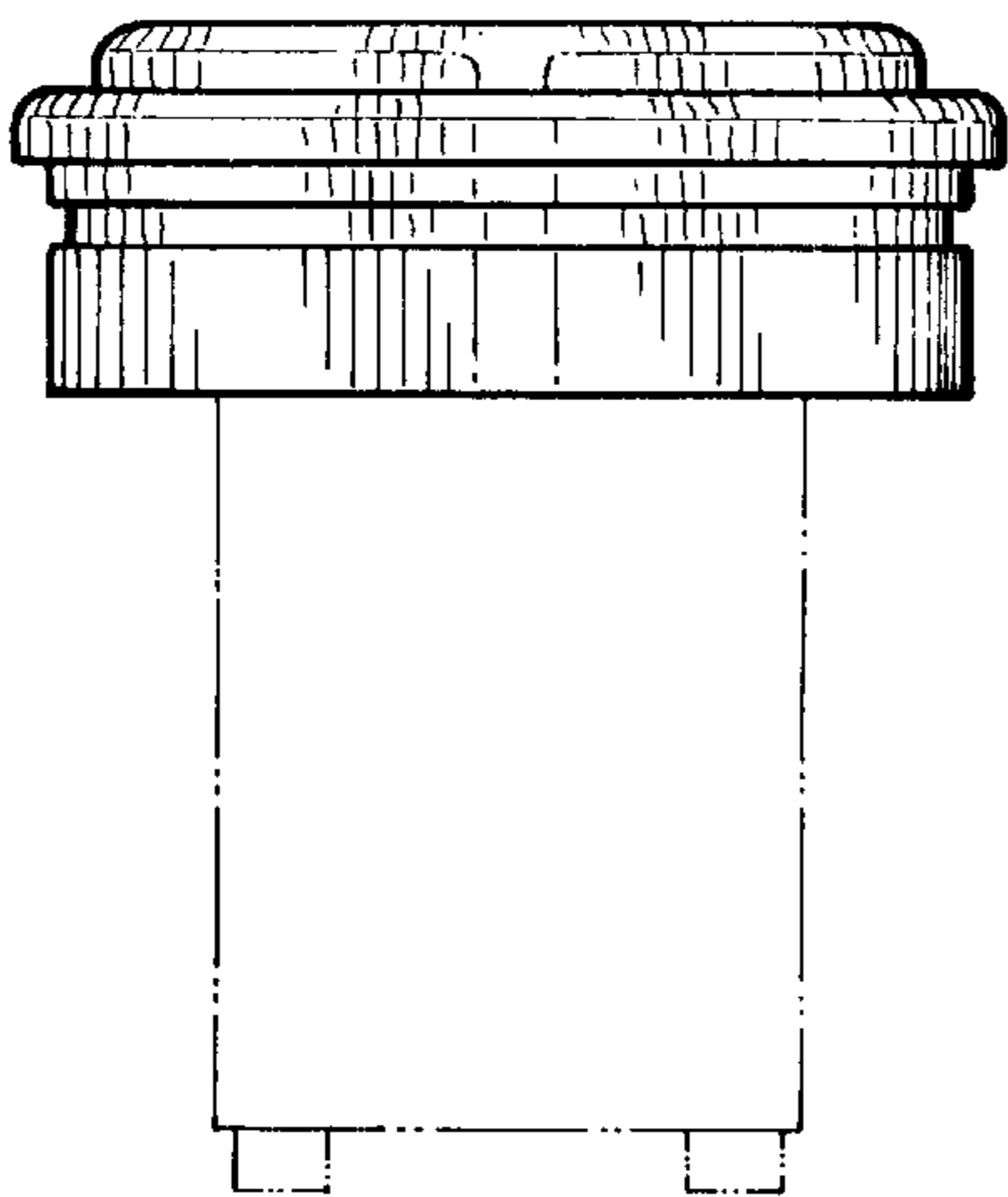


FIG. 2

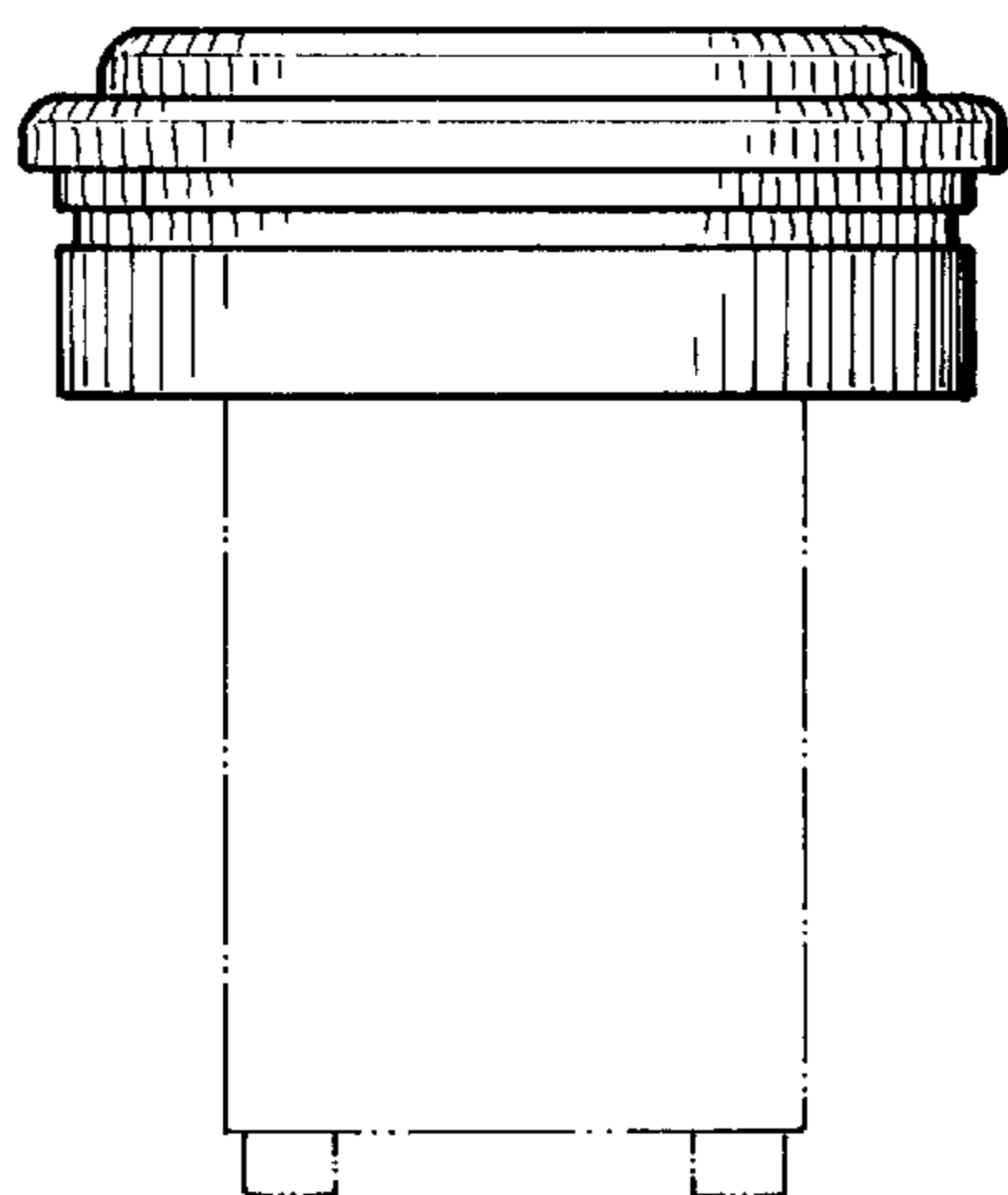


FIG. 3

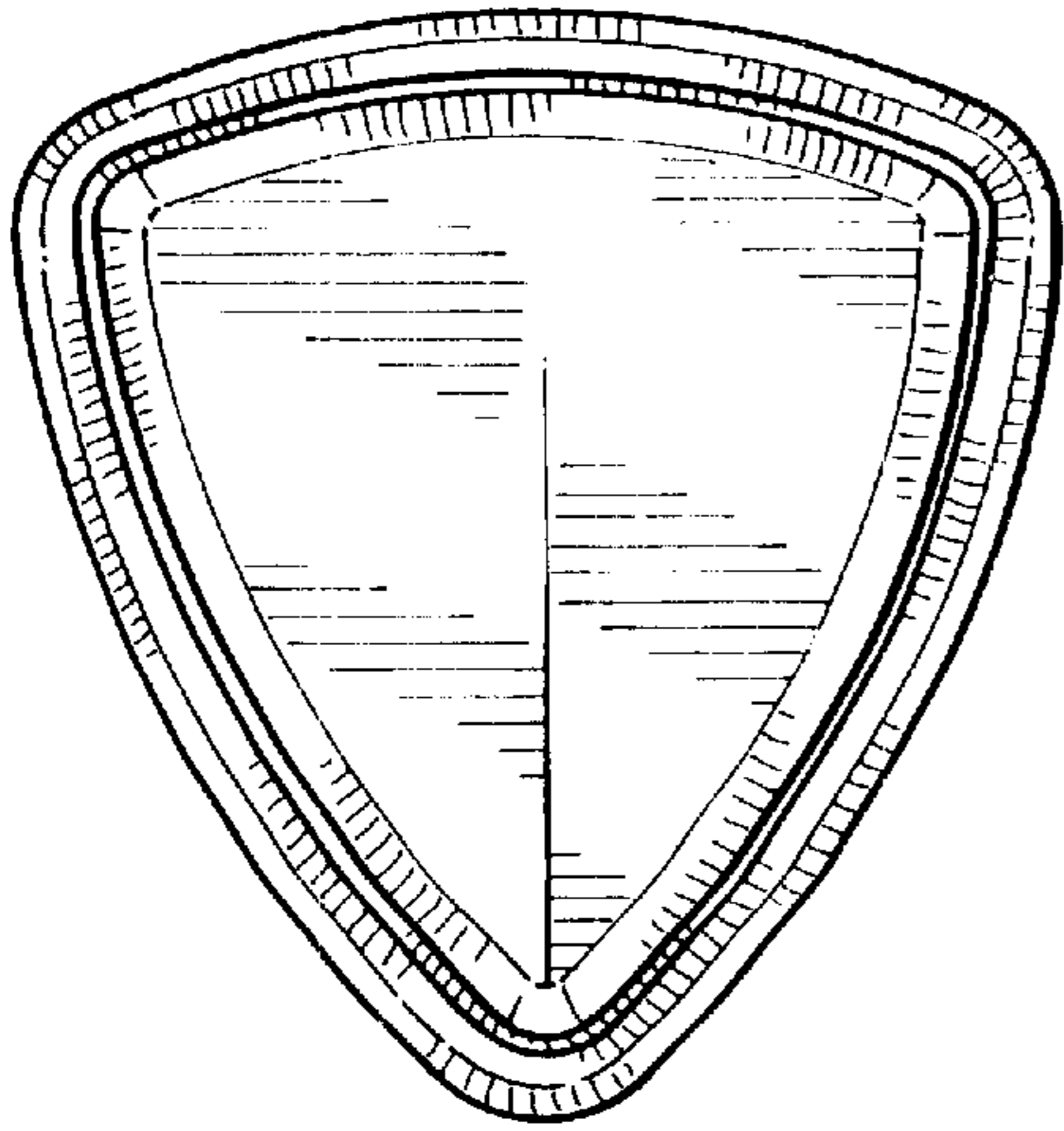


FIG. 4

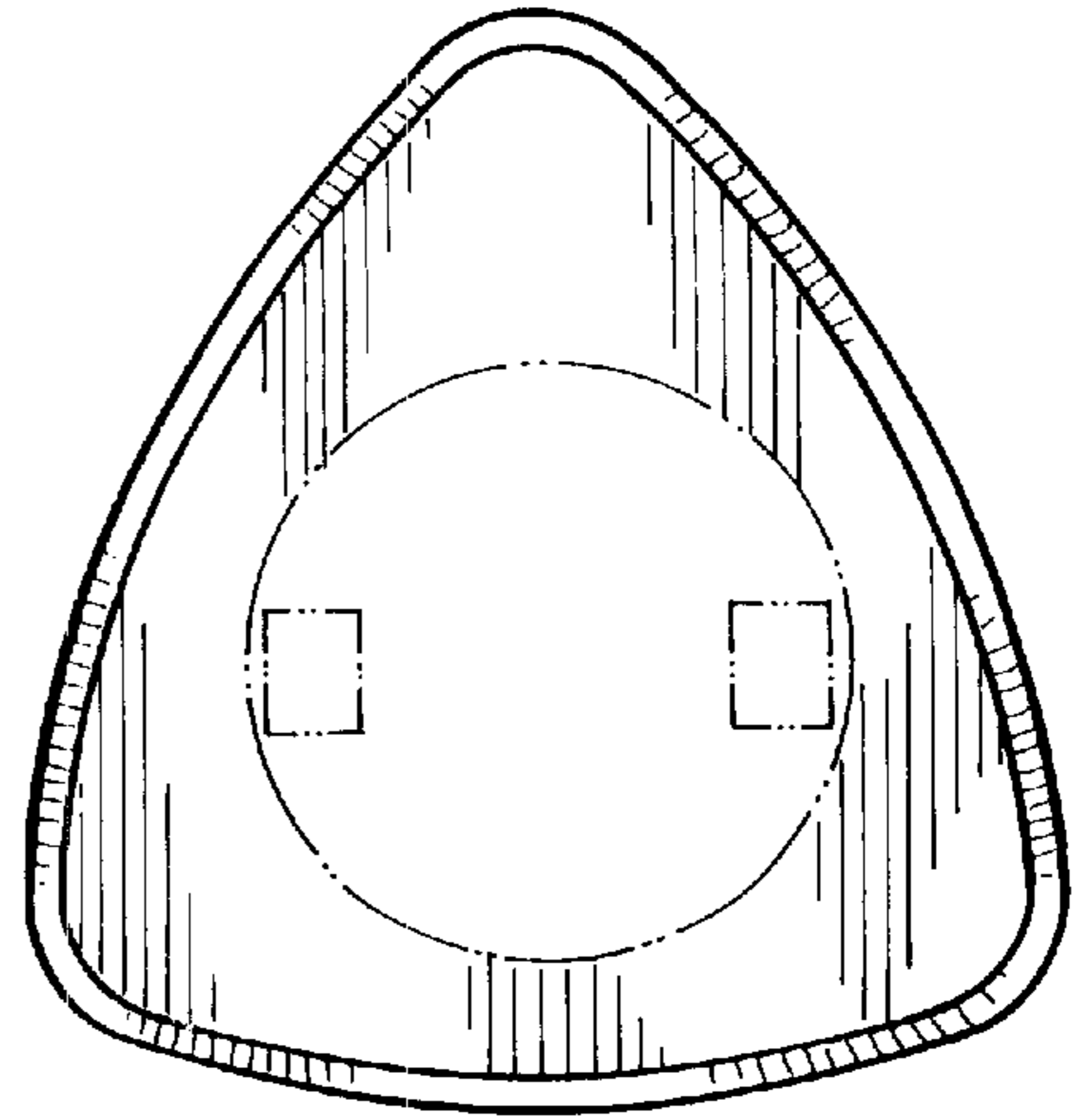


FIG. 5

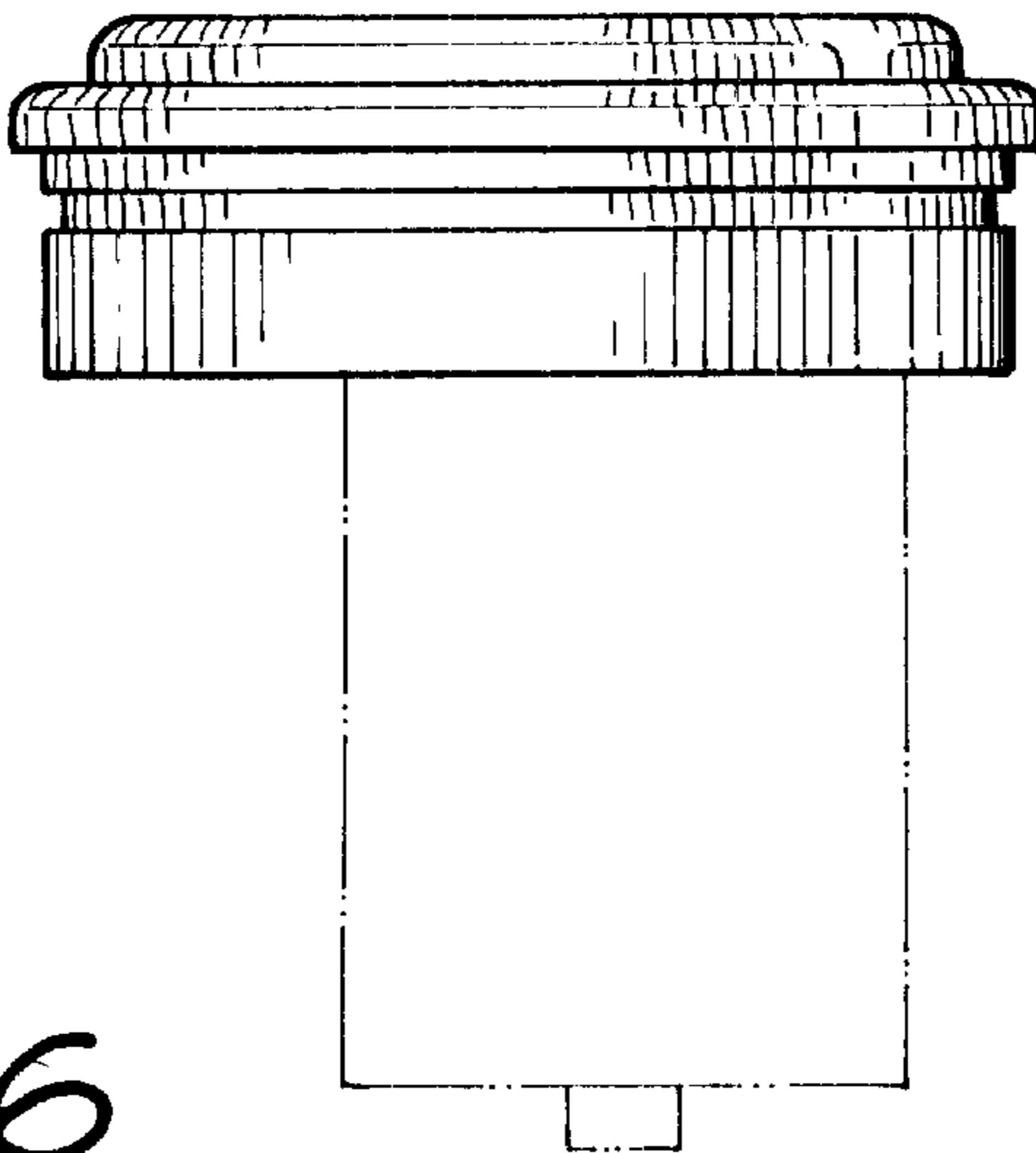


FIG. 6