



US00D463825S

(12) **United States Design Patent**  
**Carlson et al.**

(10) **Patent No.:** **US D463,825 S**

(45) **Date of Patent:** **\*\* \*Oct. 1, 2002**

(54) **TAPE DISPENSER**

(75) Inventors: **Bruce W. Carlson**, Minneapolis, MN (US); **Gerald E. Mueller**, Eagan, MN (US); **Steven E. Turch**, Blaine, MN (US); **John M. Pilgrim**, Oakdale, MN (US)

(73) Assignee: **3M Innovative Properties Company**, St. Paul, MN (US)

(\* ) Notice: This patent is subject to a terminal disclaimer.

(\*\*) Term: **14 Years**

(21) Appl. No.: **29/123,659**

(22) Filed: **May 22, 2000**

(51) **LOC (7) Cl.** ..... **19-02**

(52) **U.S. Cl.** ..... **D19/69; D19/67**

(58) **Field of Search** ..... D19/65, 67, 68, D19/69, 72, 89, 95, 99, 100; 156/523, 527, 327, 577; 225/6, 7, 12, 19, 22, 25, 34, 35, 45, 56, 57, 74, 77, 89, 11; 242/588, 588.1, 588.6, 590

(56) **References Cited**

**U.S. PATENT DOCUMENTS**

2,777,594 A	*	1/1957	Krueger	.....	156/527
D197,157 S	*	12/1963	Casey	.....	D19/67
3,149,764 A	*	9/1964	Waltz	.....	225/57
D203,410 S	*	1/1966	Quenot	.....	D19/69
D227,810 S	*	7/1973	Boyce	.....	D19/69
D239,620 S	*	4/1976	Fritzinger	.....	D19/69

3,972,769 A	8/1976	Lissoni
5,164,038 A	11/1992	Sundqvist
D333,678 S	3/1993	Lissoni
5,288,362 A	2/1994	Shuh-Chin
5,381,942 A	1/1995	Lin
5,759,342 A	6/1998	Luhman et al.
5,792,310 A	8/1998	Thompson et al.

\* cited by examiner

*Primary Examiner*—Martie K. Holtje

(74) *Attorney, Agent, or Firm*—Carolyn V. Peters

(57) **CLAIM**

The ornamental design for a tape dispenser, as shown and described.

**DESCRIPTION**

FIG. 1 is a perspective view of the tape dispenser according to the present invention;

FIG. 2 is the left side view of the tape dispenser illustrated in FIG. 1;

FIG. 3 is the right side view of the tape dispenser illustrated in FIG. 1;

FIG. 4 is the top view of the tape dispenser illustrated in FIG. 1;

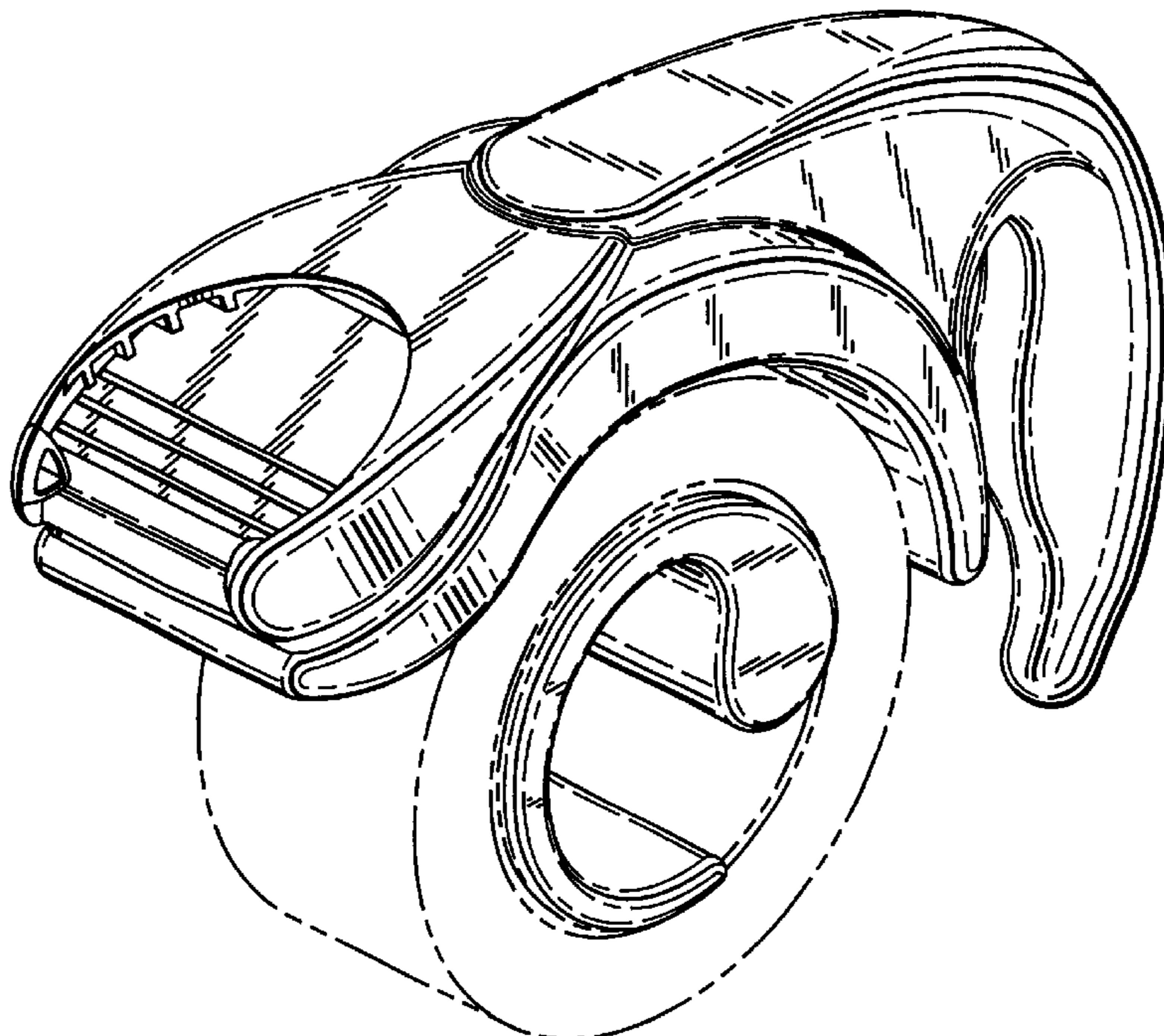
FIG. 5 is the bottom view of the tape dispenser illustrated in FIG. 1;

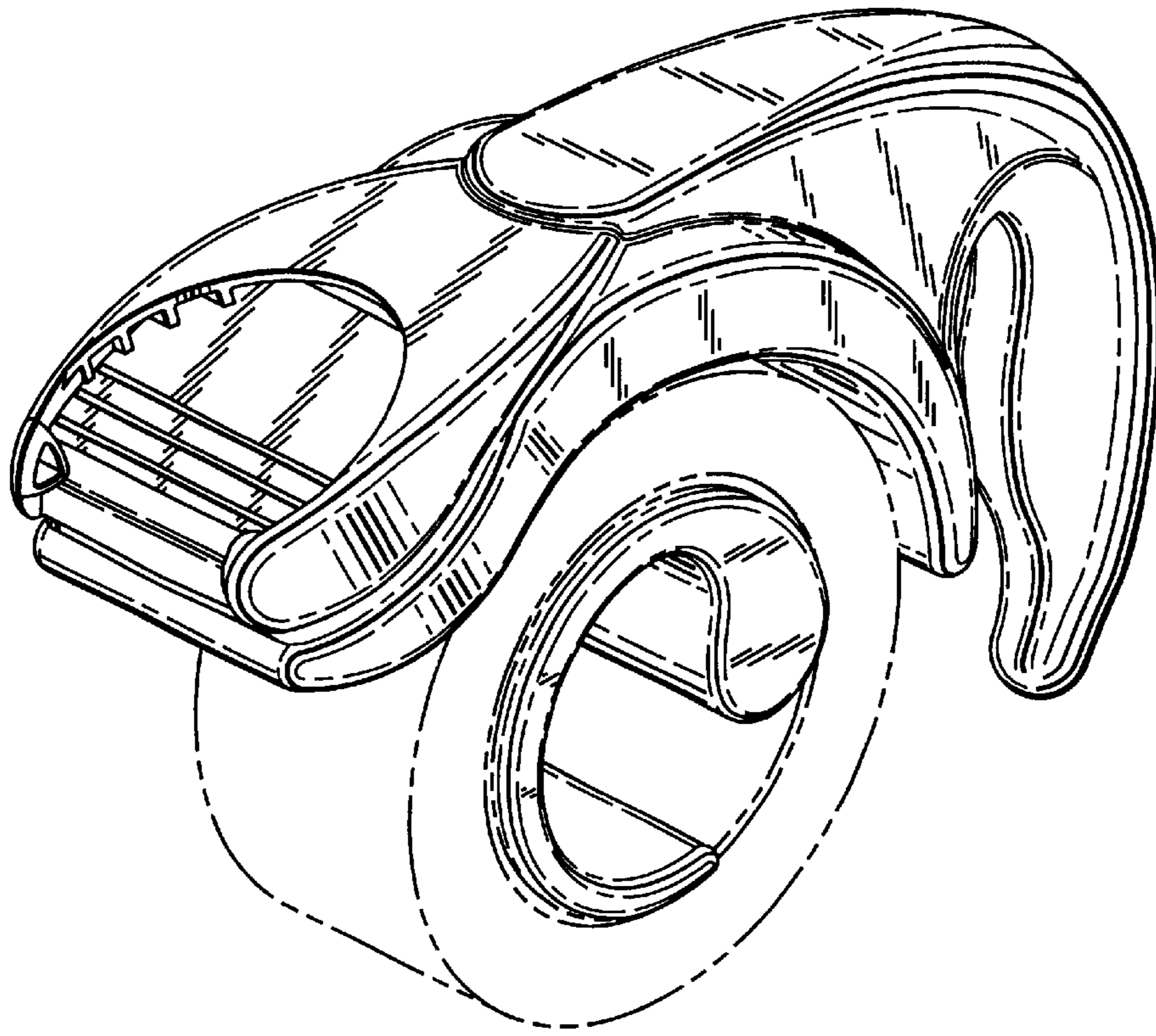
FIG. 6 is the front view of the tape dispenser illustrated in FIG. 1; and,

FIG. 7 is the rear view of the tape dispenser illustrated in FIG. 1.

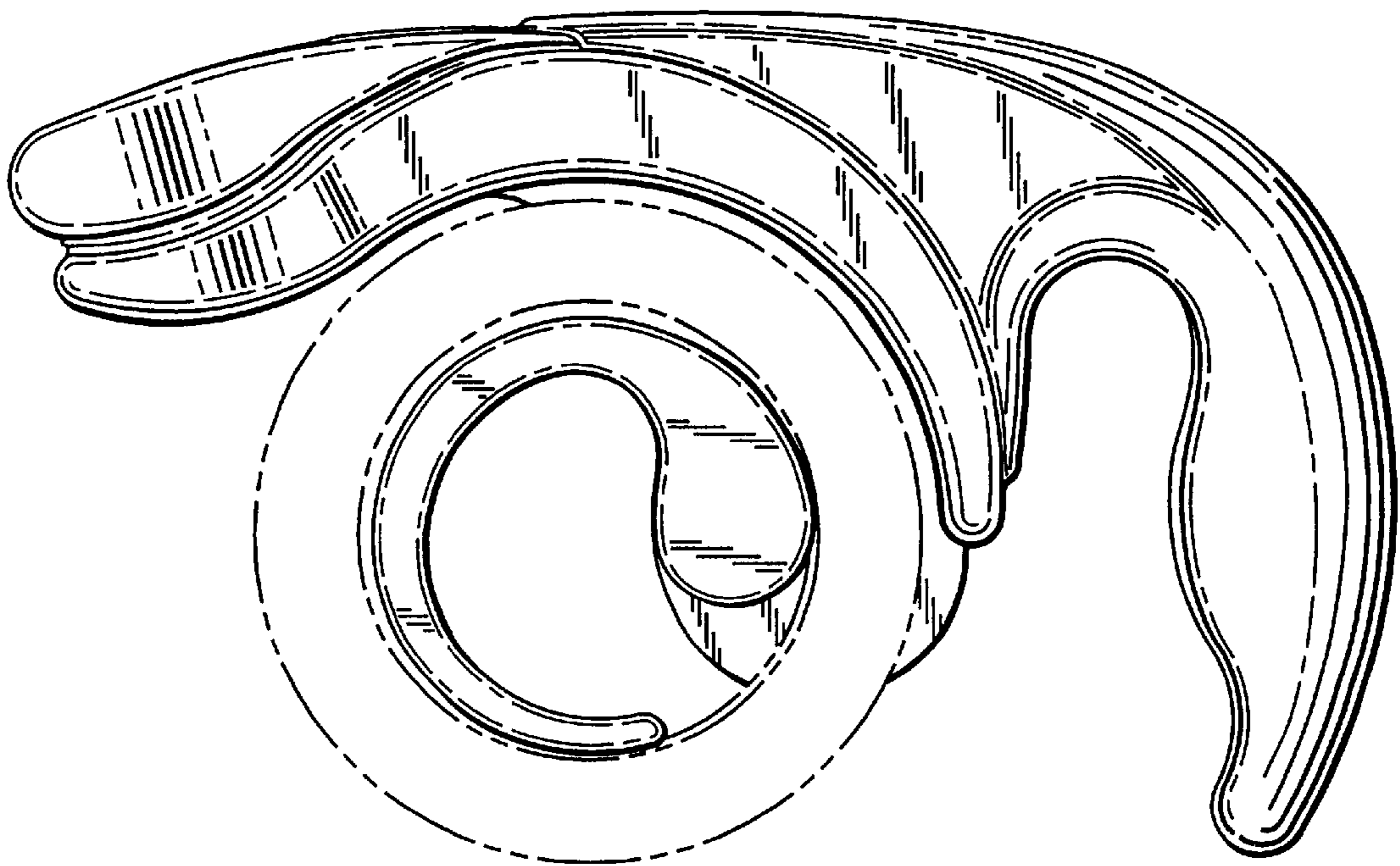
The tape roll depicted by means of broken lines in FIGS. 1 through 3 and 5 through 7 has been shown for illustrative purposes only and forms no part of the claimed design.

**1 Claim, 3 Drawing Sheets**

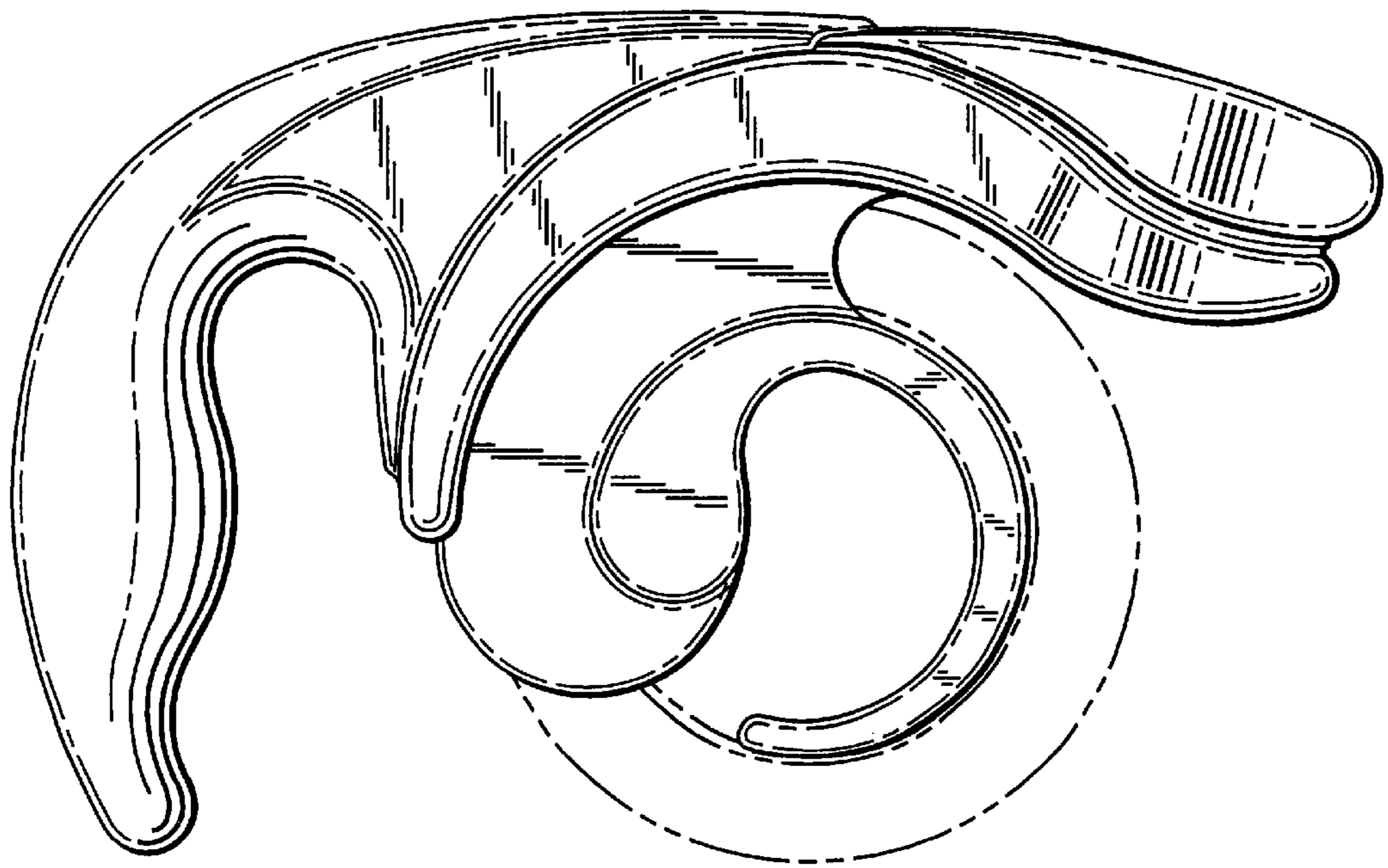




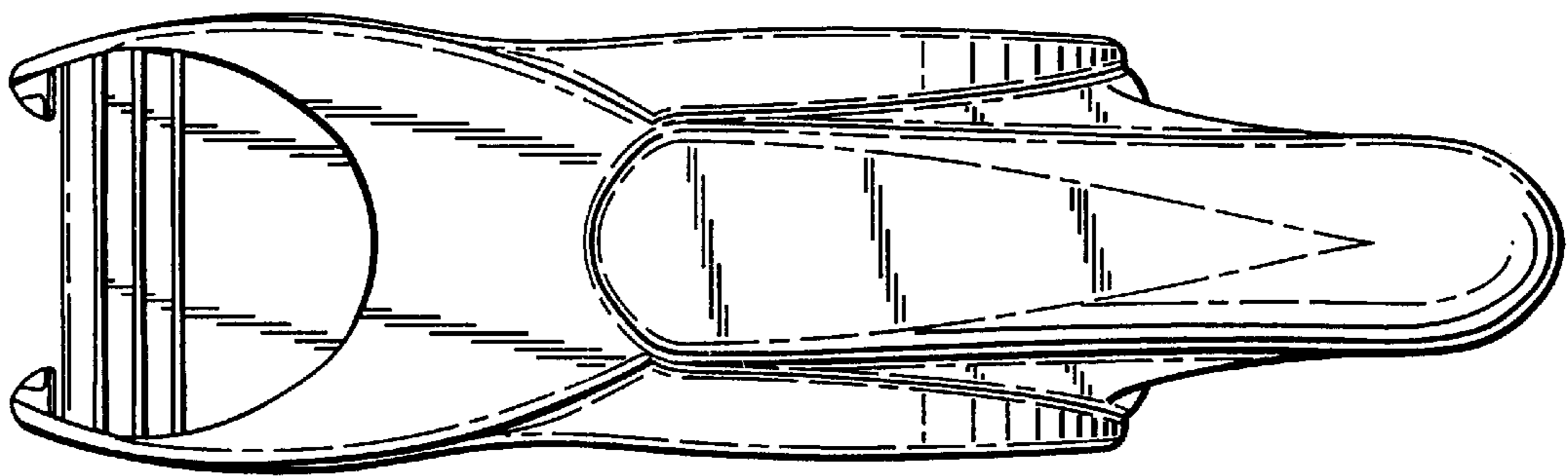
*Fig. 1*



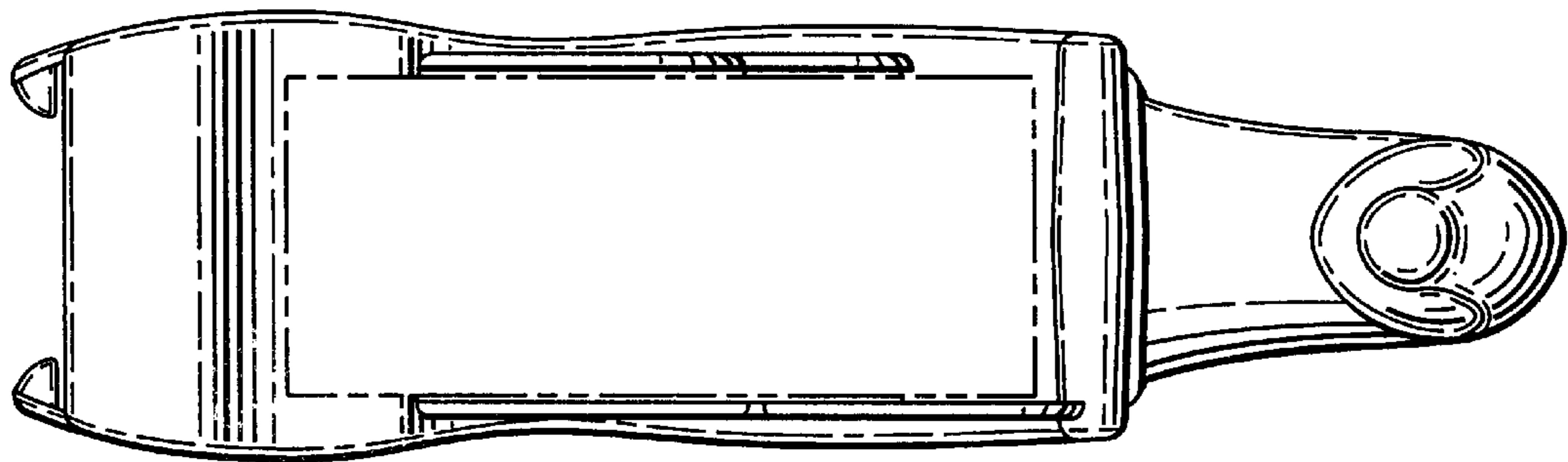
*Fig. 2*



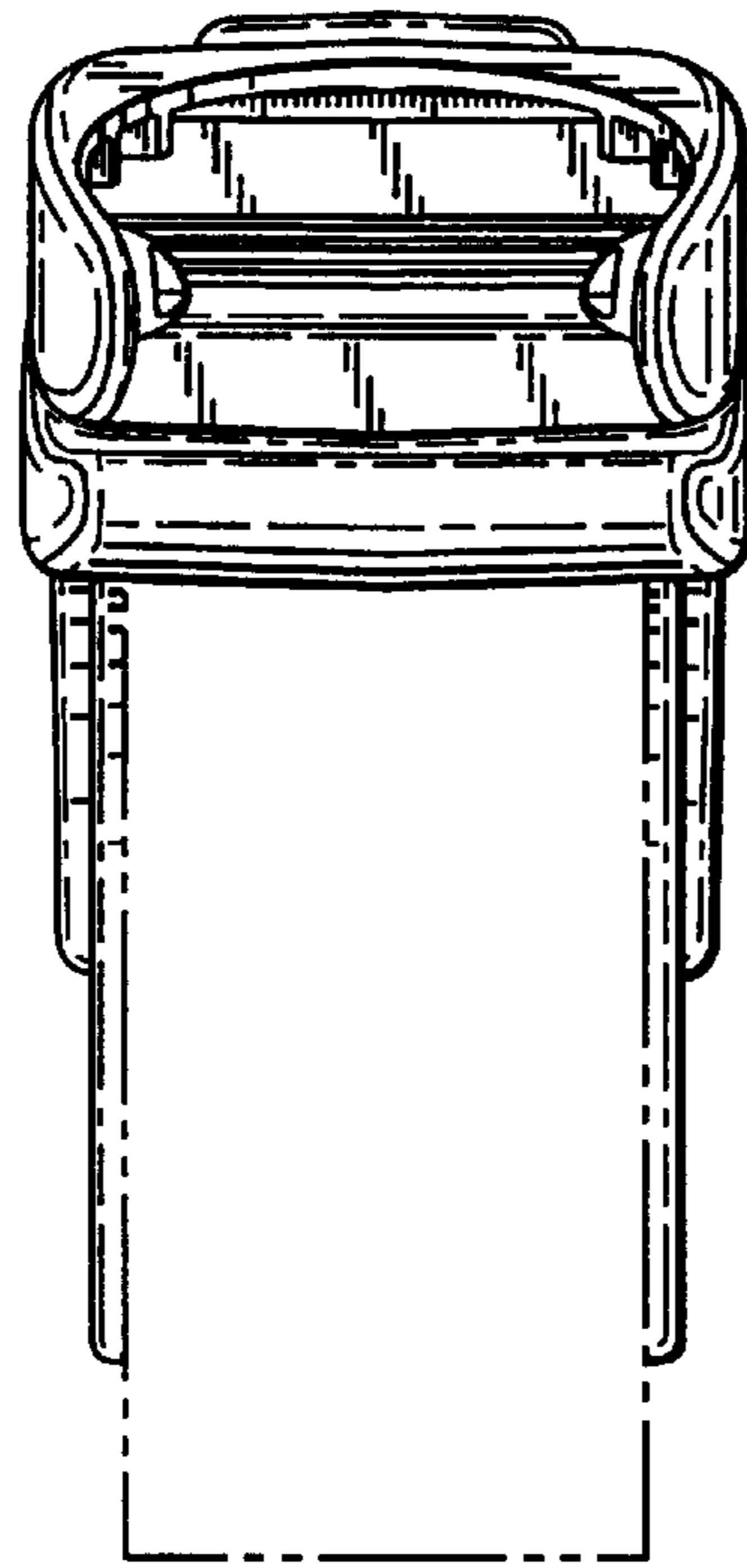
*Fig. 3*



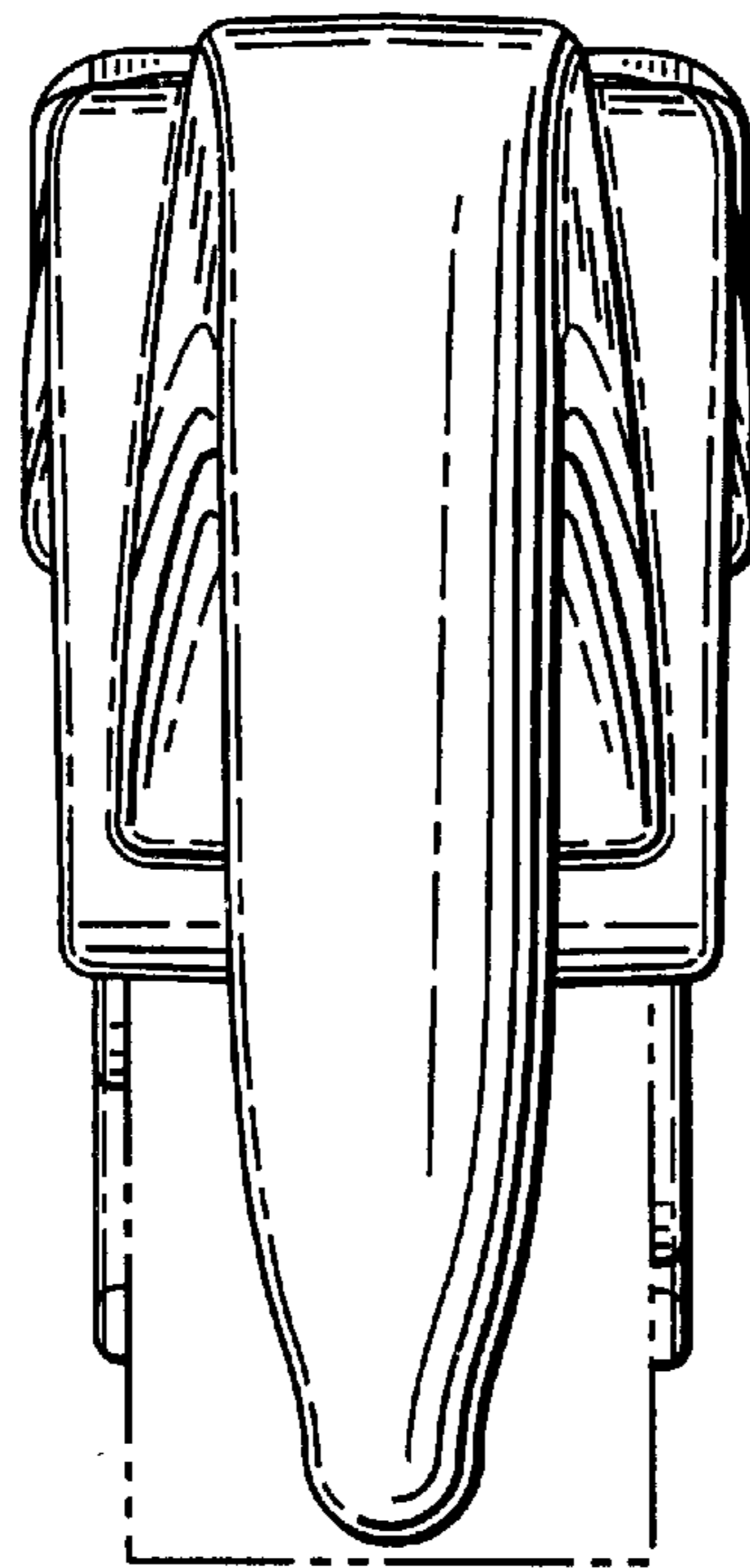
*Fig. 4*



*Fig. 5*



*Fig. 6*



*Fig. 7*

UNITED STATES PATENT AND TRADEMARK OFFICE  
**CERTIFICATE OF CORRECTION**

PATENT NO. : Des. 463,825 S  
DATED : October 1, 2002  
INVENTOR(S) : Carlson, Bruce W.

Page 1 of 1

It is certified that error appears in the above-identified patent and that said Letters Patent is hereby corrected as shown below:

Title page,

Item [54], delete "TAPE DISPENSER" and insert -- **PISTOL GRIP TAPE DISPENSER** --

Signed and Sealed this

Second Day of December, 2003

A handwritten signature in black ink, appearing to read "James E. Rogan", with a horizontal line drawn underneath it.

JAMES E. ROGAN  
*Director of the United States Patent and Trademark Office*