



US00D463824S

(12) **United States Design Patent**  
**Kan**

(10) **Patent No.:** **US D463,824 S**

(45) **Date of Patent:** **\*\* Oct. 1, 2002**

(54) **ADJUSTABLE CLIP WITH MIRROR**

**DESCRIPTION**

(75) Inventor: **Elvin Man Kit Kan**, Wan Chai (HK)

(73) Assignee: **Benison Industrial Co., Ltd.**, Wan Chai (HK)

(\*\*) Term: **14 Years**

(21) Appl. No.: **29/144,414**

(22) Filed: **Jul. 3, 2001**

(51) **LOC (7) Cl.** ..... **19-02**

(52) **U.S. Cl.** ..... **D19/65; D19/90; D6/309; D6/311**

(58) **Field of Search** ..... **D6/300-314; D8/395, D8/394; D19/65, 75, 36, 46, 86, 90, 91, 99, 100; 24/67 R, 67.1-67.11, 545-546, 455, 547, 563; 211/89.01, 45; 116/234-240**

(56) **References Cited**

**U.S. PATENT DOCUMENTS**

718,291	A	*	1/1903	Swan	.....	116/236
793,826	A	*	7/1905	Damico	.....	116/237 X
D49,616	S	*	9/1916	McKee	.....	D19/99
1,462,193	A	*	7/1923	Cook	.....	24/563 X
D231,269	S	*	4/1974	Leopoldi	.....	D19/90
D284,483	S	*	7/1986	Yang	.....	D19/91
D311,212	S	*	10/1990	Tsuji	.....	D19/65
D335,580	S	*	5/1993	Gaullier	.....	D6/309
D378,159	S	*	2/1997	Mulkey	.....	D2/896
D429,498	S	*	8/2000	Mershon	.....	D19/34
D429,762	S	*	8/2000	Mershon	.....	D19/34

\* cited by examiner

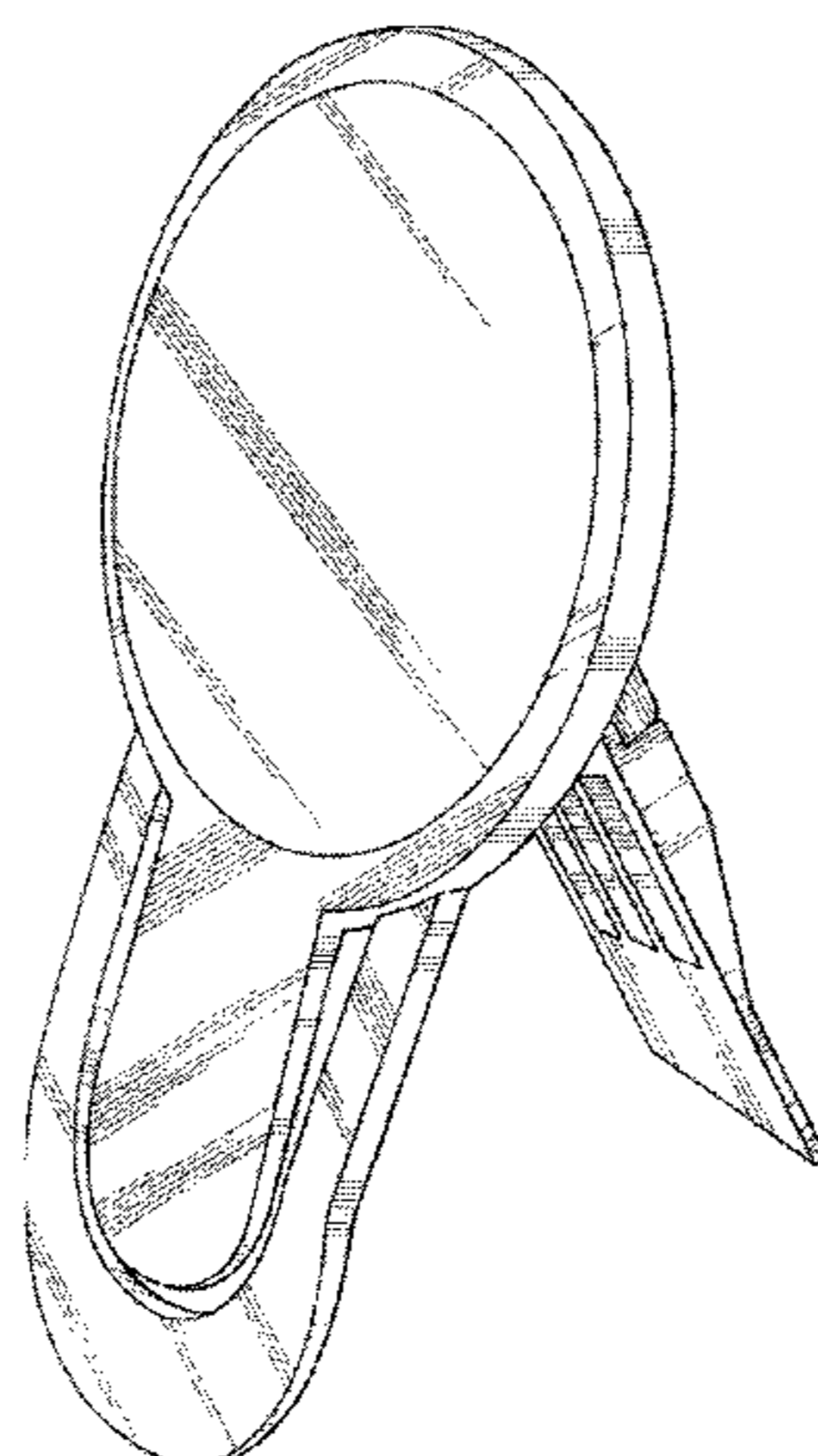
*Primary Examiner*—Martie K. Holtje  
(74) *Attorney, Agent, or Firm*—Rabin & Berdo, P.C.

(57) **CLAIM**

The ornamental design for an adjustable clip with mirror, as shown and described.

FIG. 1 is a front view of an adjustable clip with mirror showing my new design;  
 FIG. 2 is a rear view thereof;  
 FIG. 3 is a left side view thereof;  
 FIG. 4 is a right side view thereof;  
 FIG. 5 is a top view thereof;  
 FIG. 6 is a bottom view thereof;  
 FIG. 7 is a front perspective view showing hinged joint structure at 35° thereof;  
 FIG. 8 is a front view showing hinged joint structure at 90° thereof;  
 FIG. 9 is a rear view showing hinged joint structure at 90° thereof;  
 FIG. 10 is a left side view showing hinged joint structure at 90° thereof;  
 FIG. 11 is a right side view showing hinged joint structure at 90° thereof;  
 FIG. 12 is a top view showing hinged joint structure at 90° thereof;  
 FIG. 13 is a bottom view showing hinged joint structure at 90° thereof;  
 FIG. 14 is a front view showing hinged joint structure at 180° thereof;  
 FIG. 15 is a rear view showing hinged joint structure at 180° thereof;  
 FIG. 16 is a left side view showing hinged joint structure at 180° thereof;  
 FIG. 17 is a right side view showing hinged joint structure at 180° thereof;  
 FIG. 18 is a bottom view showing hinged joint structure at 180° thereof;  
 FIG. 19 is a top view showing hinged joint structure at 180° thereof; and,  
 FIG. 20 is a rear view showing hinged joint structure at laterally right side thereof.

**1 Claim, 20 Drawing Sheets**



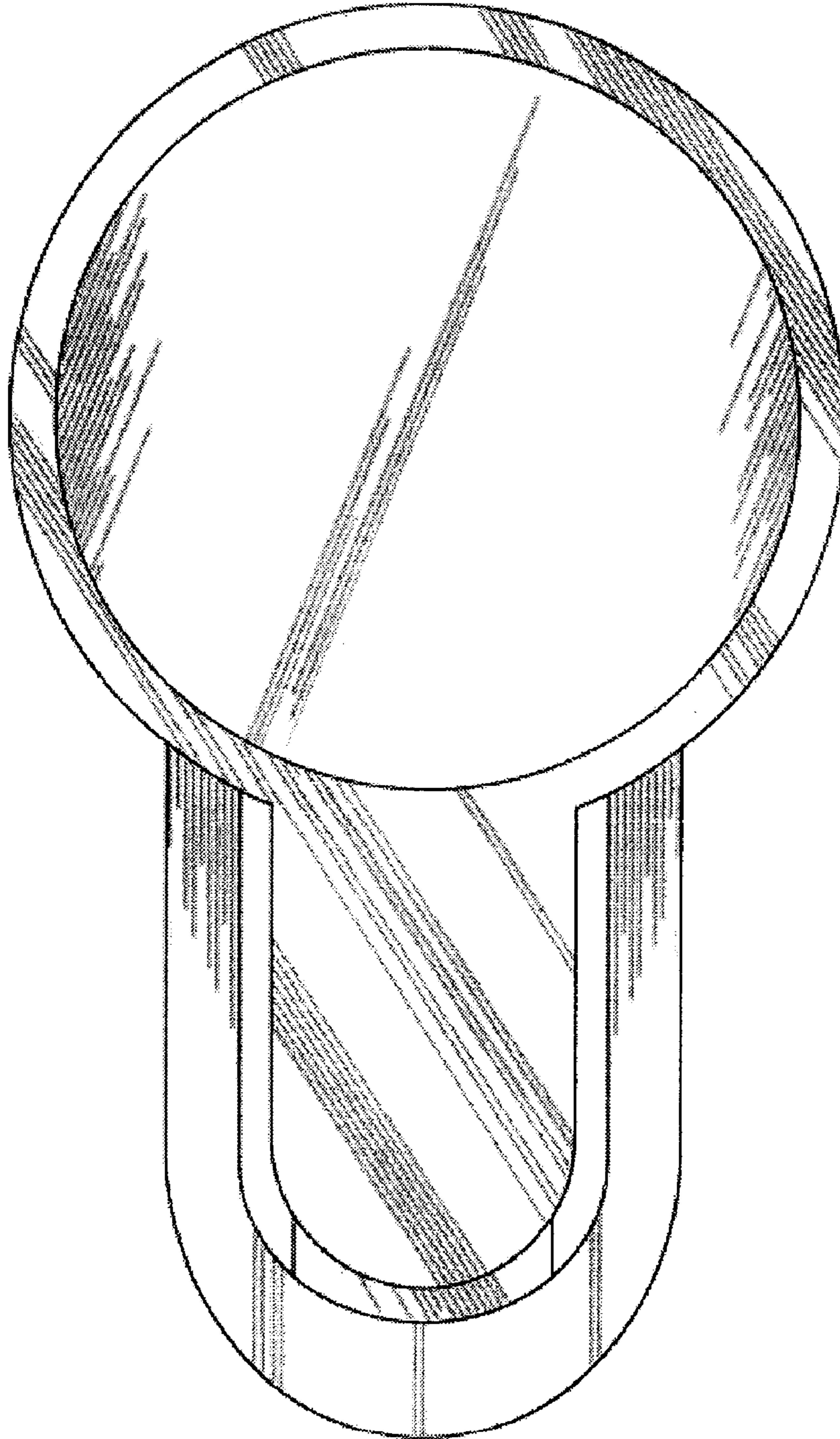


FIG.1

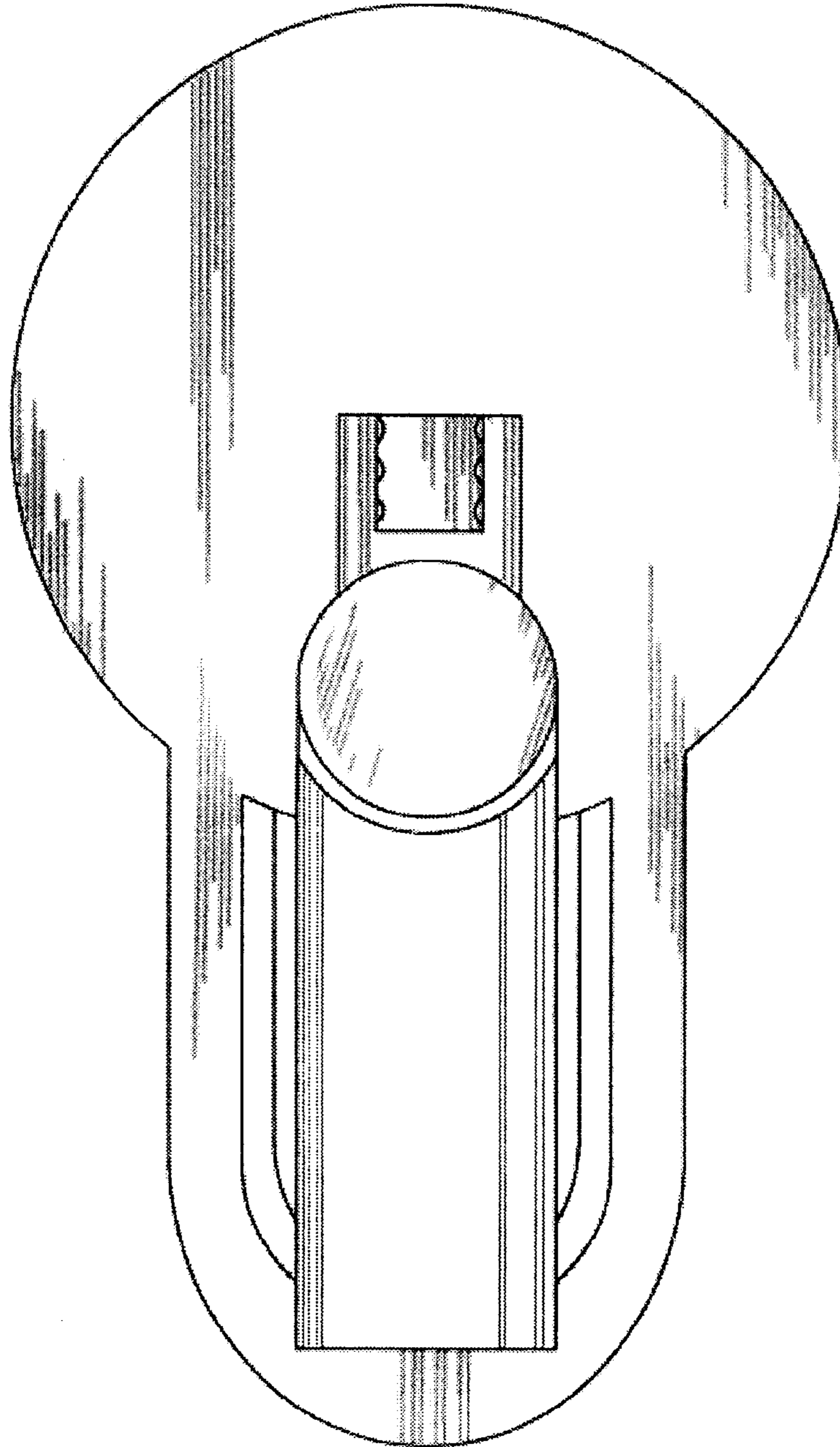


FIG.2

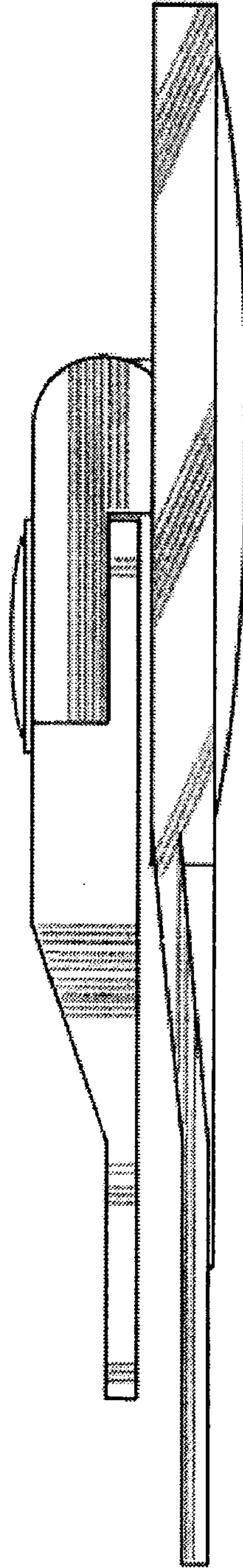


FIG.3

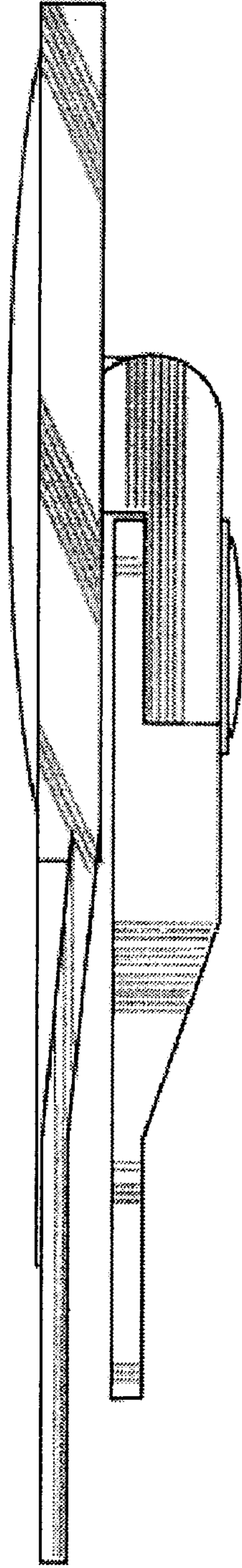


FIG.4

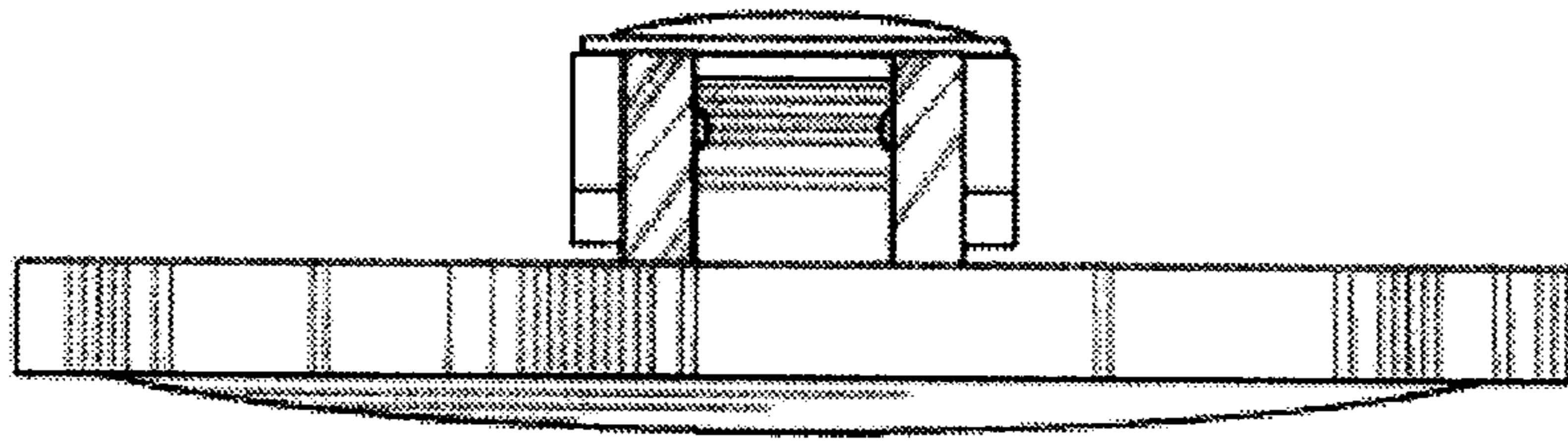


FIG.5

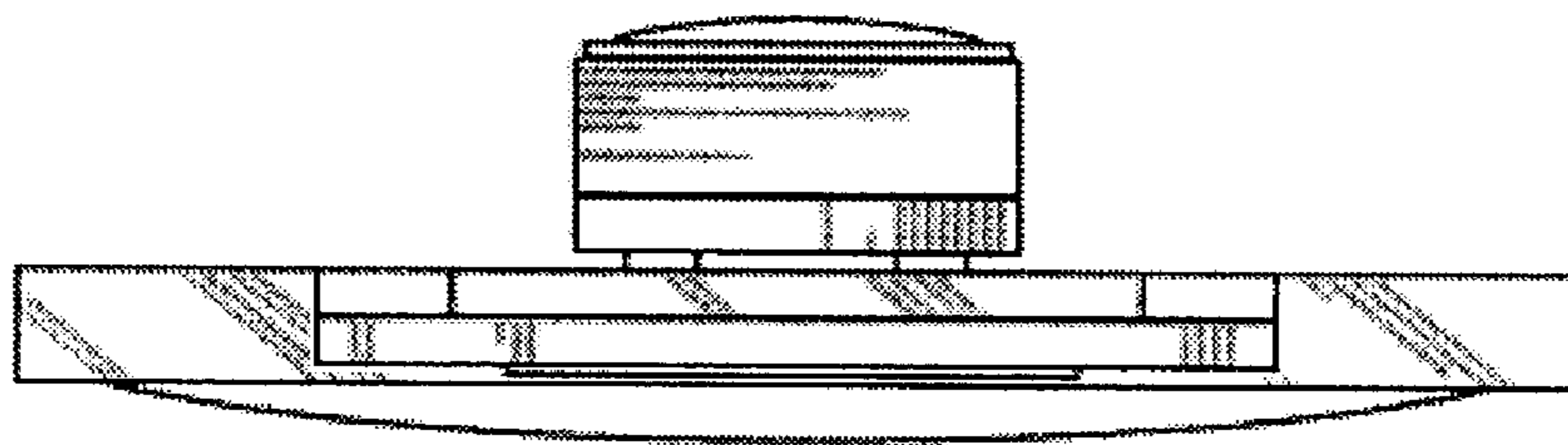


FIG.6

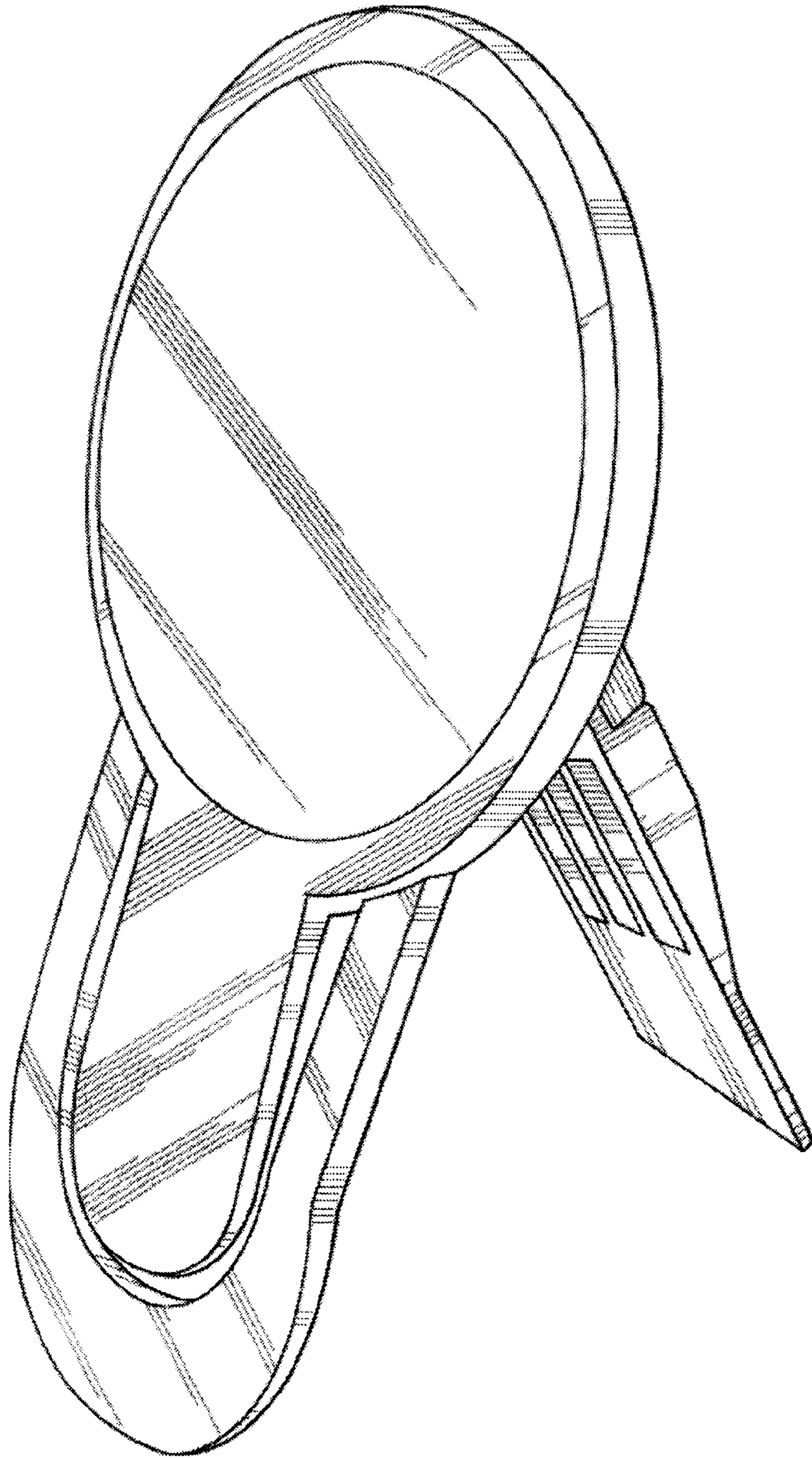


FIG.7



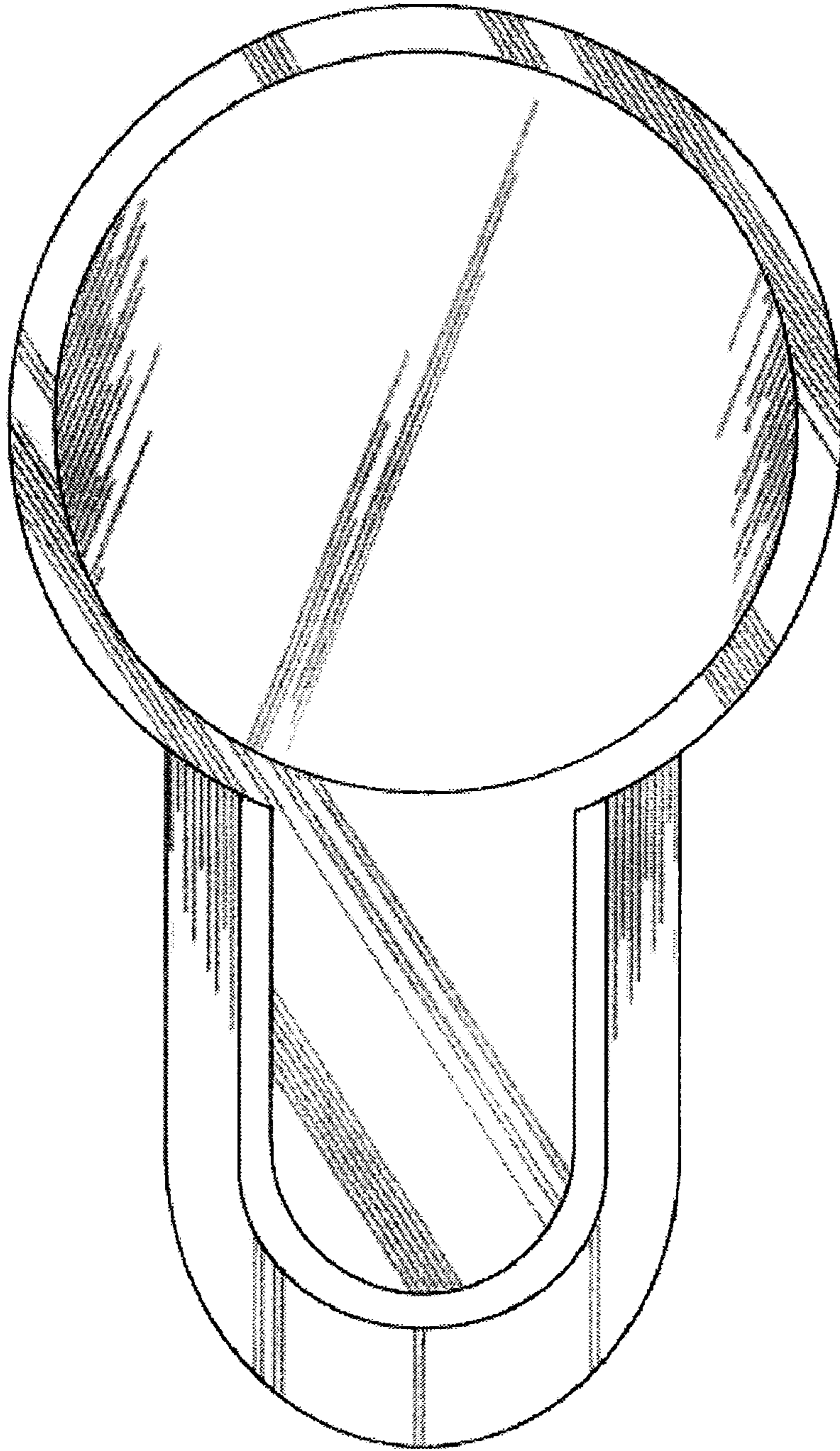


FIG.8

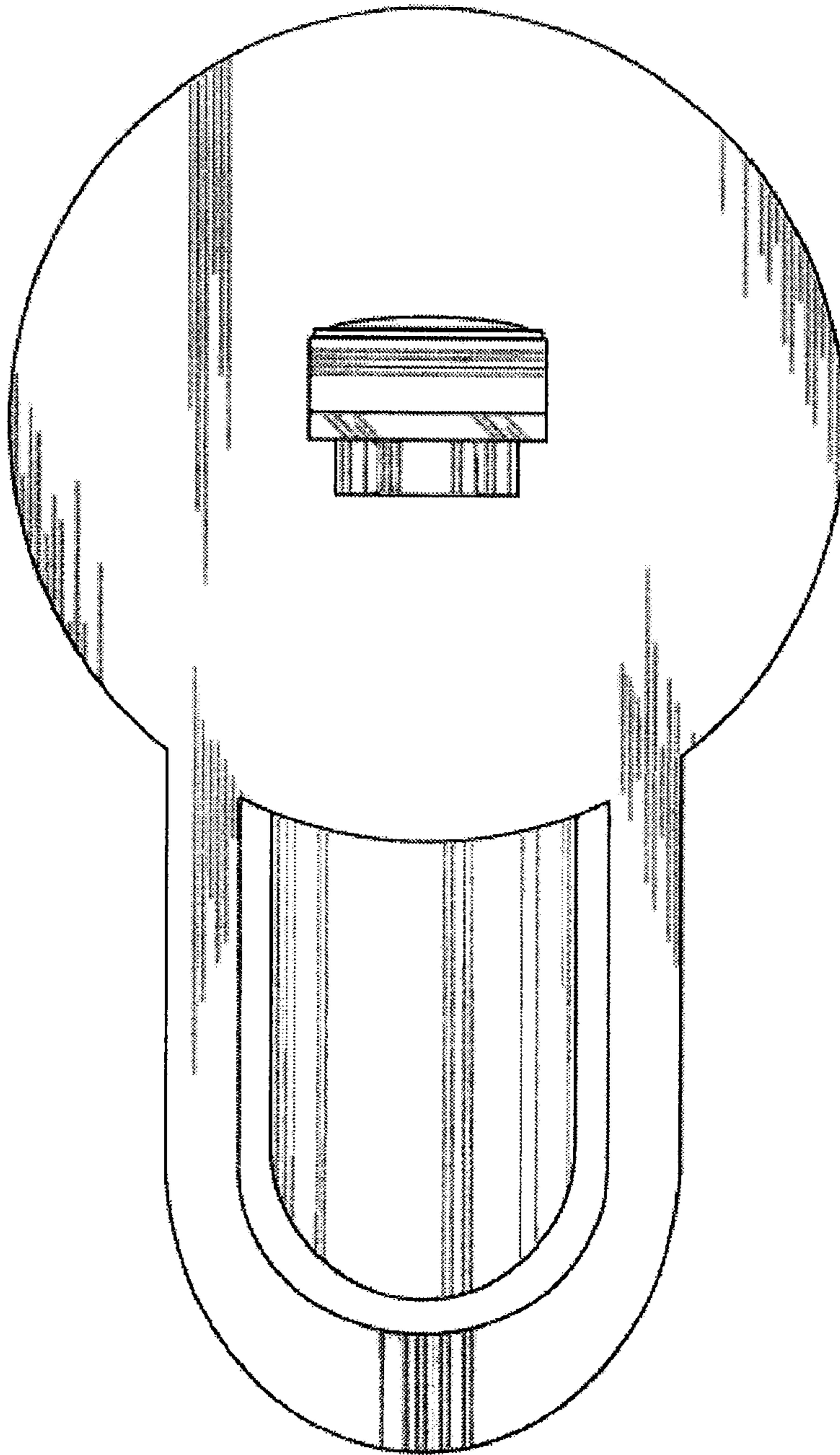


FIG.9

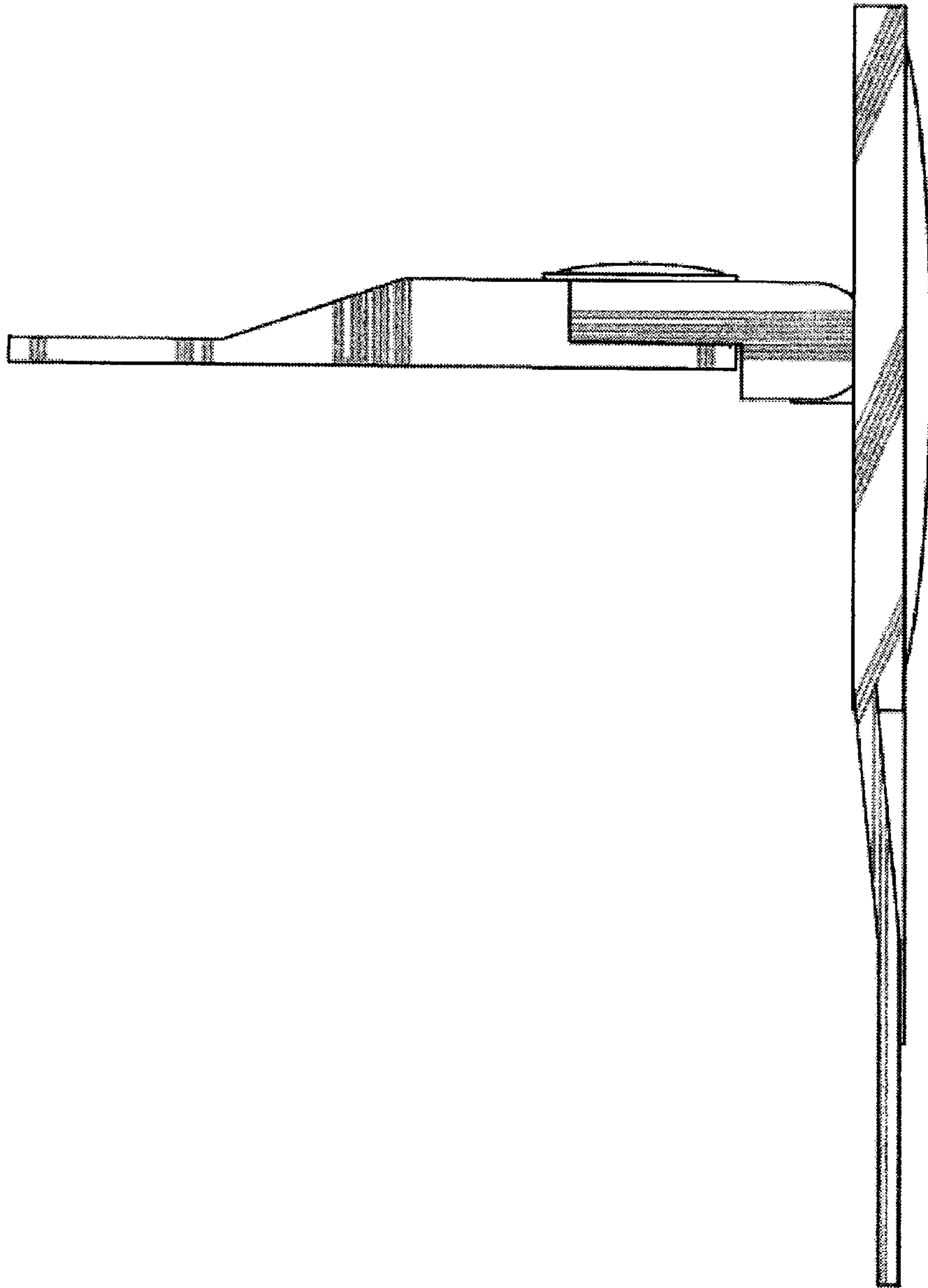


FIG.10

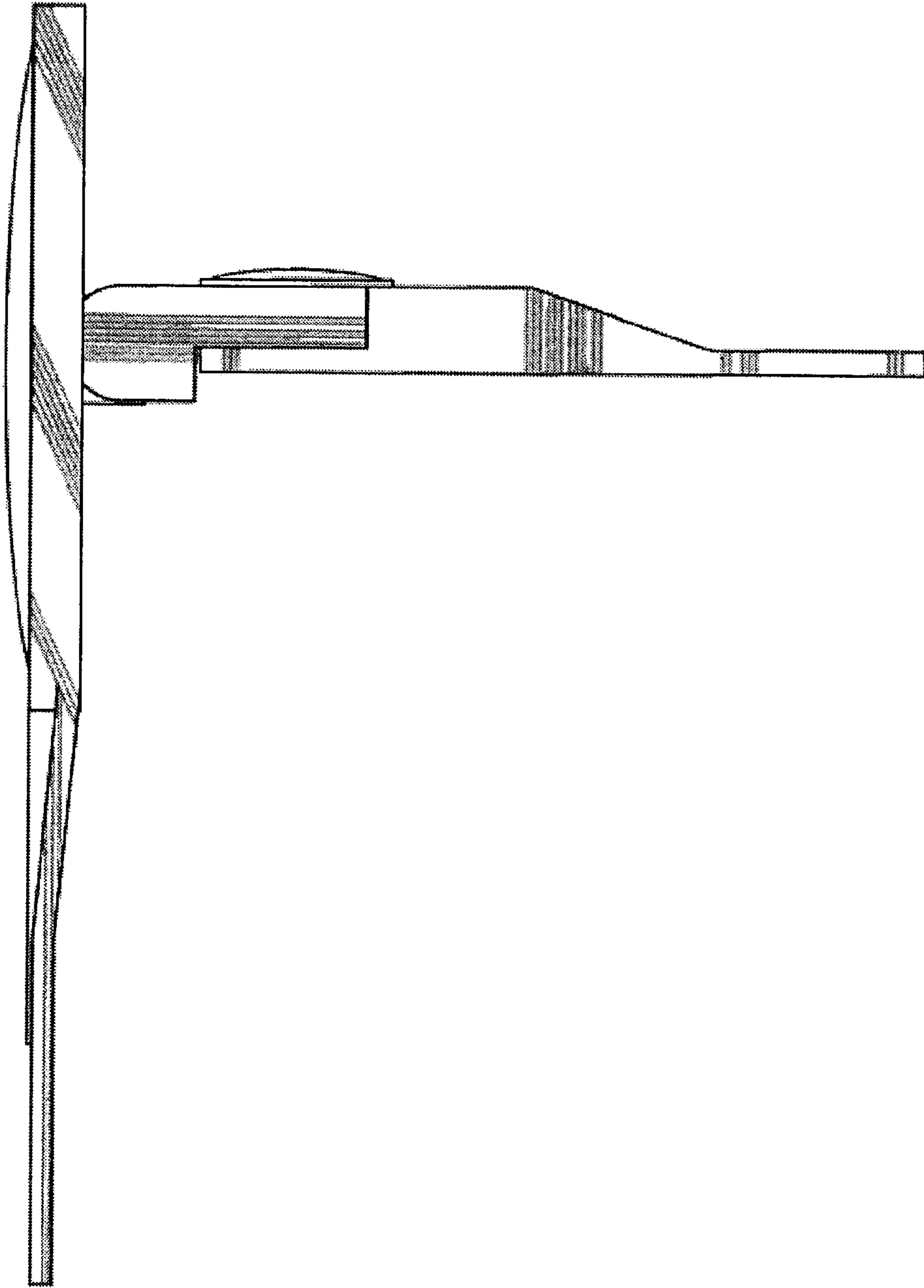


FIG.11

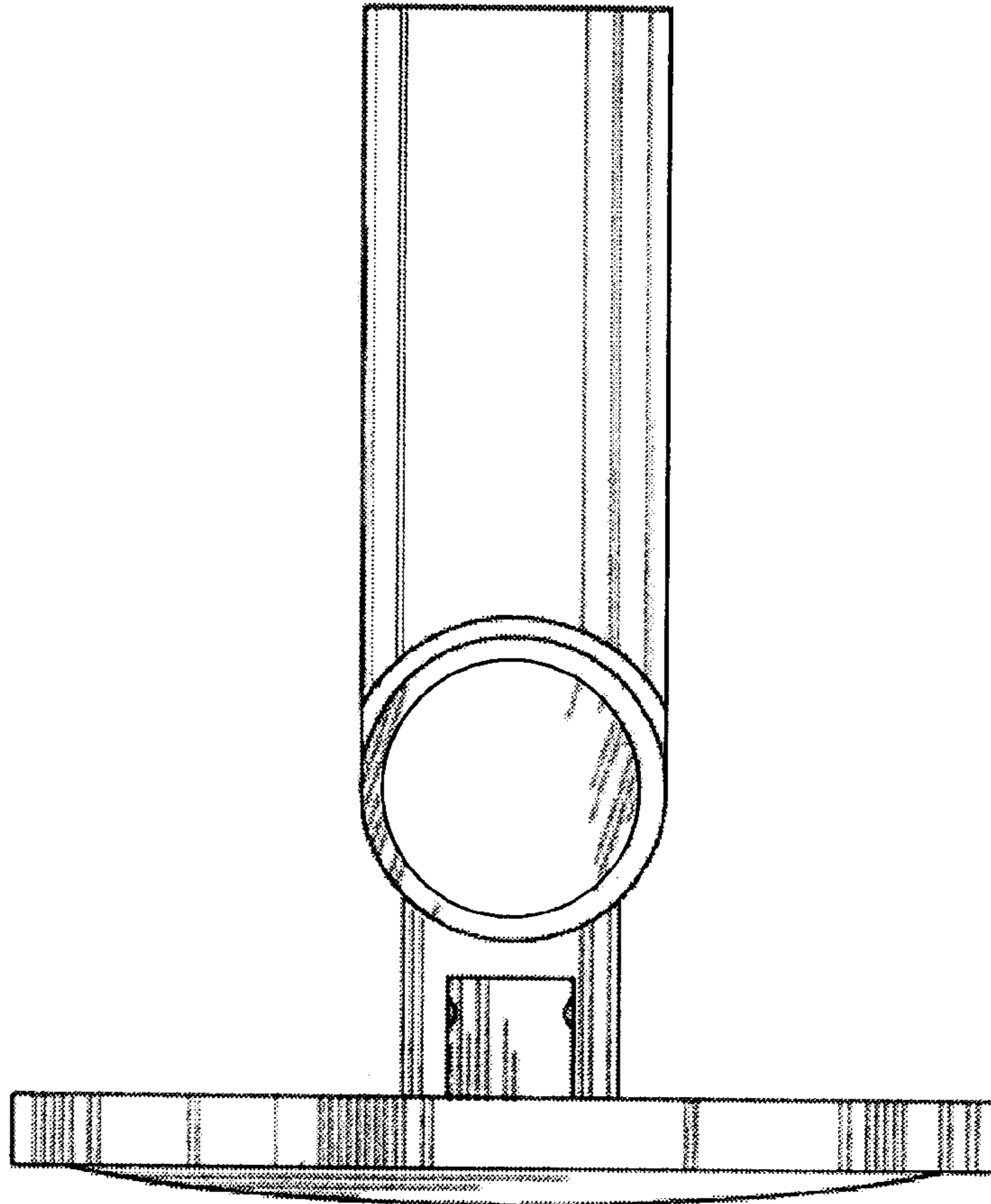


FIG. 12

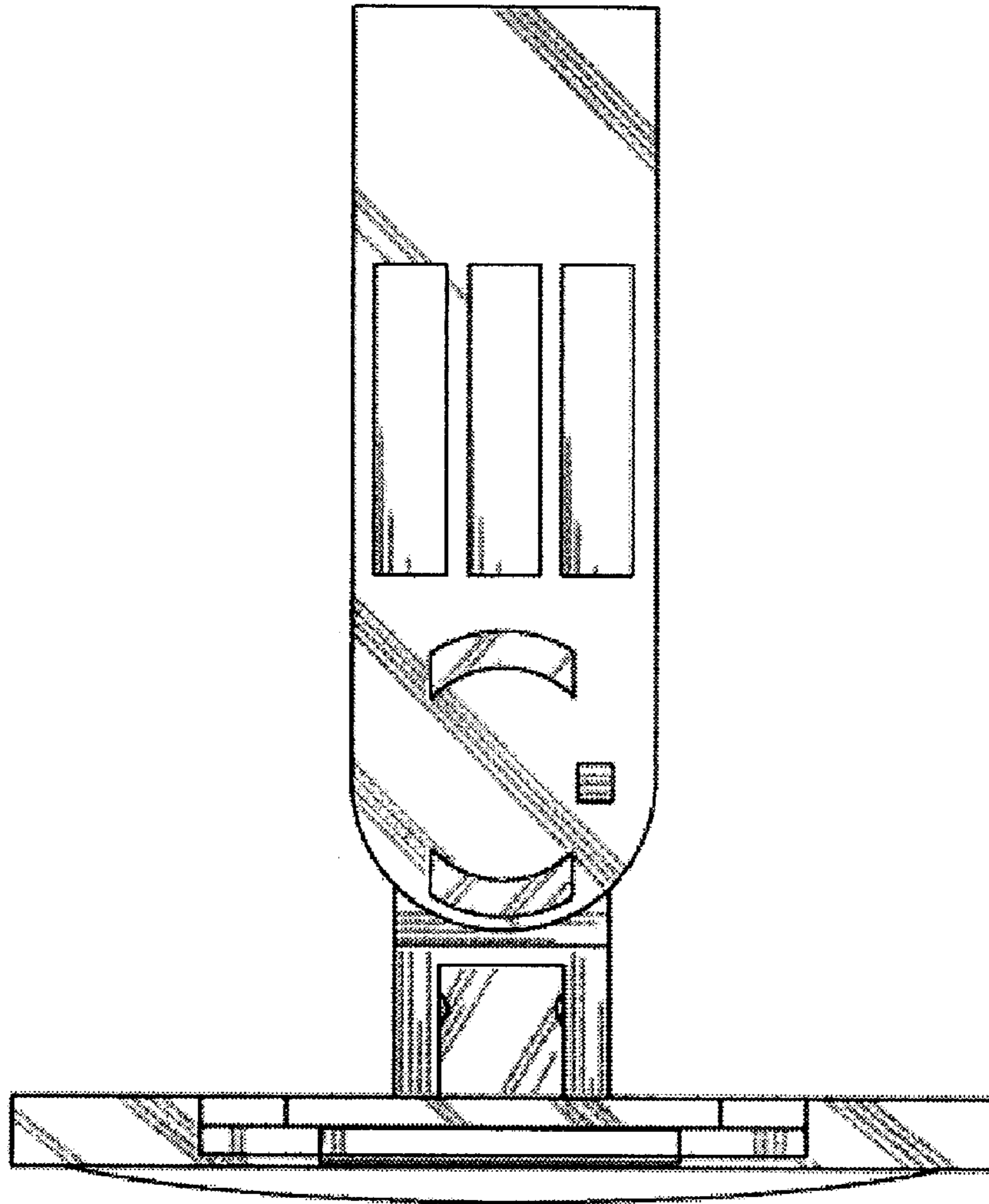


FIG.13

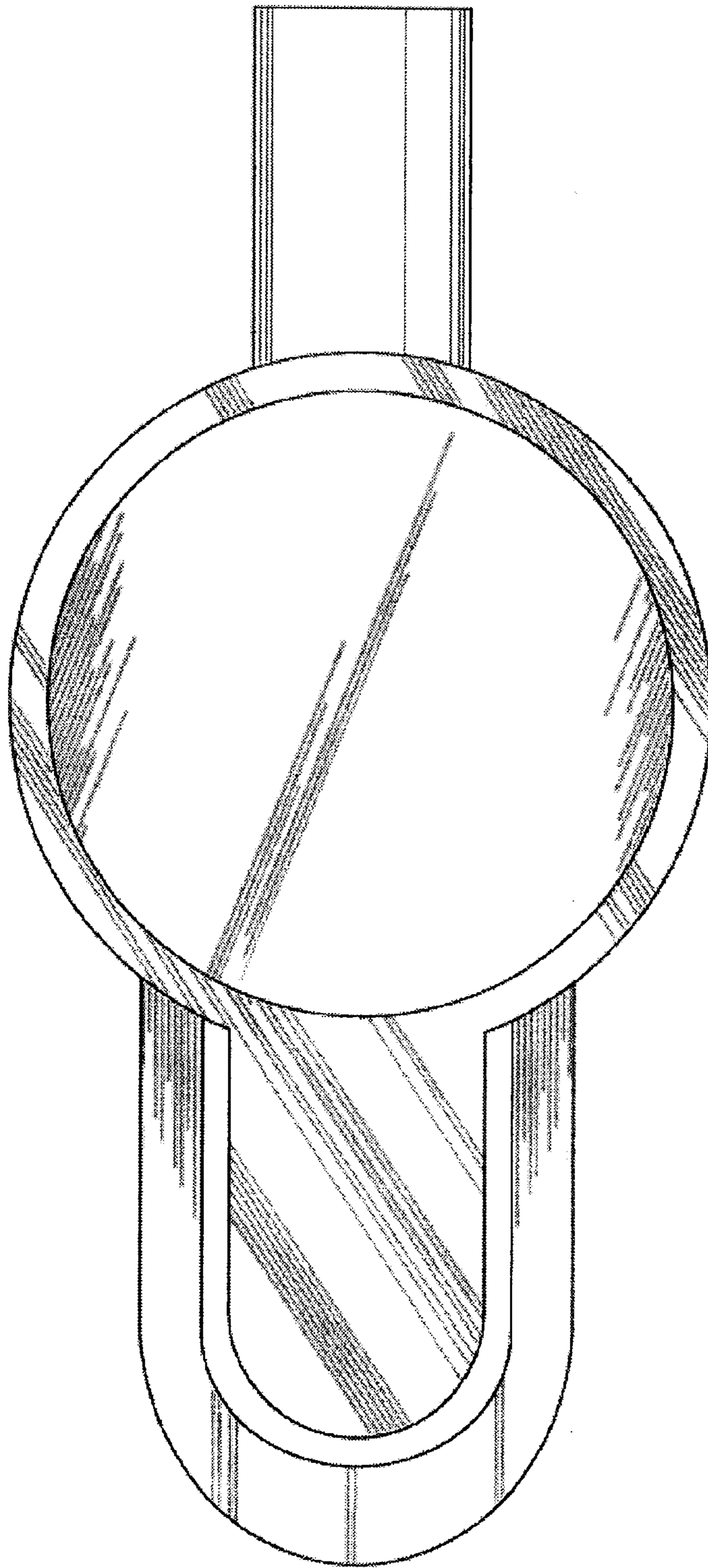


FIG.14

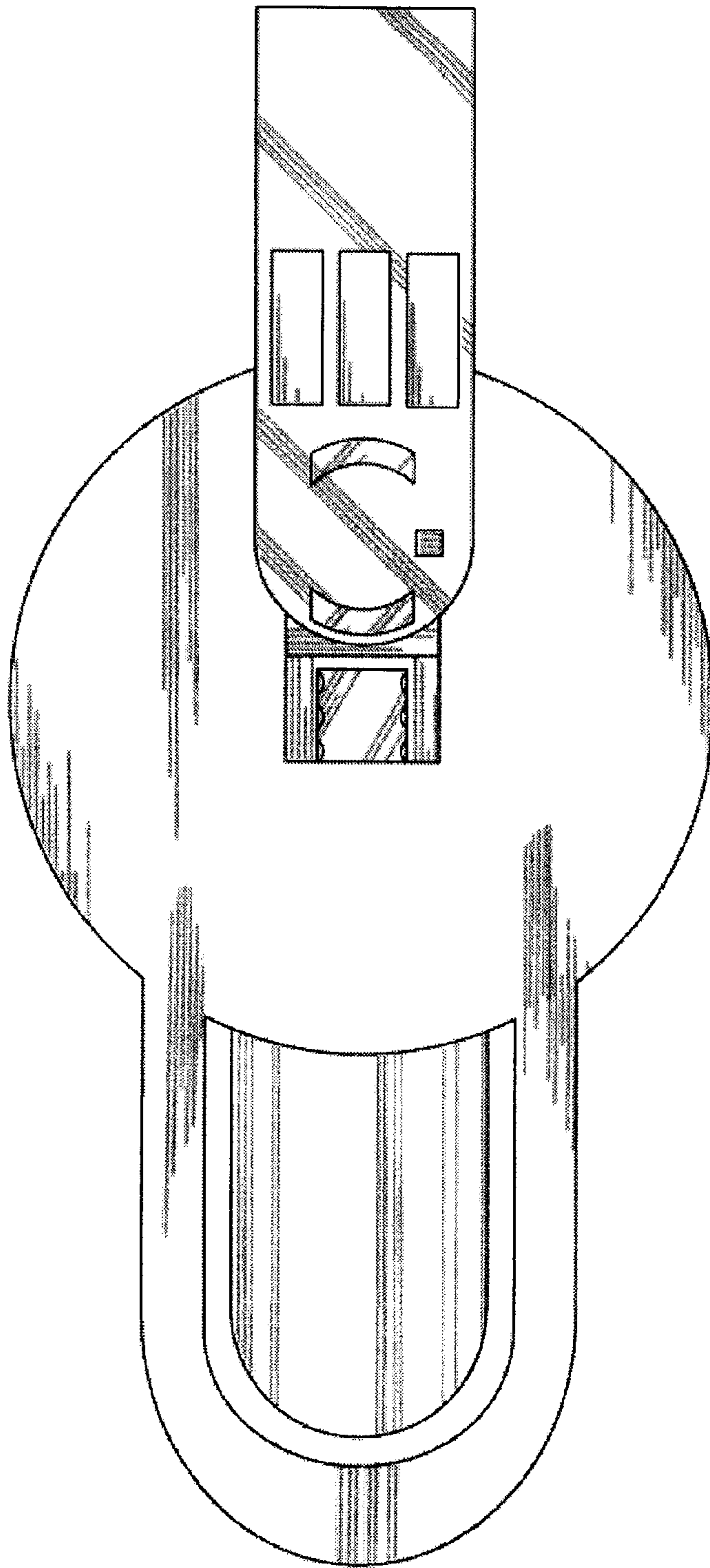


FIG.15



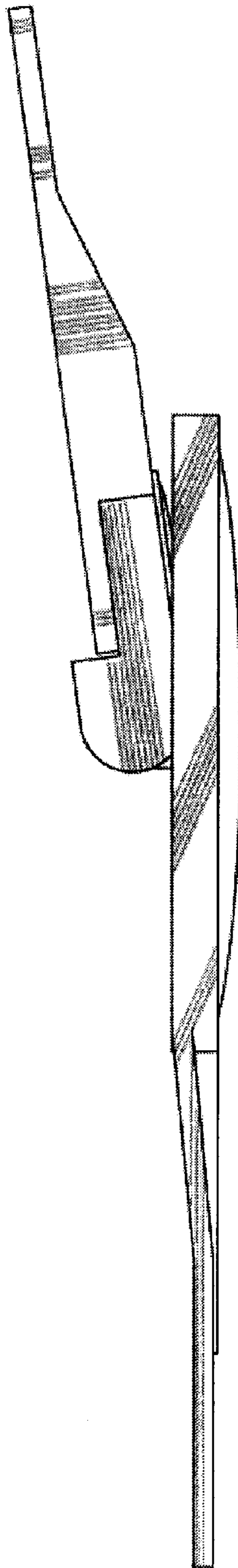


FIG.16

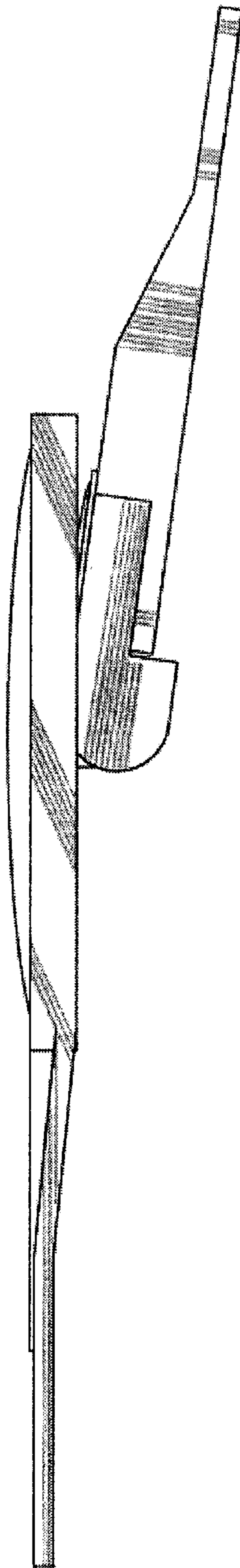


FIG.17

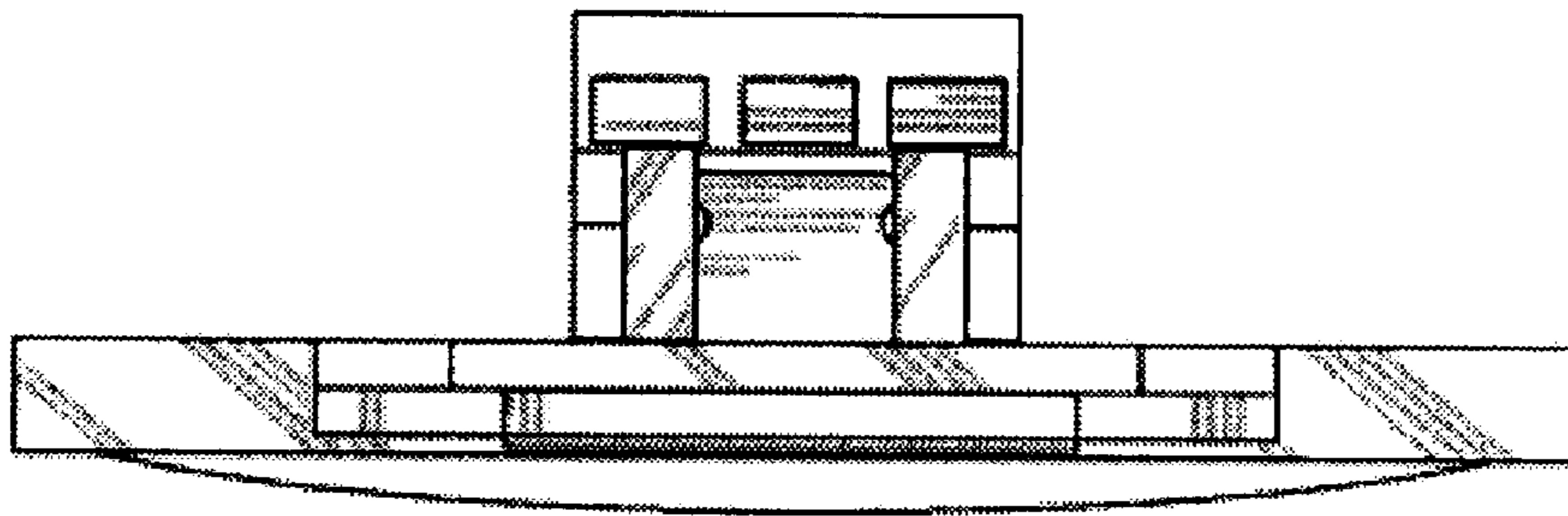


FIG.18

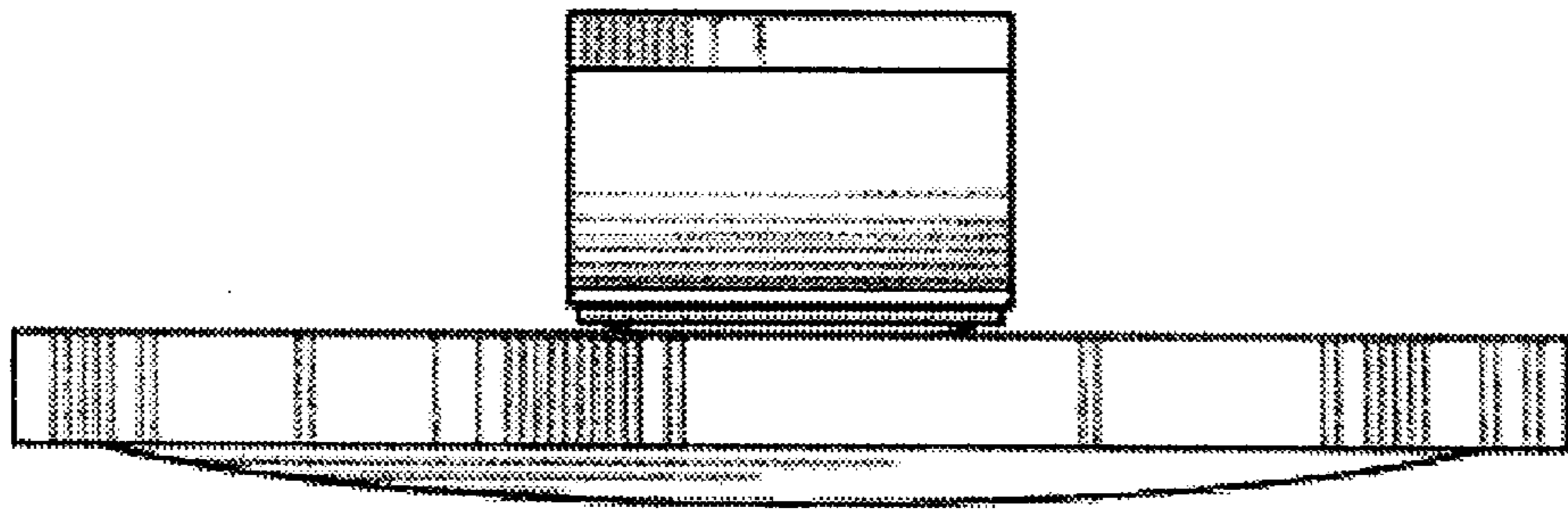


FIG.19

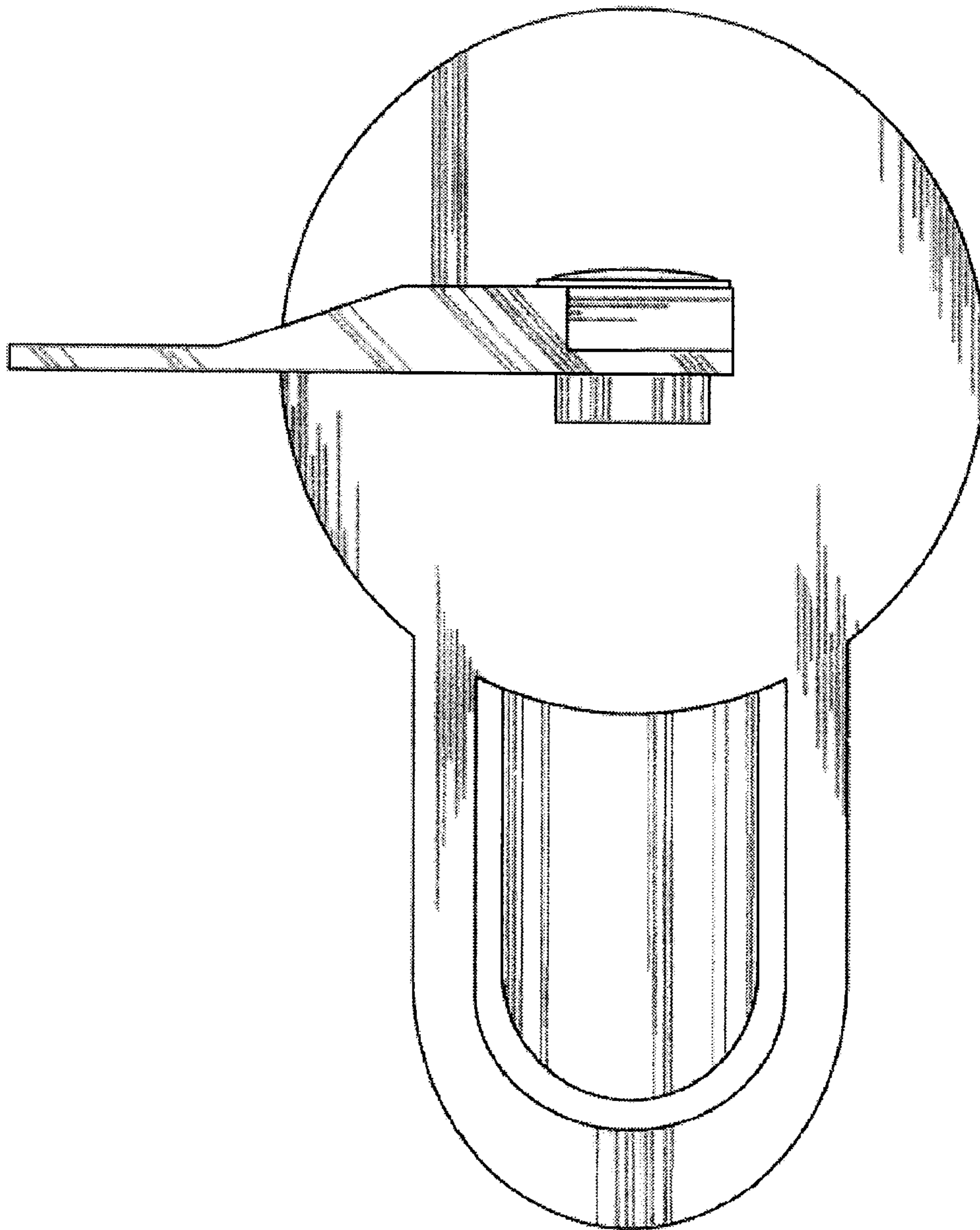


FIG.20