



US00D463822S

(12) **United States Design Patent**  
**Keda**

(10) **Patent No.:** **US D463,822 S**

(45) **Date of Patent:** **\*\* \*Oct. 1, 2002**

(54) **WRITING INSTRUMENT**

(75) Inventor: **Tadashi Keda**, Kawagoe (JP)

(73) Assignee: **Kotobuki & Co., Ltd.**, Kyoto (JP)

(\* ) Notice: This patent is subject to a terminal disclaimer.

(\*\*) Term: **14 Years**

(21) Appl. No.: **29/135,931**

(22) Filed: **Jan. 23, 2001**

(30) **Foreign Application Priority Data**

Jul. 24, 2000 (JP) ..... 2000-023542

(51) **LOC (7) Cl.** ..... **19-06**

(52) **U.S. Cl.** ..... **D19/48; D19/49; D19/56**

(58) **Field of Search** ..... D19/35, 36, 41-51,  
D19/53-58, 81-85; 401/6, 7, 88, 99, 100,  
103-106, 110-117, 209

(56) **References Cited**

**U.S. PATENT DOCUMENTS**

D155,429 S	*	10/1949	Kahn	.....	D19/48
D155,806 S	*	11/1949	Kahn	.....	D19/48
D177,560 S	*	5/1956	Ensign et al.	.....	D19/49
D190,262 S	*	5/1961	Schier	.....	D19/49
D213,341 S	*	2/1969	Fields	.....	D19/49
D240,817 S	*	8/1976	Funahashi	.....	D19/48
D397,723 S	*	9/1998	Izushima	.....	D19/49
D410,681 S	*	6/1999	Izushima	.....	D19/51

\* cited by examiner

*Primary Examiner*—Martie K. Holtje

(74) *Attorney, Agent, or Firm*—McGinn & Gibb, PLLC

(57) **CLAIM**

The ornamental design for a writing instrument, as shown and described.

**DESCRIPTION**

FIG. 1 is a front elevational view of the writing instrument according to the present invention;  
 FIG. 2 is a right side elevational view of the writing instrument of FIG. 1, the left side being a mirror image of the right side;  
 FIG. 3 is a rear elevational view of the writing instrument of FIG. 1;  
 FIG. 4 is a top plan view of the writing instrument of FIG. 1;  
 FIG. 5 is a bottom plan view of the writing instrument of FIG. 1;  
 FIG. 6 is a perspective view of the writing instrument of FIG. 1, with a writing tip of the writing instrument being projected;  
 FIG. 7 is an enlarged sectional view of the writing instrument of FIG. 1, taken on a plane indicated in FIG. 1 by a line 7—7, in which an internal mechanism of the writing instrument is removed for clarity of illustration;  
 FIG. 8 is an enlarged sectional view of the writing instrument of FIG. 1, taken on a plane indicated in FIG. 1 by a line 8—8, in which the internal mechanism of the writing instrument is removed for clarity of illustration;  
 FIG. 9 is an enlarged sectional view of the writing instrument of FIG. 1, taken on a plane indicated in FIG. 1 by a line 9—9, in which the internal mechanism of the writing instrument is removed for clarity of illustration; and,  
 FIG. 10 is an enlarged sectional view of the writing instrument of FIG. 1, taken on a plane indicated in FIG. 1 by a line 10—10, in which the internal mechanism of the writing instrument is removed for clarity of illustration.

**1 Claim, 3 Drawing Sheets**

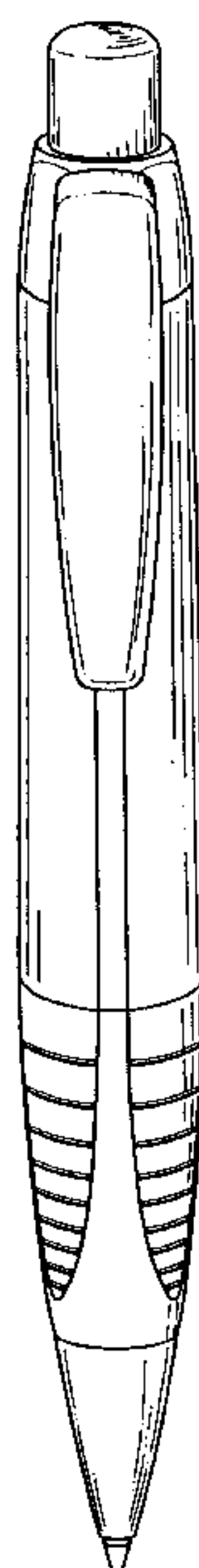


FIG. 2

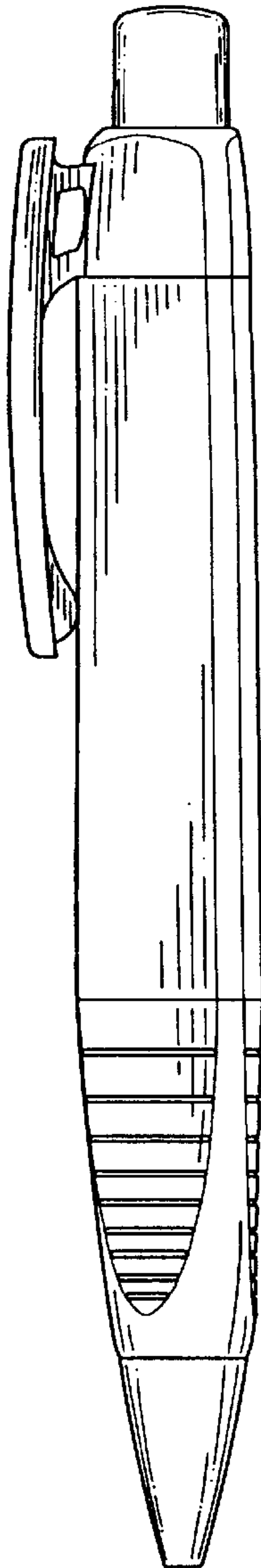


FIG. 1

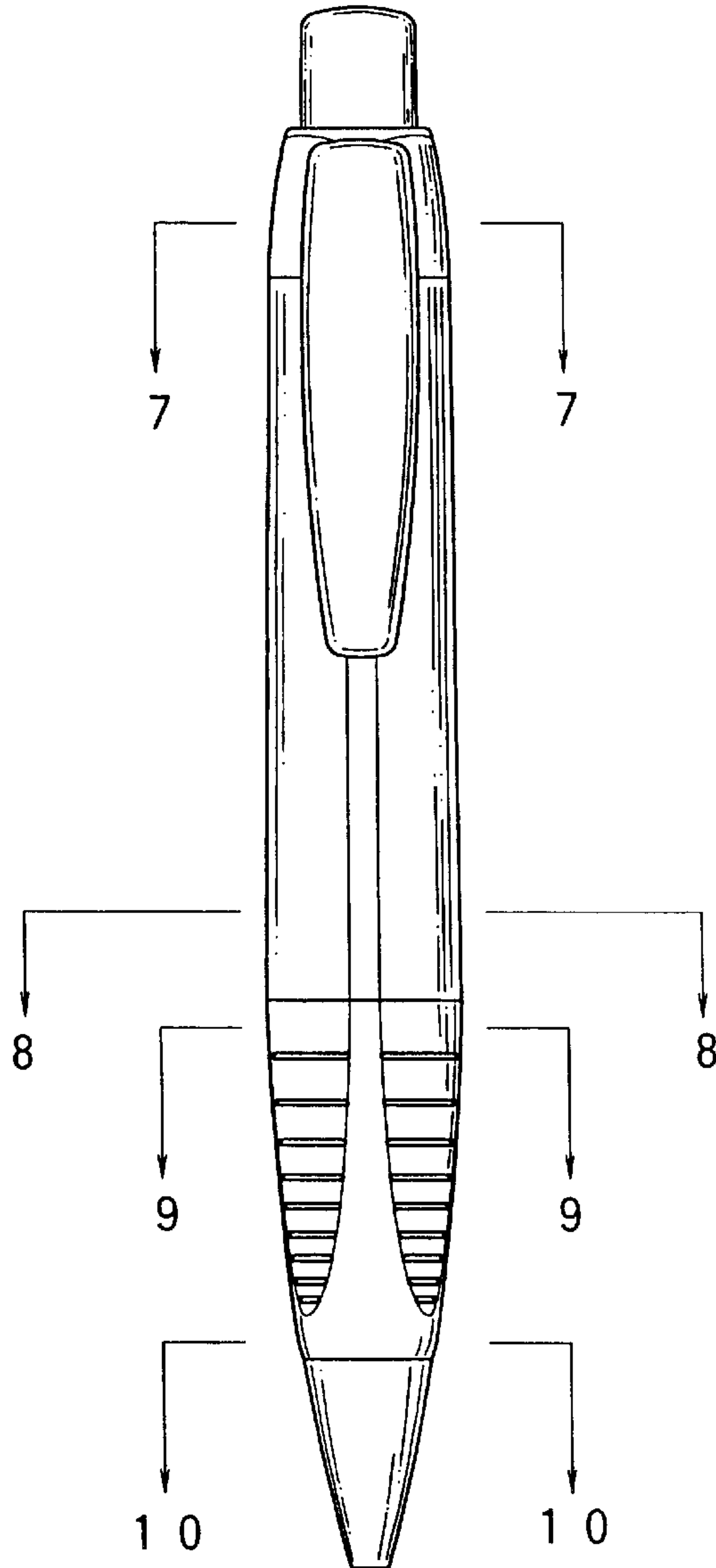


FIG. 3

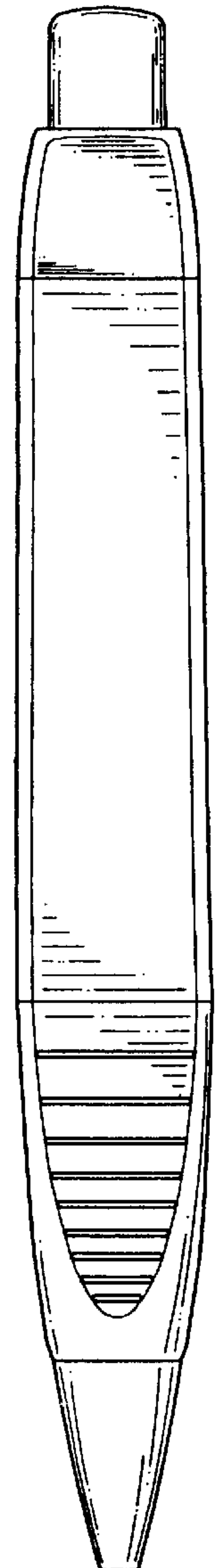


FIG. 6

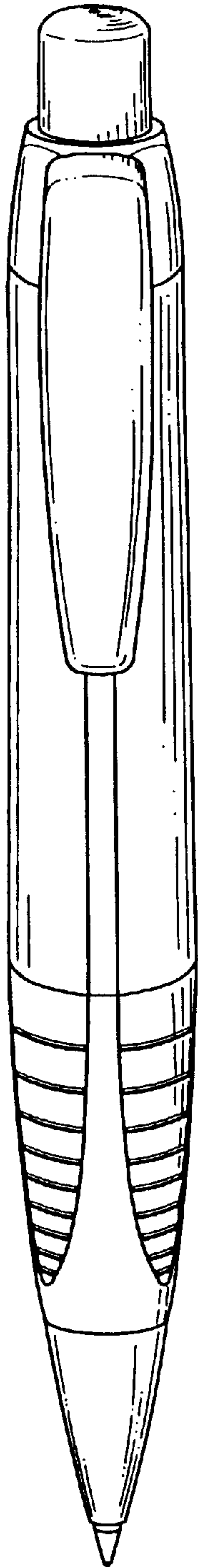


FIG. 4

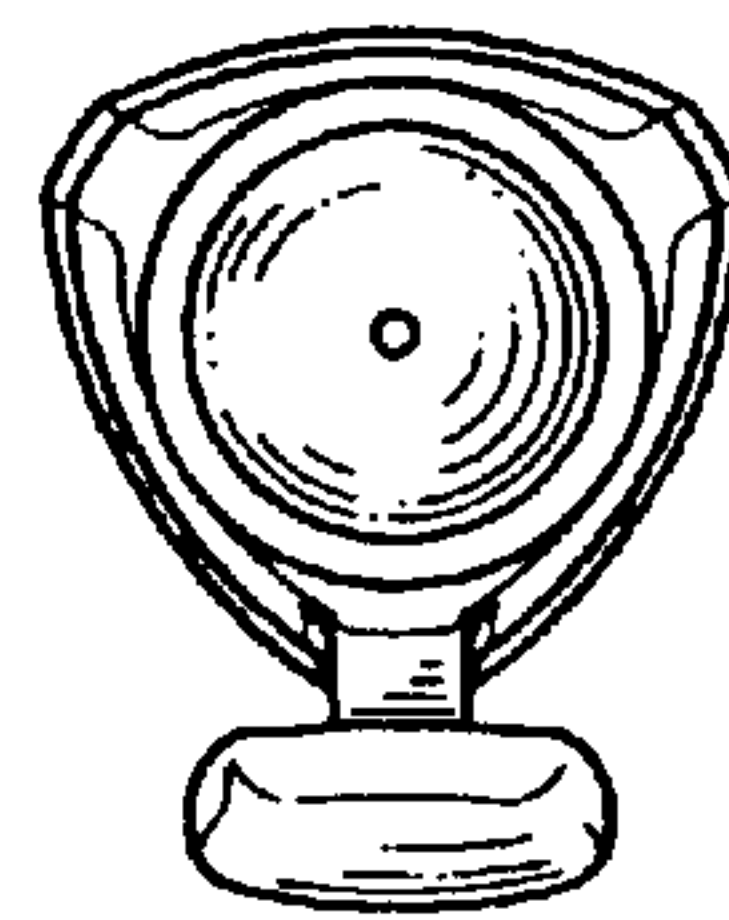


FIG. 5

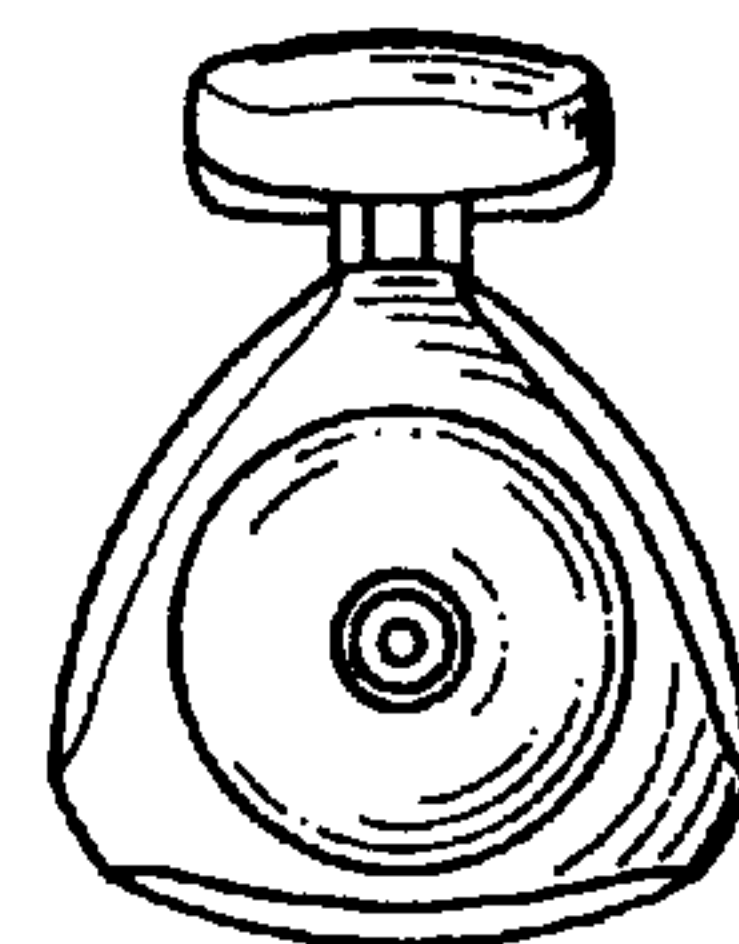


FIG. 9

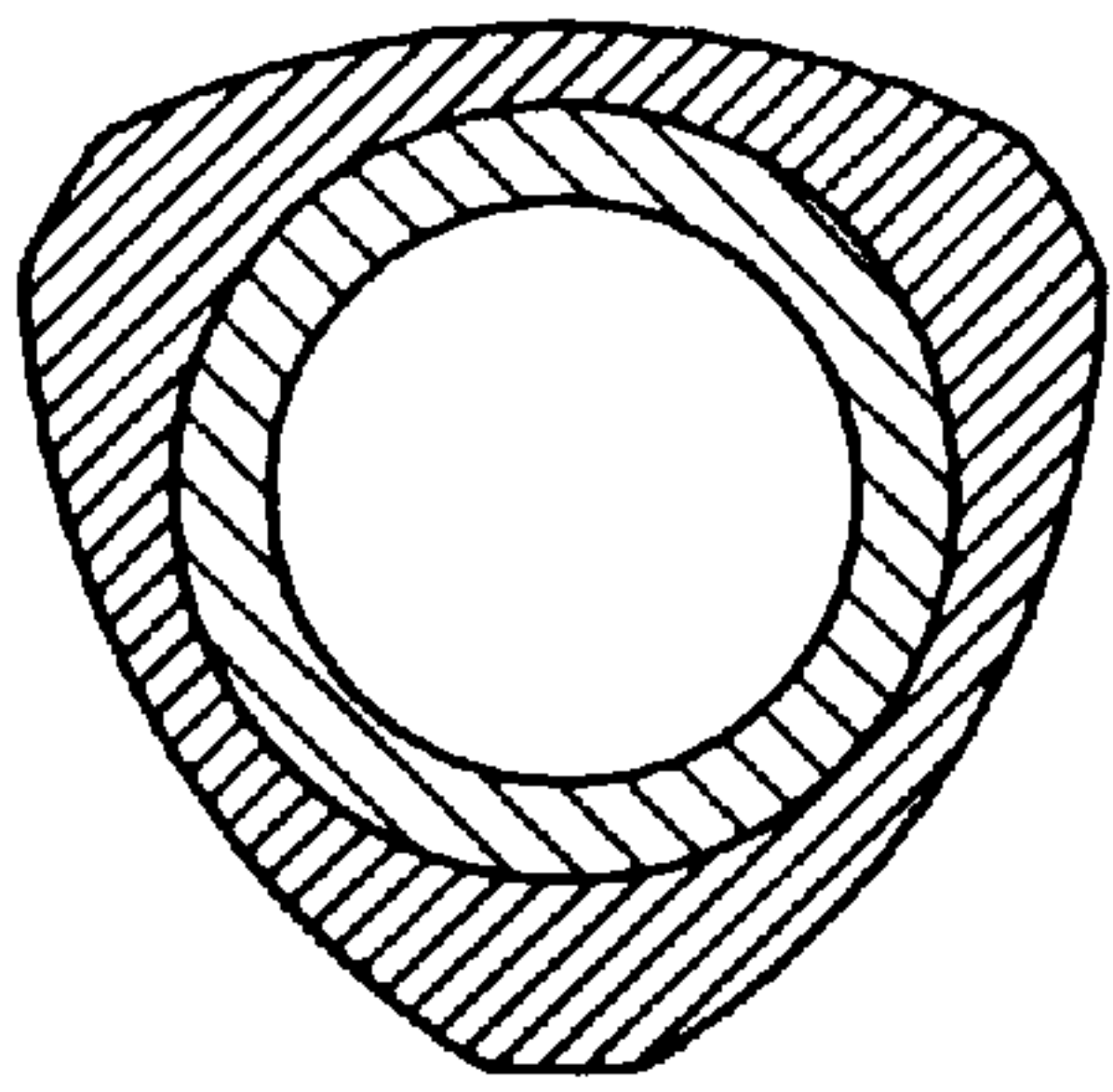


FIG. 7

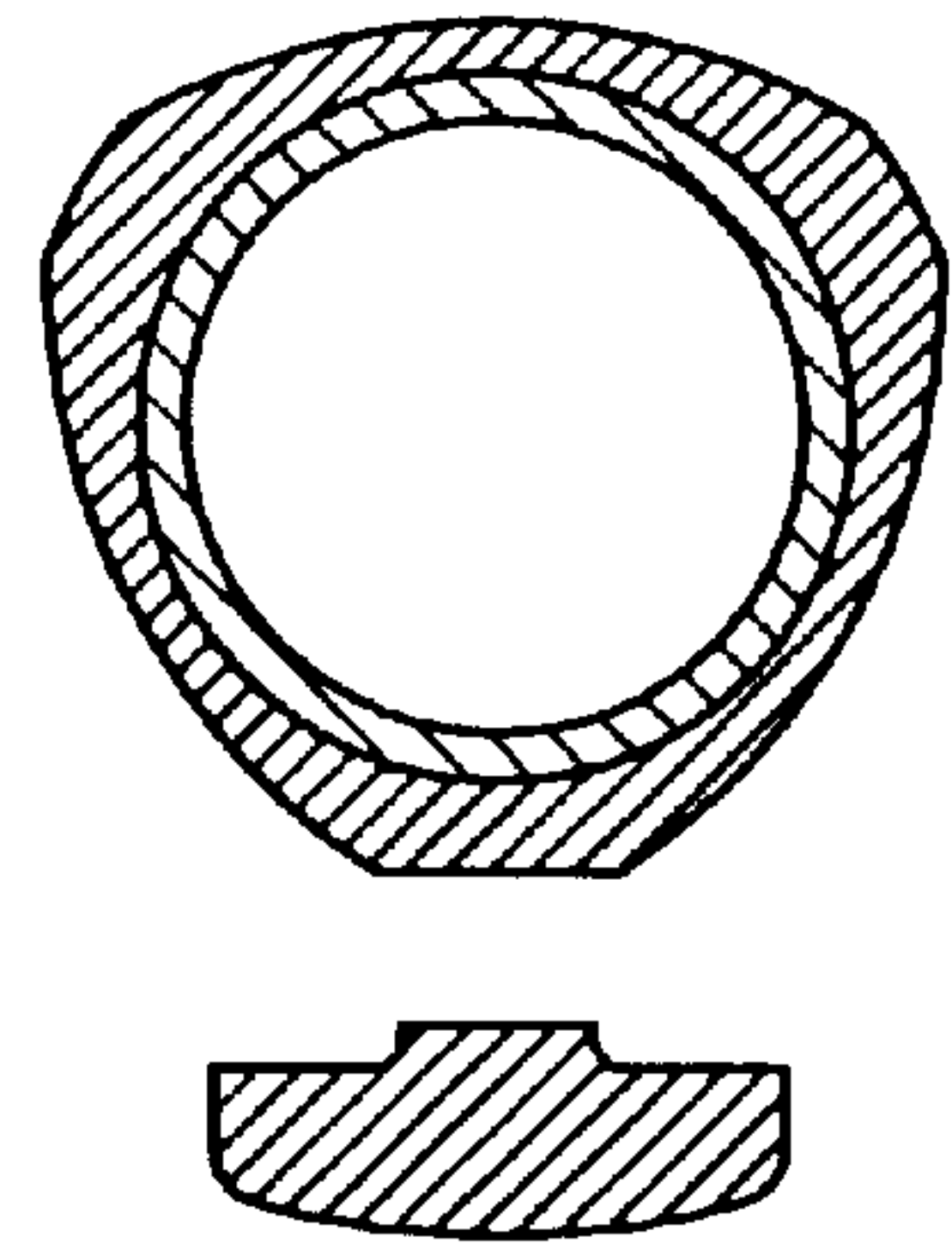


FIG. 10

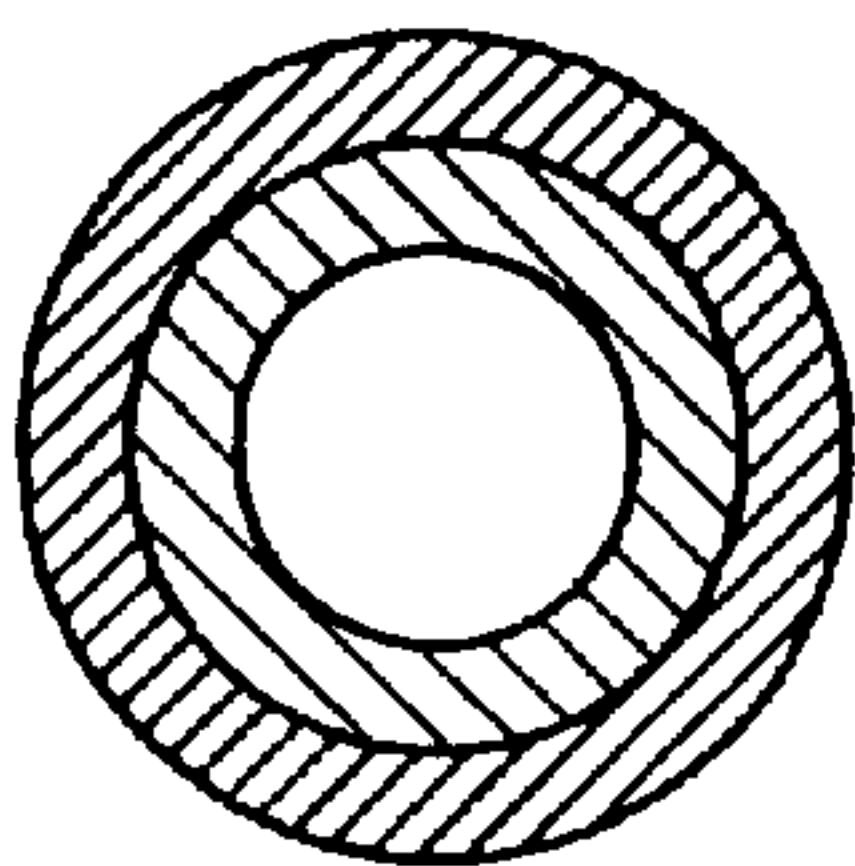


FIG. 8

