



US00D463818S

(12) **United States Design Patent**
Fujinuma et al.

(10) **Patent No.:** **US D463,818 S**

(45) **Date of Patent:** **** Oct. 1, 2002**

(54) **DEVELOPER BOTTLE**

(75) Inventors: **Yoshitaka Fujinuma**, Ibaraki (JP);
Masayuki Aino, Ibaraki (JP);
Tomoyoshi Yamazaki, Ibaraki (JP)

(73) Assignee: **Hitachi Koki Co., Ltd.**, Tokyo (JP)

(**) Term: **14 Years**

(21) Appl. No.: **29/119,750**

(22) Filed: **Mar. 8, 2000**

(30) **Foreign Application Priority Data**

Sep. 9, 1999 (JP) 11-24350

(51) **LOC (7) Cl.** **16-03**

(52) **U.S. Cl.** **D18/43**

(58) **Field of Search** D18/40, 43, 56;
399/24, 27, 33, 119, 222, 252, 262

(56) **References Cited**

U.S. PATENT DOCUMENTS

D371,389 S * 7/1996 Taneya et al. D18/56

D417,233 S * 11/1999 Sabonis D18/56
D442,219 S * 5/2001 Chou et al. D18/56
D444,495 S * 7/2001 Taniguchi et al. D18/43
D444,810 S * 7/2001 Itoh D18/43
D448,798 S * 10/2001 Shimizu et al. D18/56

* cited by examiner

Primary Examiner—Caron D. Veynar

(74) *Attorney, Agent, or Firm*—Sughrue Mion, PLLC

(57) **CLAIM**

The ornamental design for a developer bottle, as shown.

DESCRIPTION

FIG. 1 is a perspective view of the top, front and one side of a developer bottle showing our new design;
FIG. 2 is a side view of an opposite side thereof;
FIG. 3 is a side view of said one side thereof;
FIG. 4 is a rear view thereof;
FIG. 5 is a front view thereof;
FIG. 6 is a top view thereof; and,
FIG. 7 is a bottom view thereof.

1 Claim, 4 Drawing Sheets

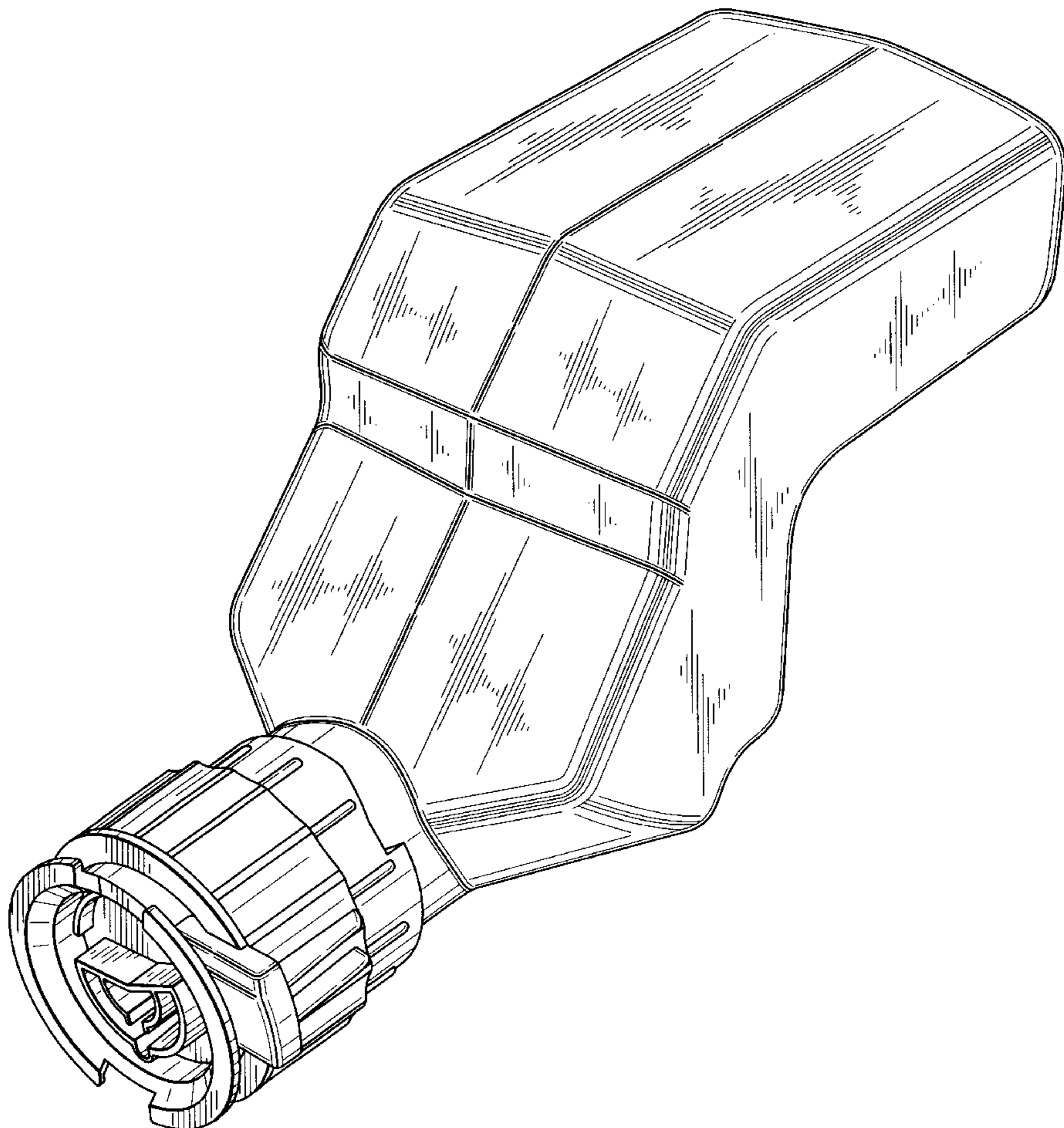


FIG. 1

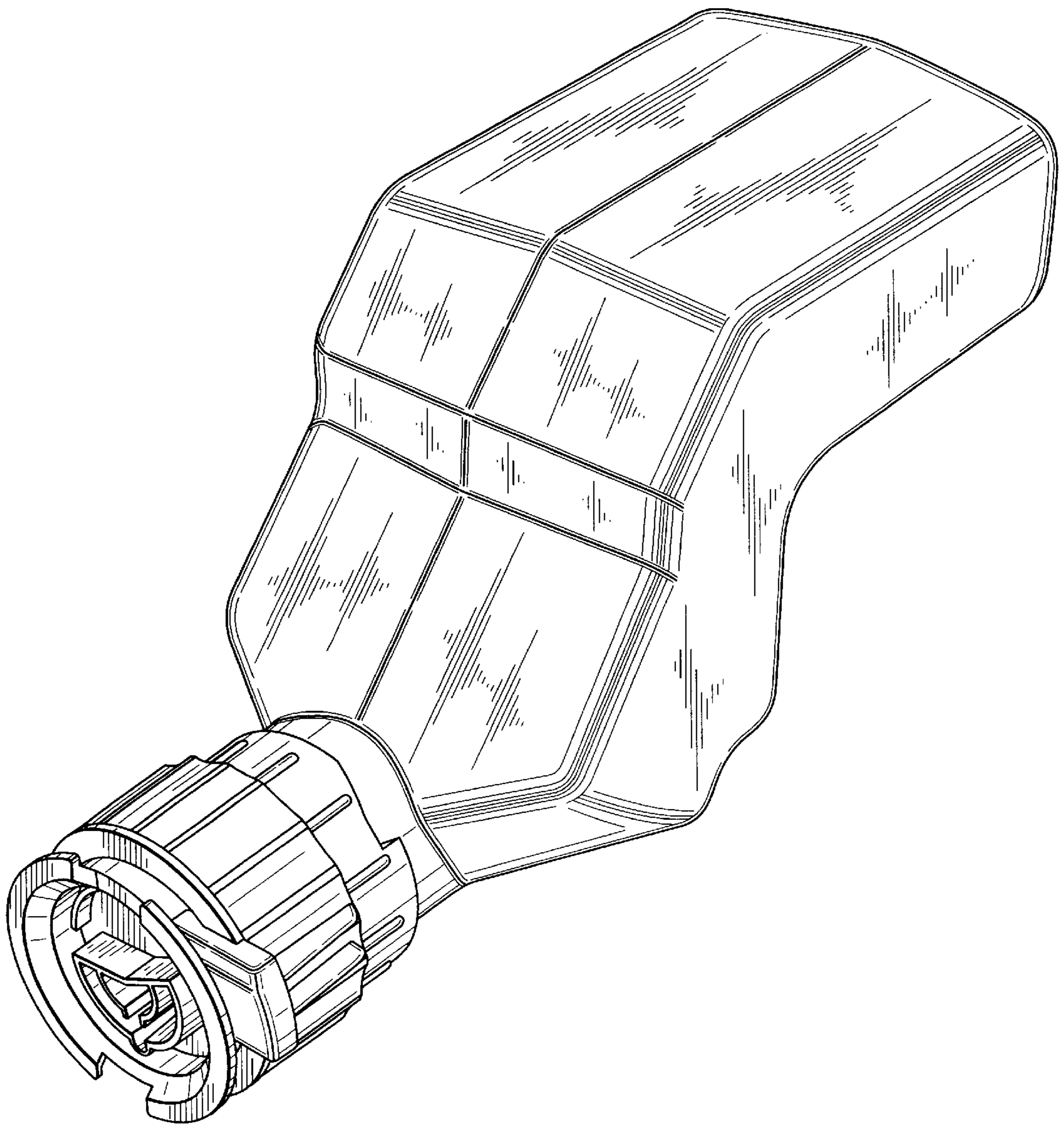


FIG. 2

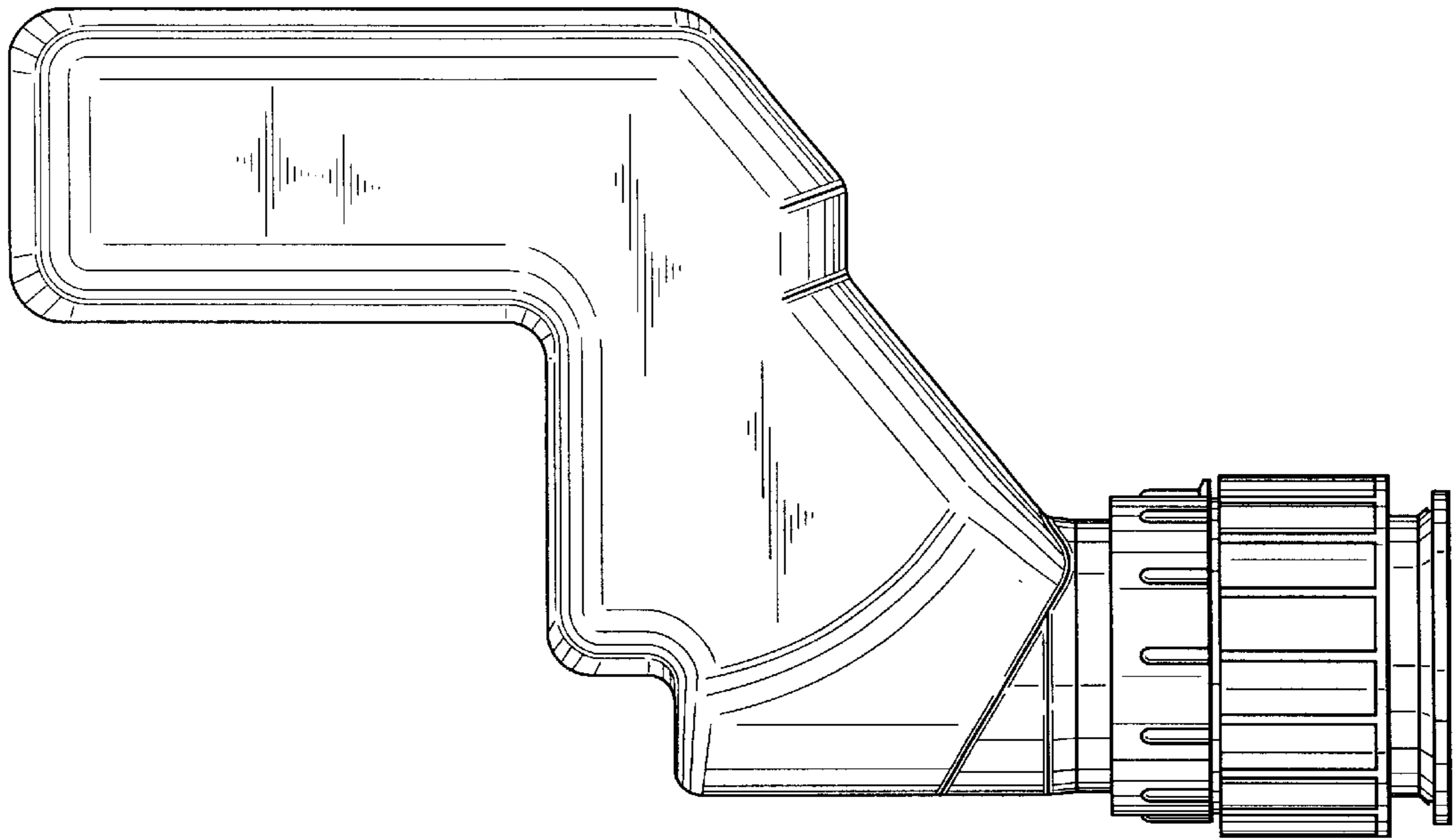


FIG. 3

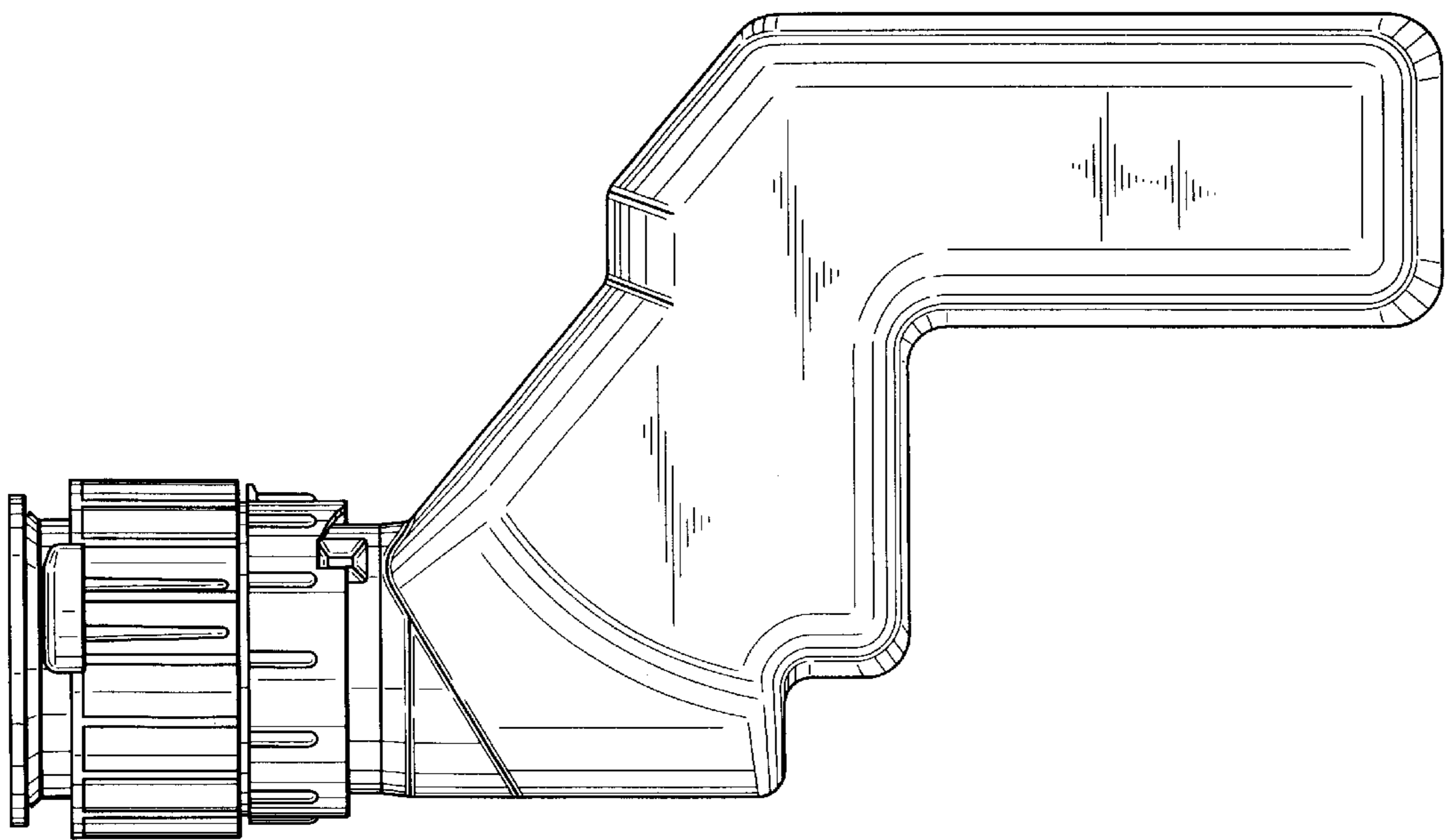


FIG. 4

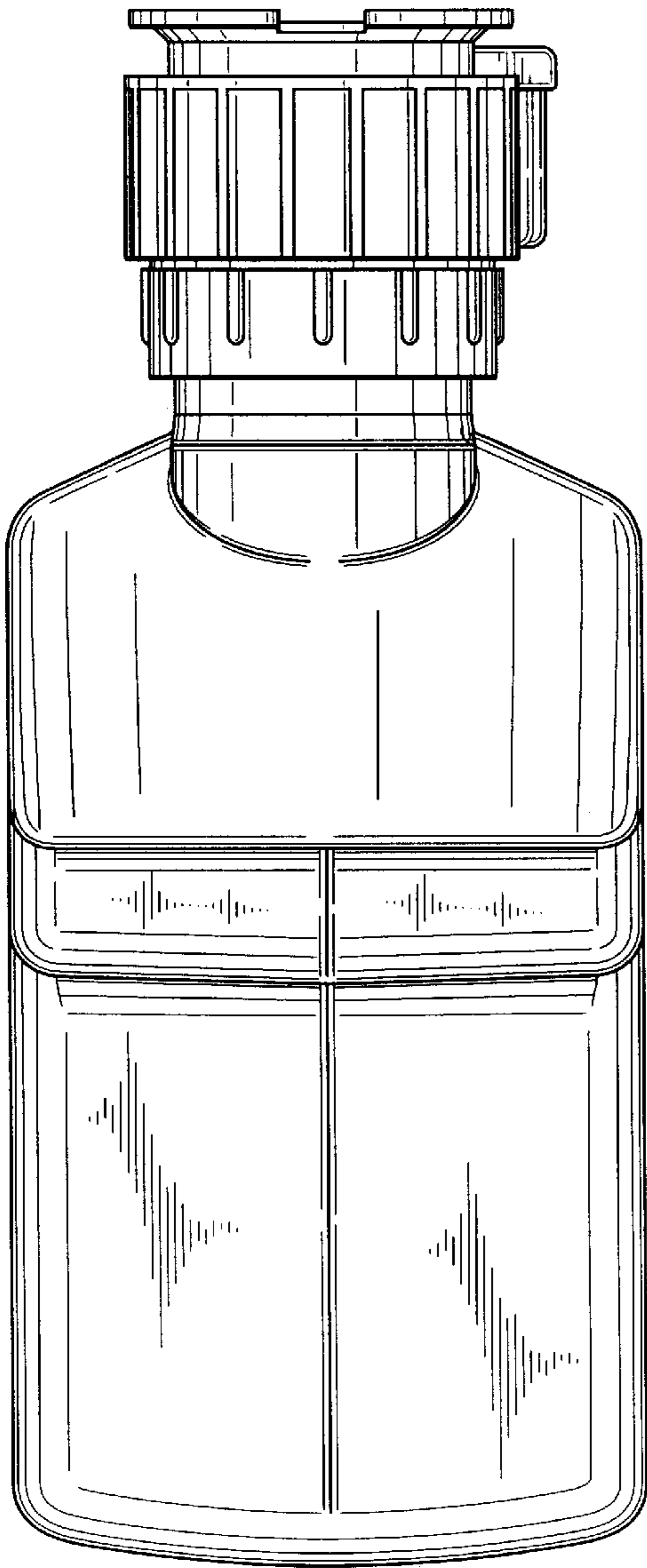


FIG. 5

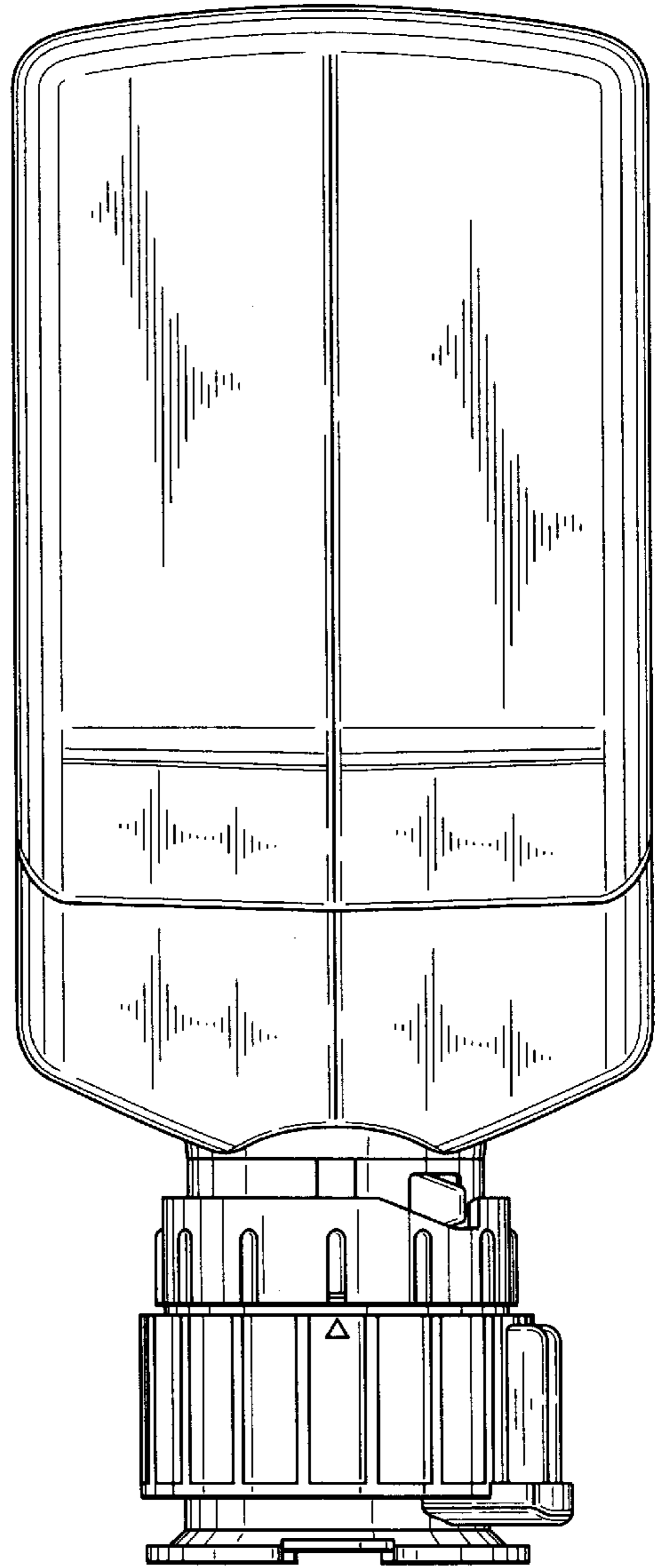


FIG. 6

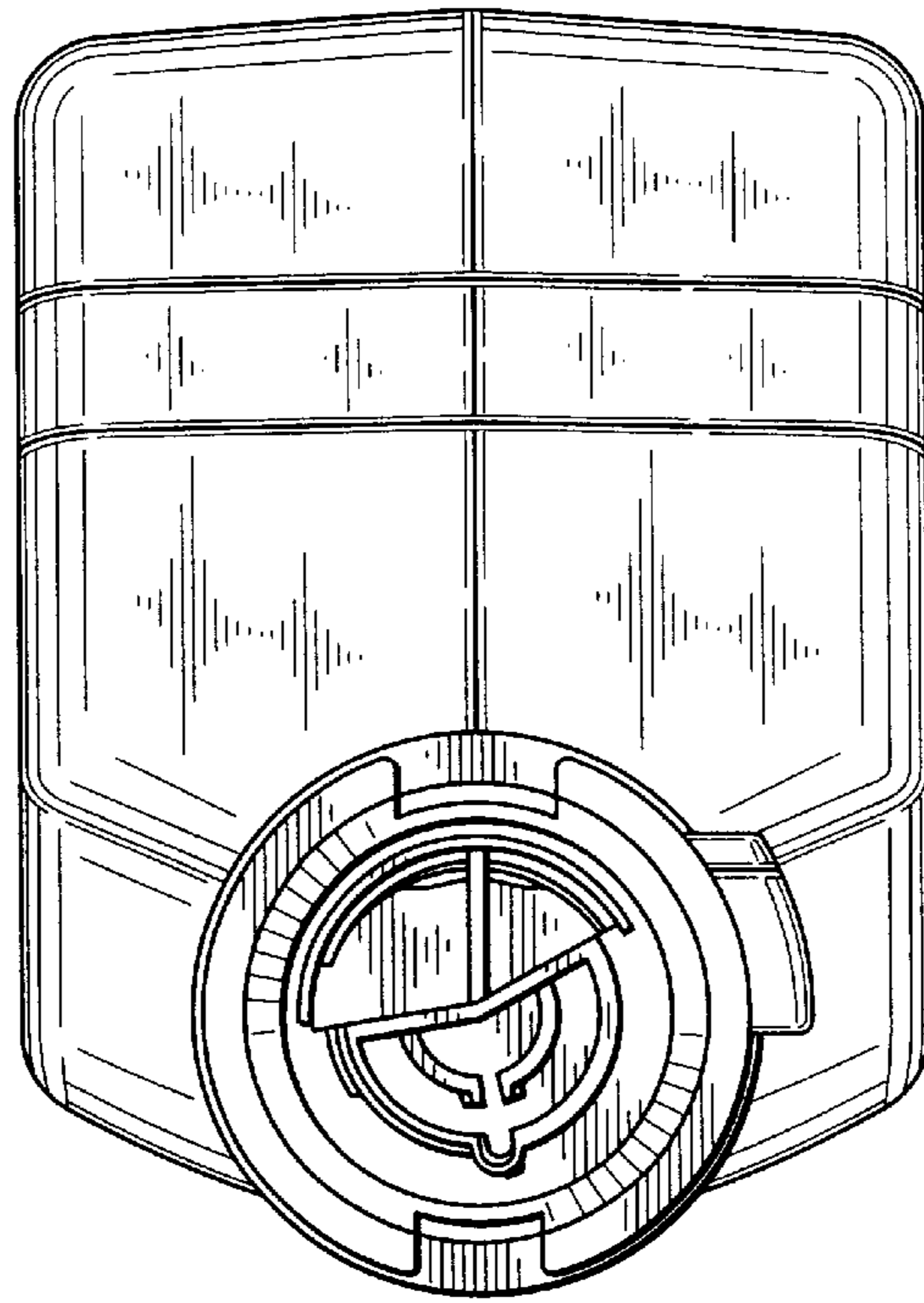


FIG. 7

