



US00D463817S

(12) **United States Design Patent**  
**Kunihiro et al.**

(10) **Patent No.:** **US D463,817 S**

(45) **Date of Patent:** **\*\* Oct. 1, 2002**

(54) **DEVELOPING UNIT FOR AN IMAGE FORMING APPARATUS**

(75) Inventors: **Hisashi Kunihiro**, Nara-ken (JP);  
**Hiroshi Tanisawa**, Nara-ken (JP);  
**Takeshi Wakabayashi**, Kyoto-fu (JP);  
**Hiroshi Kawahito**, Nara-ken (JP);  
**Fumito Mizoguchi**, Nara-ken (JP);  
**Hiroshi Kubota**, Osaka-fu (JP)

(73) Assignee: **Sharp Kabushiki Kaisha**, Osaka (JP)

(\*\*) Term: **14 Years**

(21) Appl. No.: **29/150,038**

(22) Filed: **Nov. 1, 2001**

(30) **Foreign Application Priority Data**

May 10, 2001 (JP) ..... 2001-013335

(51) **LOC (7) Cl.** ..... **16-03**

(52) **U.S. Cl.** ..... **D18/40**

(58) **Field of Search** ..... D18/36, 40, 43,  
D18/56; 399/24-31, 59, 61, 71, 74, 99,  
103, 106, 110-112, 114-119, 222, 227,  
256-259, 262, 299, 303, 358, 311, 320

(56) **References Cited**

**U.S. PATENT DOCUMENTS**

D368,112 S \* 3/1996 Komaki ..... D18/43

D395,668 S \* 6/1998 Yasuda ..... D18/43  
D410,489 S \* 6/1999 Miyazawa ..... D18/43  
D419,181 S \* 1/2000 Matsumoto ..... D18/40  
D442,215 S \* 5/2001 Fujita ..... D18/43  
D452,263 S \* 12/2001 Ono et al. .... D18/40

\* cited by examiner

*Primary Examiner*—Caron D. Veynar  
(74) *Attorney, Agent, or Firm*—Nixon & Vanderhye

(57) **CLAIM**

The ornamental design for a “developing unit for an image forming apparatus”, as shown and described.

**DESCRIPTION**

FIG. 1 is top, front and right side perspective view of a developing unit for an image forming apparatus according to our design;

FIG. 2 is a front elevational view thereof;

FIG. 3 is a rear elevational view thereof;

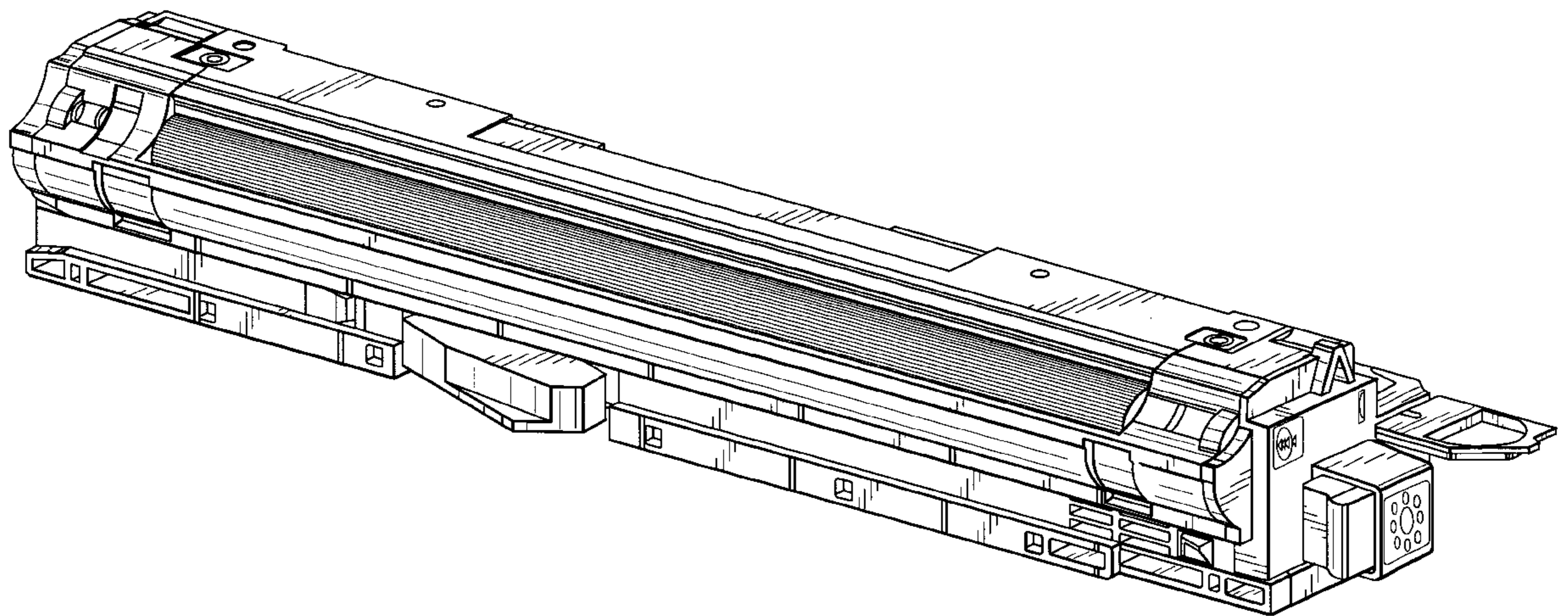
FIG. 4 is a right side elevational view thereof;

FIG. 5 is a left side elevational view thereof;

FIG. 6 is a top plan view thereof; and

FIG. 7 is a bottom plan view thereof.

**1 Claim, 4 Drawing Sheets**



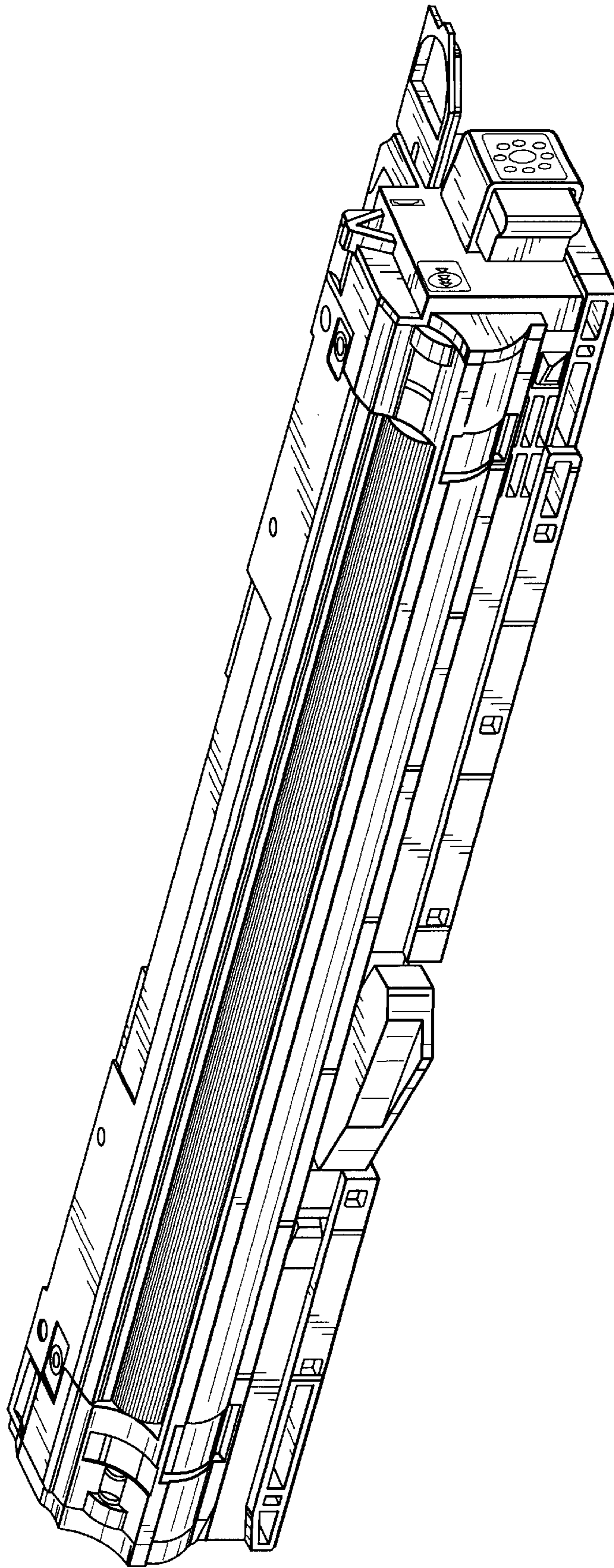


Fig.1

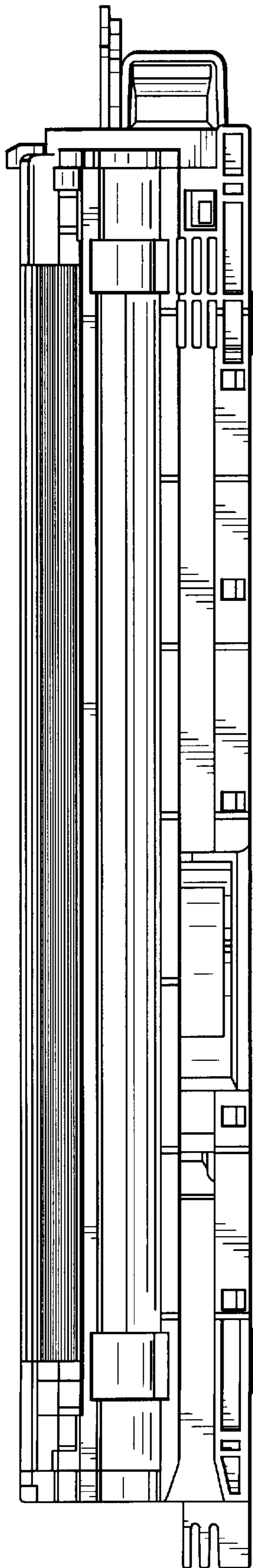


Fig. 2

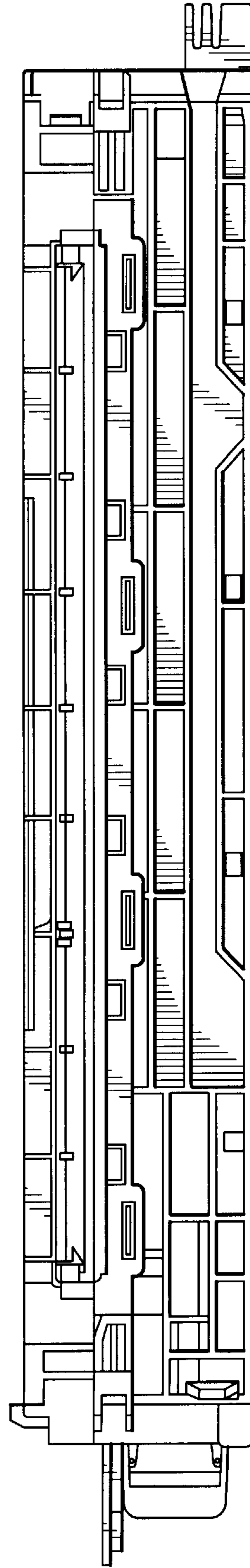


Fig. 3

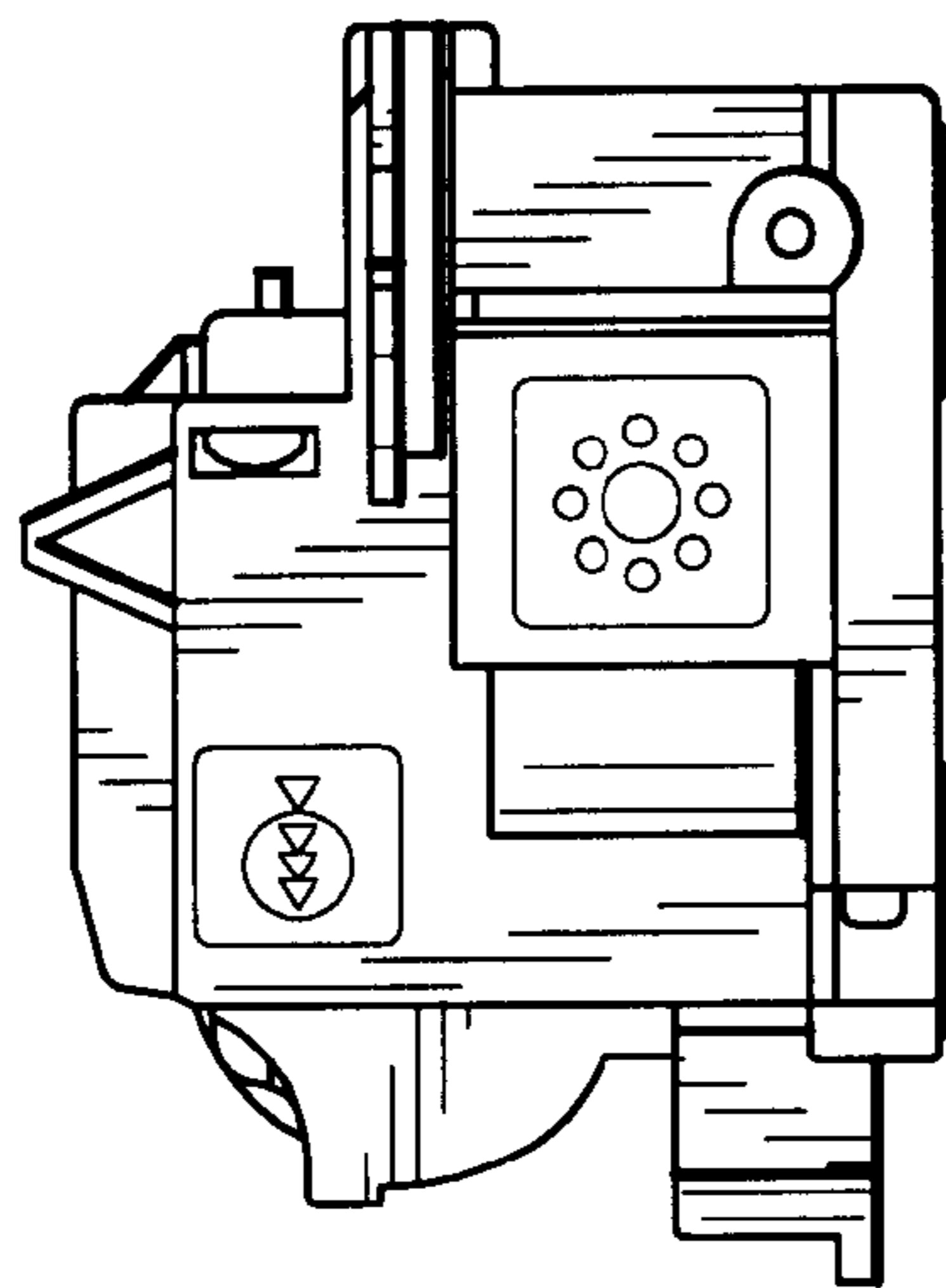


Fig. 4

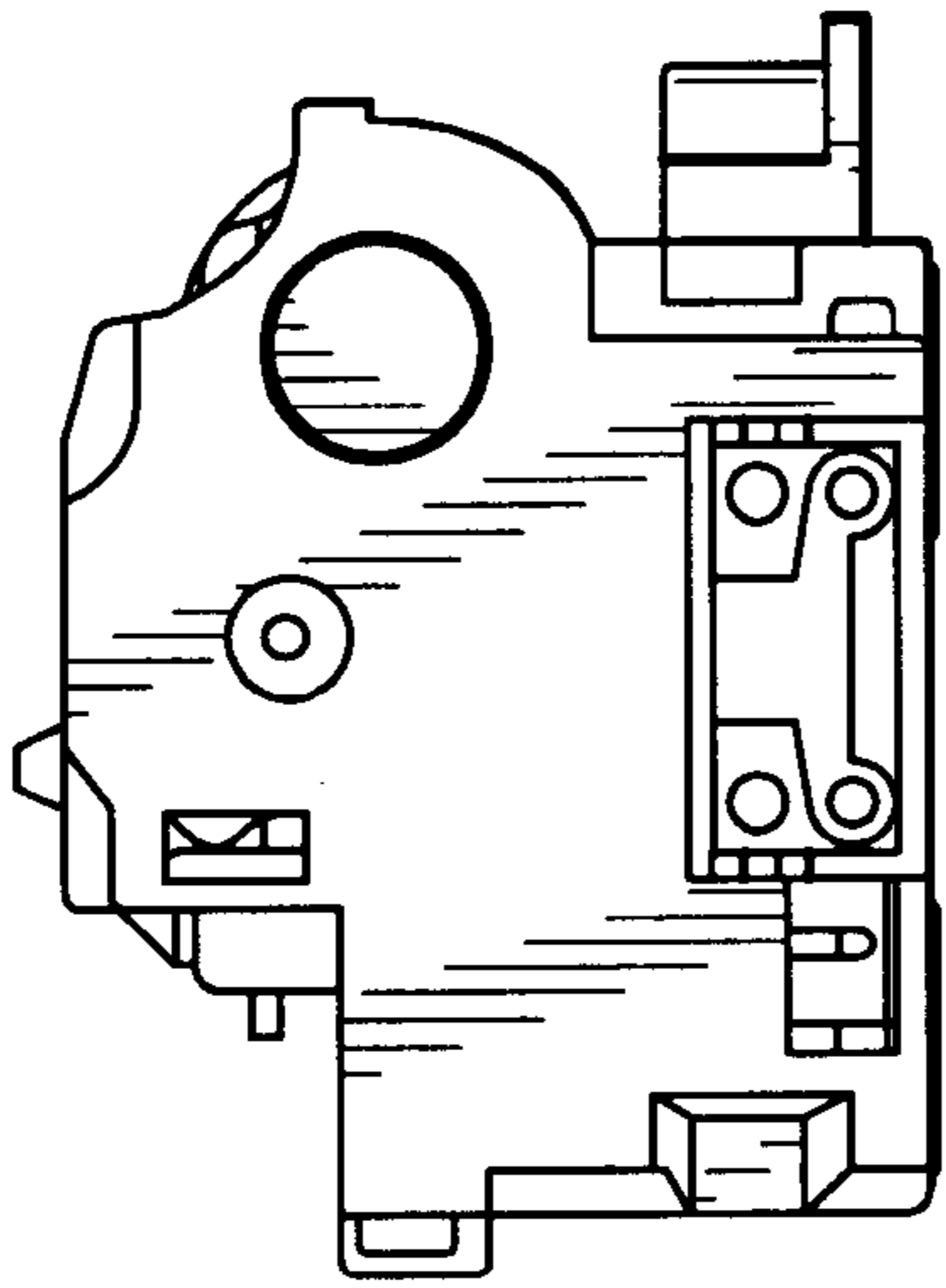


Fig. 5

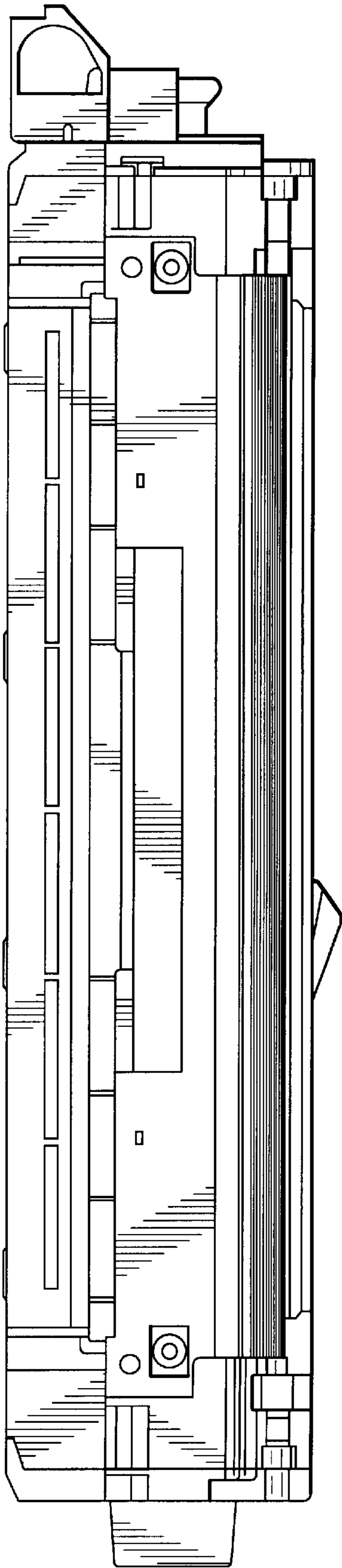


Fig. 6

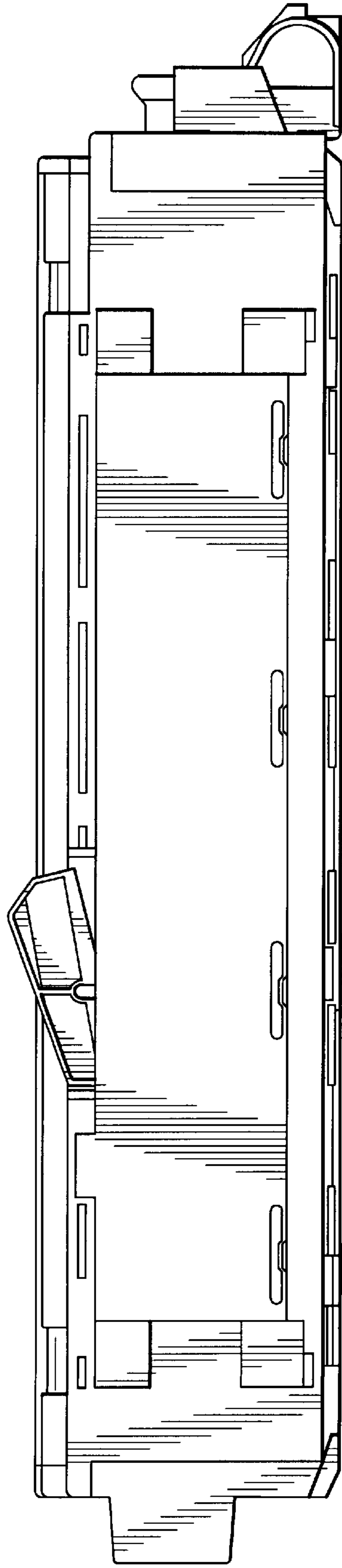


Fig. 7