



US00D463812S

(12) **United States Design Patent**
Brickus et al.

(10) **Patent No.:** **US D463,812 S**

(45) **Date of Patent:** **** Oct. 1, 2002**

(54) **ERECT PHOTOGRAPHIC APPARATUS**

(75) Inventors: **Jonas R. Brickus**, Boston, MA (US);
Jose M. Perez, Cambridge, MA (US);
Gerd Schmieta, Boston, MA (US);
Mark Biasotti, San Jose, CA (US)

(73) Assignee: **Polaroid Corporation**, Cambridge, MA (US)

(* Notice: This patent is subject to a terminal disclaimer.

(** Term: **14 Years**

(21) Appl. No.: **29/128,732**

(22) Filed: **Aug. 30, 2000**

(51) **LOC (7) Cl.** **16-01**

(52) **U.S. Cl.** **D16/211**

(58) **Field of Search** D16/200, 202,
D16/203, 204, 208, 209, 211, 217, 218;
396/177, 178, 348-350, 535-541

(56) **References Cited**

U.S. PATENT DOCUMENTS

4,688,913 A * 8/1987 Whiteside et al. 396/177

D296,109 S * 6/1988 Peterson et al. D16/211
5,028,949 A * 7/1991 Kawano 396/354
D399,518 S * 10/1998 Pankhurst D16/211
D425,089 S * 5/2000 Ting D16/202

* cited by examiner

Primary Examiner—Adir Aronovich

(74) *Attorney, Agent, or Firm*—Paul M. Coryea

(57) **CLAIM**

The ornamental design for an erect photographic apparatus, as described and shown.

DESCRIPTION

FIG. 1 is a perspective view of an erect photographic apparatus showing our new design;

FIG. 2 is a top plan view thereof; and,

FIG. 3 is a bottom plan view thereof;

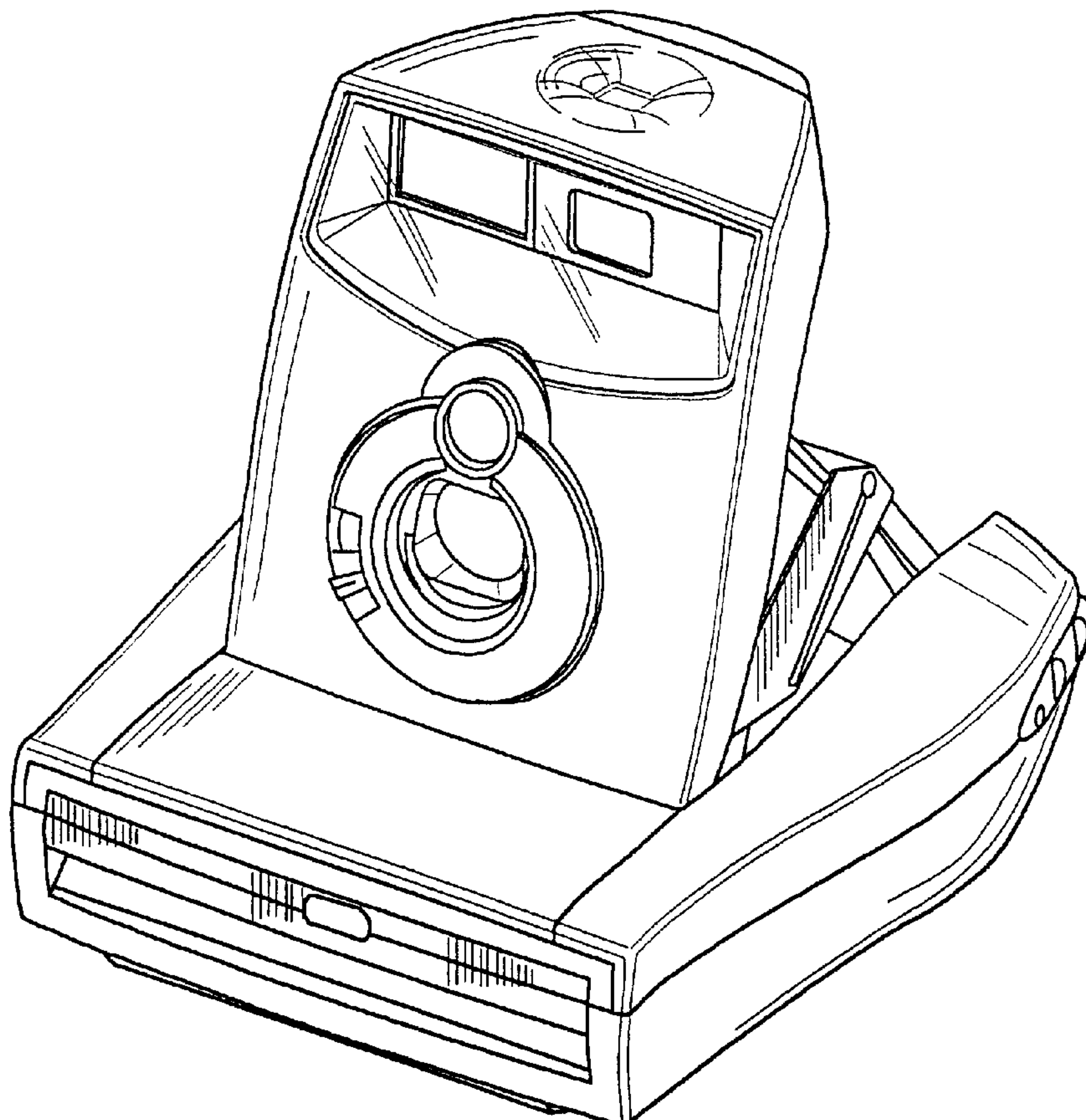
FIG. 4 is a right side elevational view thereof;

FIG. 5 is a left side elevational view thereof;

FIG. 6 is a front elevational view thereof; and,

FIG. 7 is a rear elevational view thereof.

1 Claim, 4 Drawing Sheets



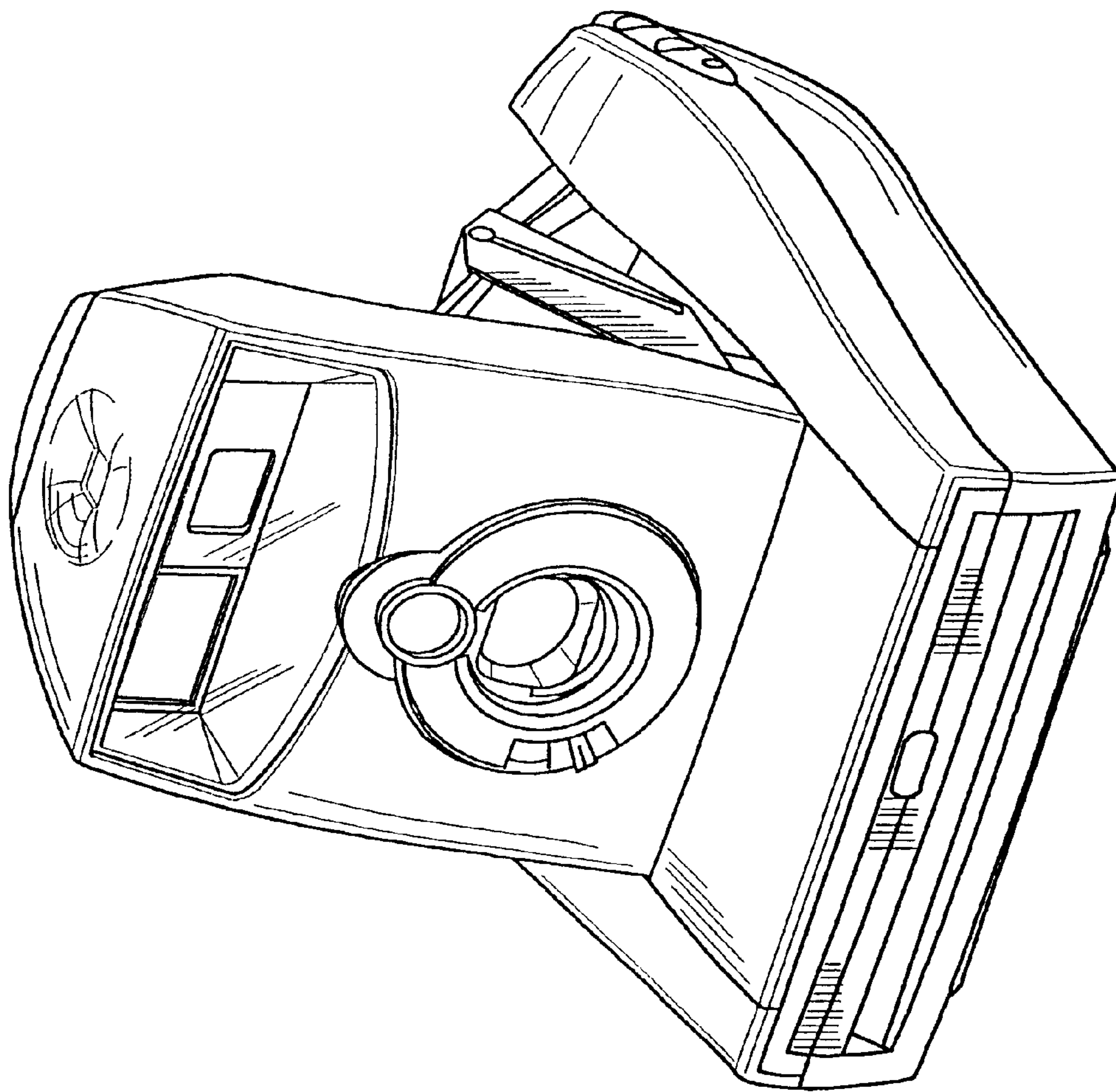


FIG. 1

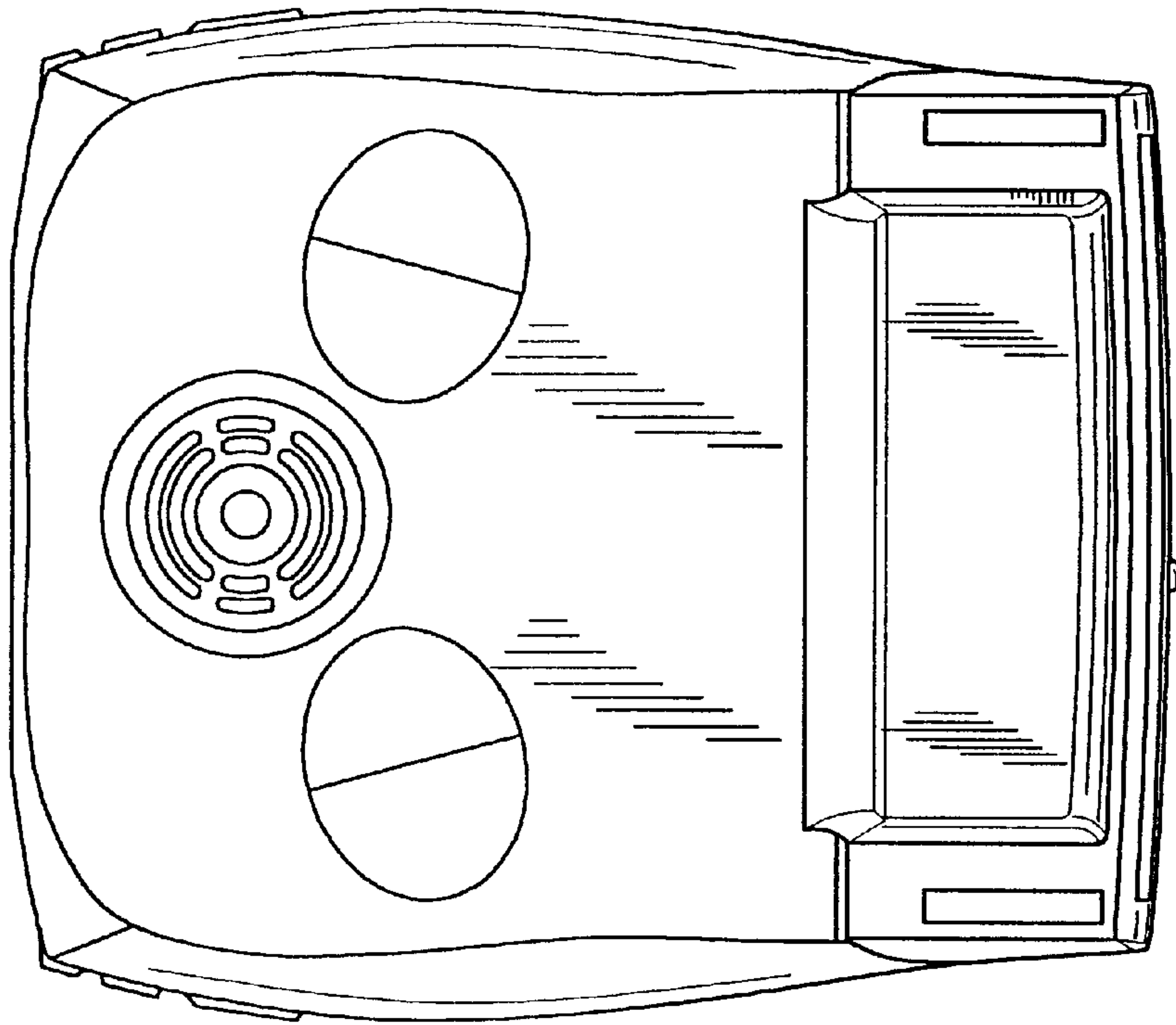


FIG. 3

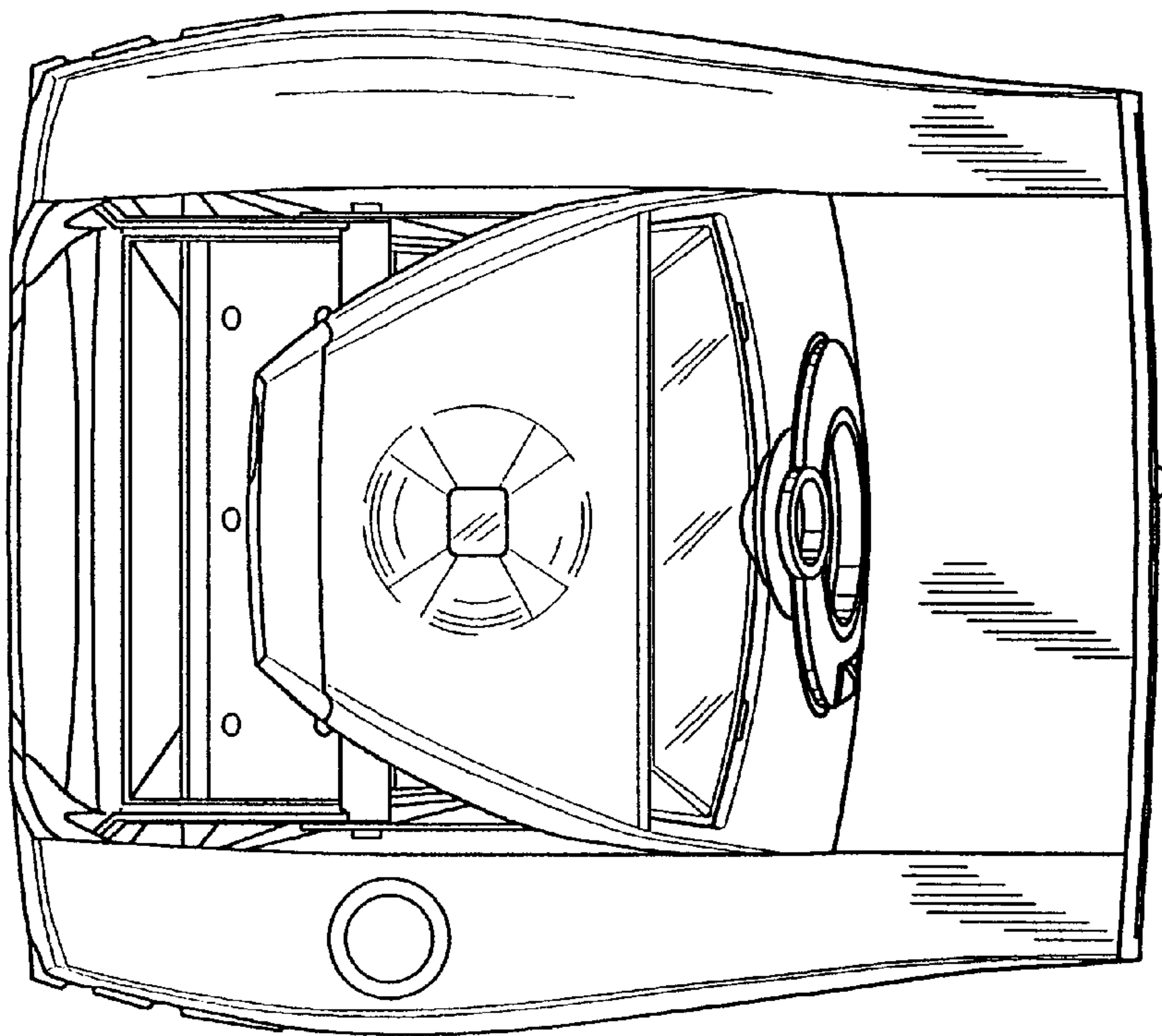


FIG. 2

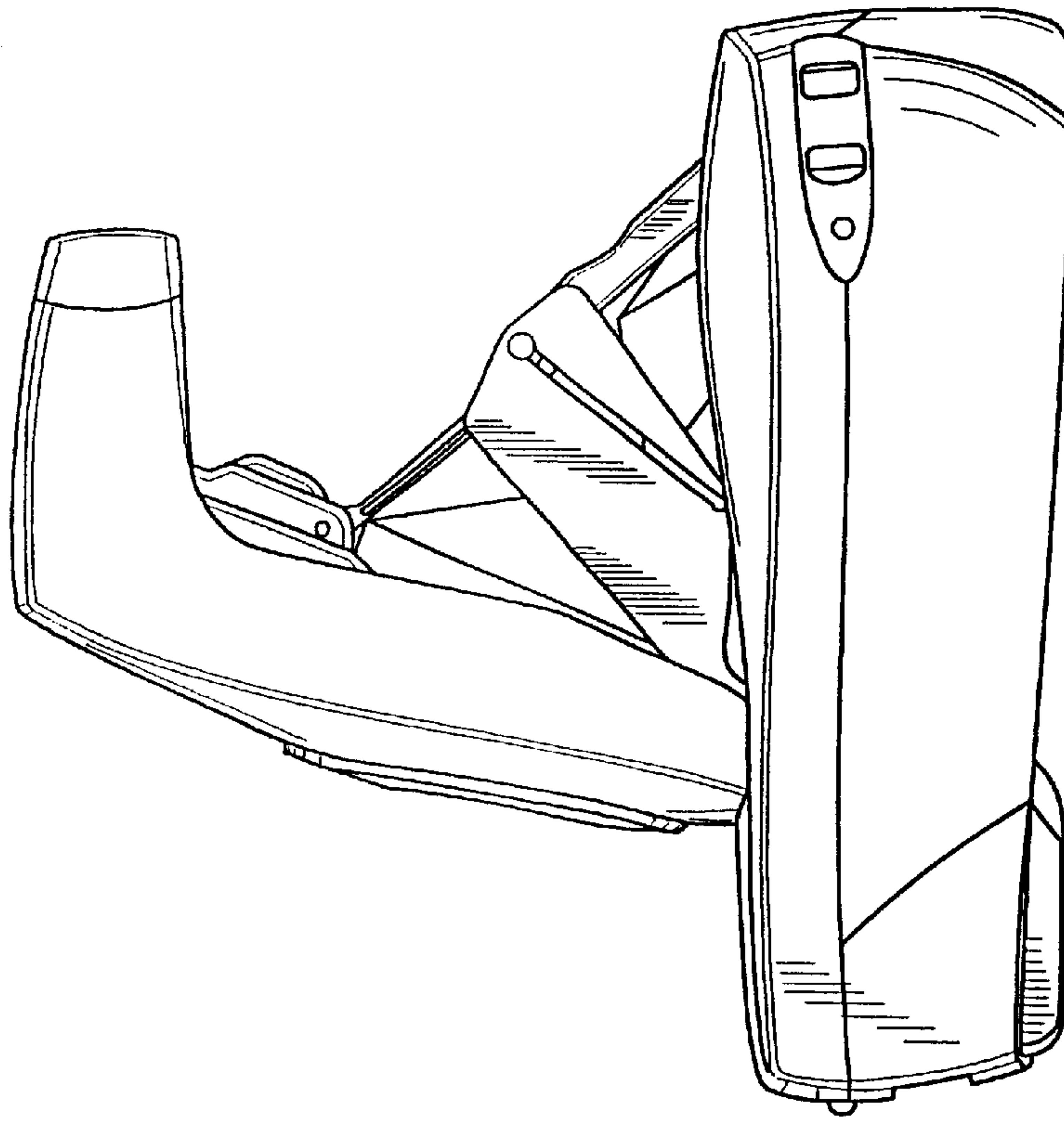


FIG. 5

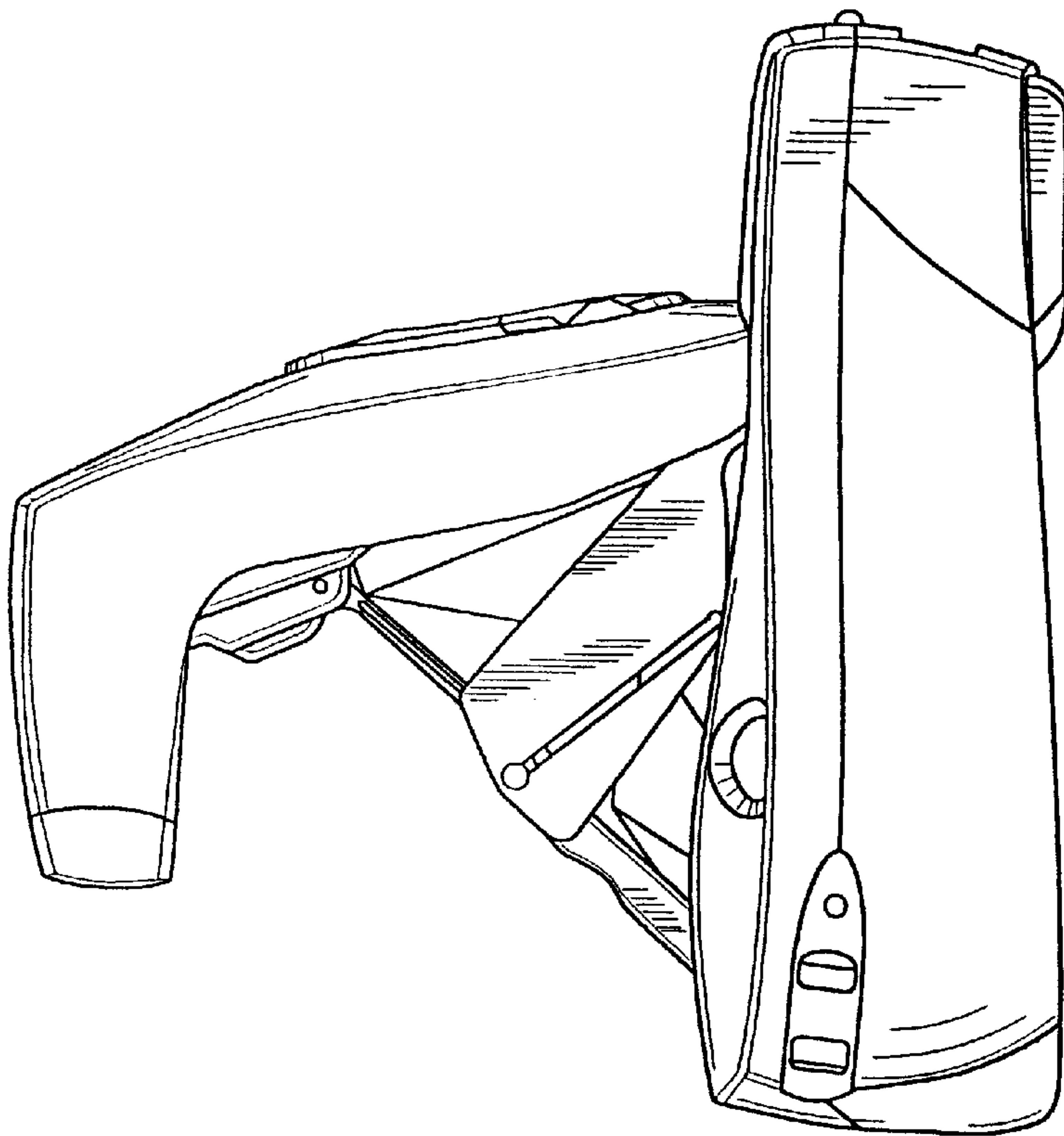


FIG. 4

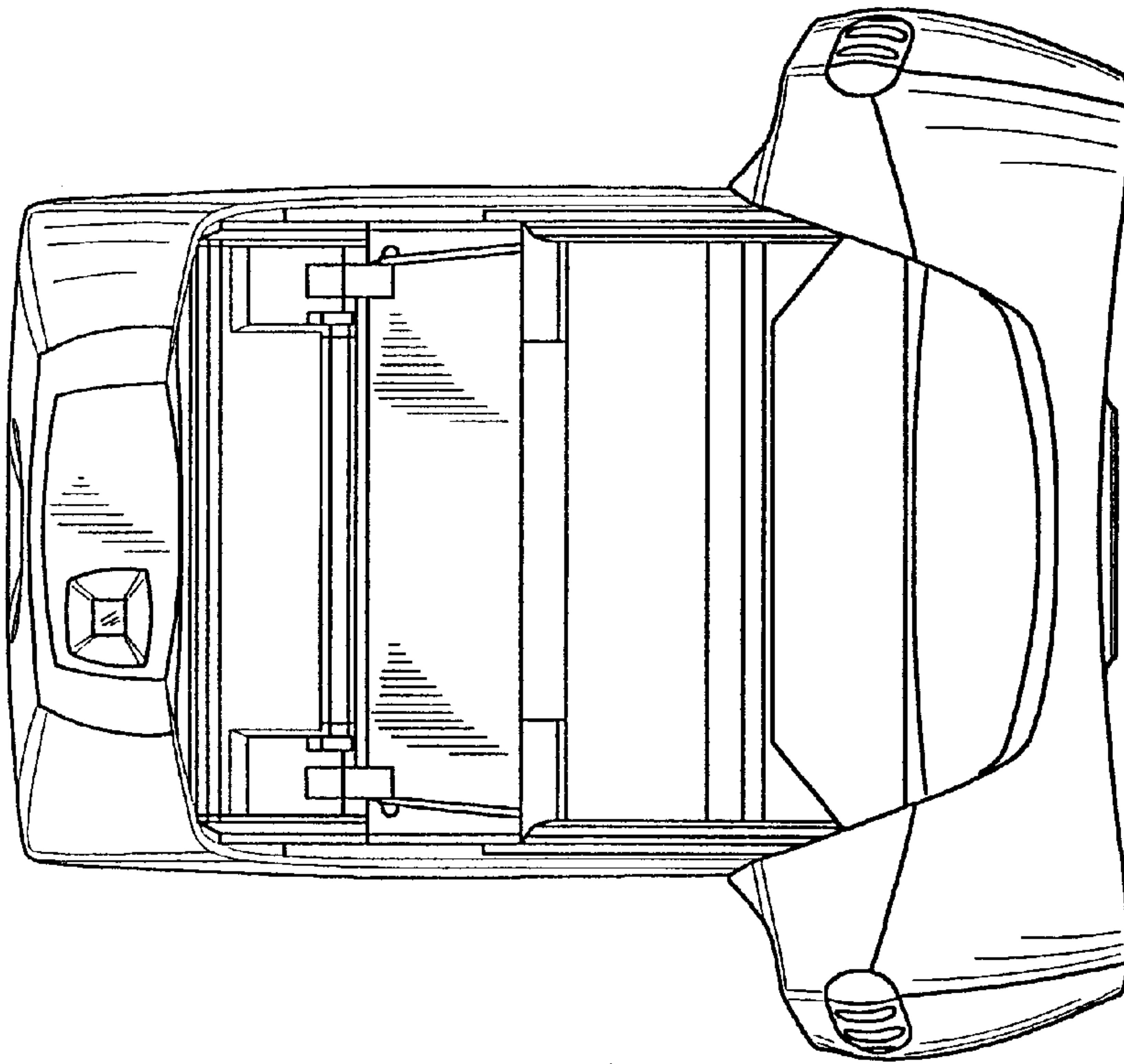


FIG. 7

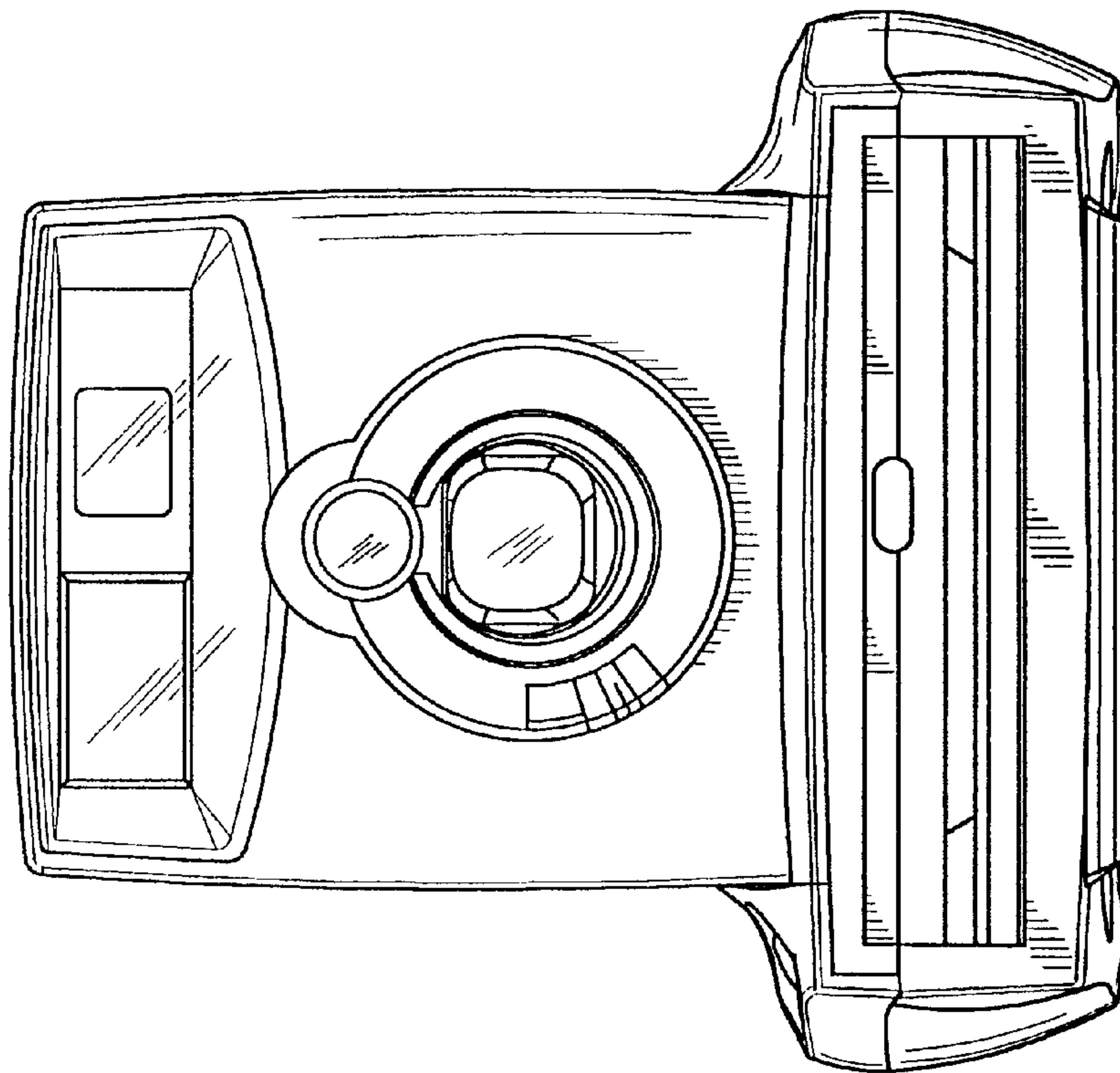


FIG. 6