



US00D463810S

(12) **United States Design Patent**
Suzuki et al.

(10) **Patent No.:** **US D463,810 S**

(45) **Date of Patent:** **** Oct. 1, 2002**

(54) **DIGITAL CAMERA**

(75) Inventors: **Tatsuya Suzuki**, Tokyo (JP); **Hiroshi Iue**, Tokyo (JP)

(73) Assignee: **Olympus Optical Co., Ltd.**, Tokyo (JP)

(**) Term: **14 Years**

(21) Appl. No.: **29/147,475**

(22) Filed: **Aug. 28, 2001**

(51) **LOC (7) Cl.** **16-01**

(52) **U.S. Cl.** **D16/202; D16/218**

(58) **Field of Search** **D16/200-204, D16/208, 209, 211, 212, 218, 219; 348/348, 349, 448**

(56) **References Cited**

U.S. PATENT DOCUMENTS

- D329,864 S * 9/1992 Kawagoe D16/218
- D369,372 S * 4/1996 Ishikawa et al. D16/218
- 5,913,089 A * 6/1999 Ebe 396/448
- D448,789 S * 10/2001 Matsumura D16/218

D449,324 S * 10/2001 Iue et al. D16/202

* cited by examiner

Primary Examiner—Adir Aronovich

(74) *Attorney, Agent, or Firm*—Hogan & Hartson, LLP

(57) **CLAIM**

The ornamental design for a digital camera, as shown and described.

DESCRIPTION

FIG. 1 is a front and top perspective view of a digital camera showing our new design;

FIG. 2 is a rear and bottom perspective view thereof;

FIG. 3 is a front elevational view thereof;

FIG. 4 is a rear elevational view thereof;

FIG. 5 is a top plan view thereof;

FIG. 6 is a bottom plan view thereof;

FIG. 7 is a right side elevational view thereof; and,

FIG. 8 is a left side elevational view thereof.

The broken lines shown in all views are to illustrate environment only and form no part of the claimed design.

1 Claim, 5 Drawing Sheets

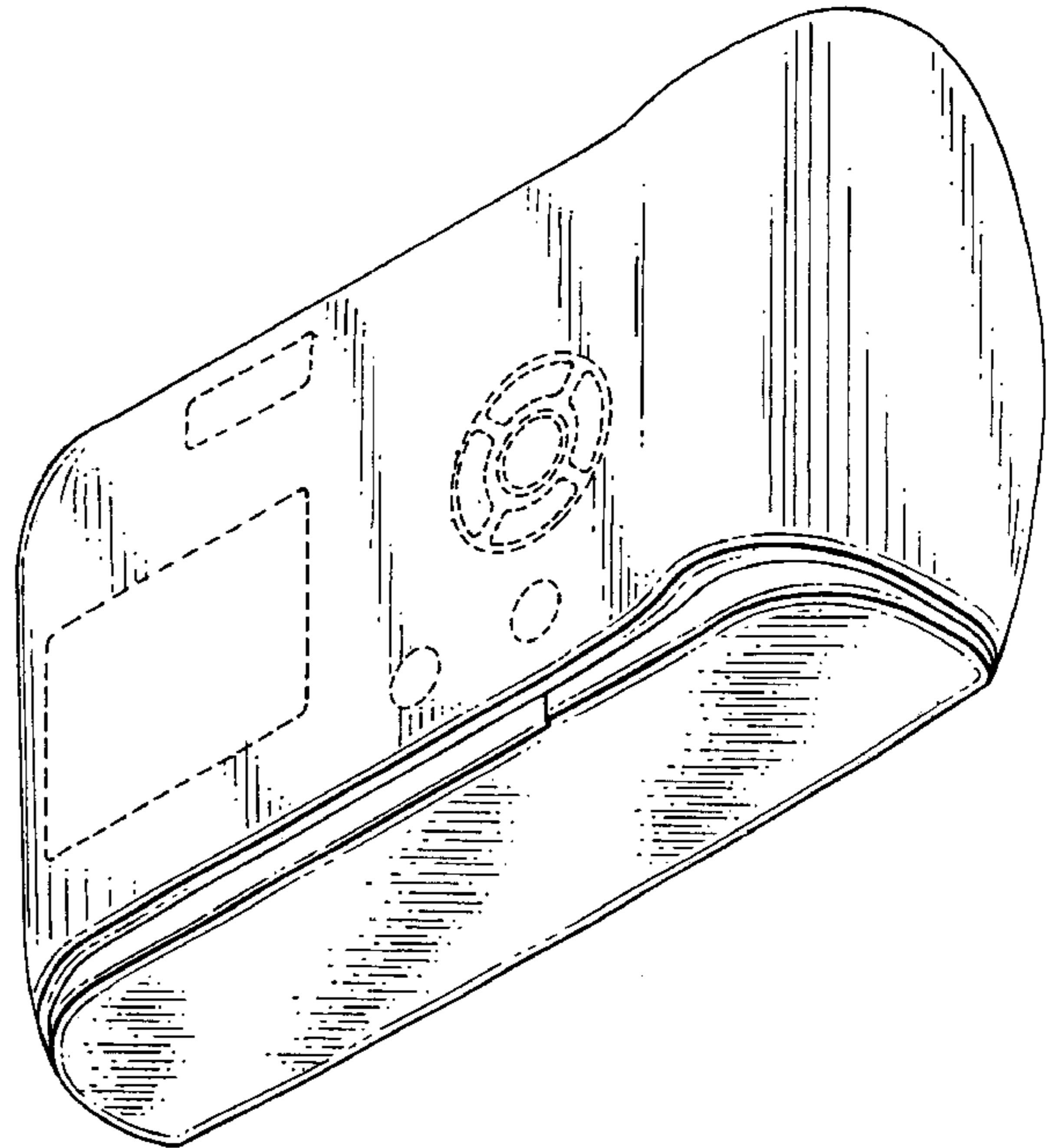
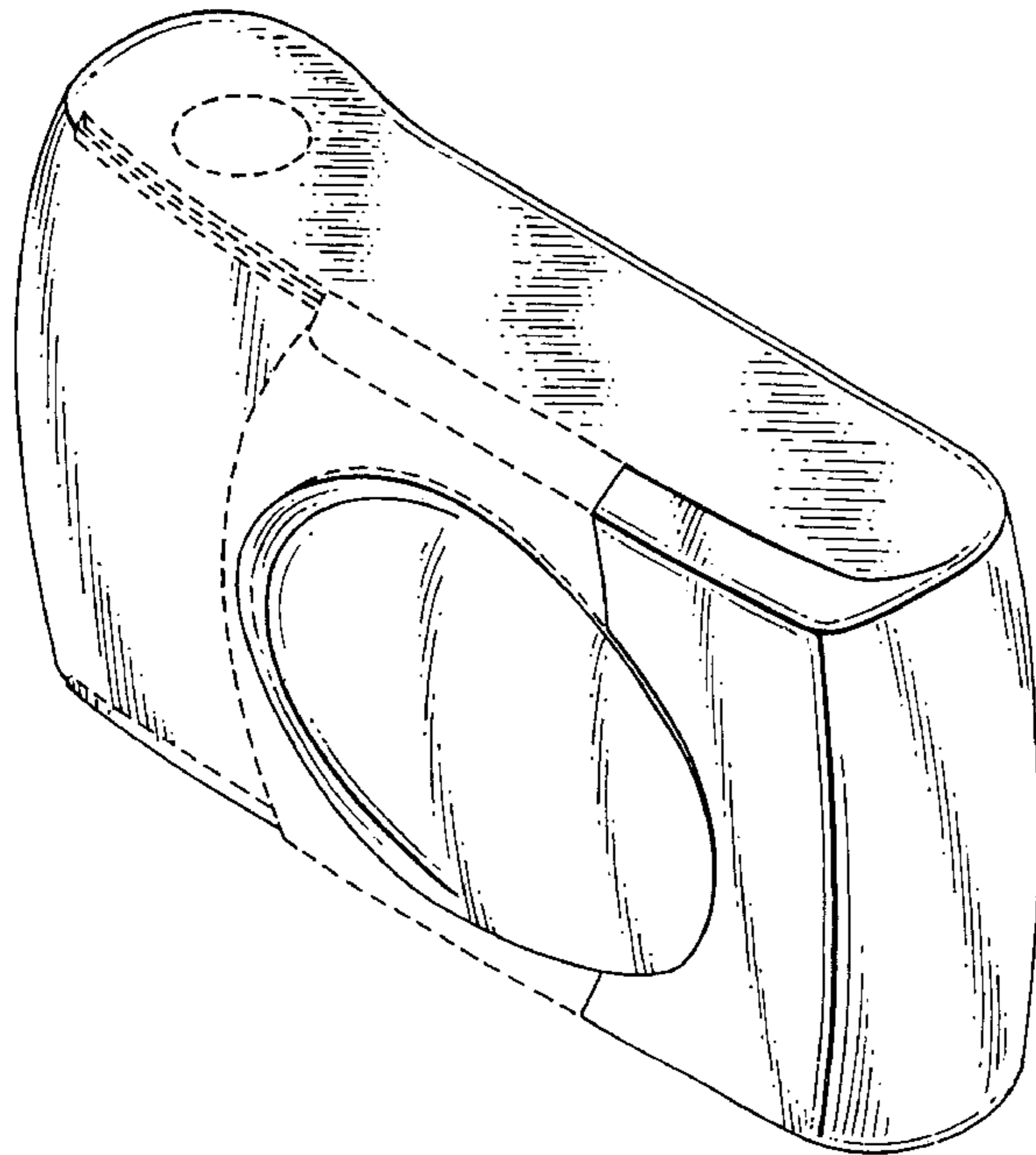


FIG. 1

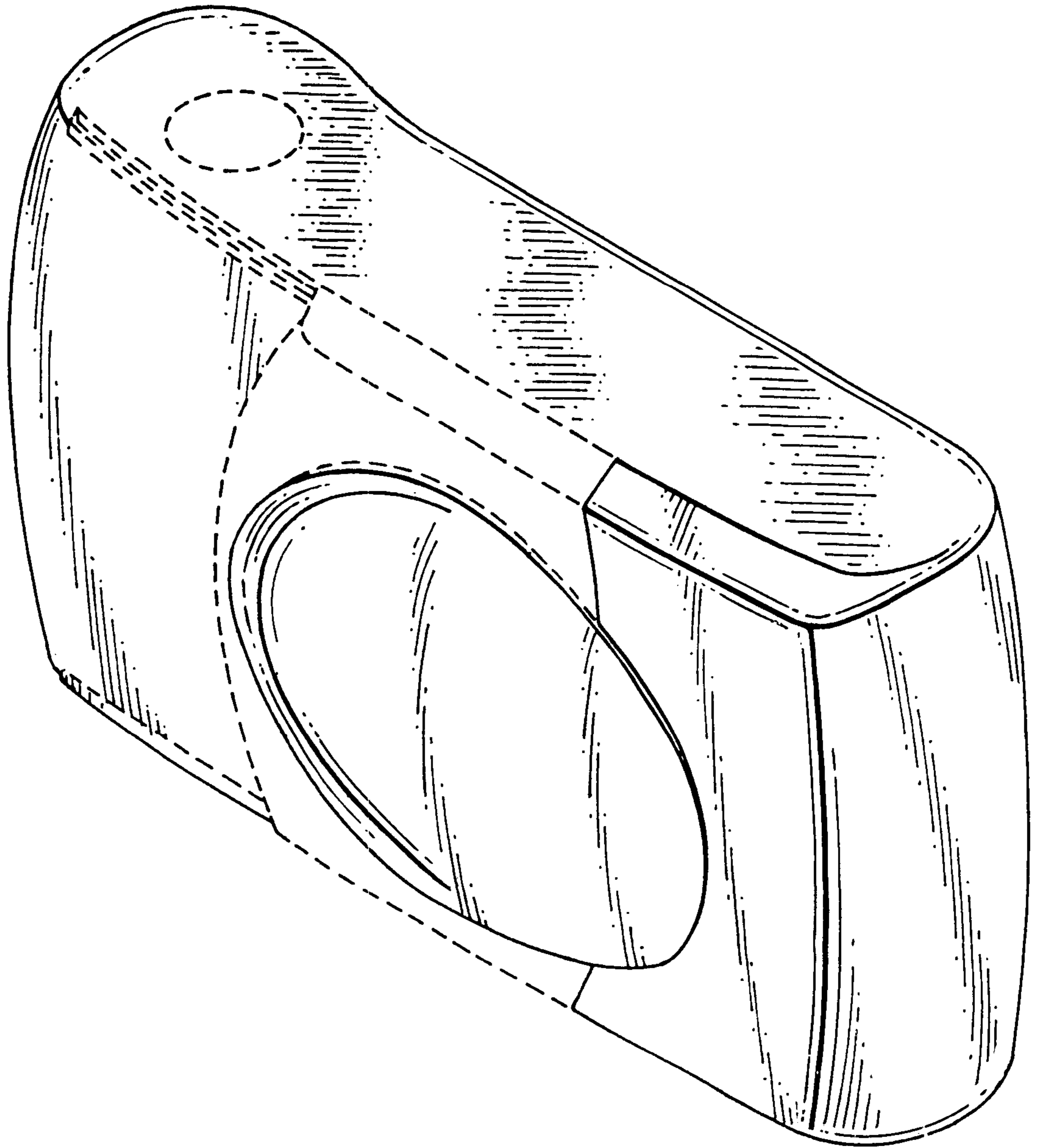


FIG. 2

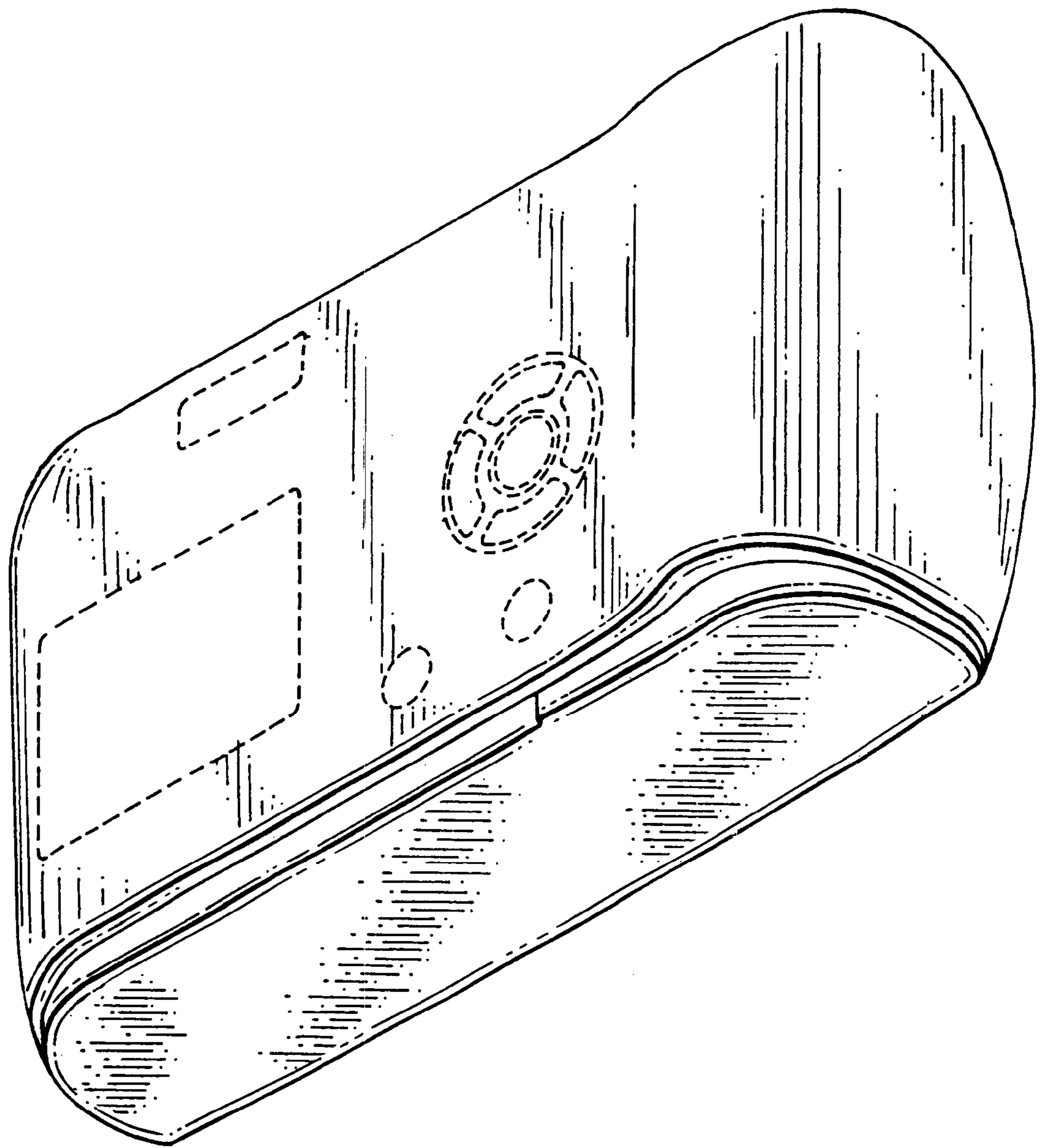


FIG. 3

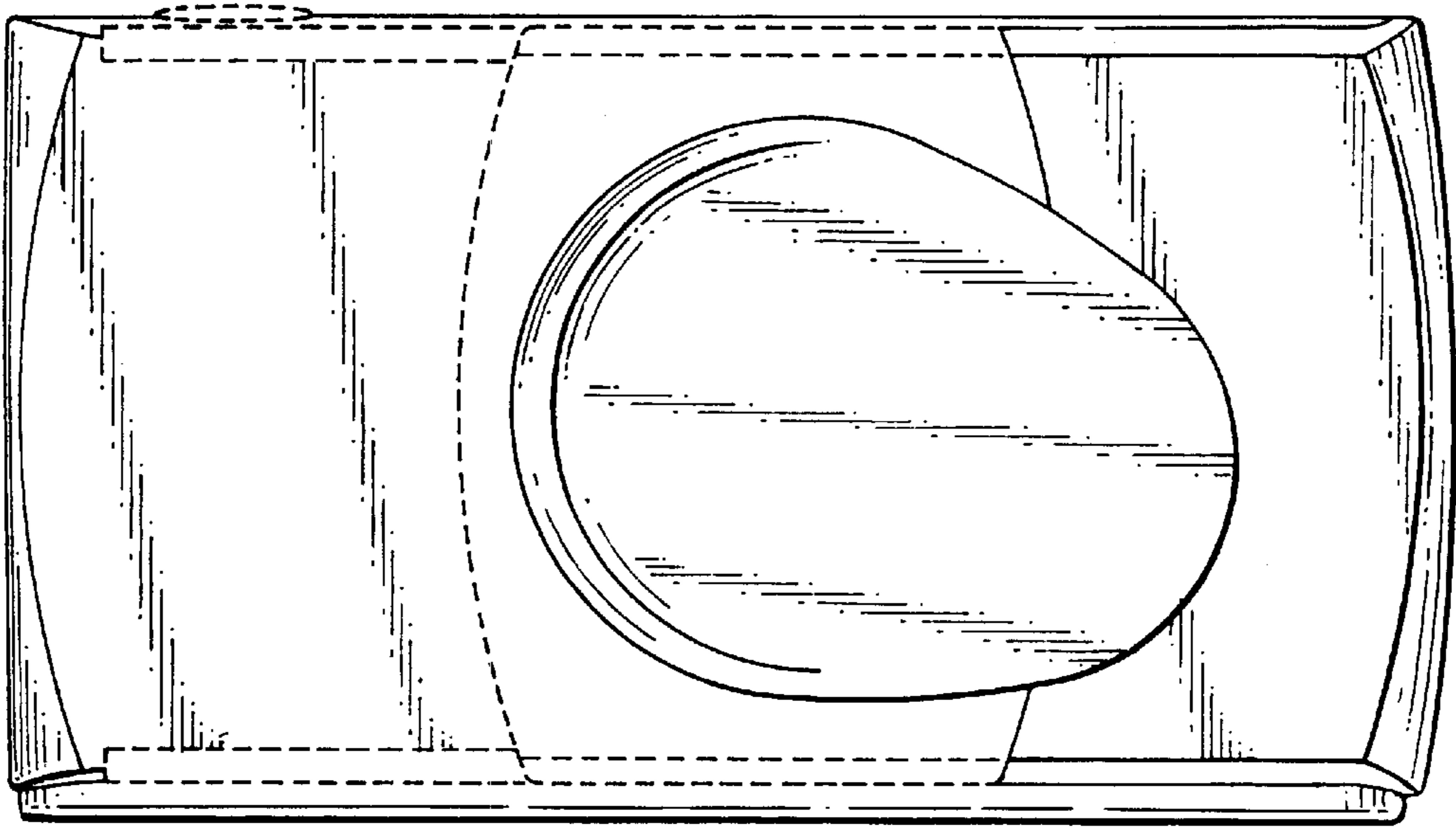


FIG. 4

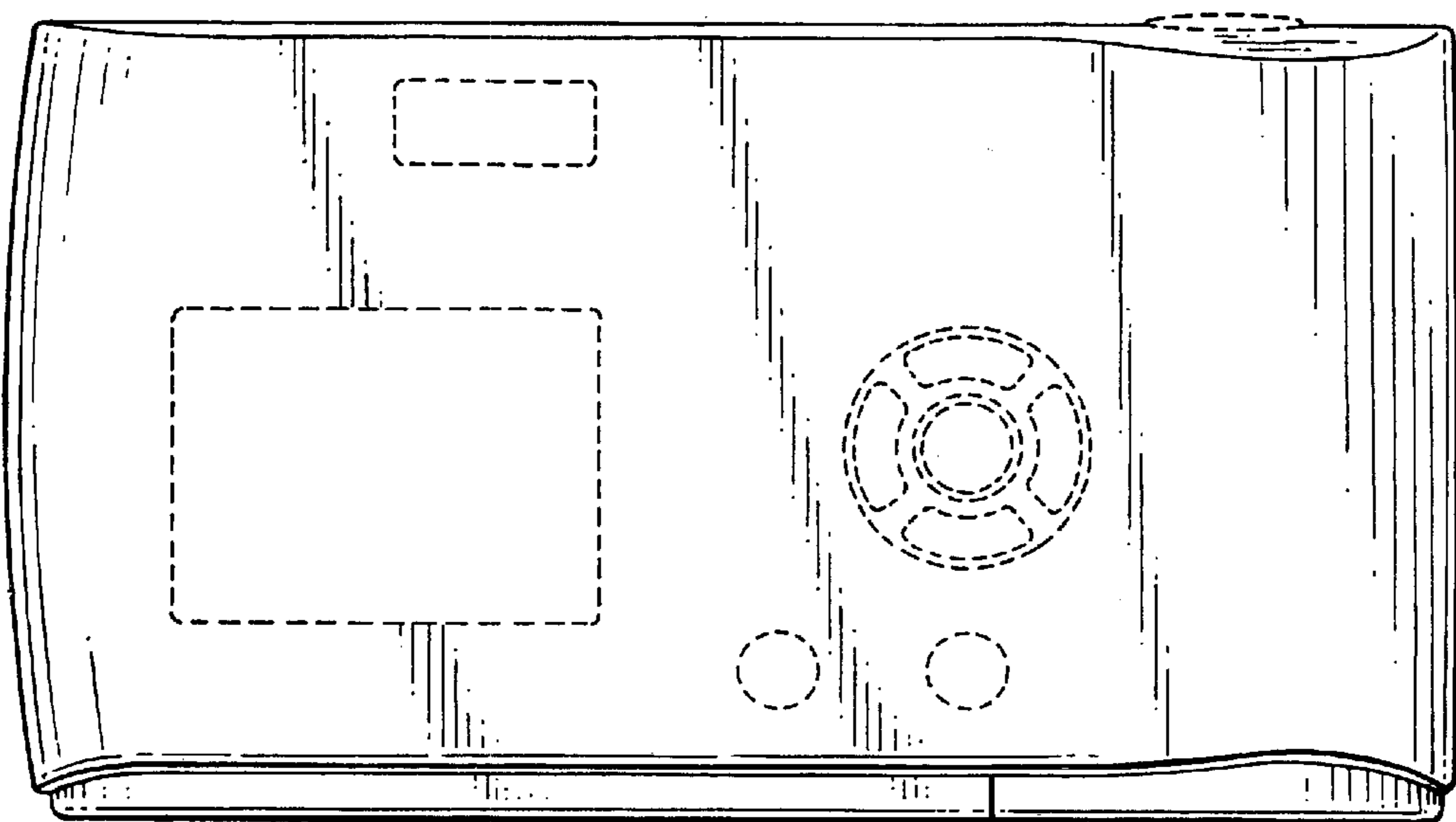


FIG. 5

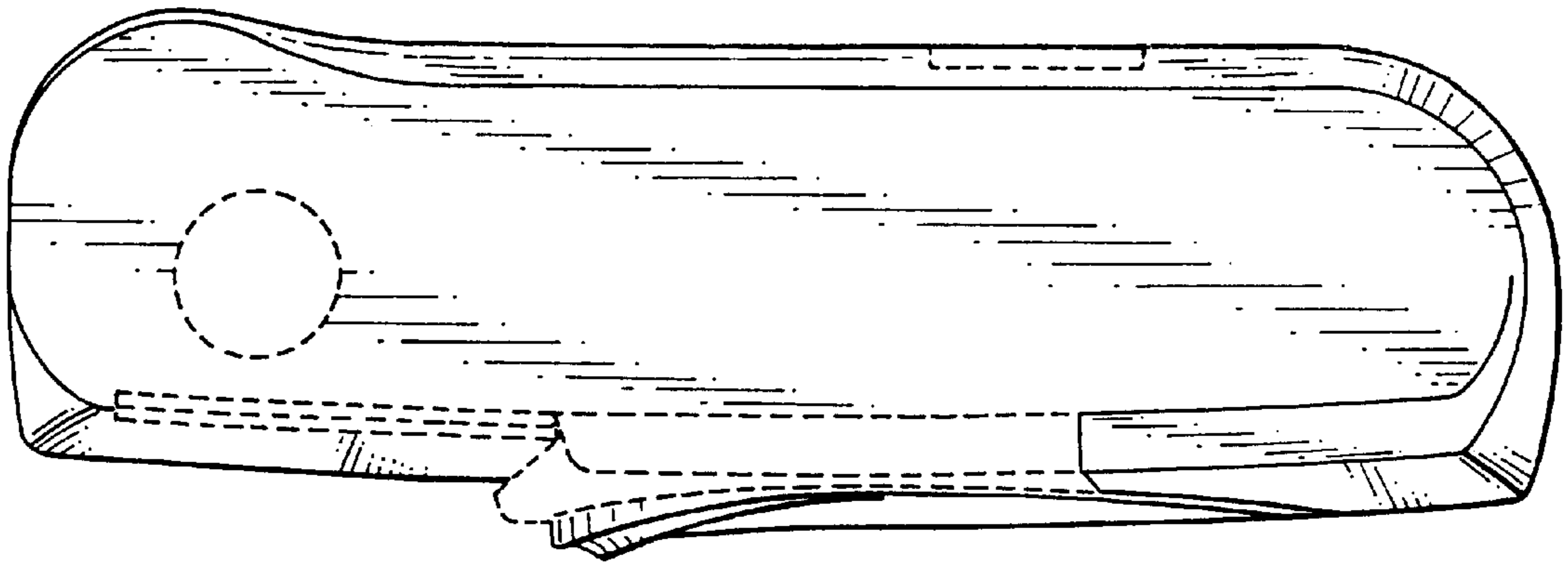


FIG. 6

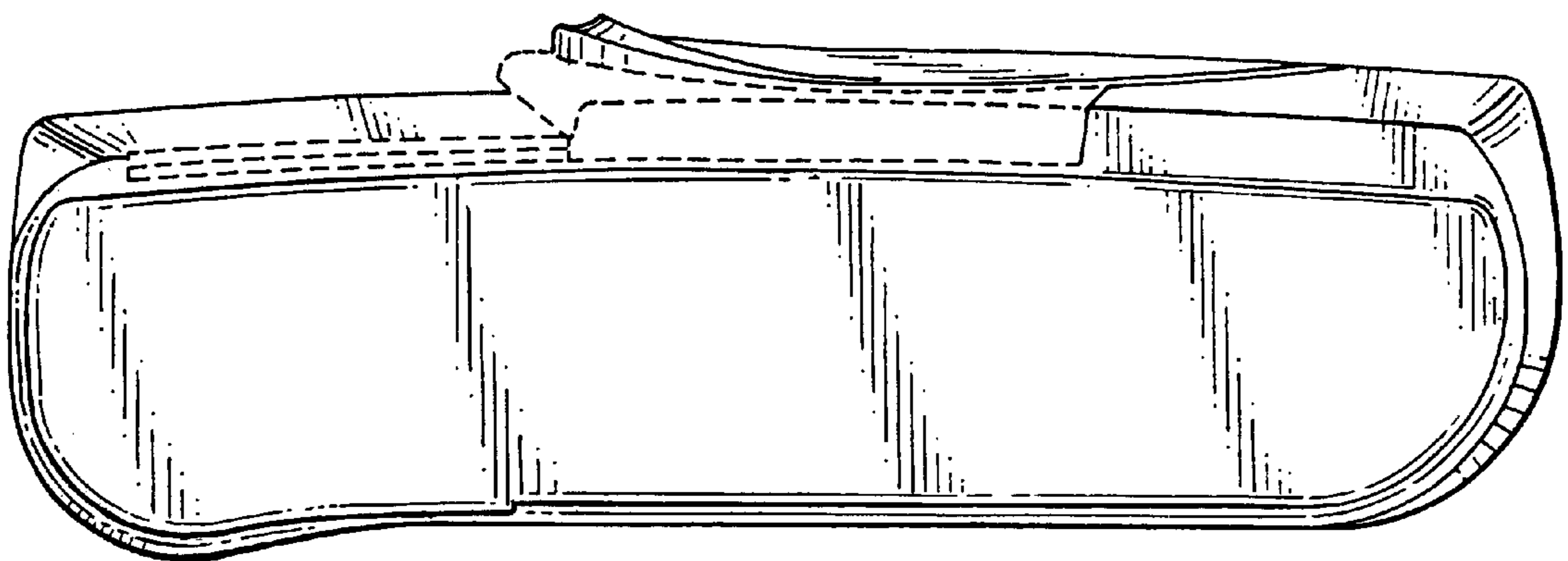


FIG. 7



FIG. 8

