



US00D463807S

(12) **United States Design Patent**
Tamaru et al.

(10) **Patent No.:** **US D463,807 S**

(45) **Date of Patent:** **** Oct. 1, 2002**

(54) **OPERATOR CABIN OF POWER SHOVEL**

(75) Inventors: **Masatake Tamaru**, Komatsu (JP);
Kenzo Kimoto, Komatsu (JP); **Masami Naruse**, Komatsu (JP); **Tetsuyuki Hirano**, Tokyo (JP)

(73) Assignee: **Komatsu Ltd.**, Tokyo (JP)

(**) Term: **14 Years**

(21) Appl. No.: **29/149,739**

(22) Filed: **Oct. 18, 2001**

(30) **Foreign Application Priority Data**

Apr. 19, 2001 (JP) 2001-011326

(51) **LOC (7) Cl.** **15-03**

(52) **U.S. Cl.** **D15/30**

(58) **Field of Search** D15/22-26, 28,
D15/30; 180/89.1, 89.12, 89.13; 296/190,
202; 414/788.2, 503, 914

(56) **References Cited**

U.S. PATENT DOCUMENTS

D203,498 S * 2/1974 Williams D15/30
5,577,795 A * 4/1995 Shinsen 296/190

D394,069 S * 5/1998 Muranen D15/30
D398,616 S * 9/1998 Kwak et al. D15/30
D427,612 S * 7/2000 Shim D15/23

* cited by examiner

Primary Examiner—Mitchell Siegel

(74) *Attorney, Agent, or Firm*—Kanesaka & Takeuchi

(57) **CLAIM**

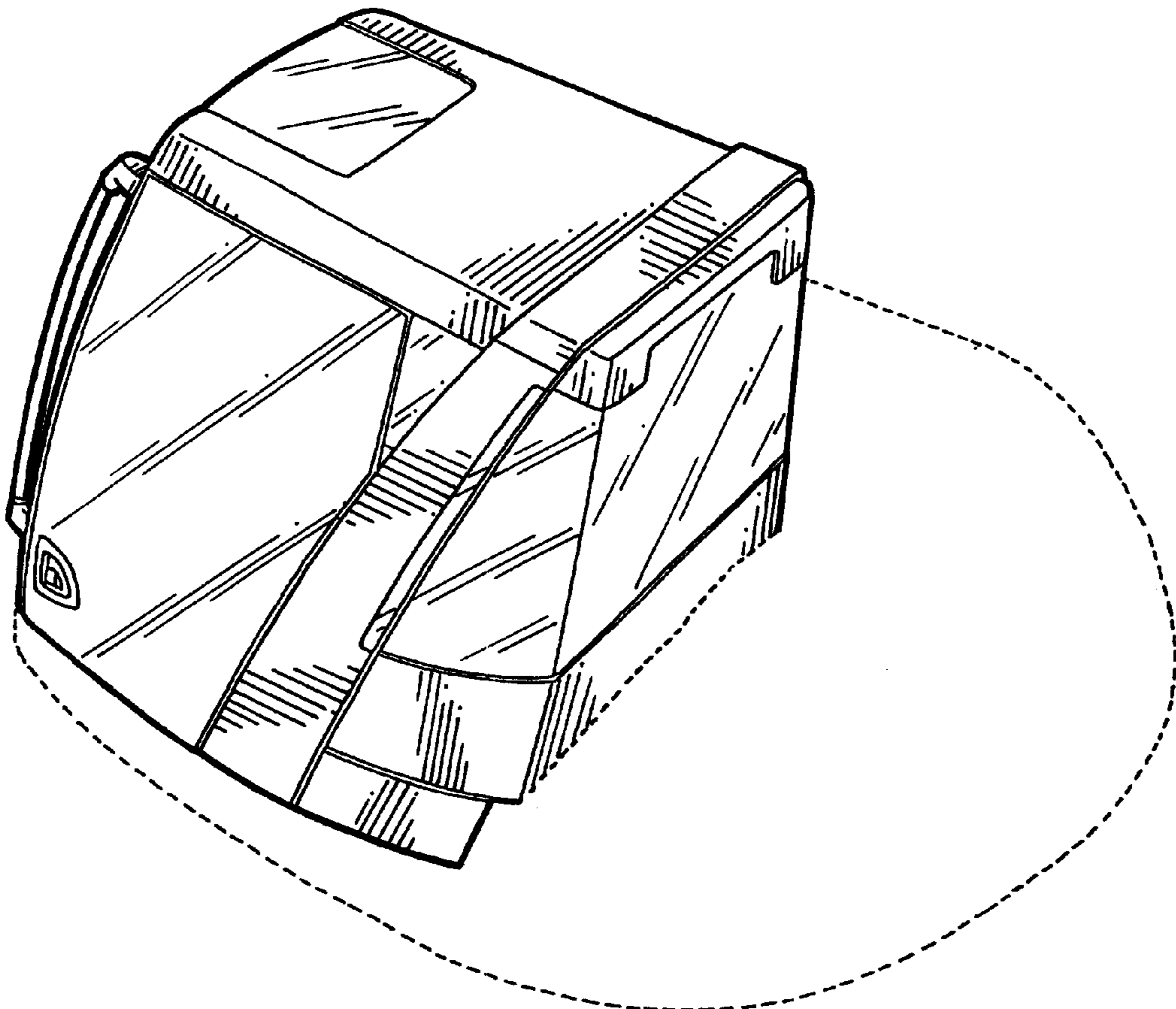
The ornamental design for an operator cabin of power shovel, as shown and described.

DESCRIPTION

FIG. 1 is a perspective view of an operator cabin of power shovel showing our new design;
FIG. 2 is a front view thereof;
FIG. 3 is a rear view thereof;
FIG. 4 is a left side view thereof;
FIG. 5 is a right side view thereof;
FIG. 6 is a top plan view thereof;
FIG. 7 is a bottom plan view thereof; and,
FIG. 8 is a cross sectional view taken along line 8—8 in FIG. 6.

The broken line showing is for illustrative purposes only and forms no part of the claimed design.

1 Claim, 4 Drawing Sheets



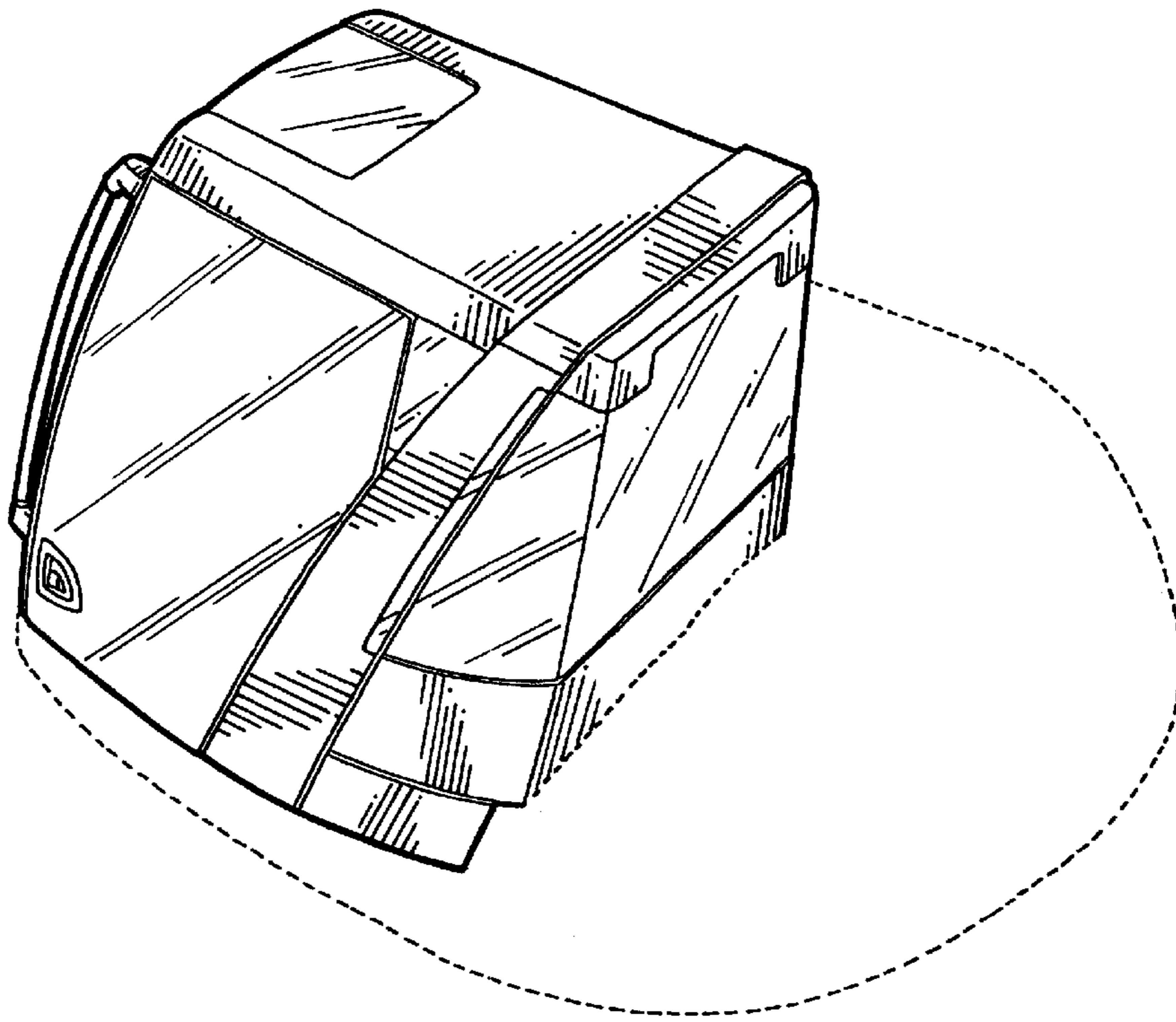


FIG. 1

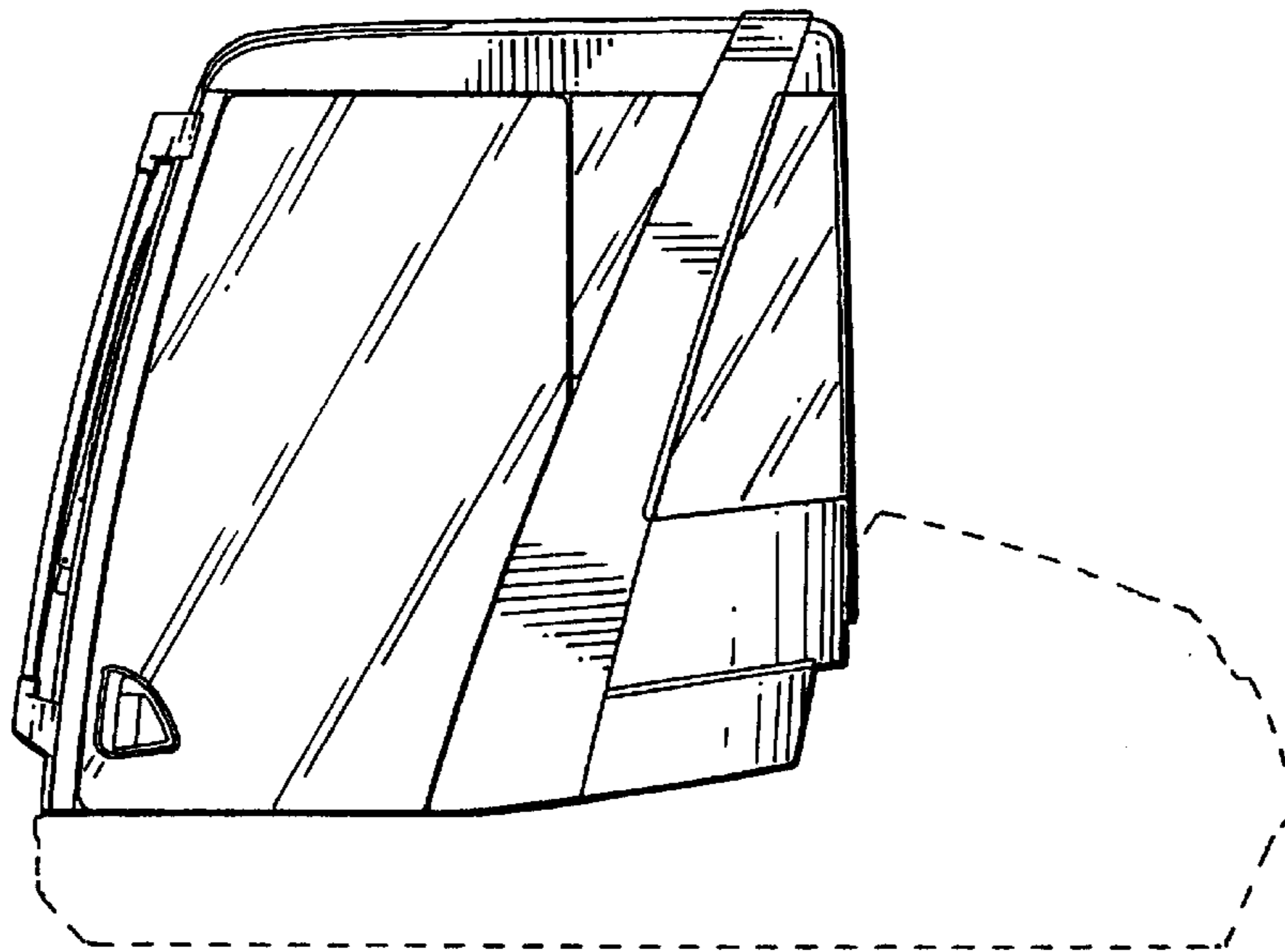


FIG. 2

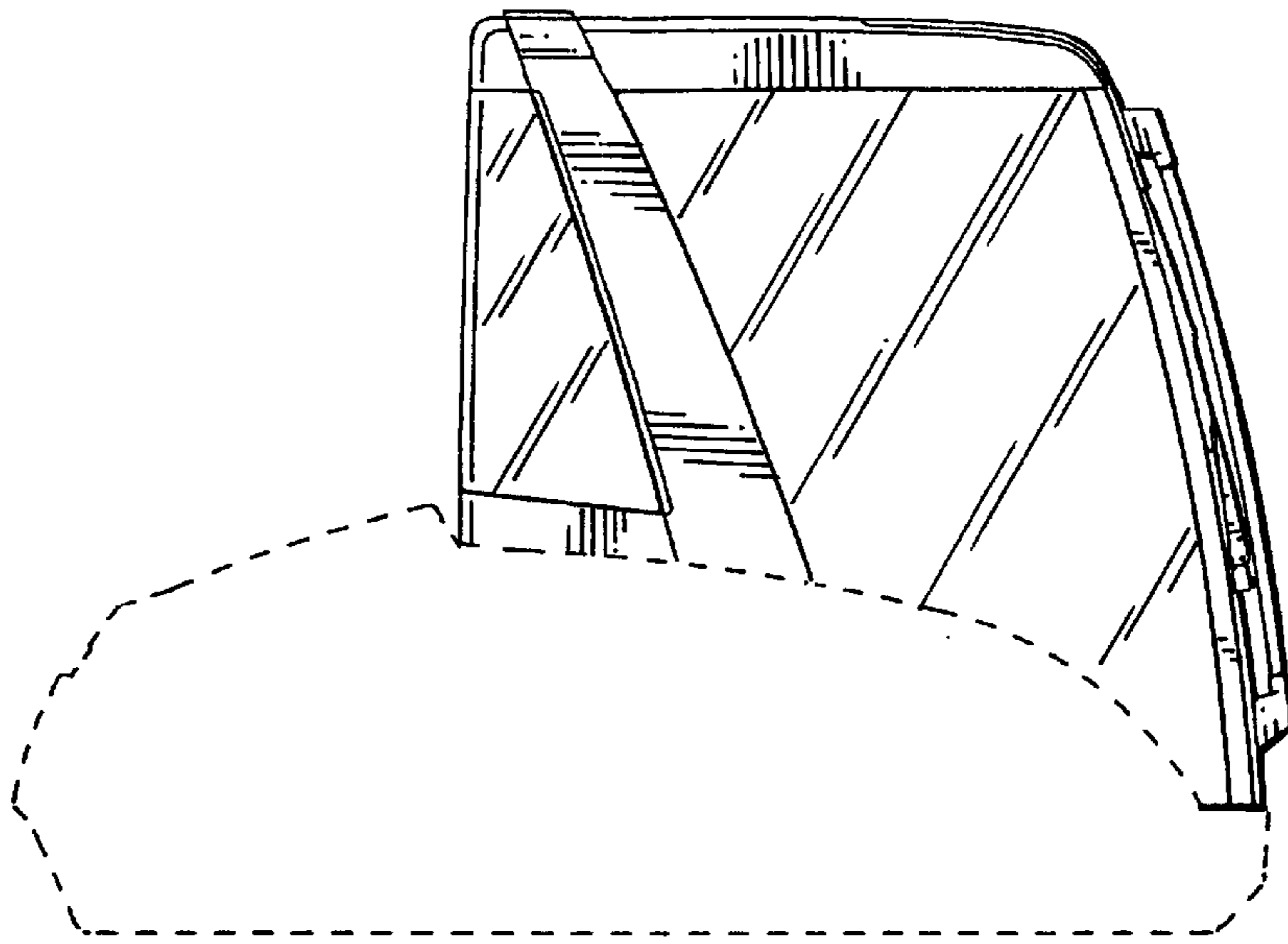


FIG. 3

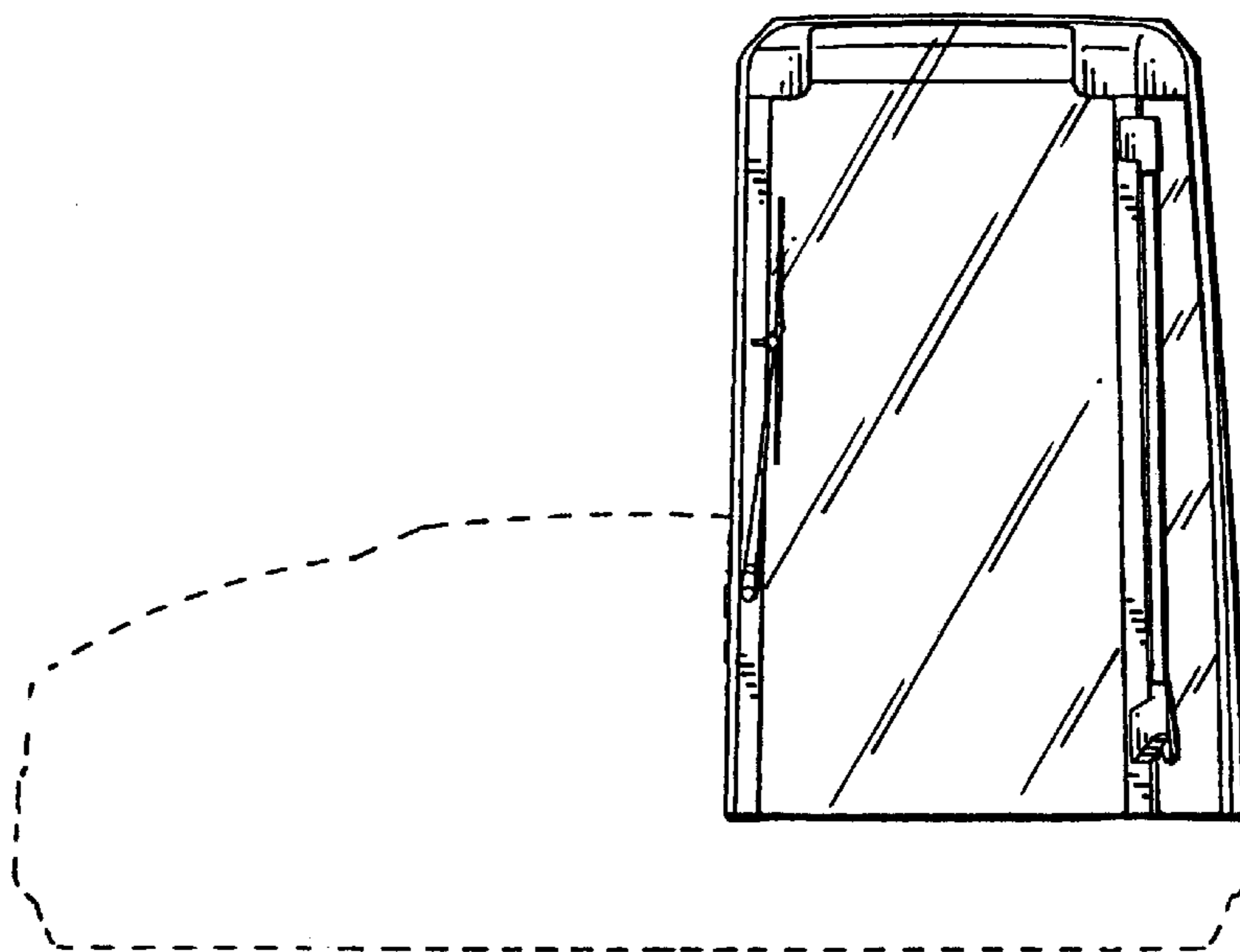


FIG. 4

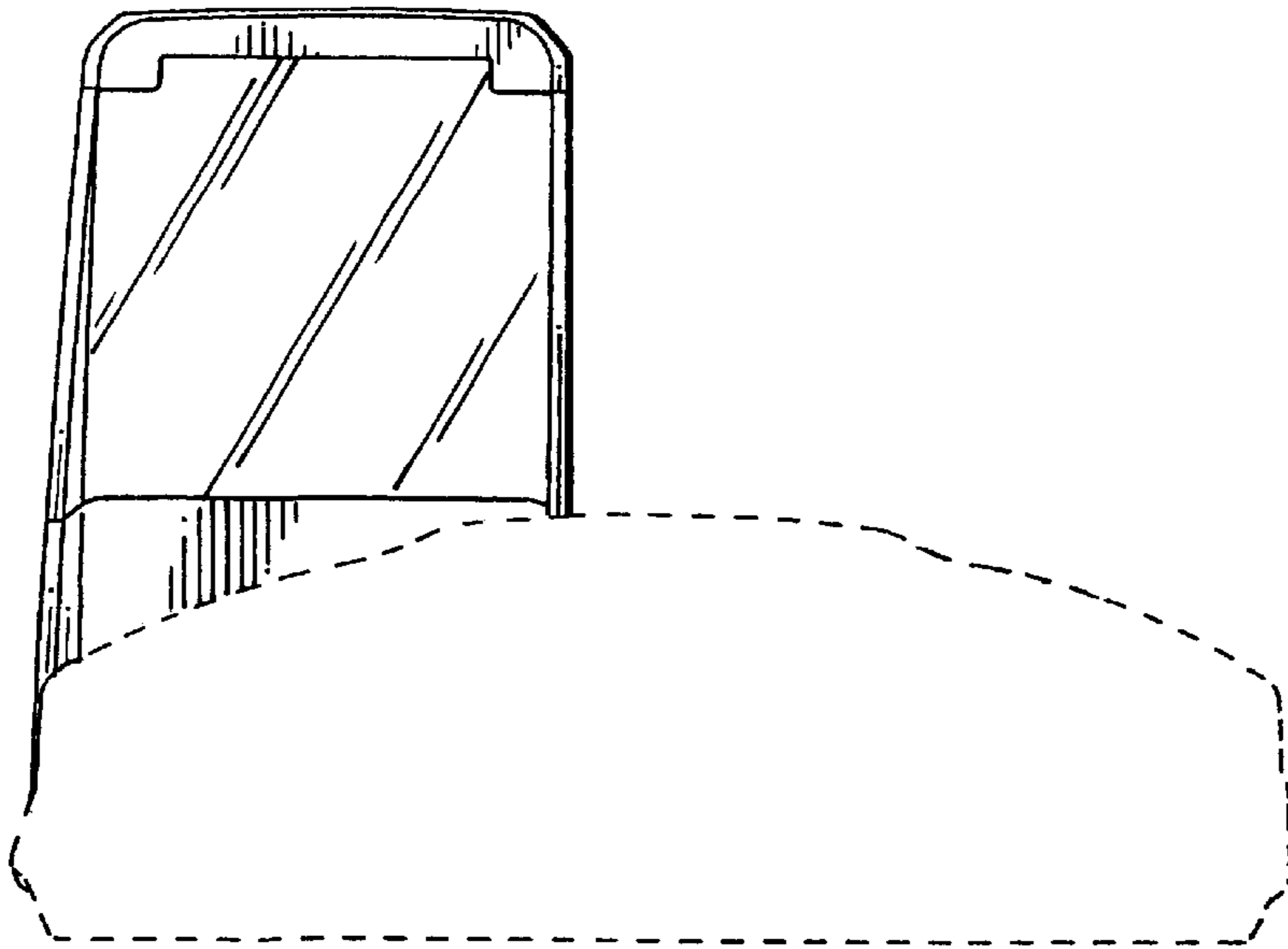


FIG. 5

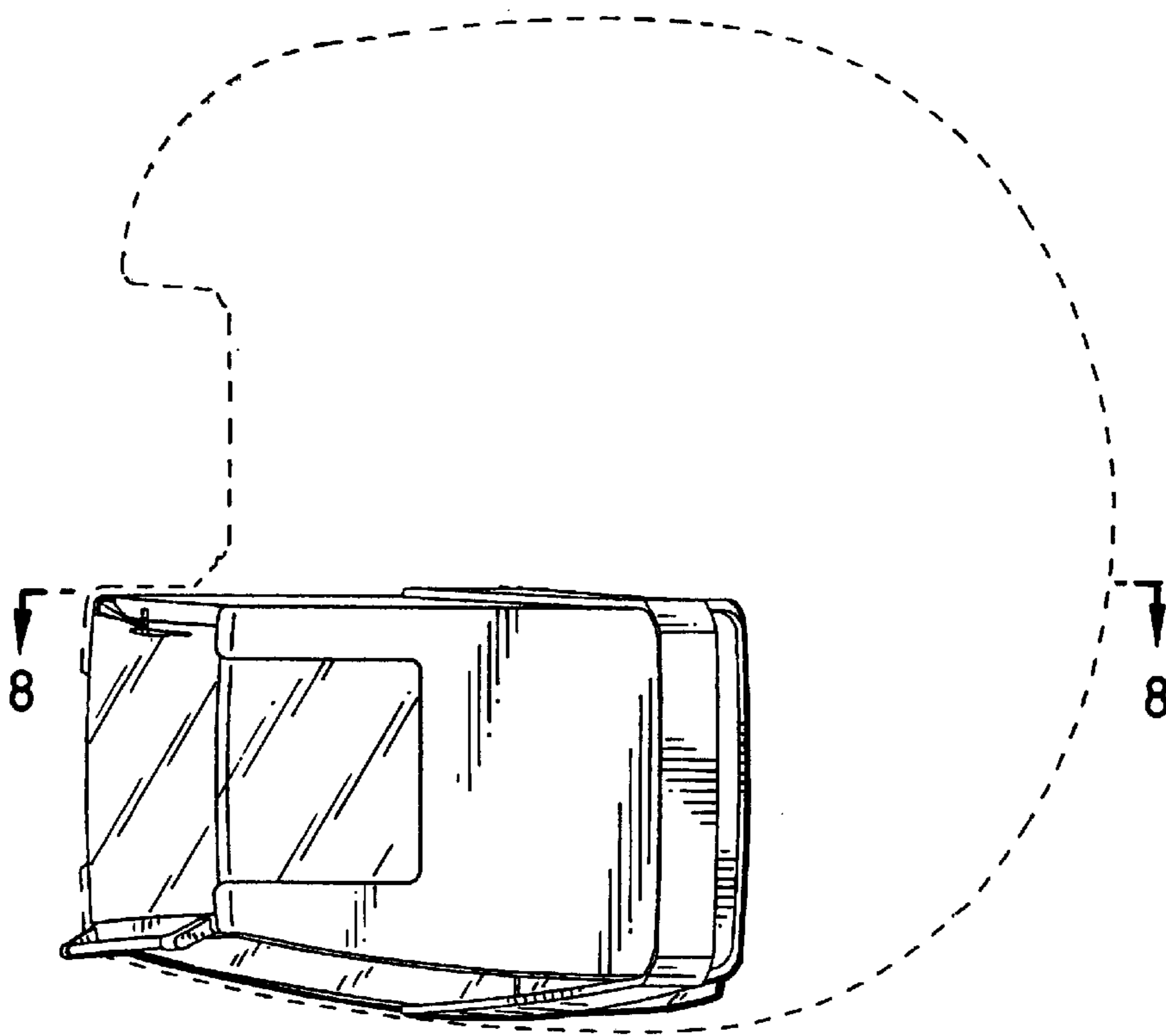


FIG. 6

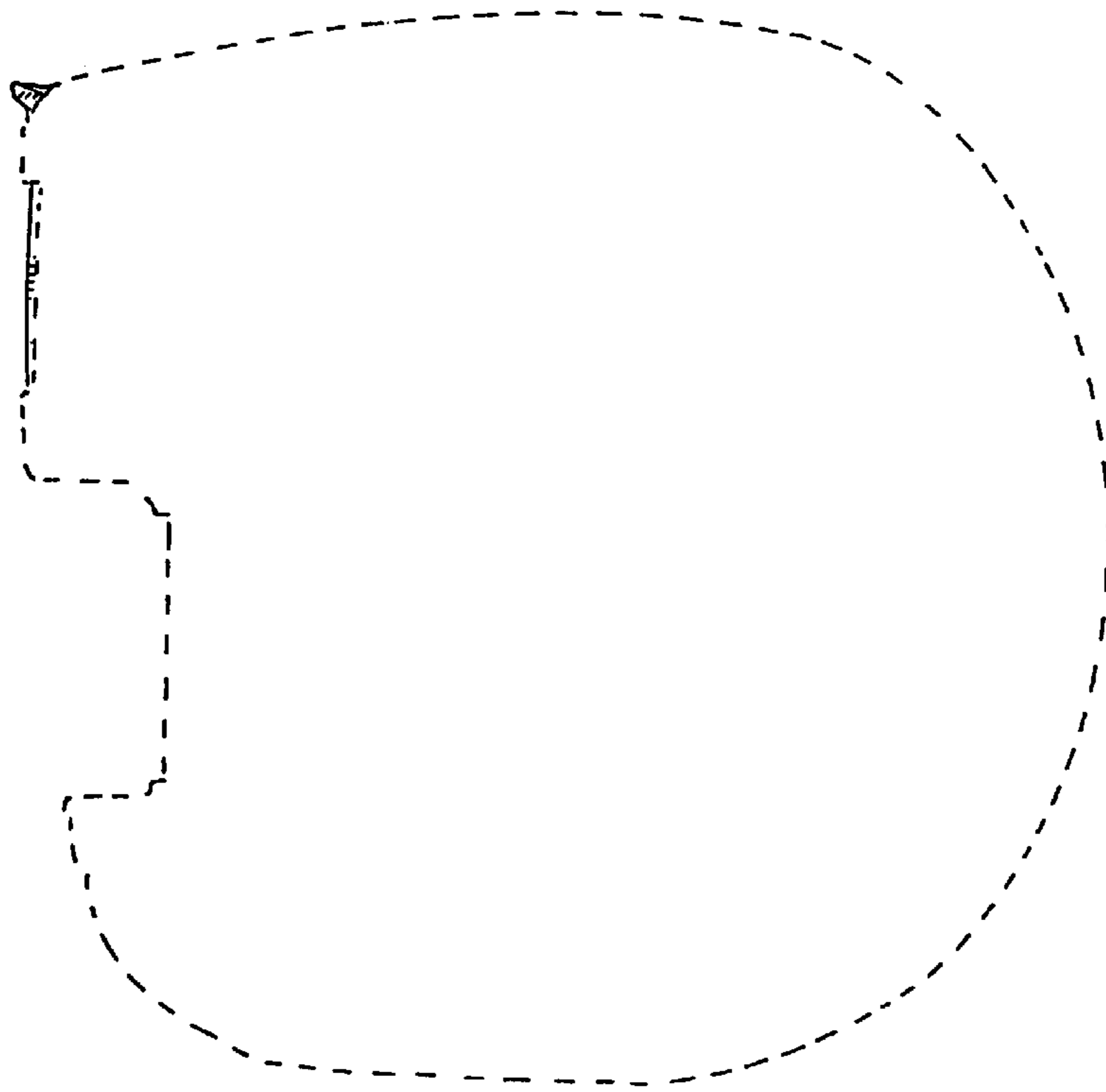


FIG. 7

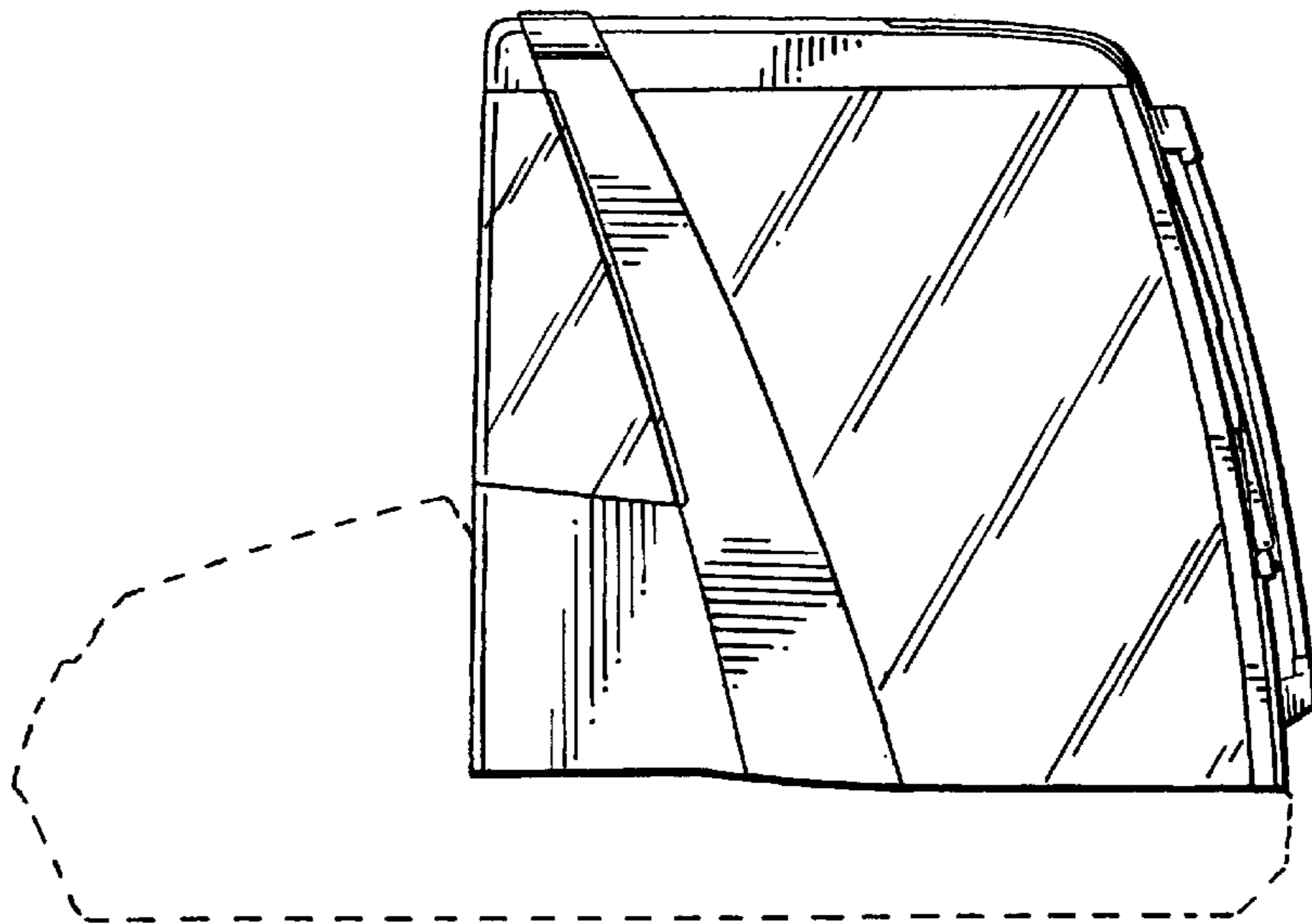


FIG. 8