



US00D463804S

(12) **United States Design Patent** (10) **Patent No.:** **US D463,804 S**
Porter et al. (45) **Date of Patent:** **** Oct. 1, 2002**

(54) **TRENCH BLADE FOR EARTH WORKING MACHINE**

(76) Inventors: **Roger D. Porter**, 7882 E. Highway 19, Loris, SC (US) 29569; **Jerome C. Burroughs**, P.O. Box 776, Loris, SC (US) 29569

(**) Term: **14 Years**

(21) Appl. No.: **29/148,692**

(22) Filed: **Sep. 25, 2001**

(51) **LOC (7) Cl.** **15-03**

(52) **U.S. Cl.** **D15/11**

(58) **Field of Search** D15/11, 12, 28, D15/29, 32; 172/260, 256, 250, 770, 730, 34, 42, 43, 112; 180/53.1; 37/94, 189

(56) **References Cited**

U.S. PATENT DOCUMENTS

917,821 A	4/1909	White	
2,792,900 A	5/1957	Howard	180/53.1
2,903,077 A	9/1959	Kamlukin	172/42
2,928,479 A	3/1960	Petersen	172/16
2,997,276 A	8/1961	Davis	254/166
3,132,539 A	5/1964	Hotz	74/792
3,442,335 A	5/1969	Silbereis et al.	172/43
3,496,973 A	2/1970	Ballard	143/133
4,002,205 A	1/1977	Falk	172/15
4,043,399 A	8/1977	Morrison	172/42
4,094,362 A	6/1978	Hild	172/120
D249,518 S	9/1978	Cognata et al.	D15/12
4,188,934 A	2/1980	Reinhardt et al.	125/4
4,346,764 A	8/1982	Rossi	172/42
4,421,178 A	12/1983	Vandelli et al.	172/548
4,503,630 A	3/1985	Riley	37/94
D280,824 S	10/1985	Mikado	D15/12
4,545,438 A	10/1985	Giovanni	172/123
D287,132 S	12/1986	Forbes	D15/29
4,625,810 A	12/1986	Edmission	172/749
4,640,366 A	2/1987	Saito	172/42.1
D297,238 S	8/1988	Horikawa et al.	D15/11
4,825,569 A	5/1989	Porter	37/142.5

4,914,840 A	4/1990	Porter	37/142.5
4,939,854 A	7/1990	Boren	37/94
4,958,457 A	9/1990	Doskocil	37/94
4,979,573 A	12/1990	Williamson	172/15
5,009,270 A	4/1991	Vangsgard	172/42
5,226,248 A	7/1993	Pollard	37/94
5,228,221 A	7/1993	Hillard et al.	37/355
5,320,451 A	6/1994	Garvey et al.	405/181

(List continued on next page.)

FOREIGN PATENT DOCUMENTS

SU 1082908 A 3/1984

OTHER PUBLICATIONS

E-Z Trench Brochure Showing J-3000 Ground Saw; J-1000; BE-1000 Bedder Edger; and TX-1000/500. E-Z Trench Brochure Showing Ground Saw J-3000.

Primary Examiner—Mitchell Siegel

(74) *Attorney, Agent, or Firm*—Leatherwood Walker Todd & Mann, P.C.

(57) **CLAIM**

The ornamental design for a trencher blade for earth working machine, as shown and described.

DESCRIPTION

FIG. 1 is a left perspective view of our trencher blade design of our invention shown installed on an earth working machine;

FIG. 2 is a bottom perspective view thereof;

FIG. 3 is a top, left perspective view of the trencher blade;

FIG. 4 is a left-side elevational view thereof;

FIG. 5 is a plan view thereof;

FIG. 6 is a right-side elevational view thereof;

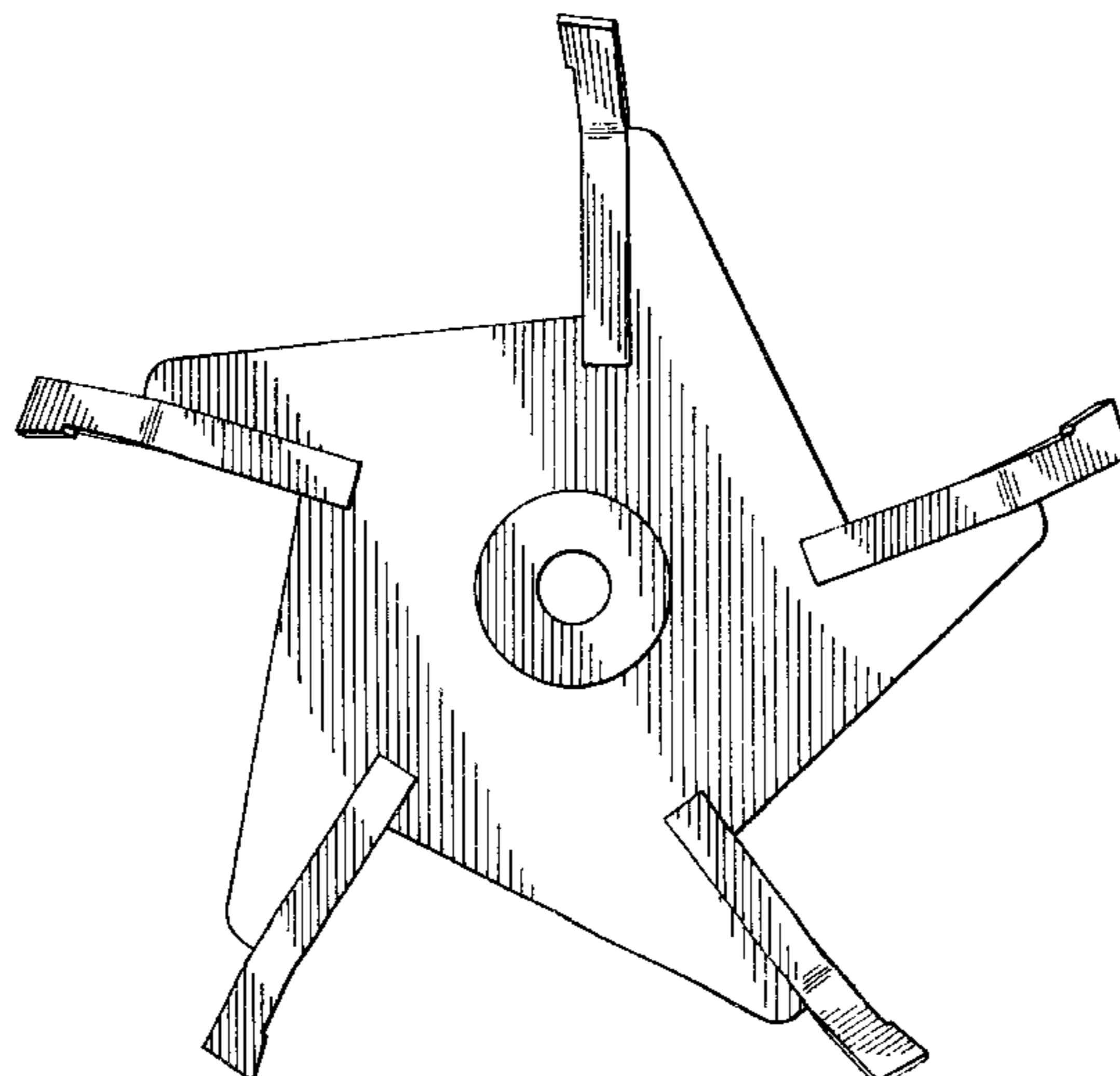
FIG. 7 is a bottom plan view thereof;

FIG. 8 is a rear elevational view thereof; and,

FIG. 9 is a front elevational view thereof.

The broken lines showing an earth working machine in FIGS. 1 through 3 and the area within are environmental only and form no part of the claimed design.

1 Claim, 4 Drawing Sheets



US D463,804 S

Page 2

U.S. PATENT DOCUMENTS			
		D416,026 S	11/1999 Ohsumi et al. D15/12
		D451,930 S	* 12/2001 Burroughs et al. D15/11
5,355,597 A	10/1994	Pollard 37/94
5,499,686 A	3/1996	Parker 172/730
D415,173 S	10/1999	Zaun D15/29

* cited by examiner

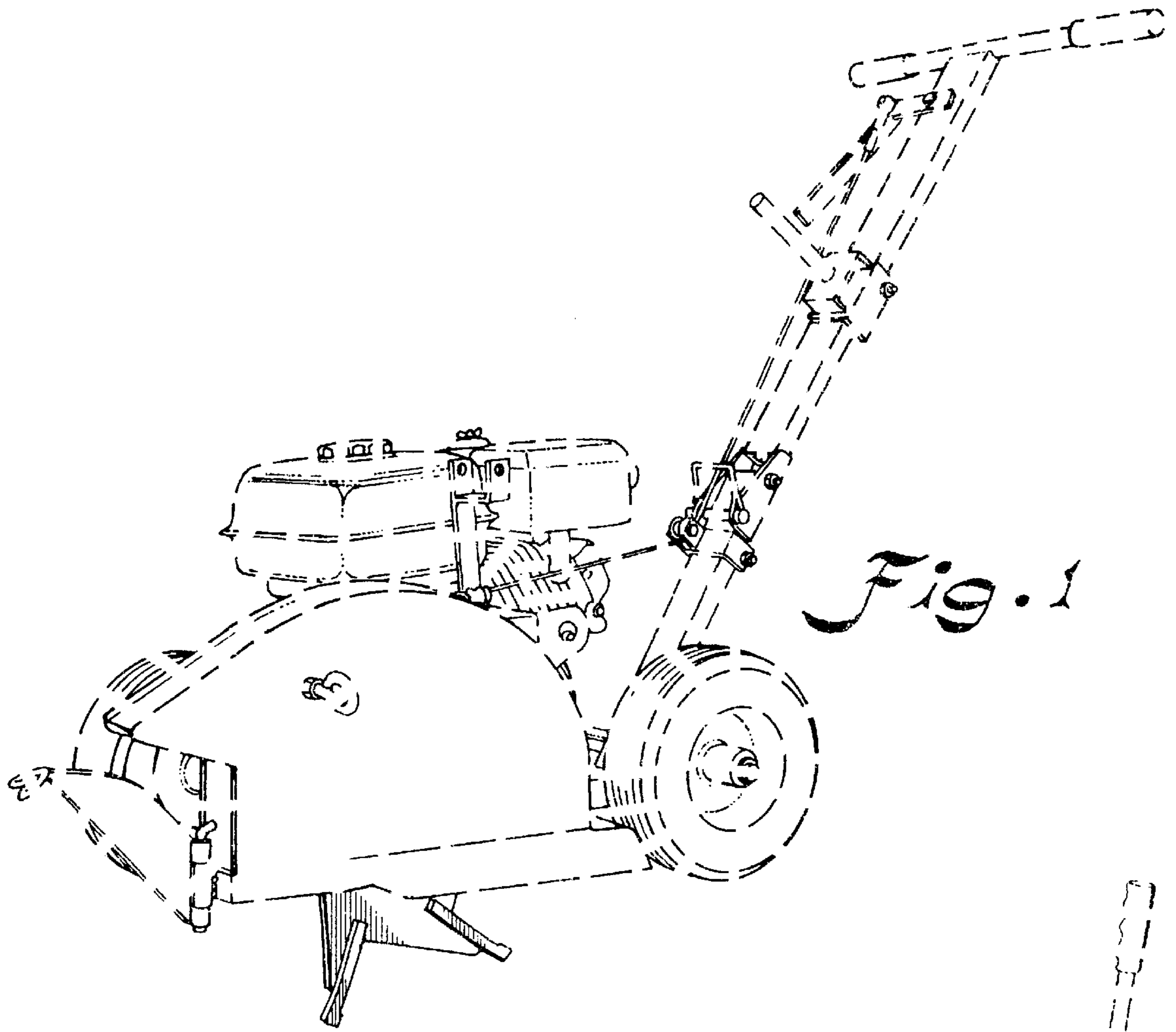


Fig. 1

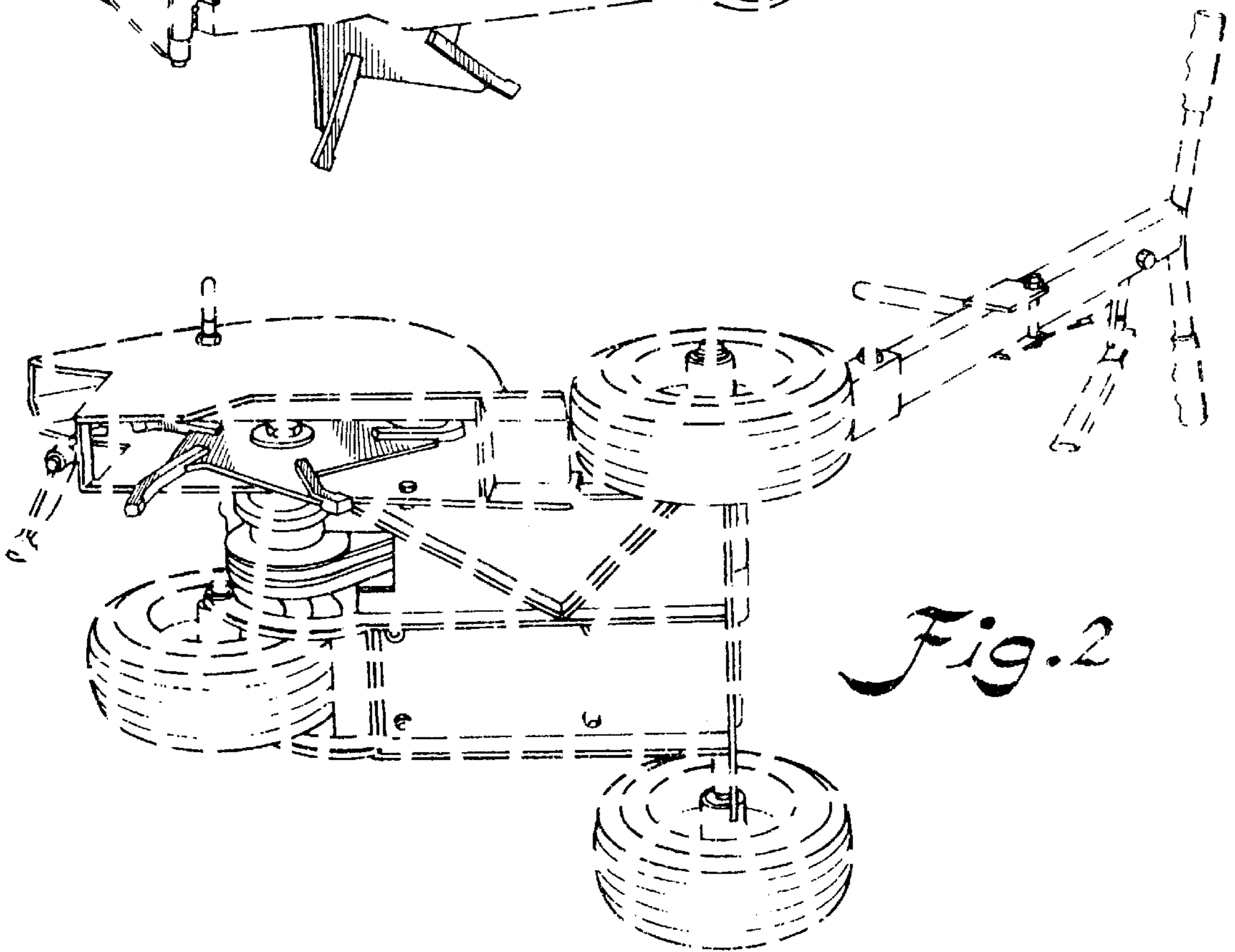


Fig. 2

Fig. 3

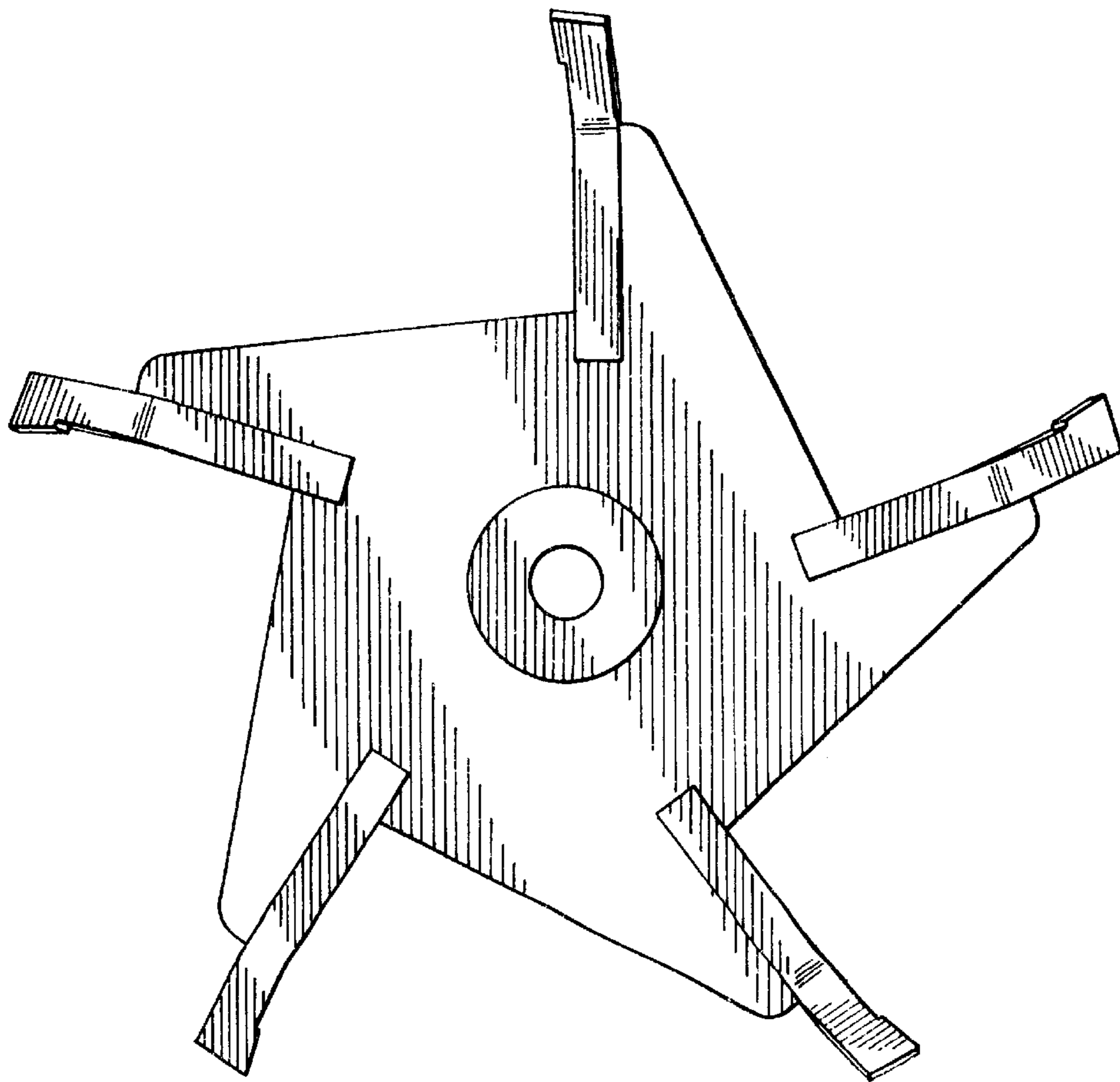
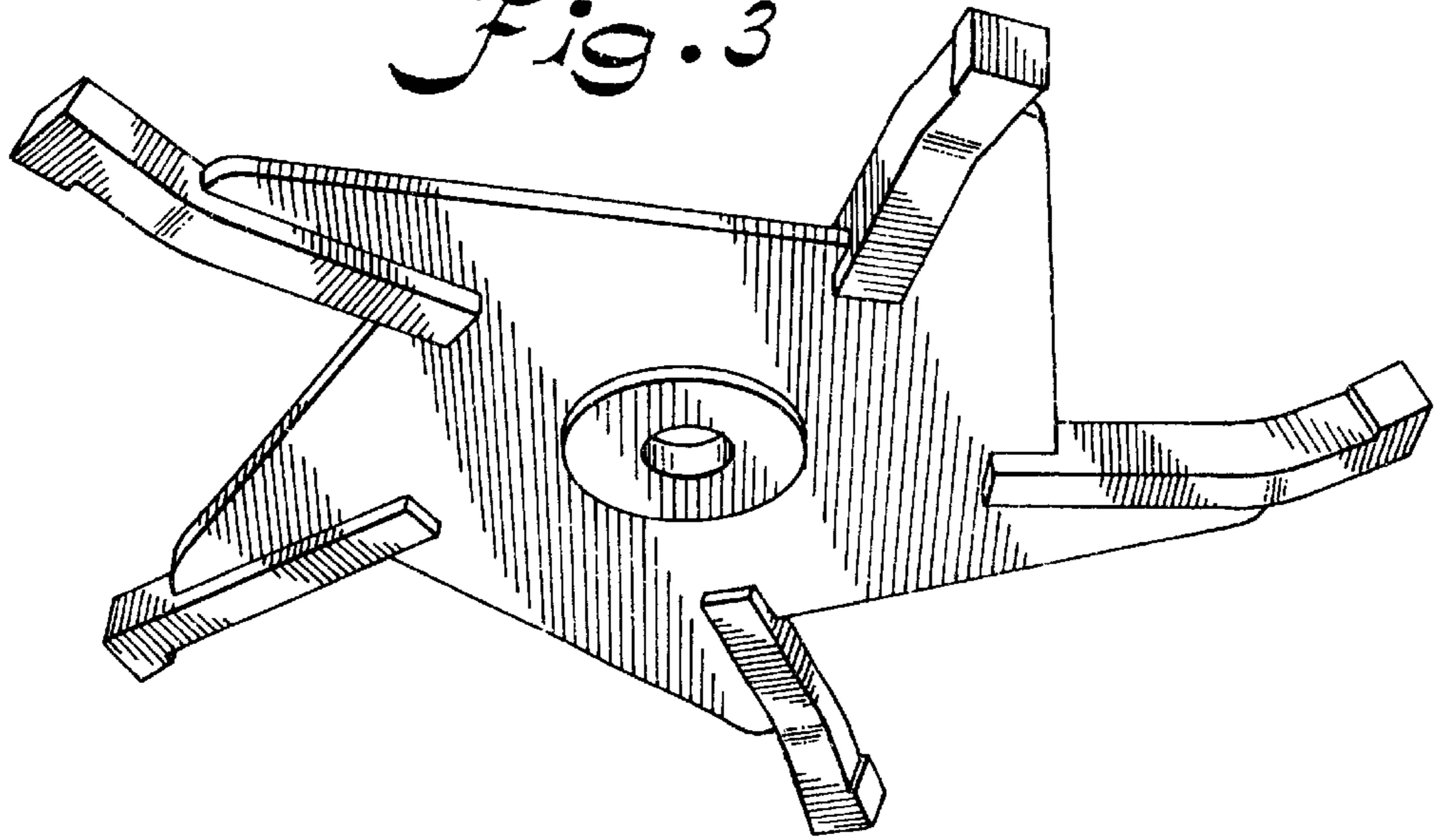


Fig. 4

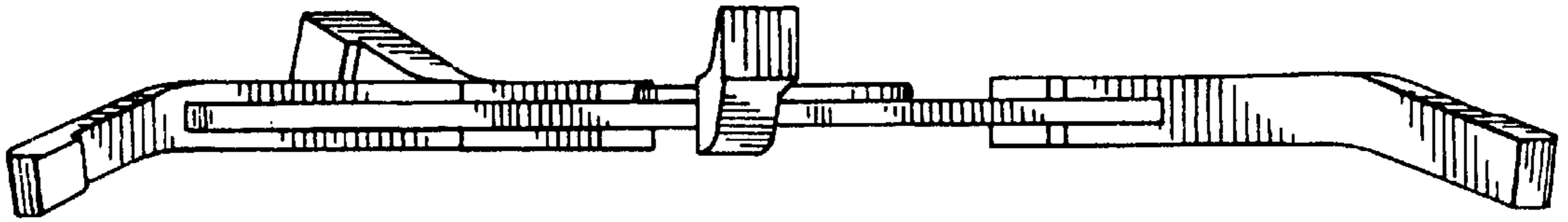


Fig. 5

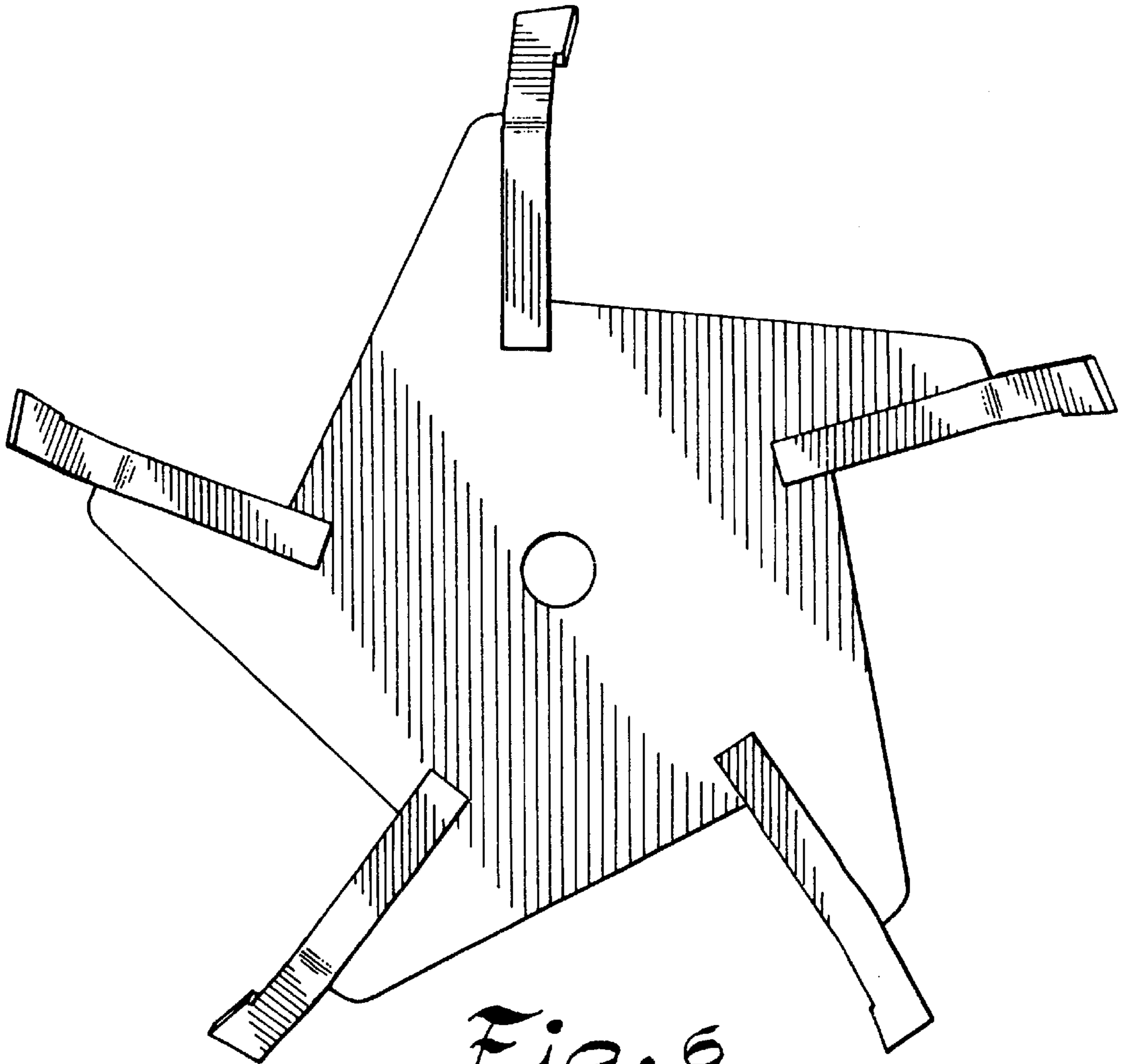


Fig. 6

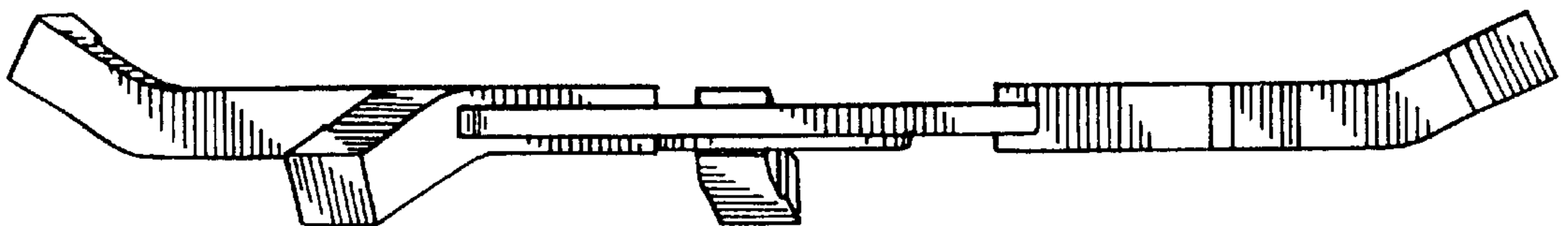


Fig. 7

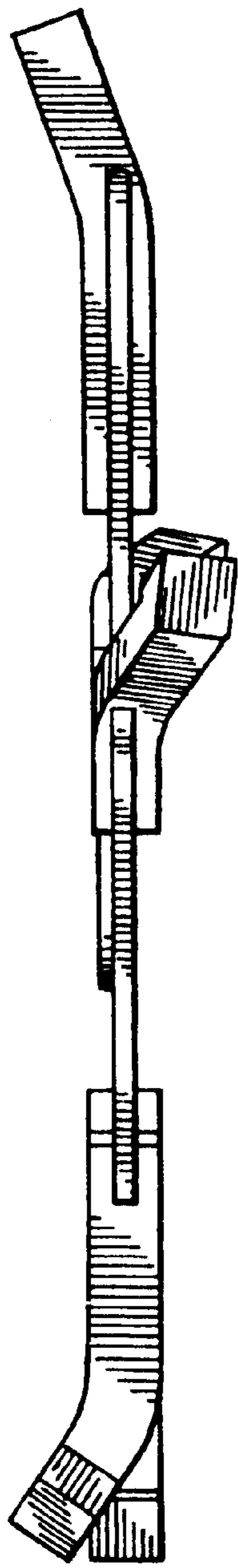


Fig. 8

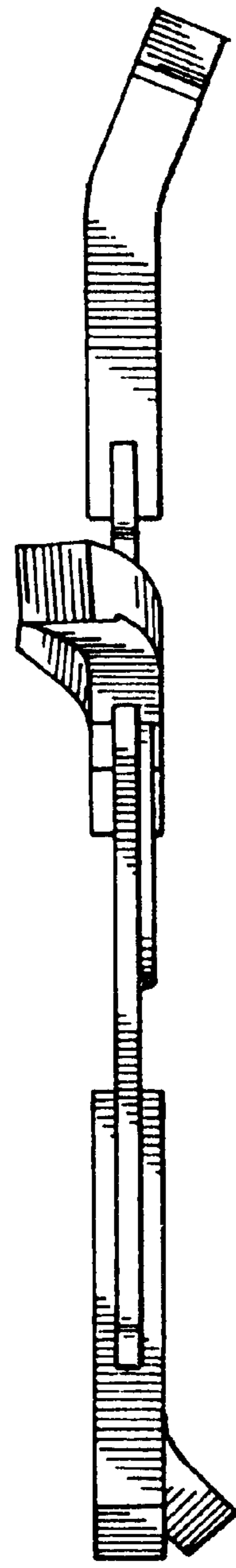


Fig. 9