



US00D463799S

(12) **United States Design Patent**
Goto

(10) **Patent No.:** **US D463,799 S**

(45) **Date of Patent:** **** Oct. 1, 2002**

(54) **SUPPORTING BASE**

FOREIGN PATENT DOCUMENTS

(75) **Inventor:** **Teiyu Goto, Tokyo (JP)**

DE 9602827 12/1996
JP 1035752 4/1999

(73) **Assignee:** **Sony Computer Entertainment, Inc., Tokyo (JP)**

OTHER PUBLICATIONS

(**) **Term:** **14 Years**

“Designs in View,” The Patent Office, p35 & 36, No. 122, (Mar. 2000).

(21) **Appl. No.:** **29/142,593**

“Storage Plus,” p. 408, Computer Product (Jan. 1996).

(22) **Filed:** **May 31, 2001**

“InfoMac,” MACWORLD Expo Taiwan (Feb. 1996).

(30) **Foreign Application Priority Data**

“The Third Wave,” p. 38 (May 1998).

Jan. 30, 2001 (JP) 2001-001867
Jan. 30, 2001 (JP) 2001-001868

“PlayStation2” Atari, FALCON 040, <http://www.iris.dti.ne.jp/~spe/game/ps2/ps2.htm> (Oct. 1999).

“ATARI FALCON 030” Atari MicroBox, <http://www.best.com/~hmk/aflcon.htm> (Mar. 2000).

* cited by examiner

(51) **LOC (7) Cl.** **14-02**

Primary Examiner—Kay H. Chin

(52) **U.S. Cl.** **D14/447**

(74) *Attorney, Agent, or Firm*—Rader, Fishman & Grauer, PLLC

(58) **Field of Search** D14/439–447,
D14/217, 239, 299, 126; D21/324, 333;
D6/449, 491, 445, 396, 512; 248/125.1,
127, 133, 177.1, 178.1, 179.1, 183.1, 346.01,
346.02, 188.2, 917–924; 200/5 R, 5 A,
6 R, 6 A; 361/679–685; D13/184, 199

(57) **CLAIM**

The ornamental design for a supporting base, as shown and described.

(56) **References Cited**

DESCRIPTION

U.S. PATENT DOCUMENTS

FIG. 1 is a perspective view of a supporting base showing my new design;

D270,026 S	8/1983	Whiteford	
D287,365 S	12/1986	Judd	
4,856,659 A	8/1989	Krebs	
D330,021 S	10/1992	Kline et al.	
D330,705 S	11/1992	Gowda et al.	
D338,882 S	8/1993	Reiter	
D349,696 S	8/1994	Hames	
D350,536 S	9/1994	McKnight et al.	
D361,561 S	8/1995	Baudot	
D362,245 S	9/1995	Moffatt	
D383,728 S	9/1997	Yurkonis et al.	
D416,878 S	11/1999	Yeh et al.	
D438,543 S	* 3/2001	Goto	D14/447
D442,967 S	* 5/2001	Goto	D14/447
D444,790 S	* 7/2001	Goto	D14/447
D446,217 S	* 8/2001	Goto	D14/447
D447,486 S	9/2001	Goto	
D452,867 S	* 1/2002	Goto	D14/447

FIG. 2 is a front elevational view thereof;

FIG. 3 is a rear elevational view thereof;

FIG. 4 is a left side elevational view thereof;

FIG. 5 is a right side elevational view thereof;

FIG. 6 is a top plan view thereof; and

FIG. 7 is a bottom plan view thereof.

FIG. 8 is a perspective view of another embodiment of a supporting base showing my new design;

FIG. 9 is a front elevational view thereof;

FIG. 10 is a rear elevational view thereof;

FIG. 11 is a left side elevational view thereof;

FIG. 12 is a right side elevational view thereof;

FIG. 13 is a top plan view thereof; and,

FIG. 14 is a bottom plan view thereof.

Portions in broken lines are for illustrative purposes only and form no part of claimed design.

1 Claim, 6 Drawing Sheets

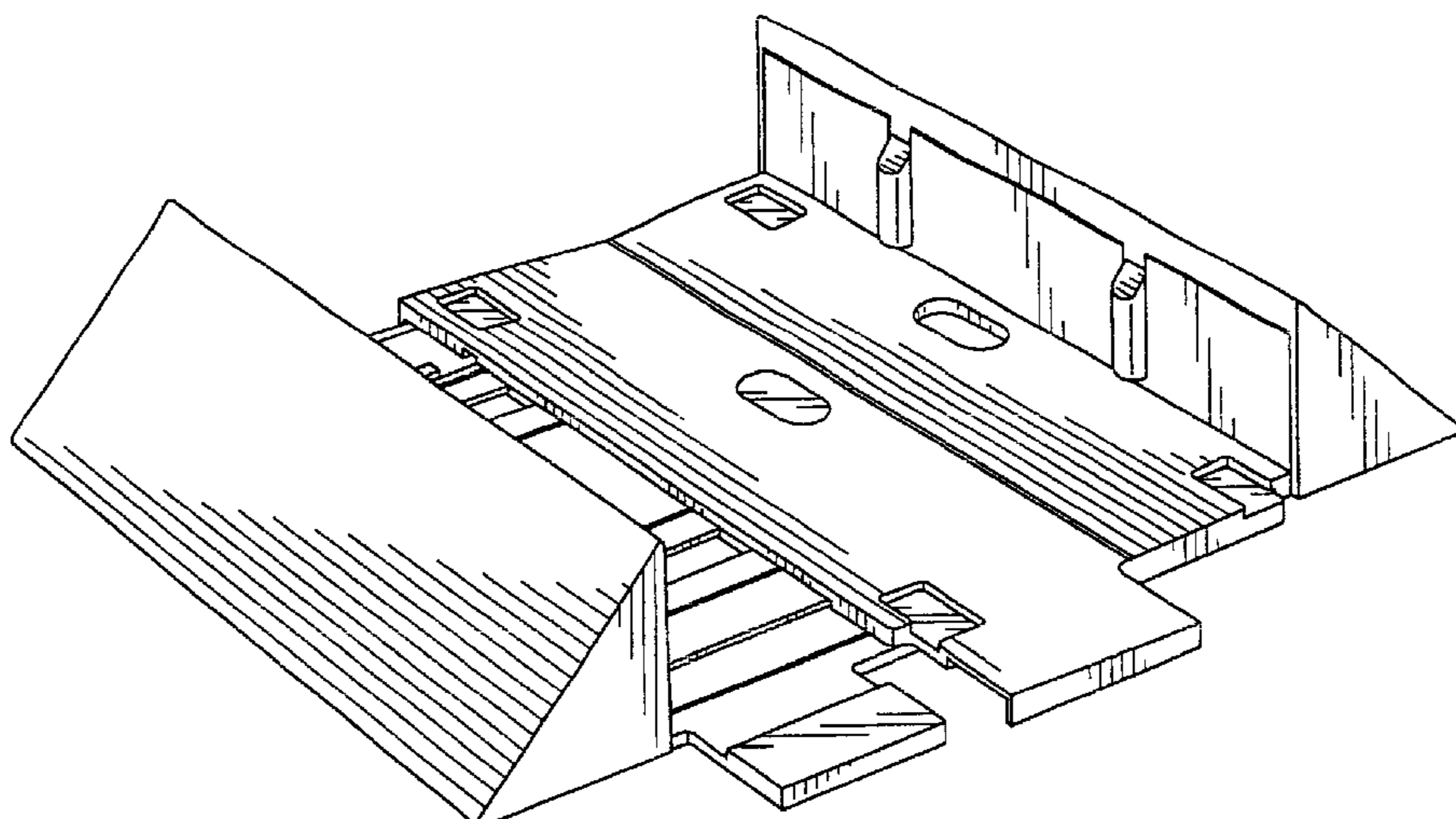


FIG. 1

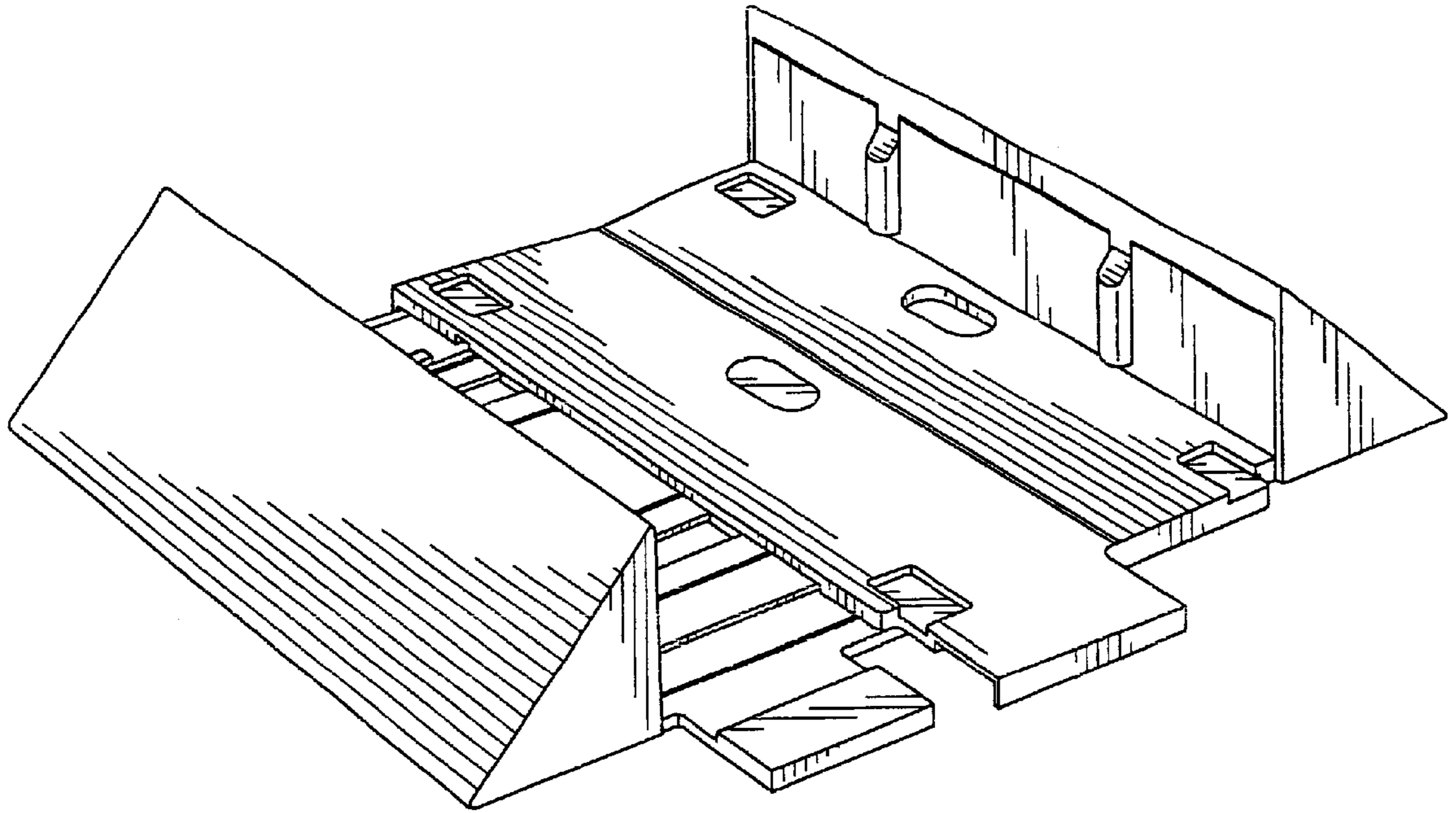


FIG. 2

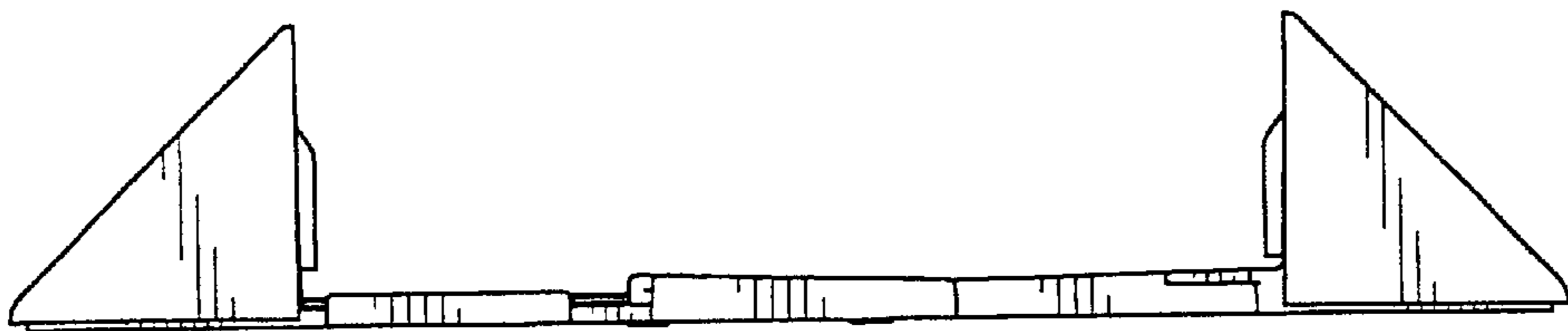


FIG. 3

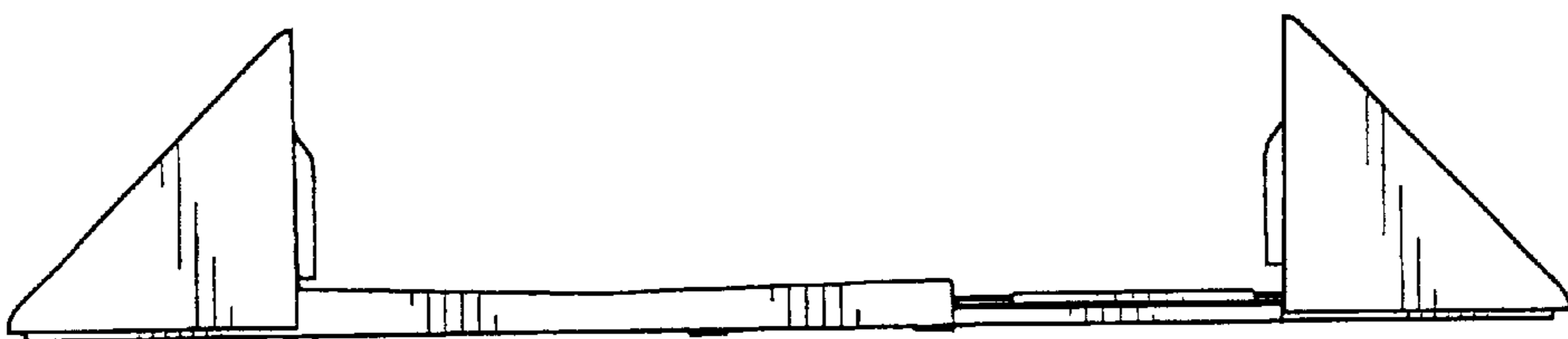


FIG. 4

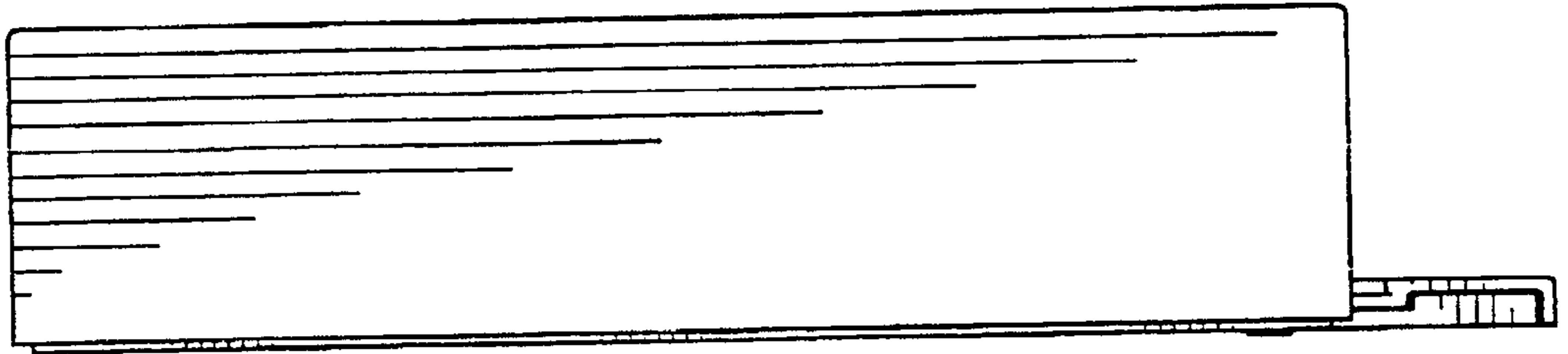


FIG. 5

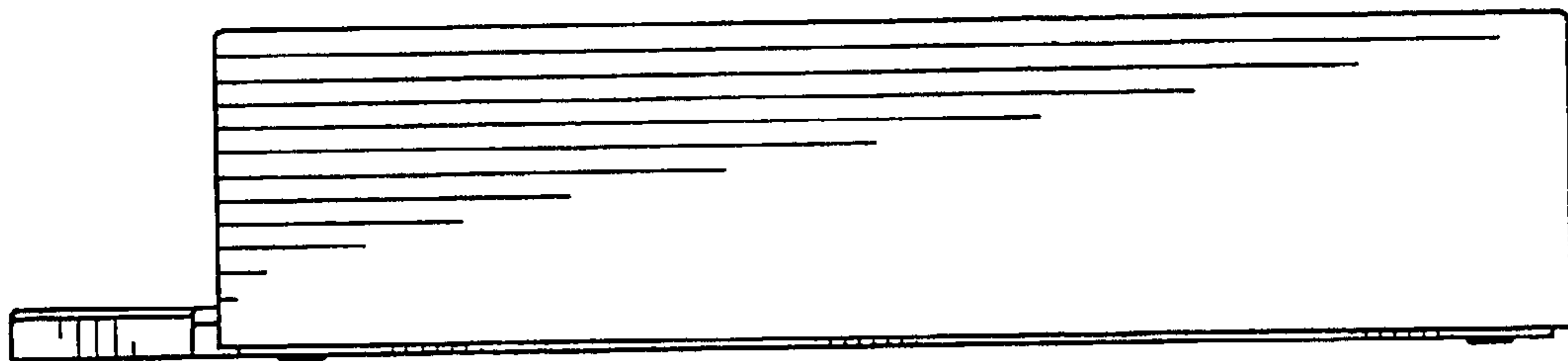


FIG. 6

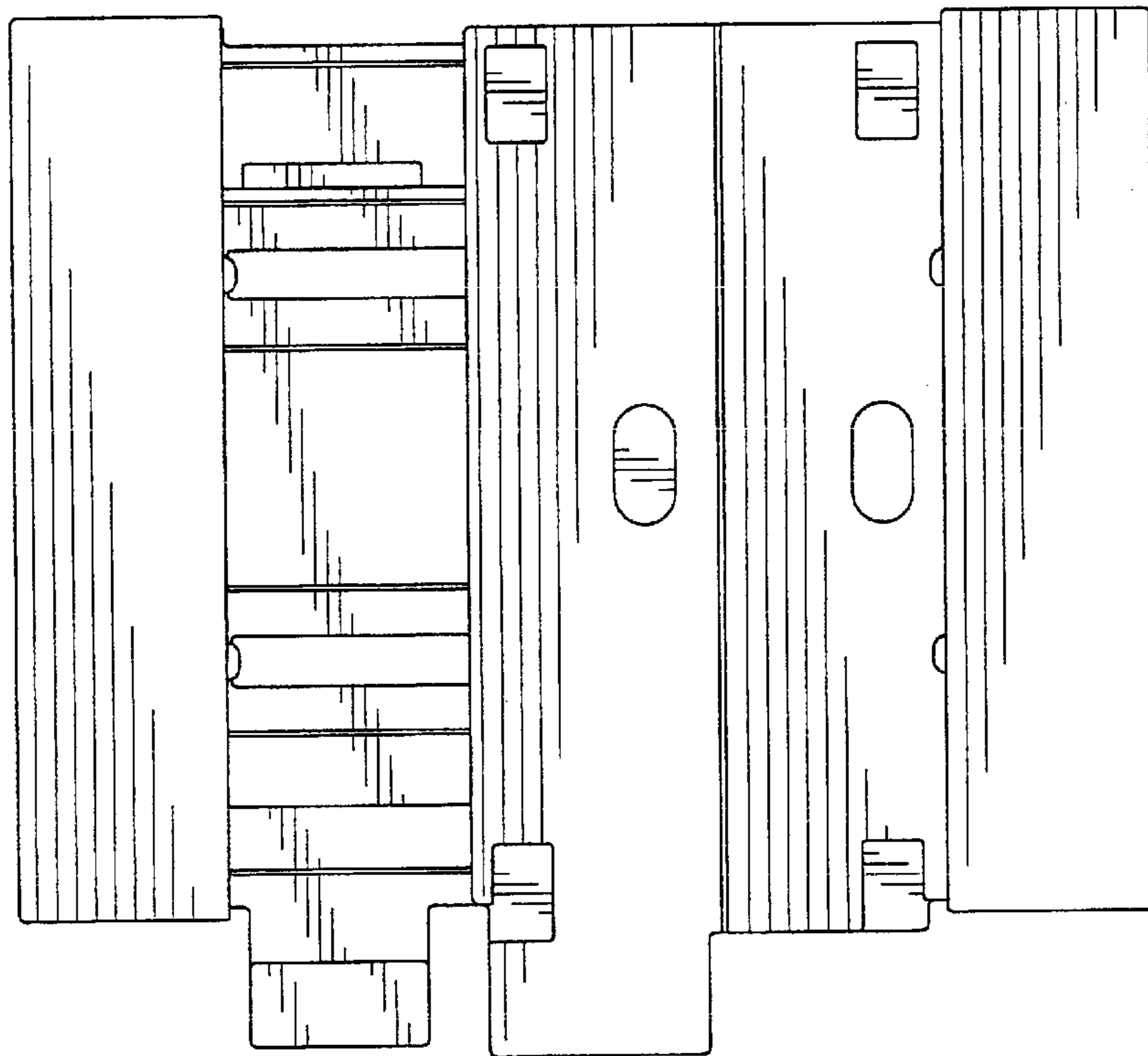


FIG. 7

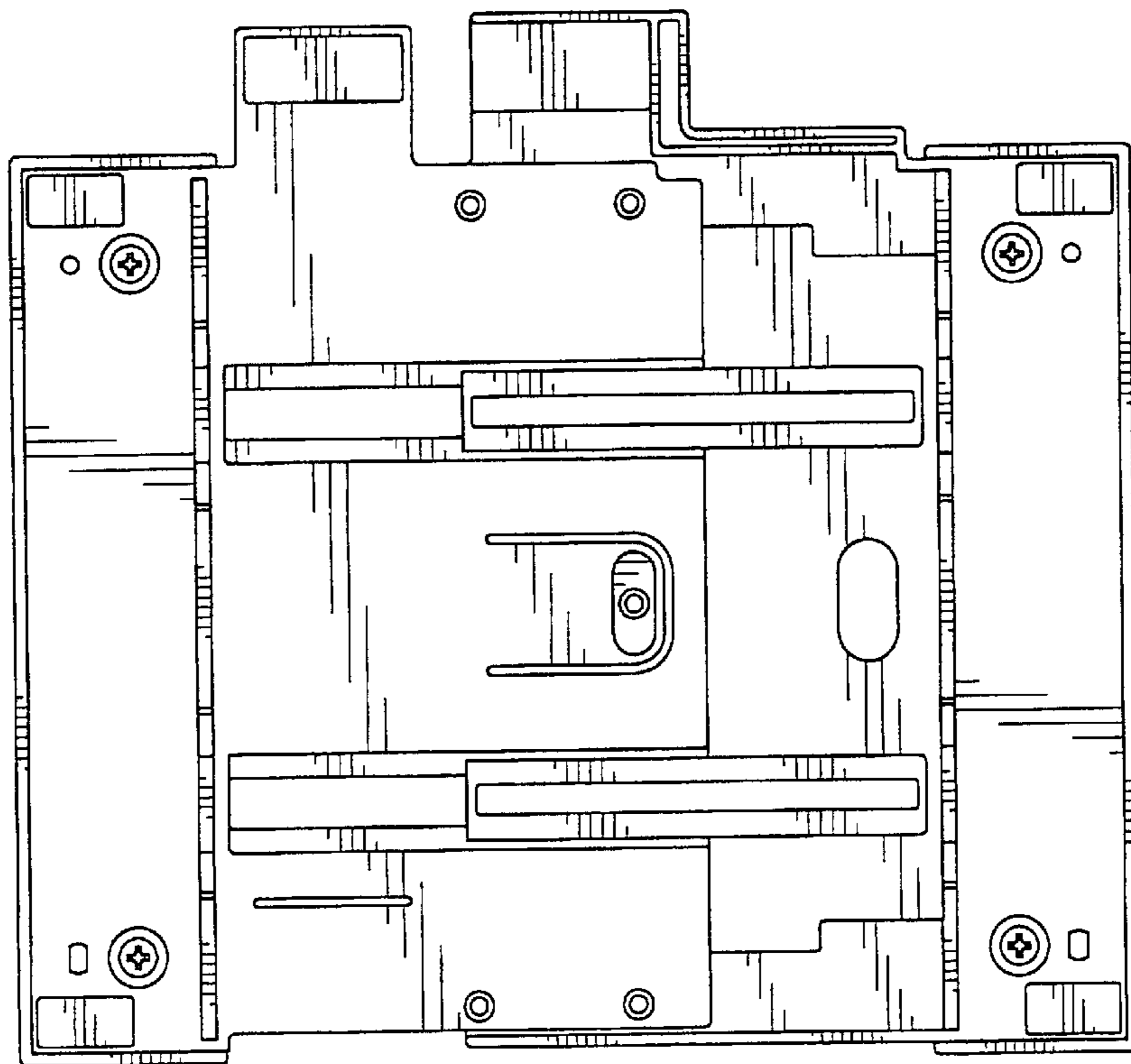


FIG. 8

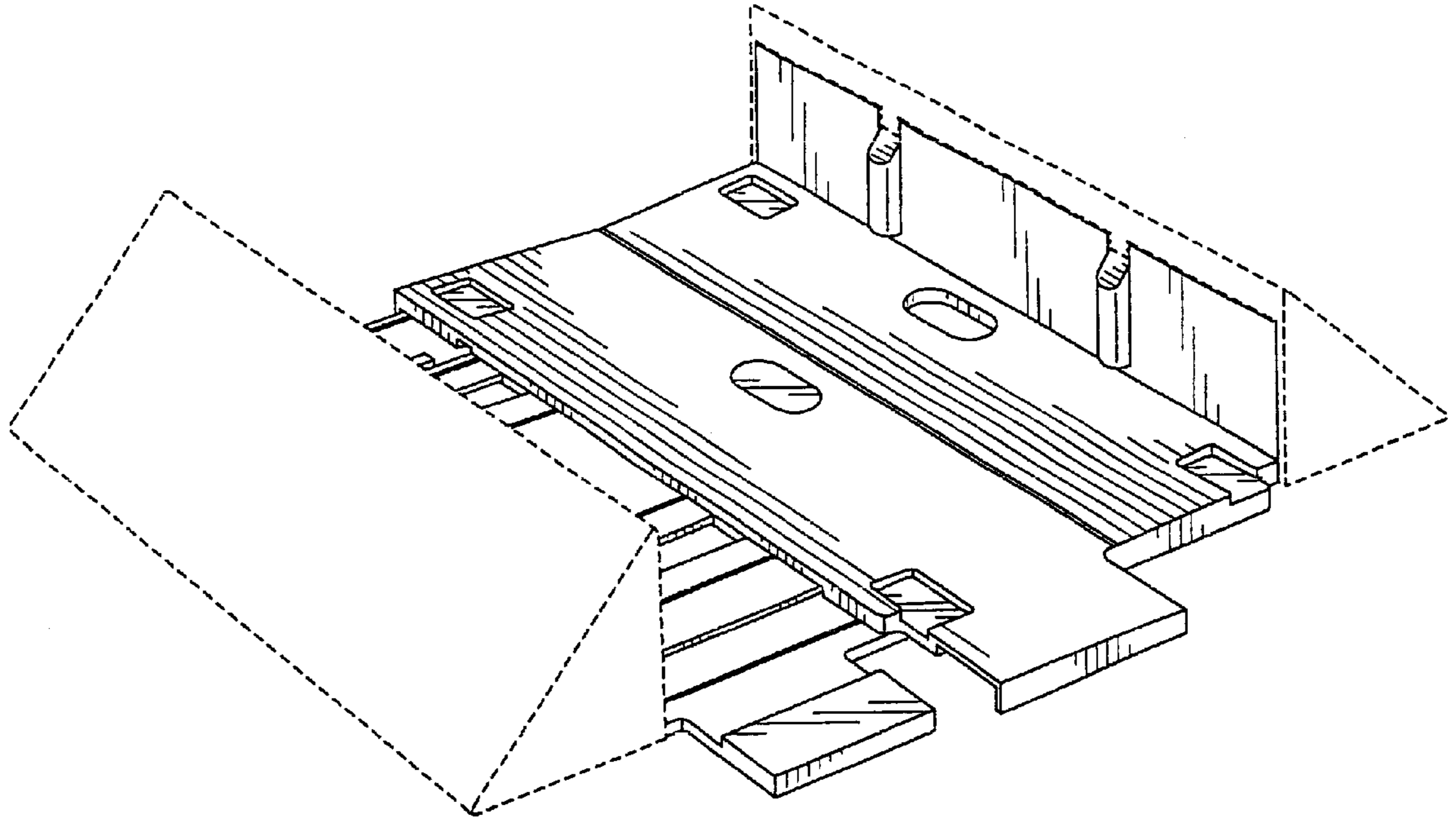


FIG. 9

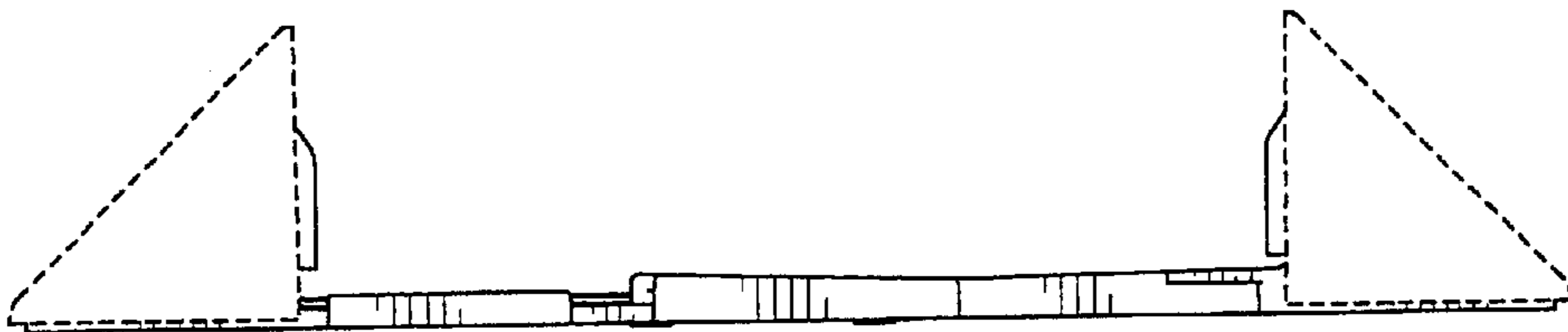


FIG. 10

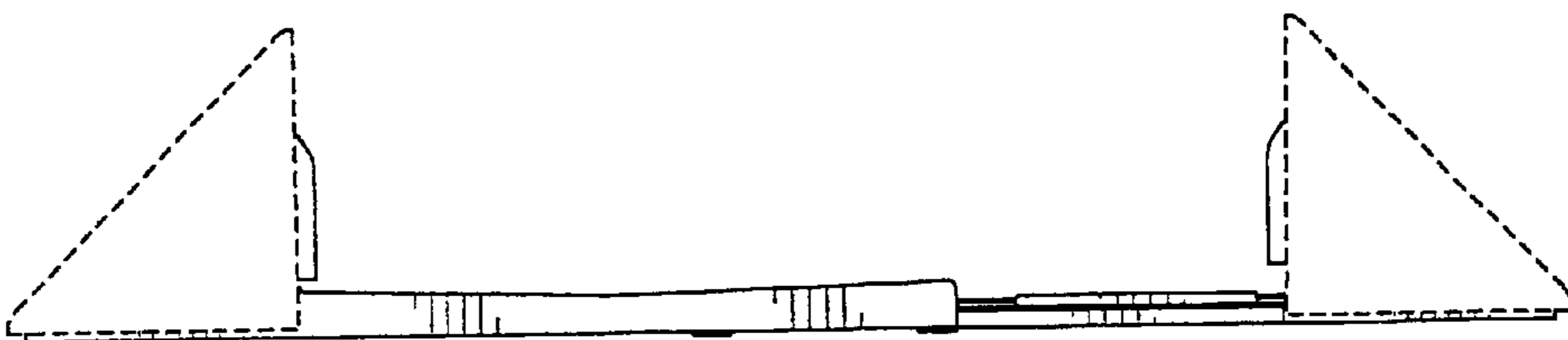


FIG. 11

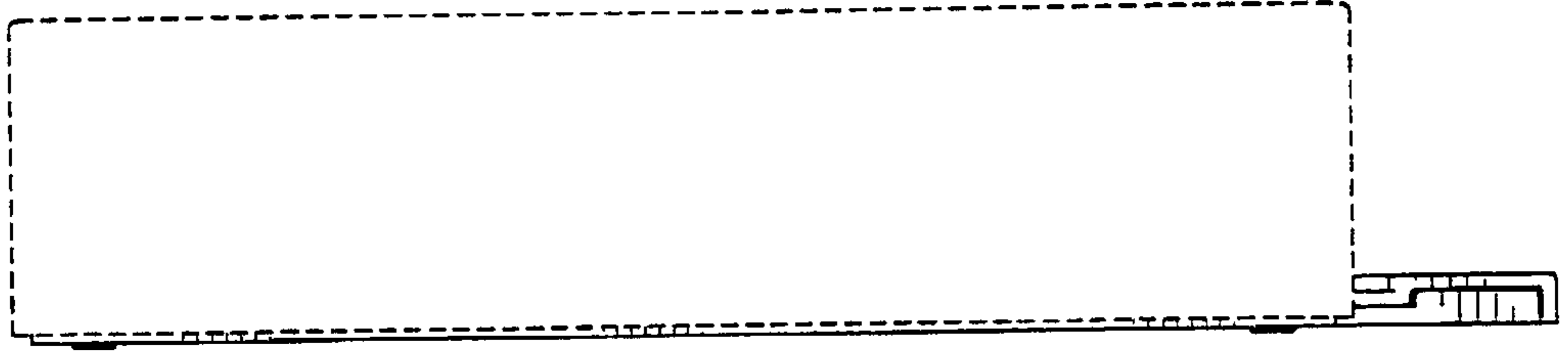


FIG. 12

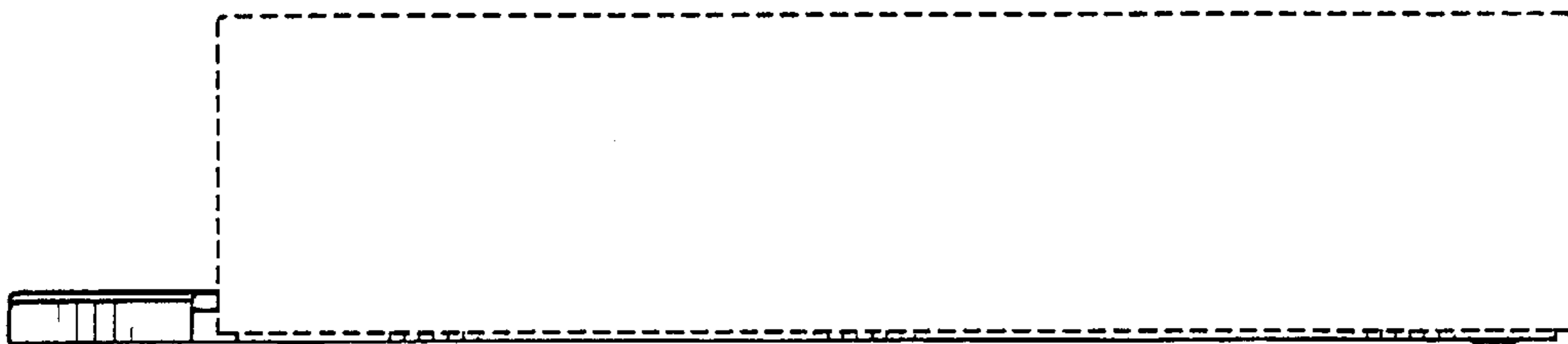


FIG. 13

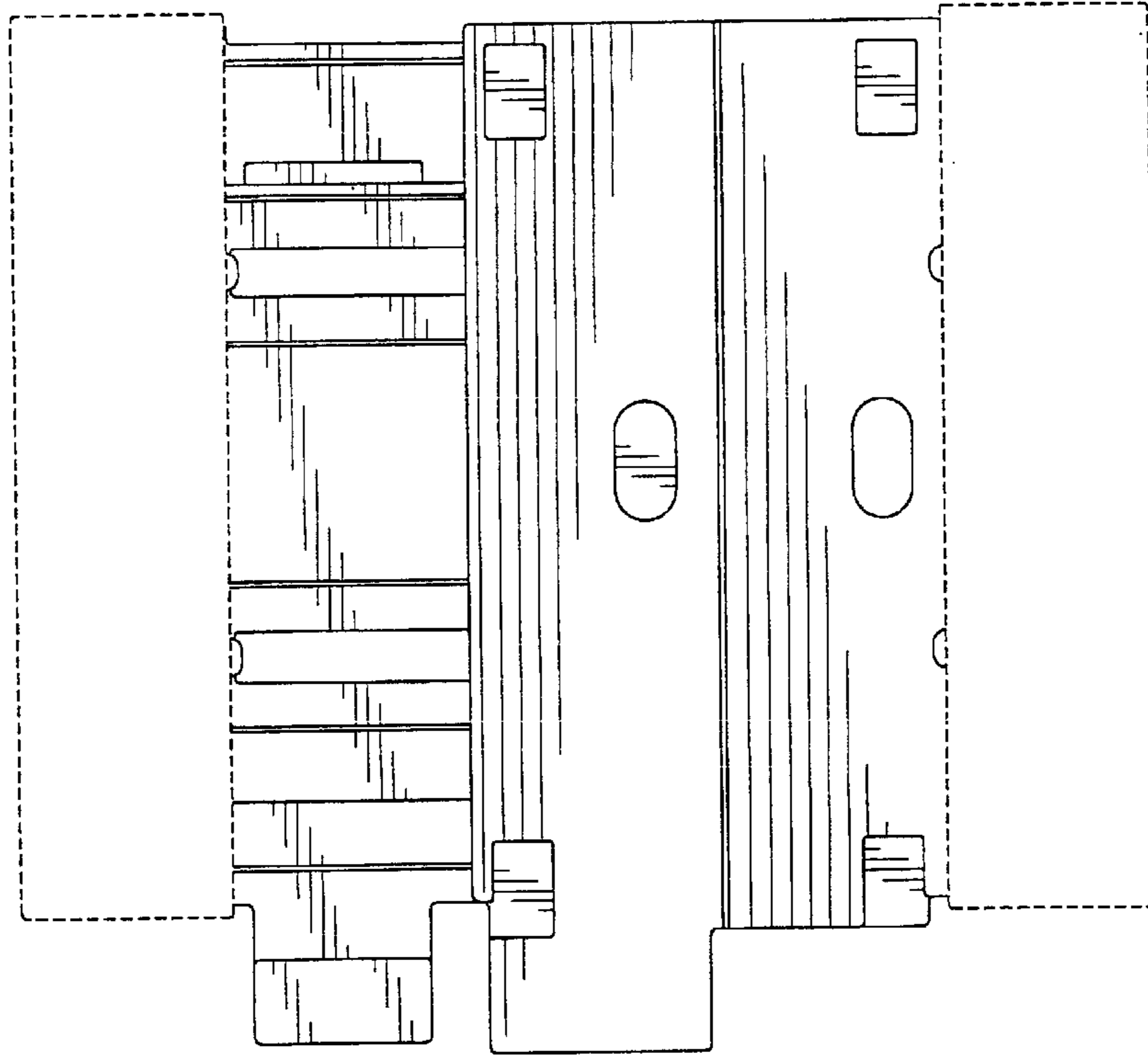


FIG. 14

