



US00D463792S

(12) **United States Design Patent**  
**Stokes et al.**

(10) **Patent No.: US D463,792 S**

(45) **Date of Patent: \*\* Oct. 1, 2002**

(54) **COMMUNICATION SYSTEM SERVER**

(75) Inventors: **Les Stokes**, London (GB); **Matthew Miles**, Berkhamsted (GB); **Peter Holdcroft**, Leighton Buzzard (GB); **Chris Brading**, Beacon Hill (GB); **Neil Evans**, St. Albans (GB); **Clive Mayne**, Harpenden (GB)

(73) Assignee: **Red-M (Communications) Limited**, Wexham (GB)

(\*\*) Term: **14 Years**

(21) Appl. No.: **29/138,137**

(22) Filed: **Mar. 7, 2001**

(51) **LOC (7) Cl. .... 14-03**

(52) **U.S. Cl. .... D14/240**

(58) **Field of Search** ..... D14/137, 240, D14/138, 242, 308, 356, 357, 358, 311, 313, 441, 144, 348-355, 370, 341-347, 125, 432, 433, 155, 299, 257, 439, 140, 188, 230, 241, 243, 245; 379/433.01-433.13, 419, 434, 428.01-428.04, 420.01-420.04, 440, 441, 442; 455/550-575, 90; D13/184, 123, 152, 147, 110

(56) **References Cited**

**U.S. PATENT DOCUMENTS**

- D339,115 S \* 9/1993 Eilertsen ..... D14/242
- D365,808 S \* 1/1996 Alden et al. .... D14/432
- D382,255 S \* 8/1997 Moffatt ..... D14/358
- D384,065 S \* 9/1997 Bice et al. .... D14/149

- D387,347 S \* 12/1997 McGugan ..... D14/149
- D392,644 S \* 3/1998 McGugan ..... D14/240
- D394,266 S \* 5/1998 Hogenbirk ..... D14/240
- D406,849 S \* 3/1999 Tanaka ..... D14/242
- D409,164 S \* 5/1999 Tucker et al. .... D14/311
- D415,769 S \* 10/1999 Waldner ..... D14/240
- D417,203 S \* 11/1999 Figueroa et al. .... D14/352
- D417,223 S \* 11/1999 Groves et al. .... D14/242
- D420,362 S \* 2/2000 Pedraza et al. .... D14/242
- D424,028 S \* 5/2000 Vaiani ..... D13/184
- D424,528 S \* 5/2000 Dernehl ..... D13/184
- D432,125 S \* 10/2000 Masuda et al. .... D14/349
- D433,381 S \* 11/2000 Talesfore ..... D13/123
- D435,044 S \* 12/2000 Oviatt et al. .... D14/356
- D436,935 S \* 1/2001 Feucht ..... D13/184
- D438,532 S \* 3/2001 Gargani et al. .... D14/240
- D448,353 S \* 9/2001 Chang ..... D14/125
- D453,154 S \* 1/2002 Åstradsson ..... D14/240

\* cited by examiner

*Primary Examiner*—Jeffrey Asch

(74) *Attorney, Agent, or Firm*—Perman & Green, LLP

(57) **CLAIM**

The ornamental design for a “communication system server”, as shown and described.

**DESCRIPTION**

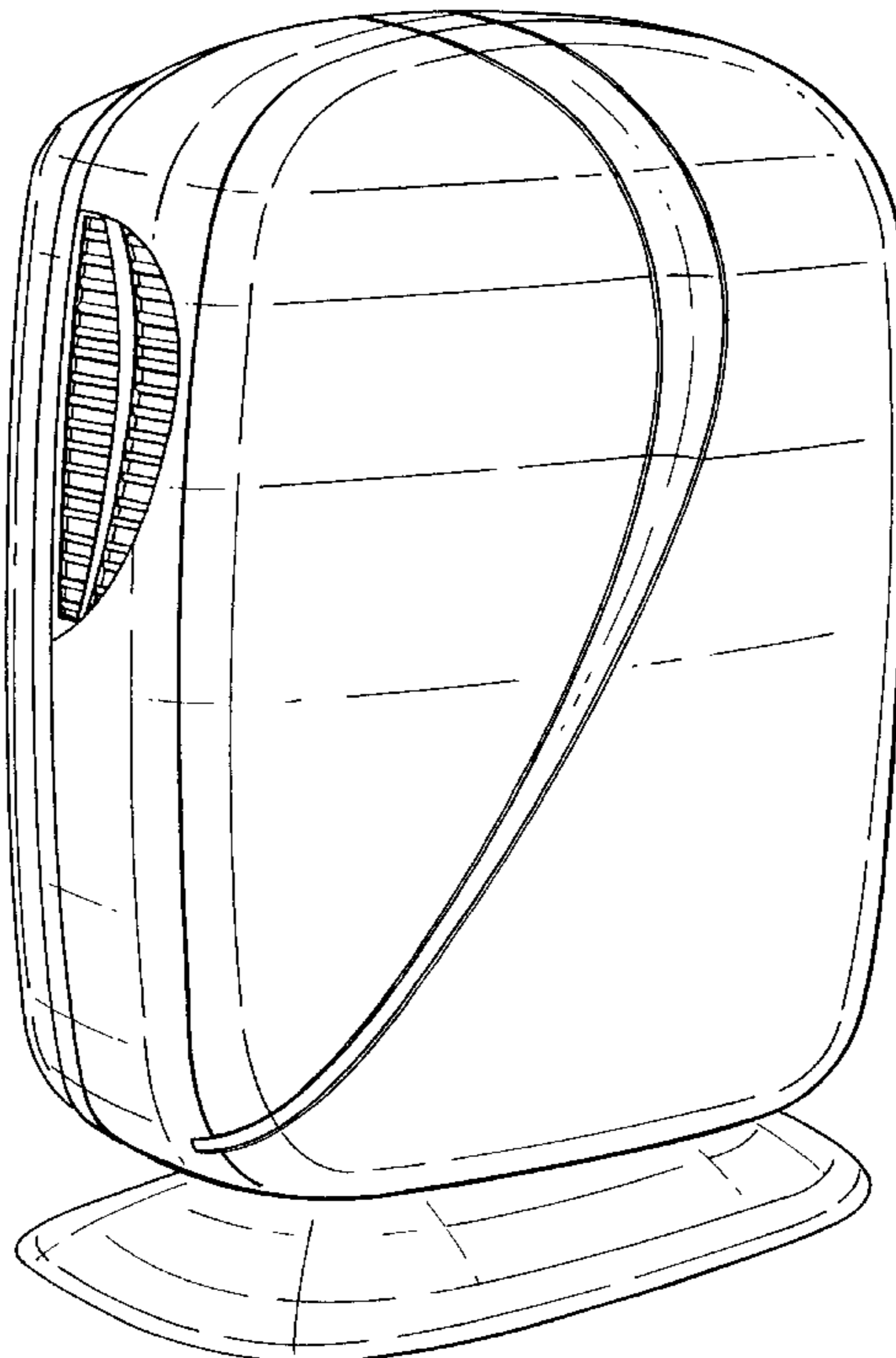
FIG. 1 is a front, left side and top perspective view showing our new design;

FIG. 2 is a rear elevational view thereof;

FIG. 3 is a right side elevational view thereof; and,

FIG. 4 is a top plan view thereof.

**1 Claim, 4 Drawing Sheets**



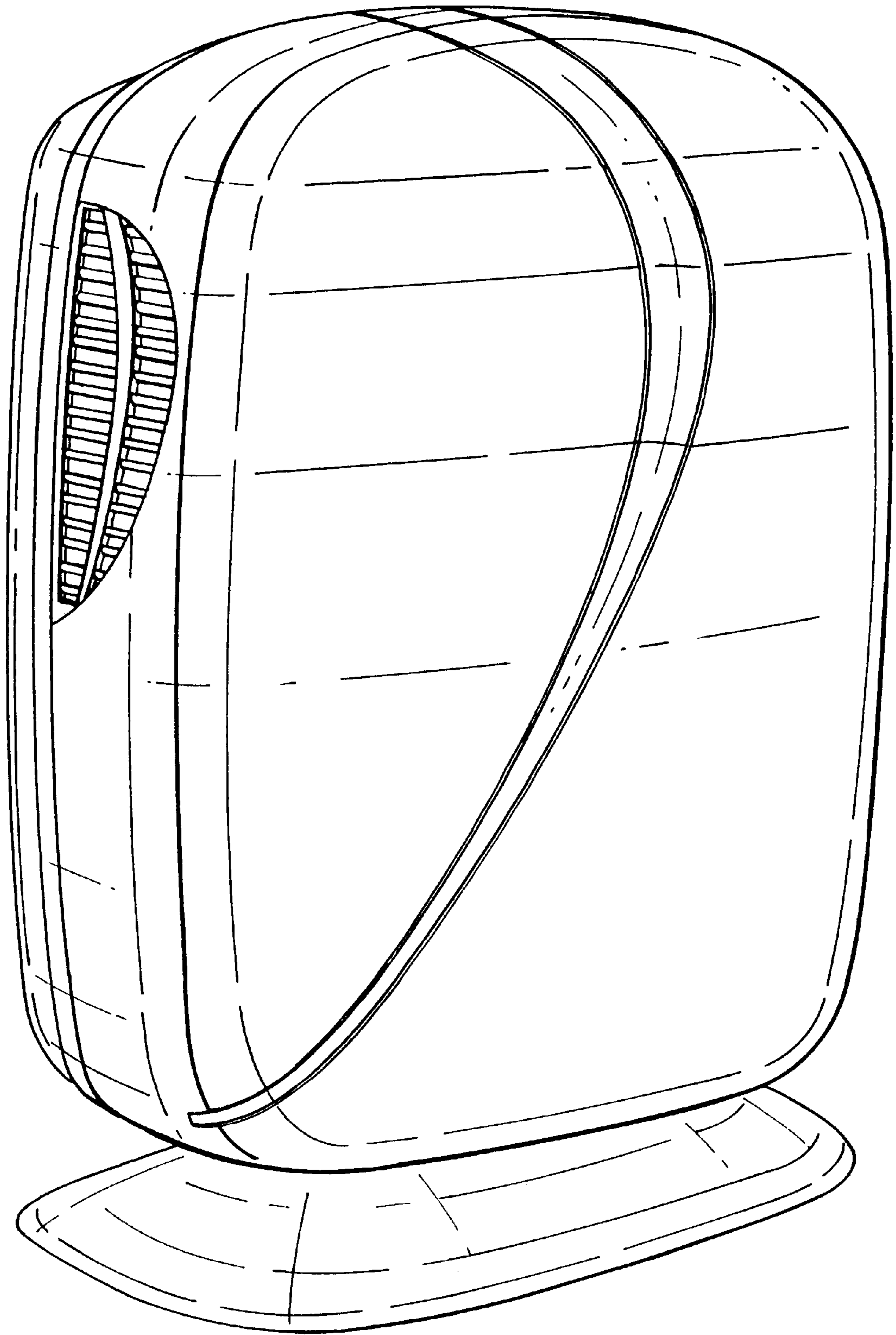


Fig. 1.

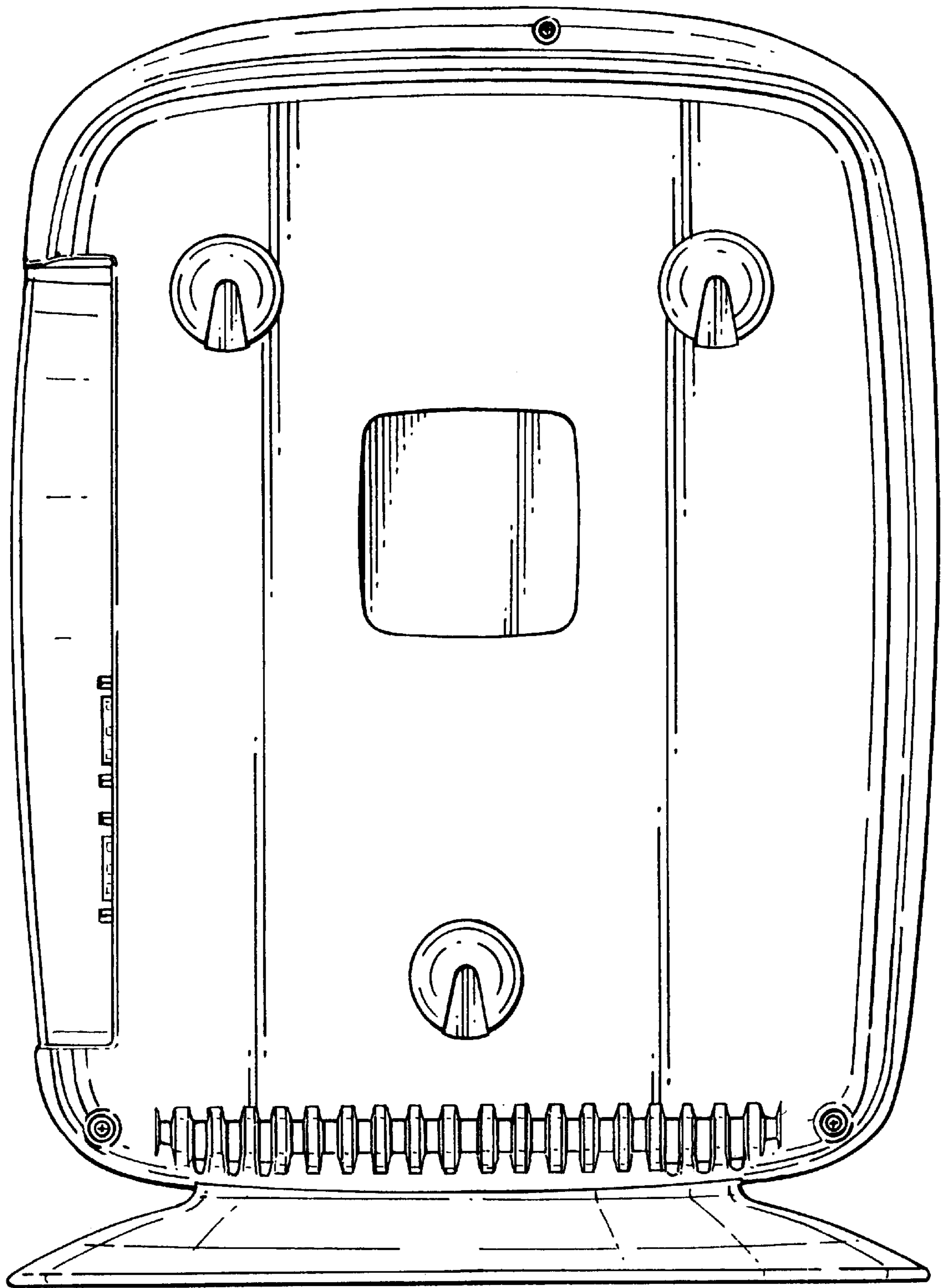


Fig.2.

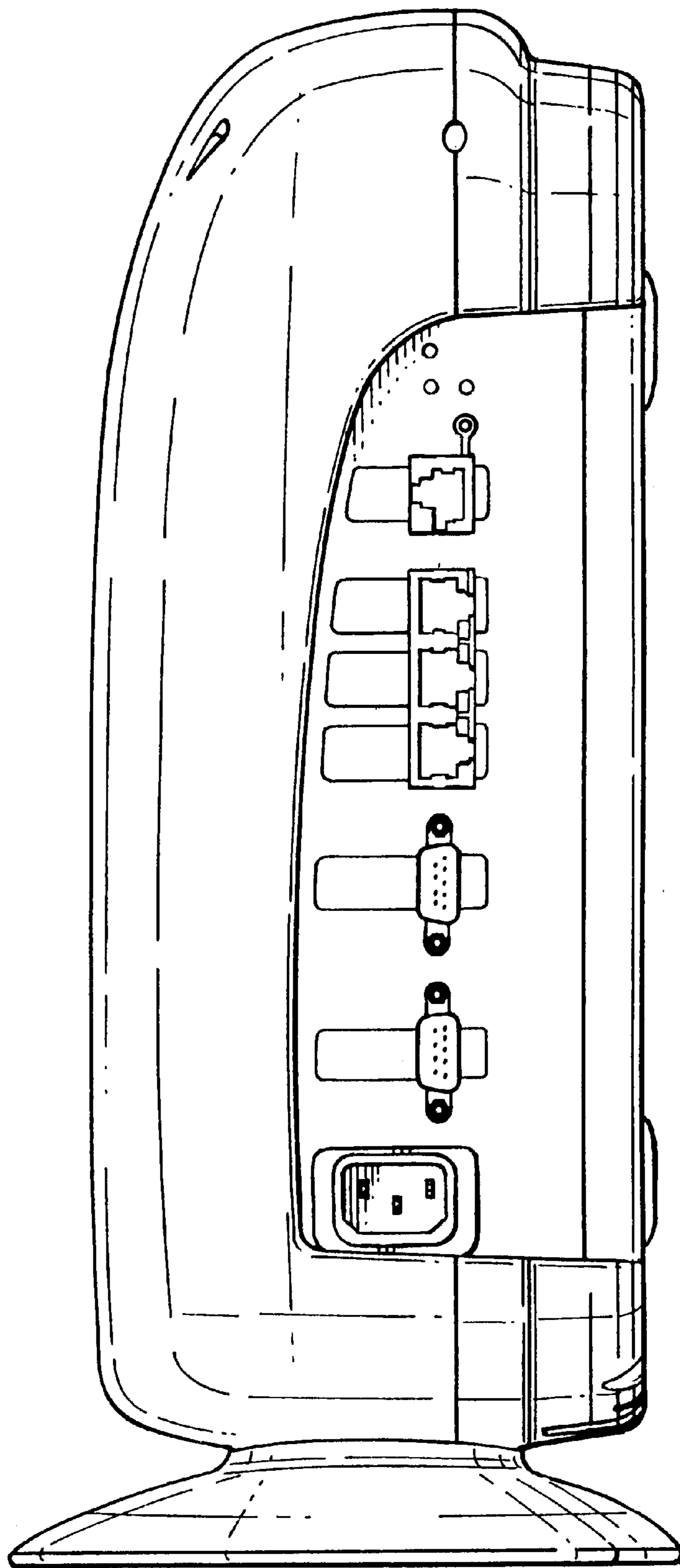


Fig.3.

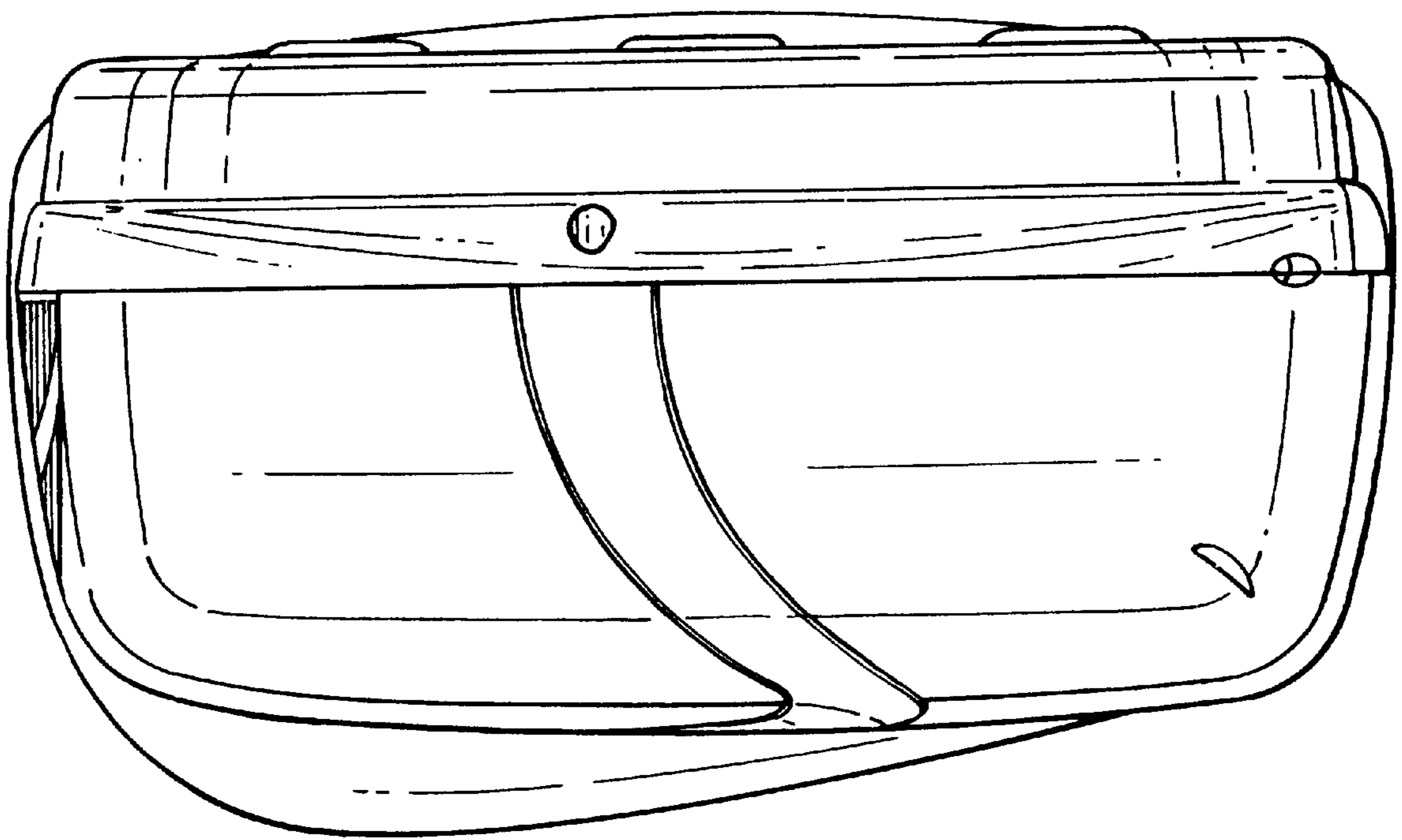


Fig.4.