



US00D463787S

(12) **United States Design Patent**
Beraut et al.

(10) **Patent No.:** **US D463,787 S**
(45) **Date of Patent:** **** Oct. 1, 2002**

(54) **CONTROL POD FOR A MICROPHONE/
HEADSET CONTROLLER**

D326,655 S * 6/1992 Iribe D14/205
D334,043 S * 3/1993 Taniguchi D14/223
D344,522 S * 2/1994 Taniguchi D14/218
D384,072 S * 9/1997 Ng D14/192

(75) Inventors: **Olivier Beraut**, Scotts Valley, CA (US);
Robert Davies, Scotts Valley, CA (US);
Joseph G. Stachula, Santa Cruz, CA
(US); **Gerald W. Skulley**, Aptos, CA
(US); **Chris Labak**, Chicago, IL (US);
Christopher Houghton, Chicago, IL
(US); **Jon Lindholm**, Chicago, IL (US);
Steve McPhilliamy, Chicago, IL (US)

* cited by examiner

Primary Examiner—Nanda Bondade
(74) *Attorney, Agent, or Firm*—Peter Hsieh

(73) Assignee: **Plantronics, Inc.**, Santa Cruz, CA (US)

(**) Term: **14 Years**

(57) **CLAIM**

The ornamental design for a control pod for a microphone/
headset controller, as shown and described.

(21) Appl. No.: **29/147,585**

(22) Filed: **Aug. 31, 2001**

DESCRIPTION

(51) **LOC (7) Cl.** **14-03**

(52) **U.S. Cl.** **D14/218; D14/223**

(58) **Field of Search** D14/188, 192,
D14/205–206, 217–218, 223; 455/151.1–151.4,
152.1, 352–355; D13/168

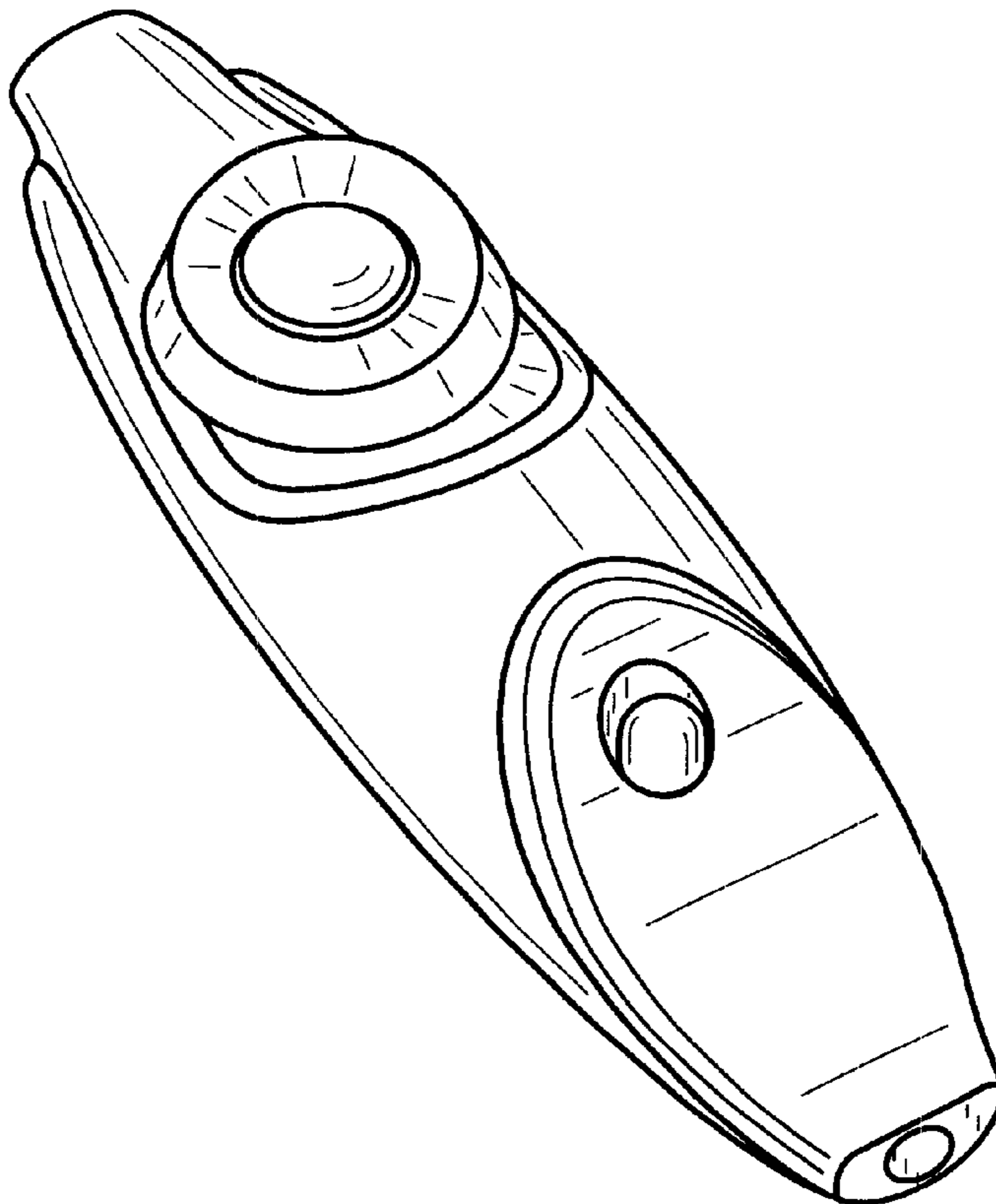
FIG. 1 is a perspective view of a control pod for a micro-
phone/headset controller showing our new design, the bro-
ken line showing of the attached devices is for illustrative
purposes only and forms no part of the claimed design;
FIG. 2 is a enlarged left front perspective view;
FIG. 3 is a front elevational view;
FIG. 4 is a right side elevational view, the left side is a mirror
image thereof;
FIG. 5 is a rear elevational view;
FIG. 6 is a top plan view; and,
FIG. 7 is a bottom plan view.

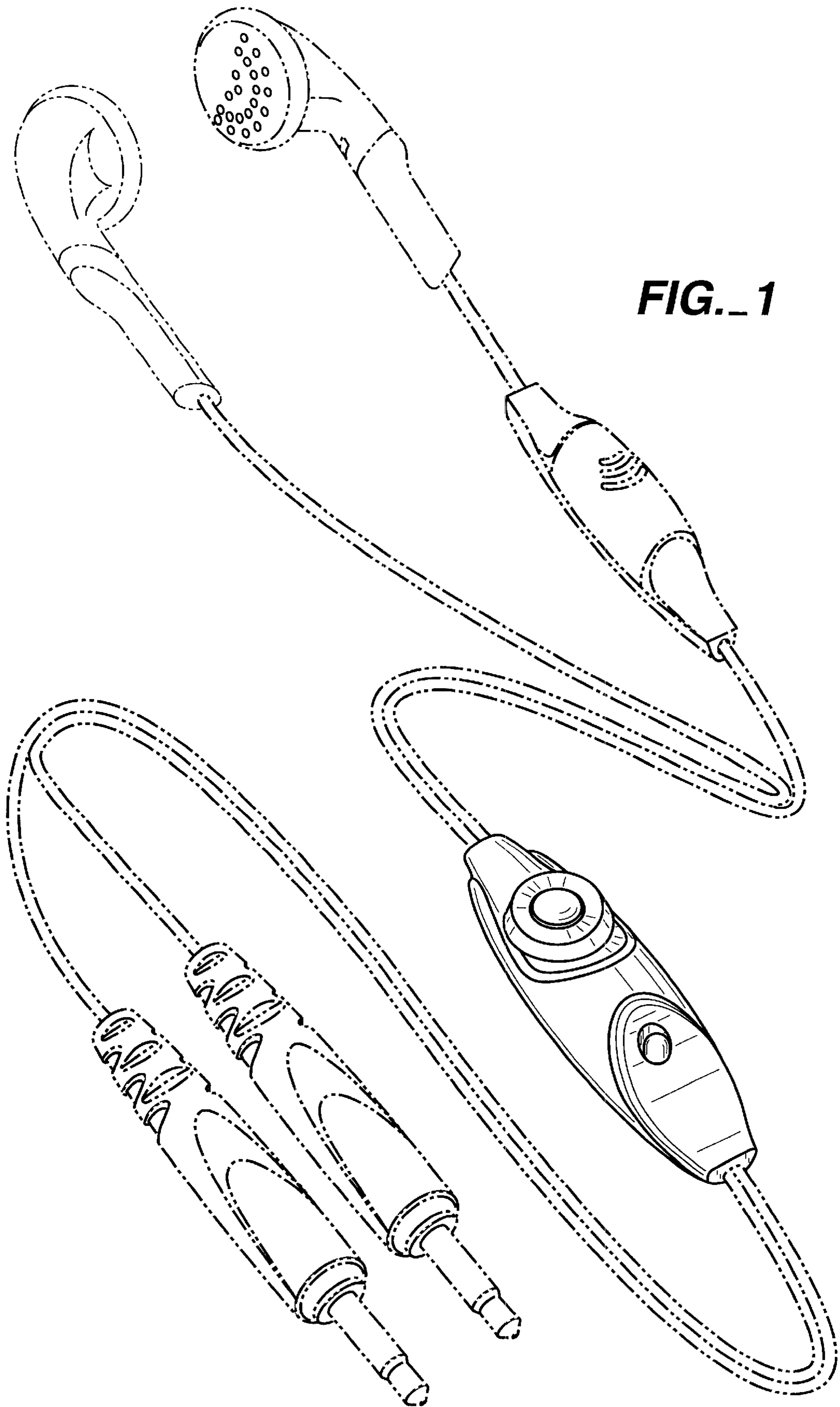
(56) **References Cited**

U.S. PATENT DOCUMENTS

D318,670 S * 7/1991 Taniguchi D14/223

1 Claim, 2 Drawing Sheets





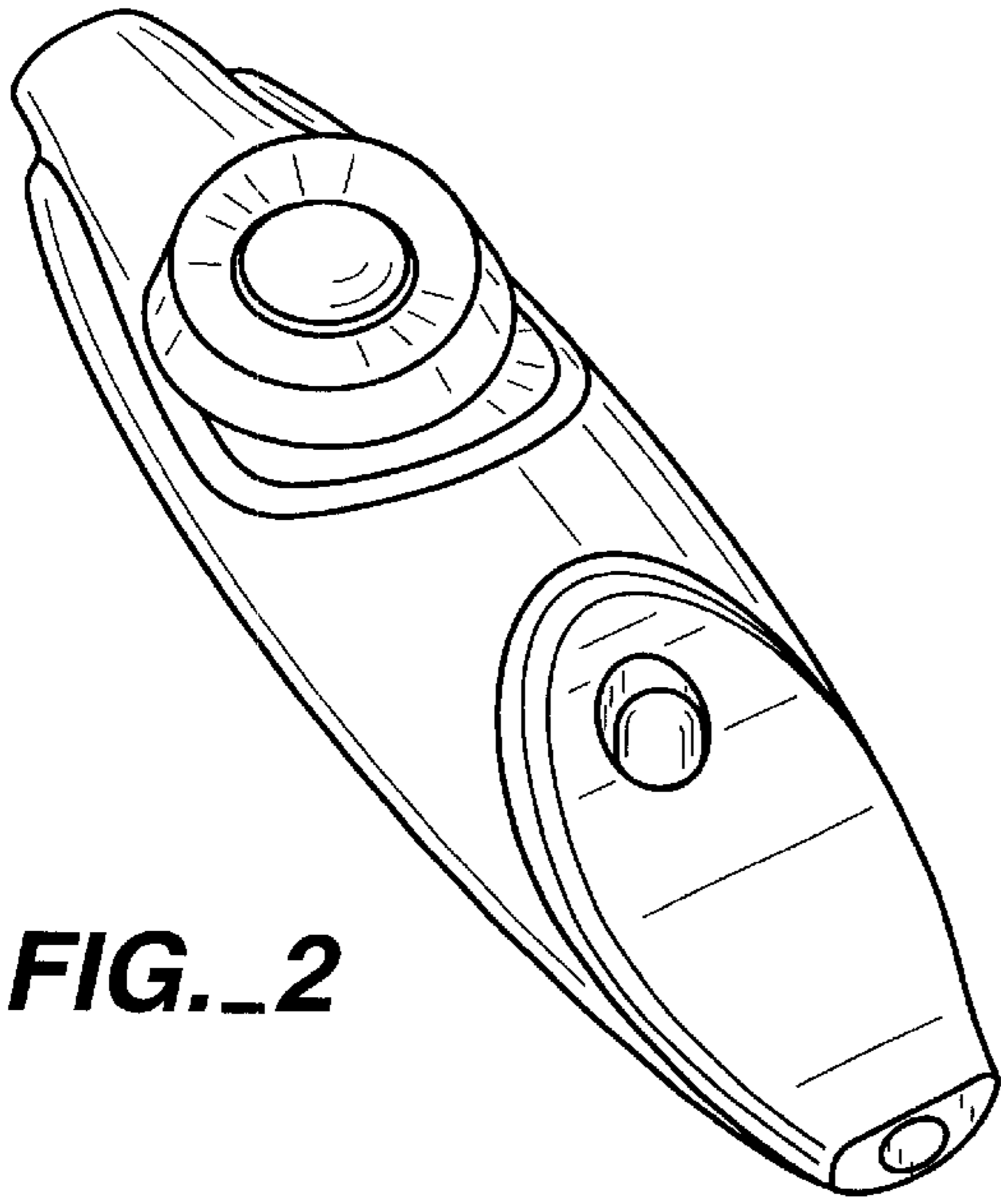


FIG._2

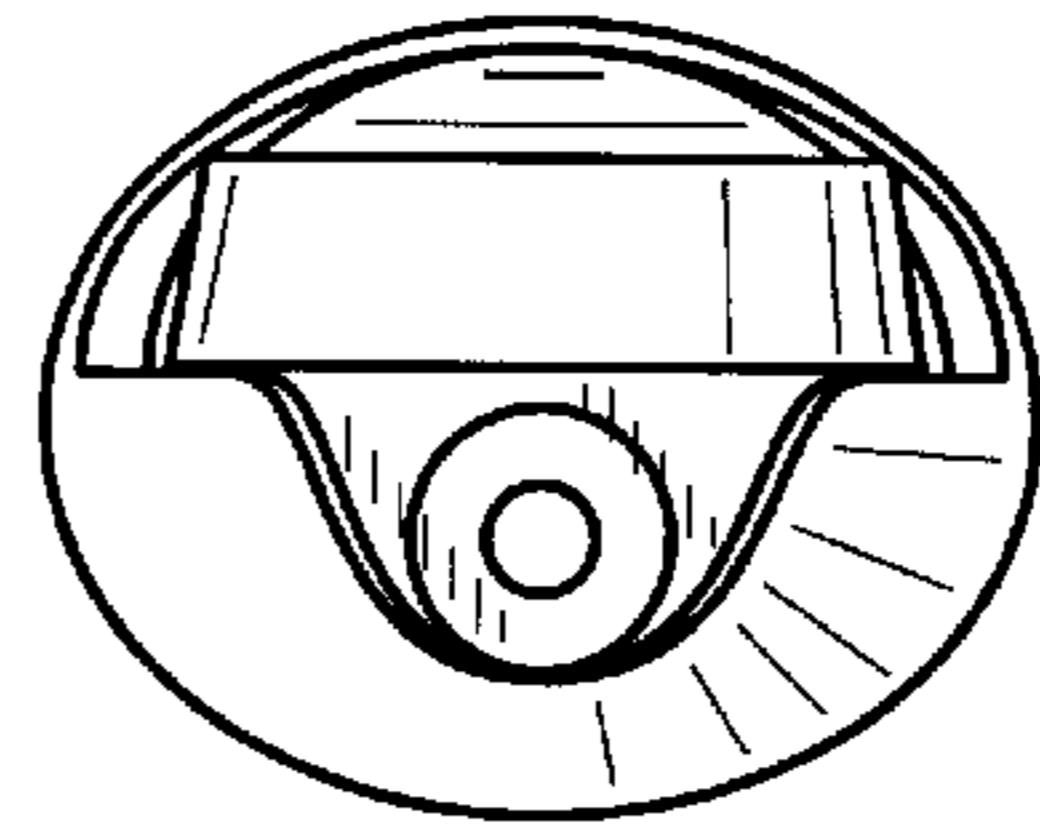


FIG._6

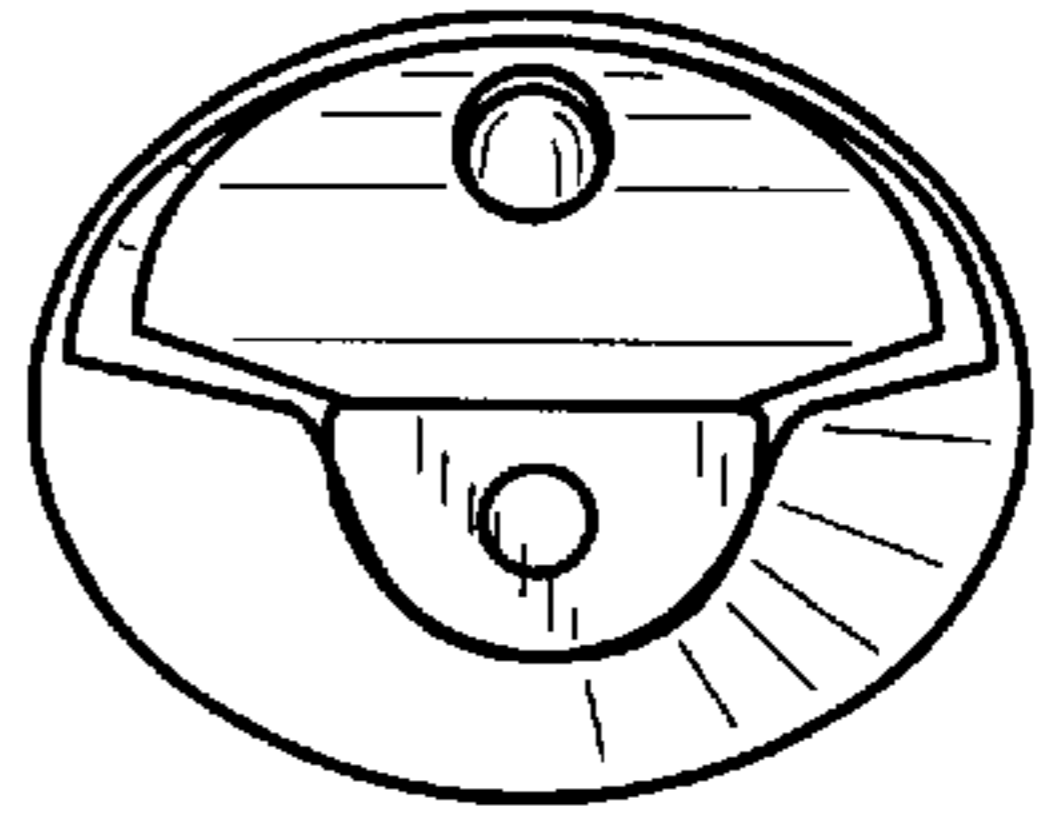


FIG._7

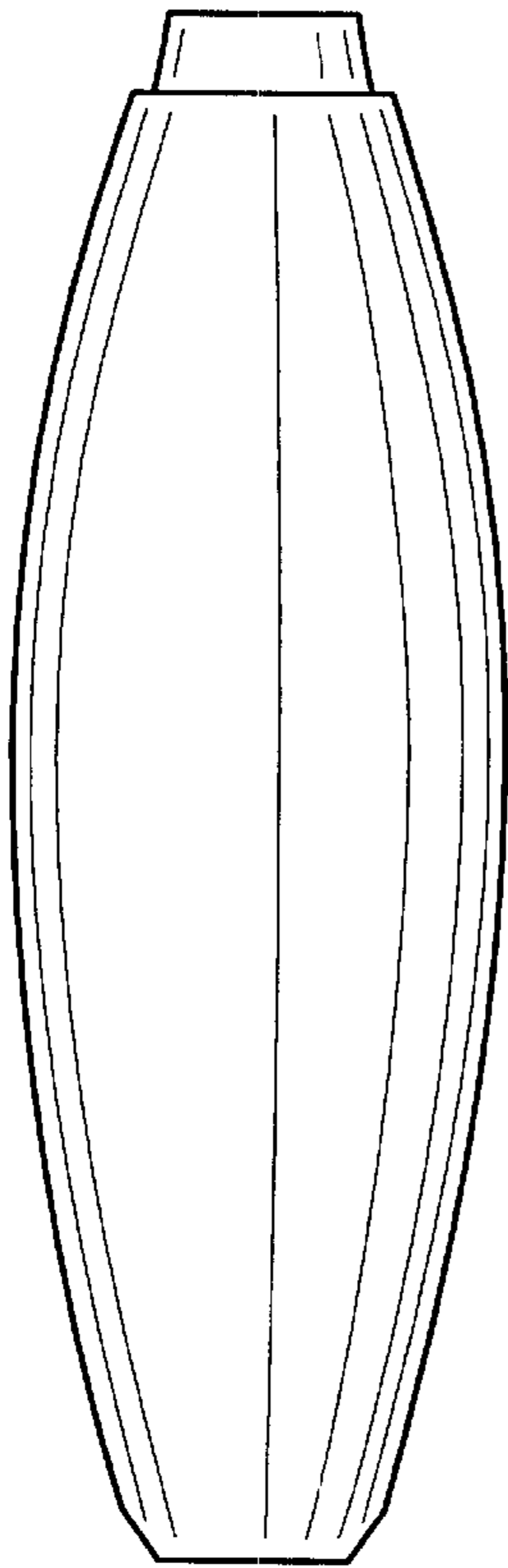


FIG._5

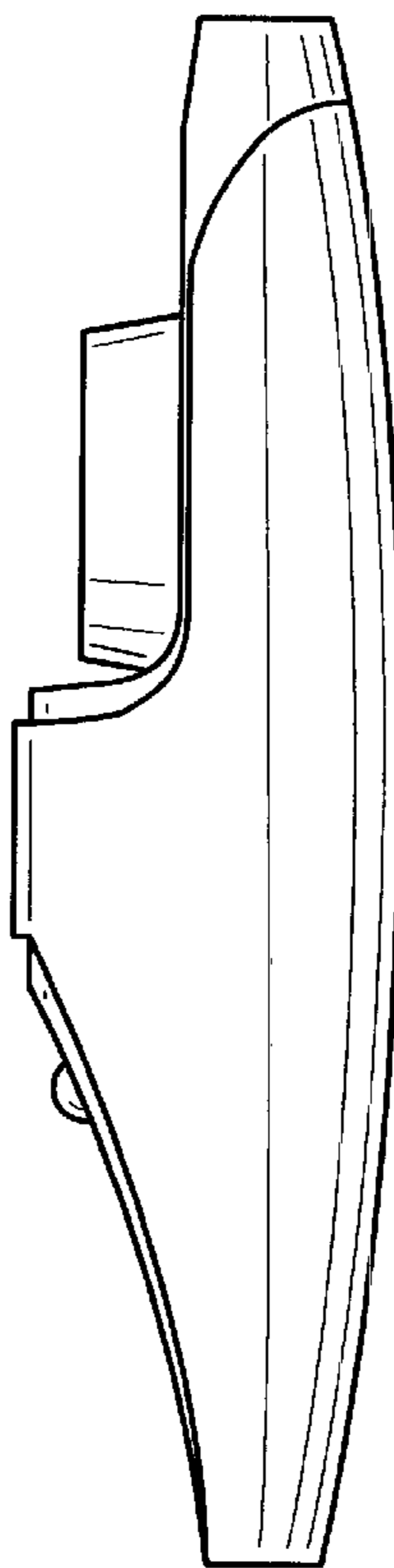


FIG._4

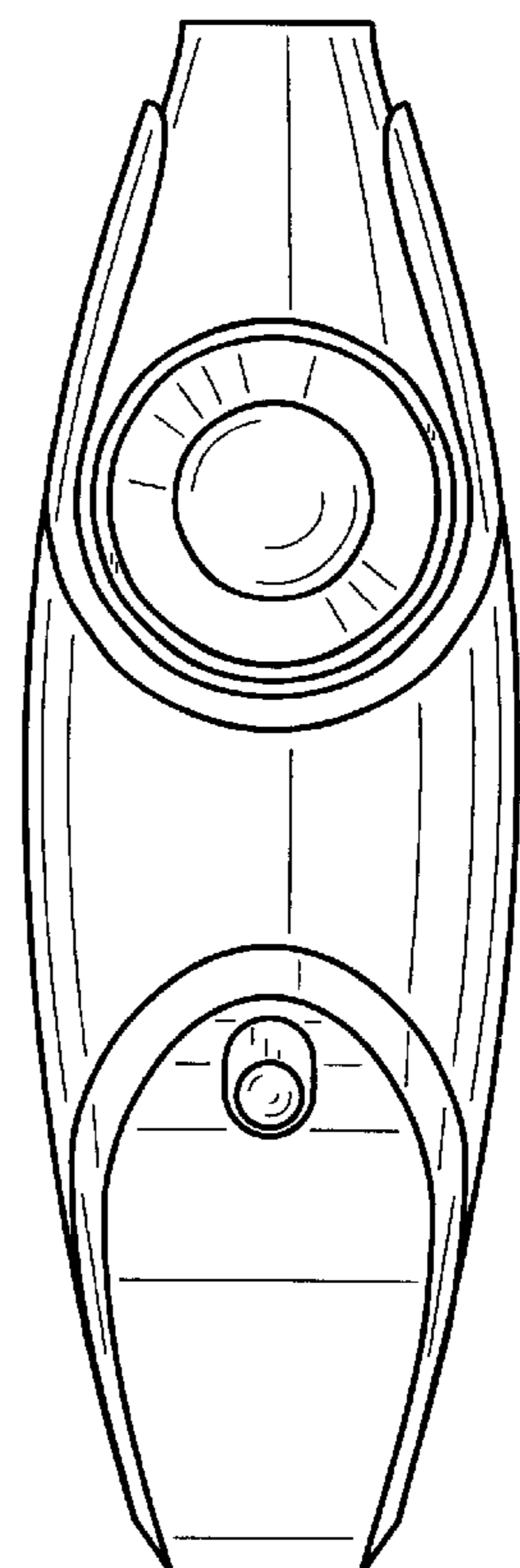


FIG._3