



US00D463785S

(12) **United States Design Patent**
Lee

(10) **Patent No.:** **US D463,785 S**

(45) **Date of Patent:** **** Oct. 1, 2002**

(54) **MULTIMEDIA SPEAKER**

6,144,746 A * 11/2000 Azima et al. 381/386
D438,530 S * 3/2001 Sawhney et al. D14/211

(75) Inventor: **Mei-Hung Lee, Tao Yuan (TW)**

* cited by examiner

(73) Assignee: **Tech-Audio Co., Ltd., Taoyuan (TW)**

Primary Examiner—Nanda Bondade

(**) Term: **14 Years**

(74) *Attorney, Agent, or Firm*—Philip K. Yu

(21) Appl. No.: **29/147,998**

(57) **CLAIM**

(22) Filed: **Sep. 10, 2001**

The ornamental design for a multimedia speaker, as shown and described.

(51) **LOC (7) Cl.** **14-01**

(52) **U.S. Cl.** **D14/214**

(58) **Field of Search** D14/204, 207,
D14/209–216; 181/144–145, 147–148,
150, 153, 157, 198–199; 381/300–302,
307, 345, 361–364, 386

DESCRIPTION

FIG. 1 is a first perspective view of the preferred embodiment of the multimedia speaker design showing my new design;

FIG. 2 is a second perspective view of the preferred embodiment of the multimedia speaker design; and,

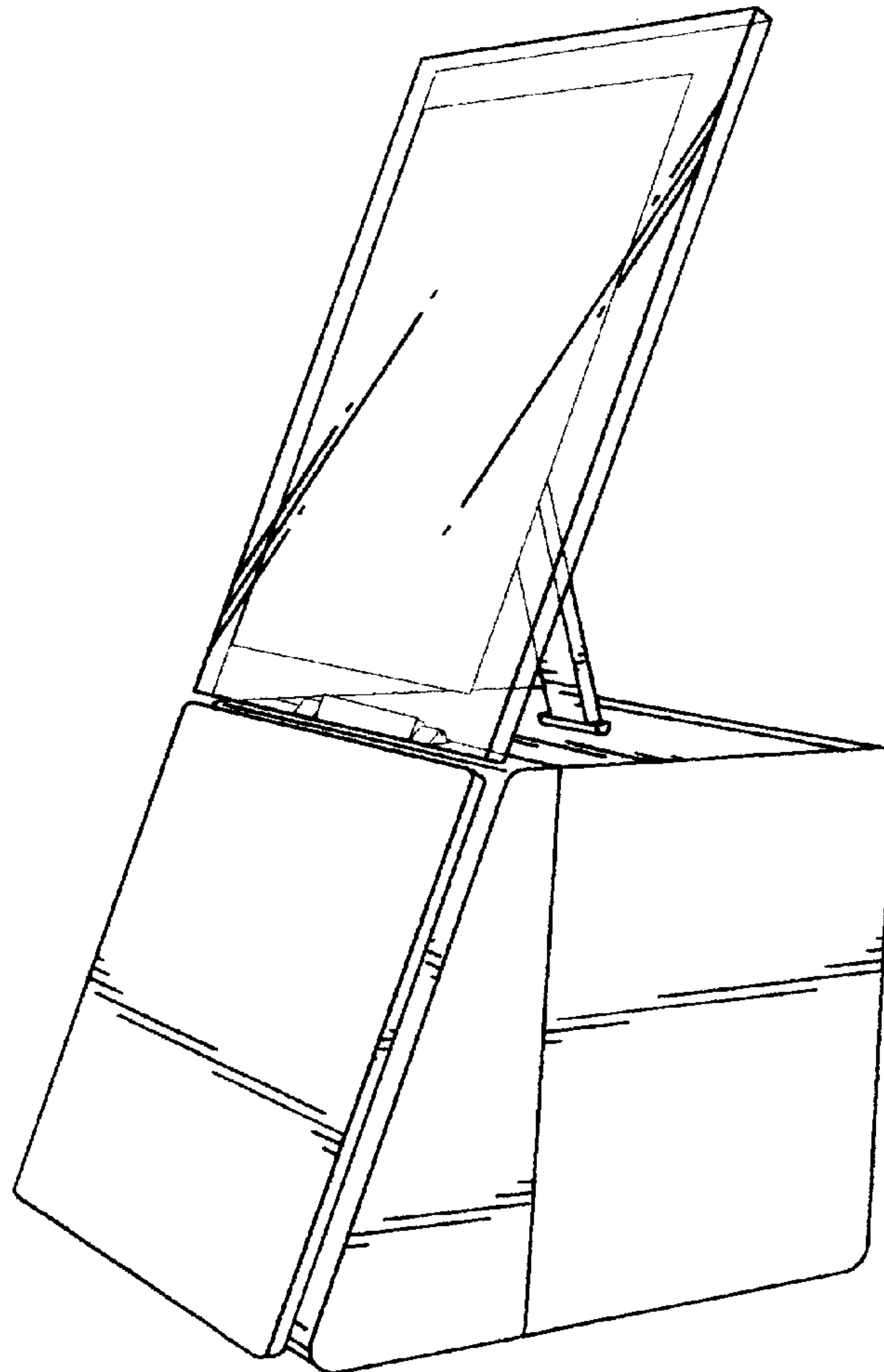
FIG. 3 is a third perspective view of the preferred embodiment of the multimedia speaker design.

(56) **References Cited**

U.S. PATENT DOCUMENTS

4,882,760 A * 11/1989 Yee 381/386
D426,539 S * 6/2000 Horikoshi D14/214

1 Claim, 2 Drawing Sheets



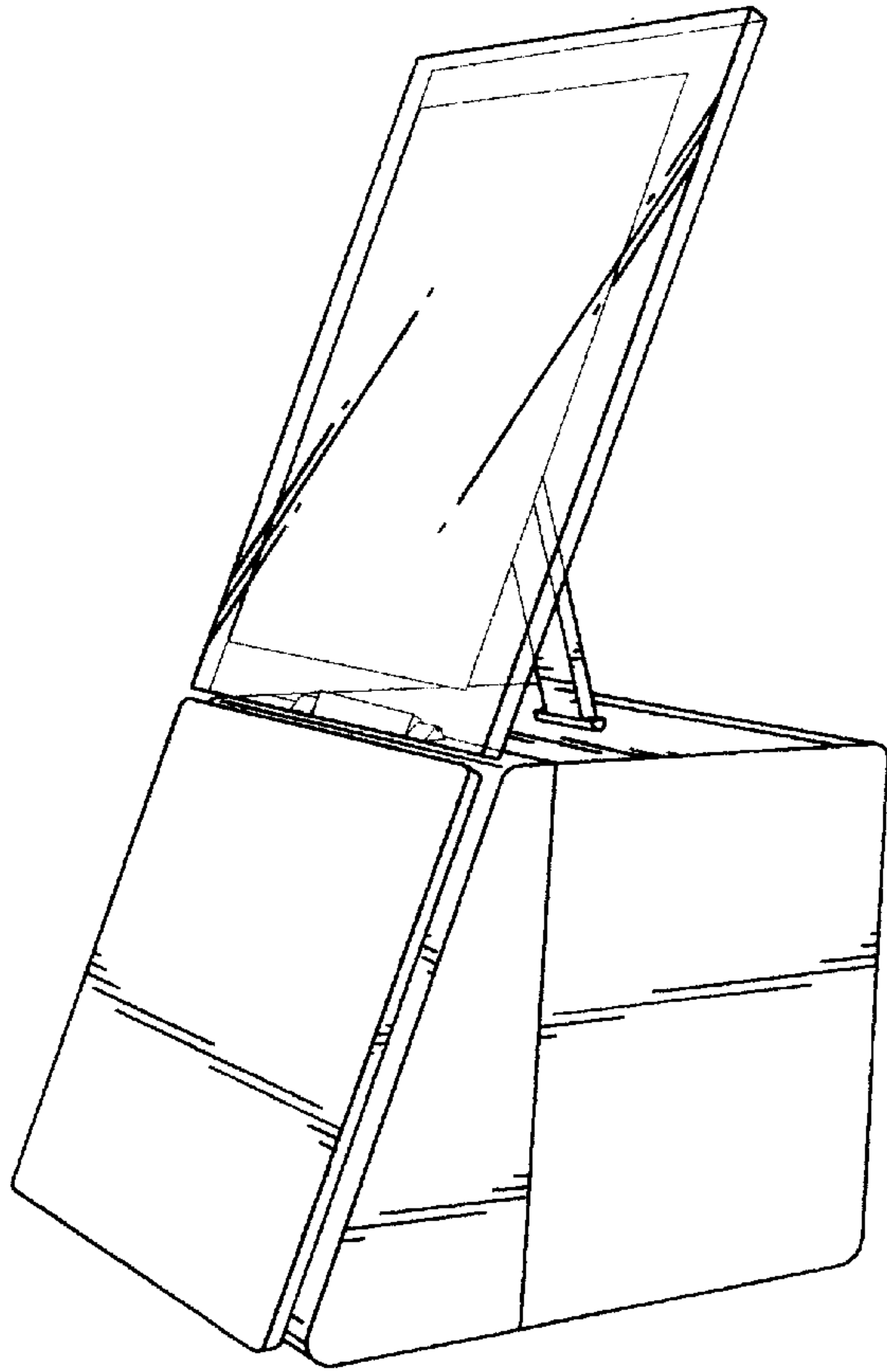


FIG. 1

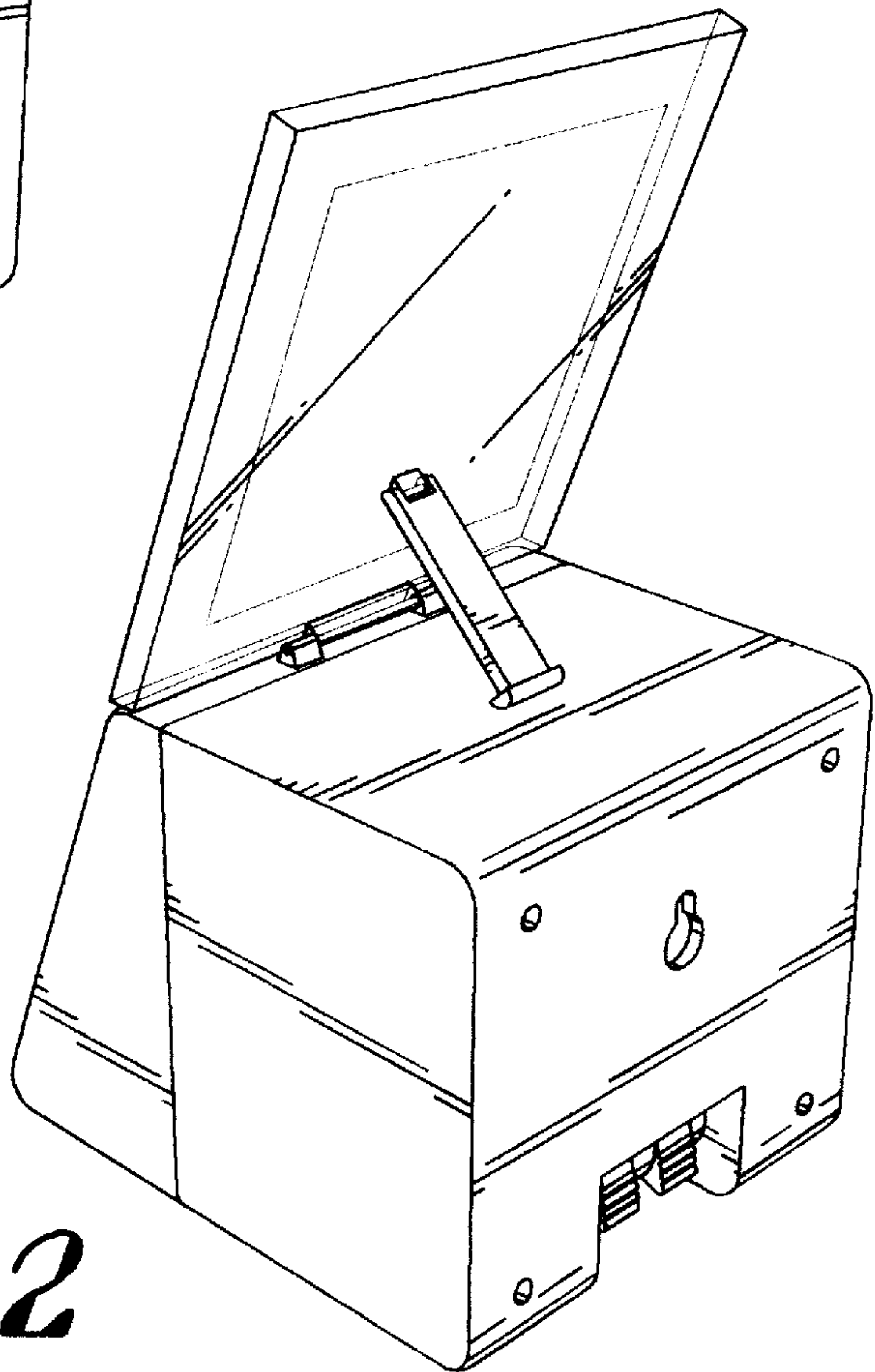


FIG. 2

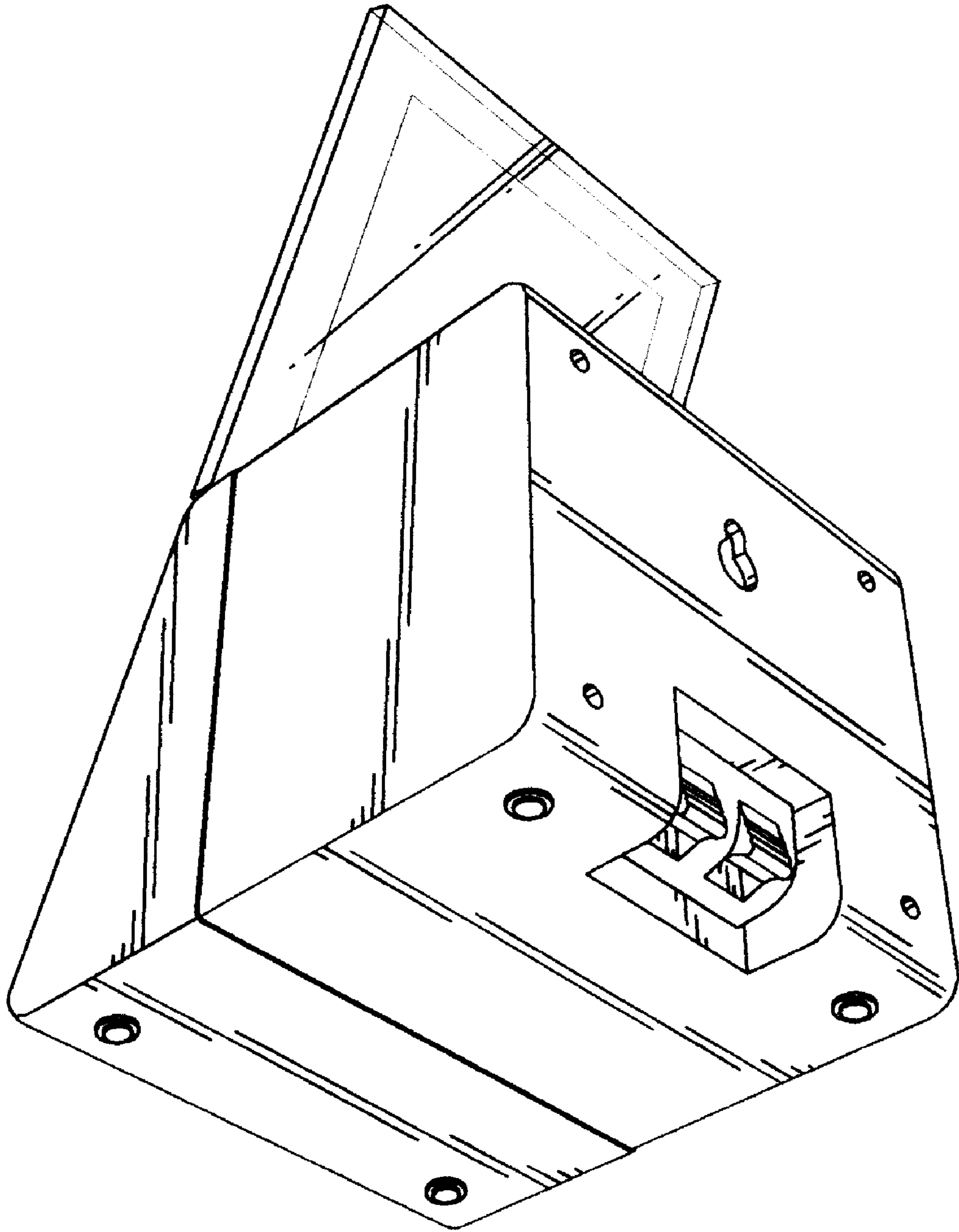


FIG. 3