



US00D463783S

(12) **United States Design Patent**
Rath

(10) **Patent No.:** **US D463,783 S**

(45) **Date of Patent:** **** Oct. 1, 2002**

(54) **SPRING BAND FOR A HEADSET**

D448,751 S * 10/2001 Pham et al. D14/206
D451,903 S * 12/2001 Amae et al. D14/206

(75) Inventor: **Klaus Rath**, Gentofte (DK)

OTHER PUBLICATIONS

(73) Assignee: **GN Netcom A/S**, Ballerup (DK)

Hosiden Electronic Components General Guide '92 (Catalog No. HC247), Product No. HBH0030, published under Japanese Design Section as document No. HC04003908.

(**) Term: **14 Years**

* cited by examiner

(21) Appl. No.: **29/144,800**

Primary Examiner—Paula A. Mortimer

(22) Filed: **Jul. 10, 2001**

(74) *Attorney, Agent, or Firm*—Altera Law Group, LLC

(30) **Foreign Application Priority Data**

(57) **CLAIM**

Jan. 12, 2001 (DK) MA 2001 00058

The ornamental design for a spring band for a headset, as shown and described.

(51) **LOC (7) Cl.** **14-01**

DESCRIPTION

(52) **U.S. Cl.** **D14/206**

FIG. 1 is a perspective view of a spring band for a headset showing my new design, the cord is drawn broken away for ease of illustration;

(58) **Field of Search** D14/142, 206,
D14/223; 379/430; 381/183, 187, 376,
378, 379, 381, 385

FIG. 2 is a back view thereof;

(56) **References Cited**

U.S. PATENT DOCUMENTS

- D344,730 S * 3/1994 Gattey et al. D14/206
- D365,559 S * 12/1995 Fathi D14/142
- D377,020 S * 12/1996 Bungardt et al. D14/205
- D394,437 S * 5/1998 Landreth et al. D14/206
- 6,154,539 A * 11/2000 Pitel 379/430
- D436,348 S * 1/2001 McGiugan D14/142

FIG. 3 is a left side view thereof;

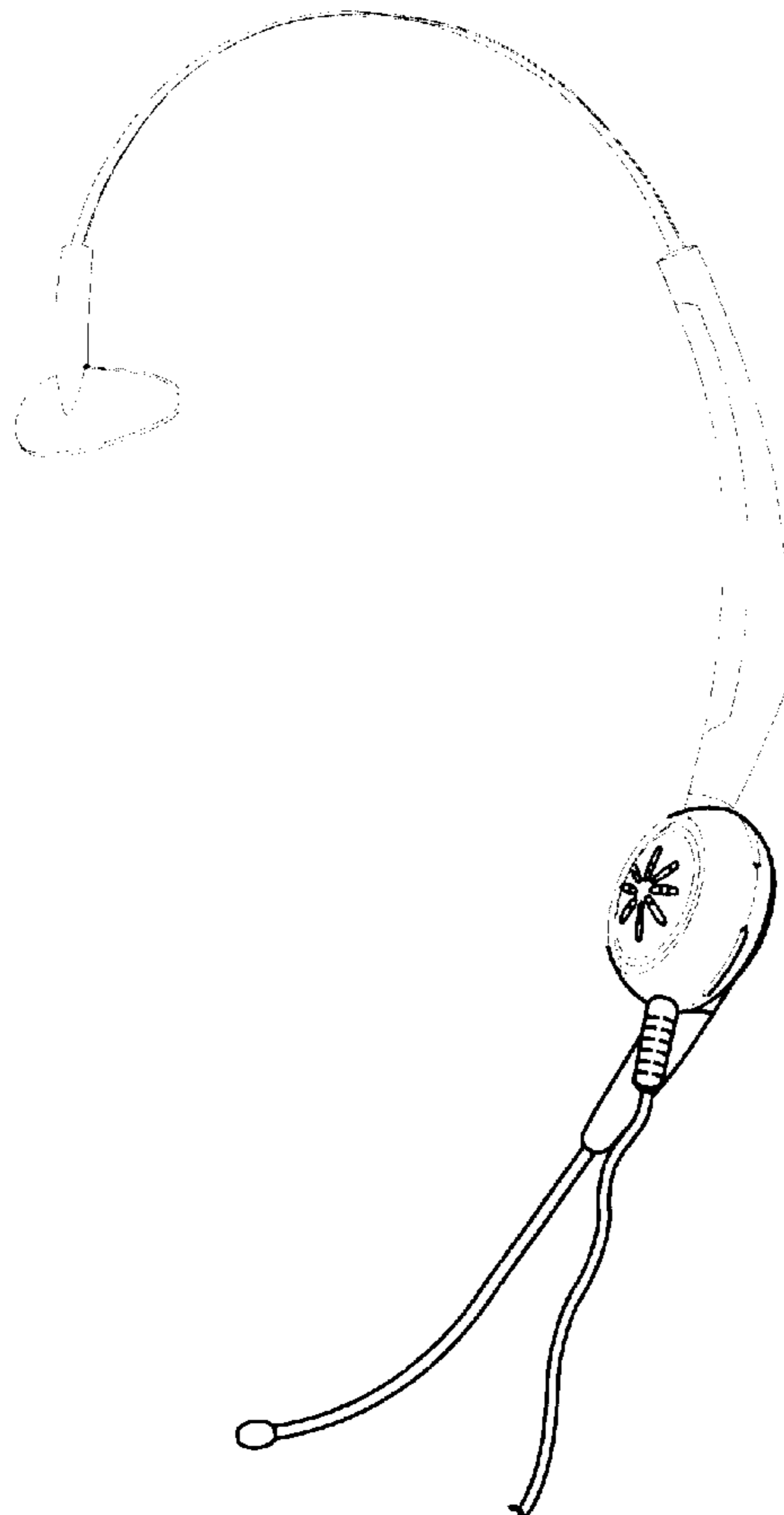
FIG. 4 is a front view thereof;

FIG. 5 is a right side view thereof;

FIG. 6 is a top view thereof; and,

FIG. 7 is a bottom view thereof.

1 Claim, 2 Drawing Sheets



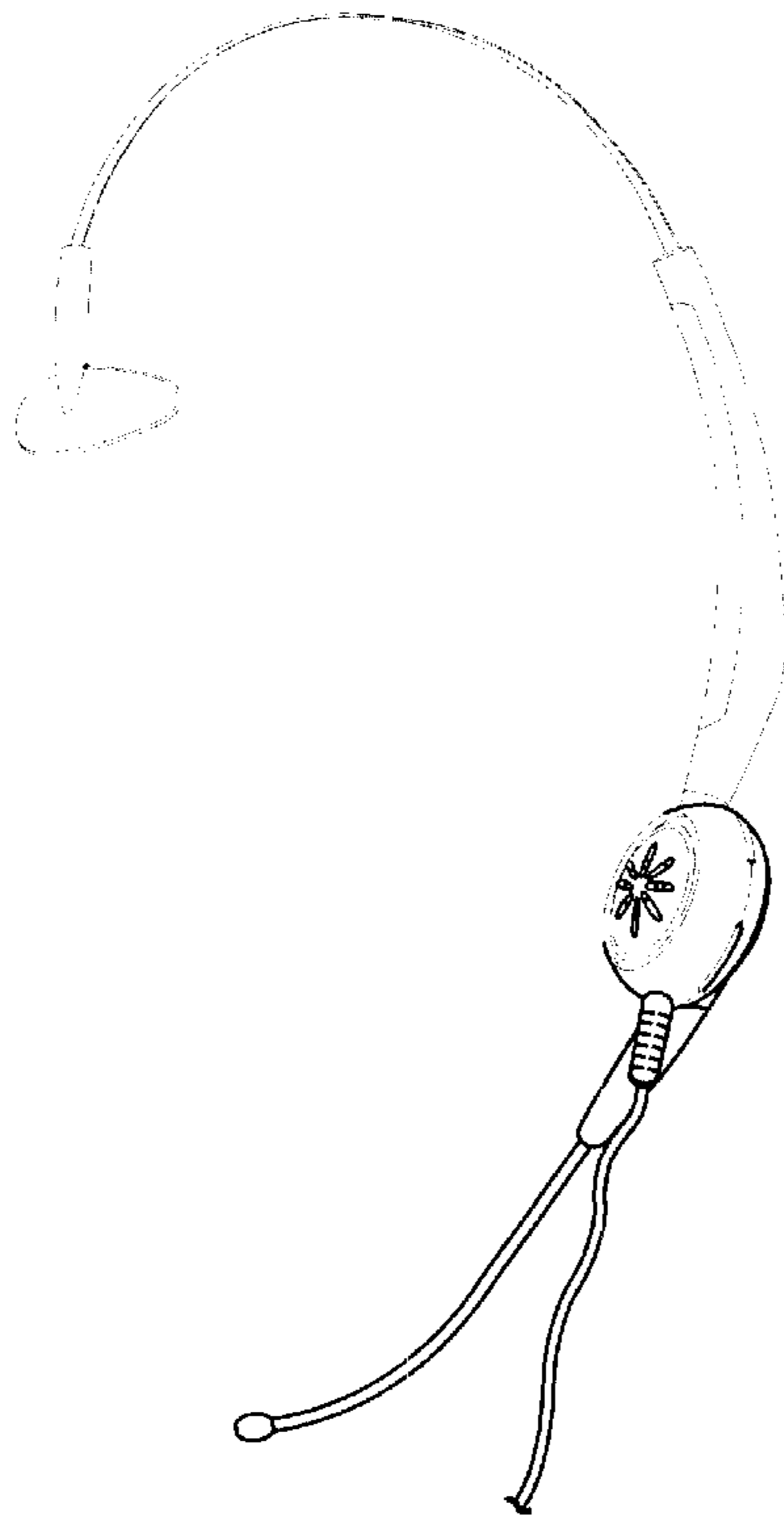


Fig. 1

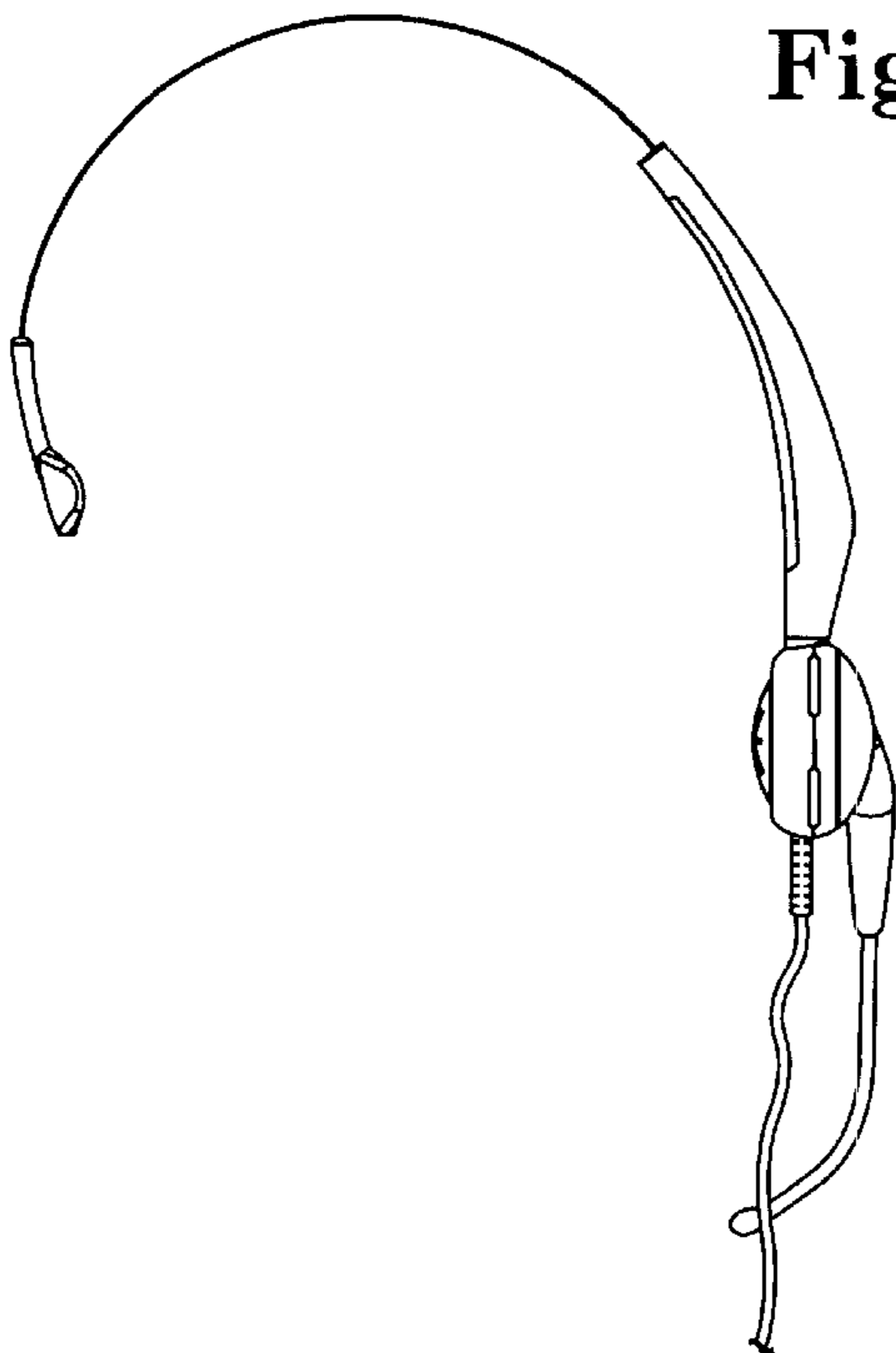


Fig. 2

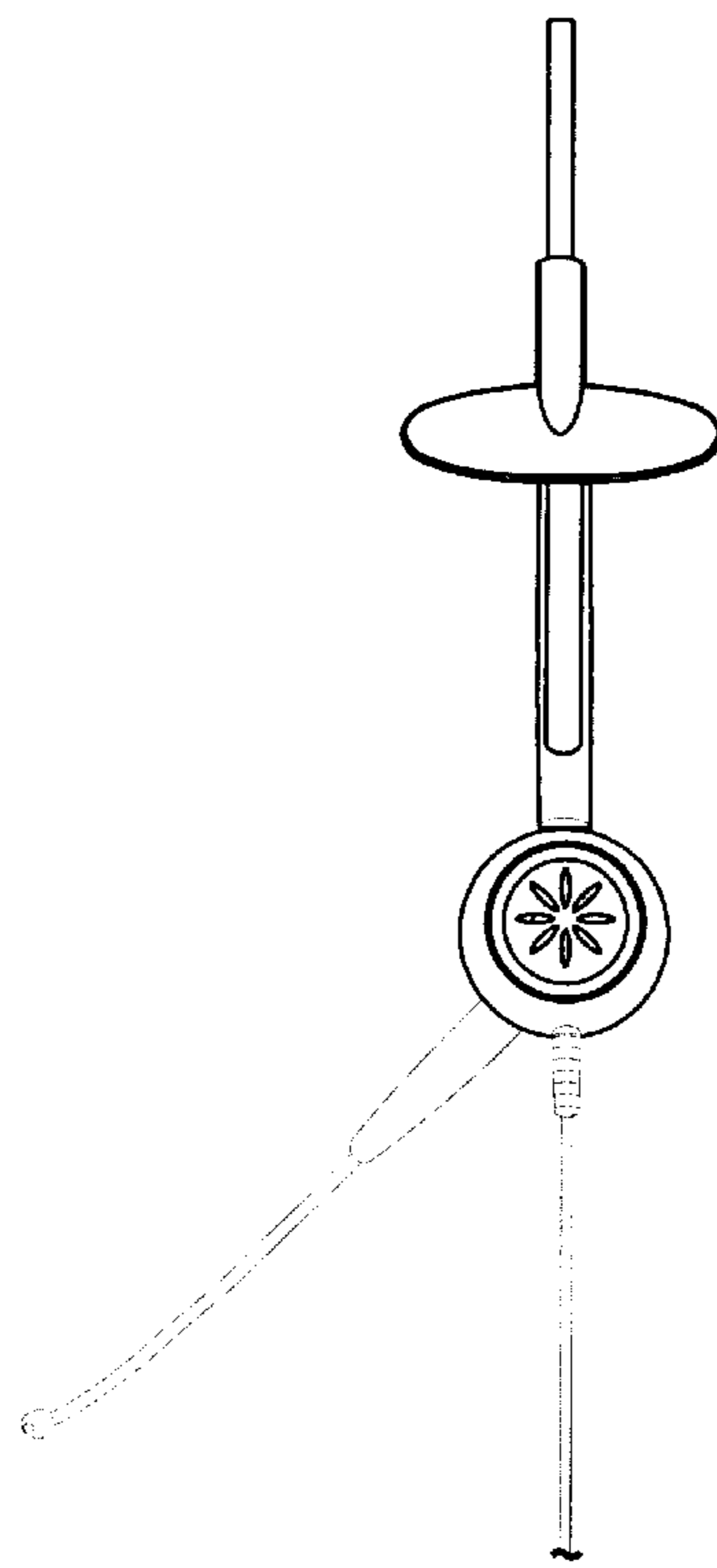


Fig. 3

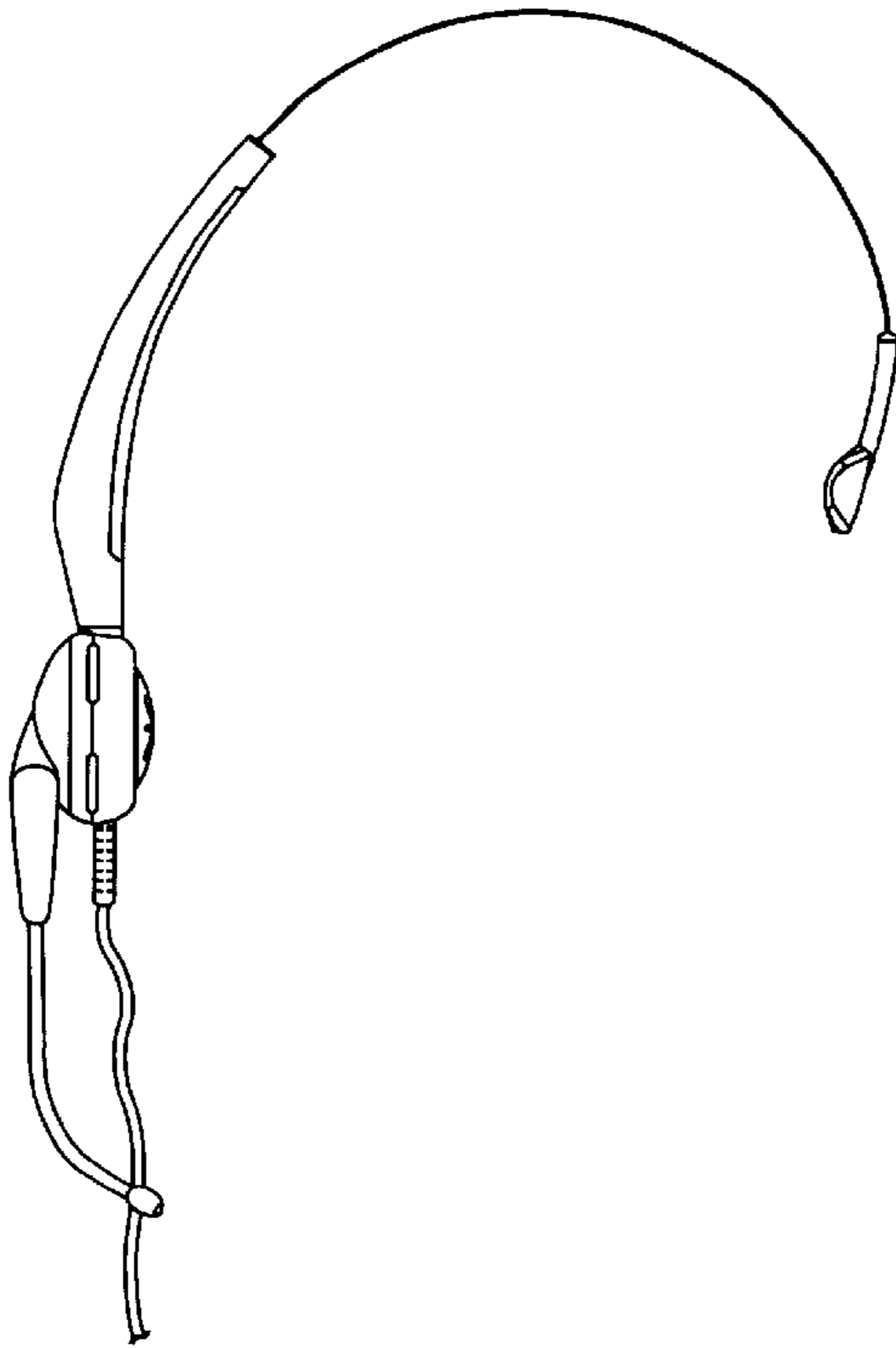


Fig. 4

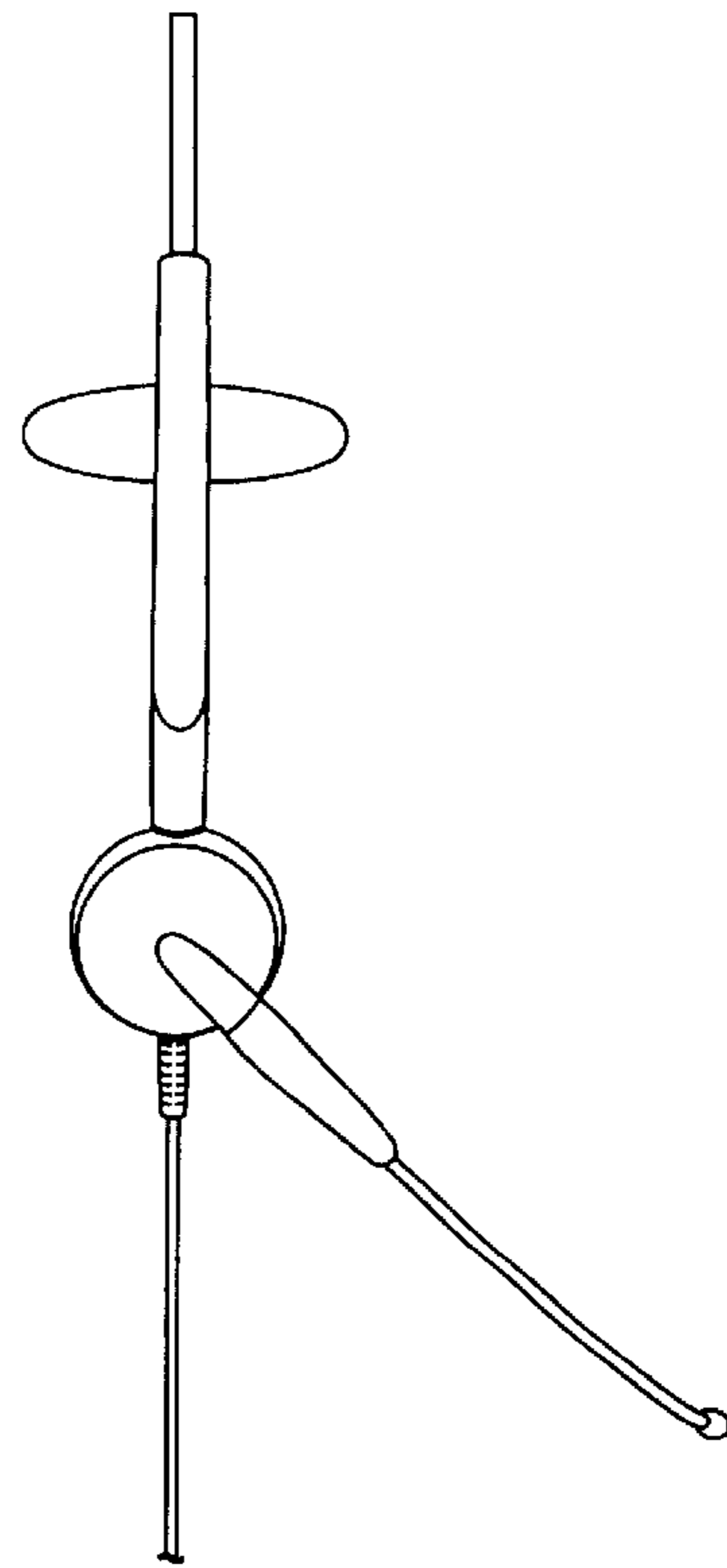


Fig. 5

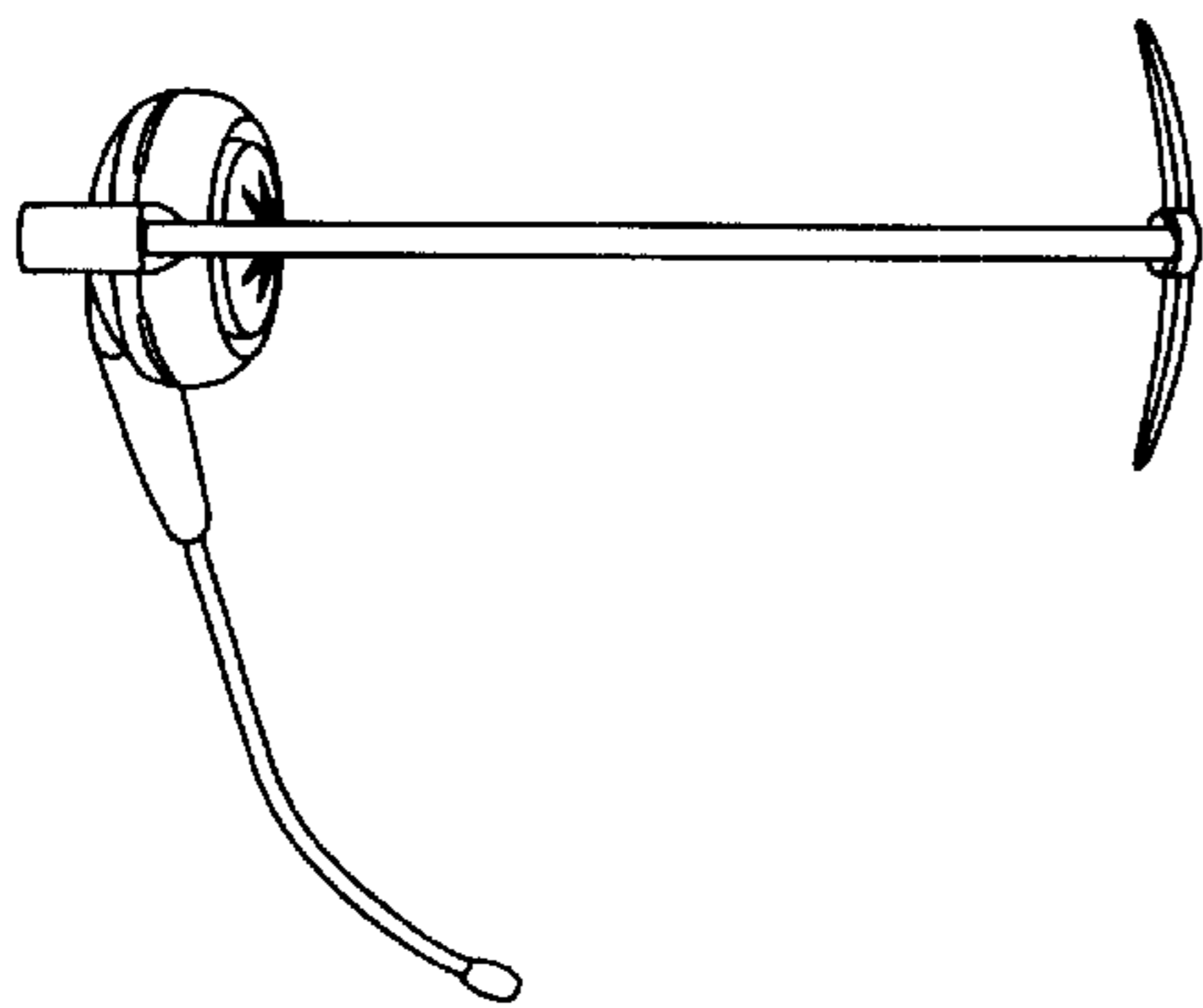


Fig. 6

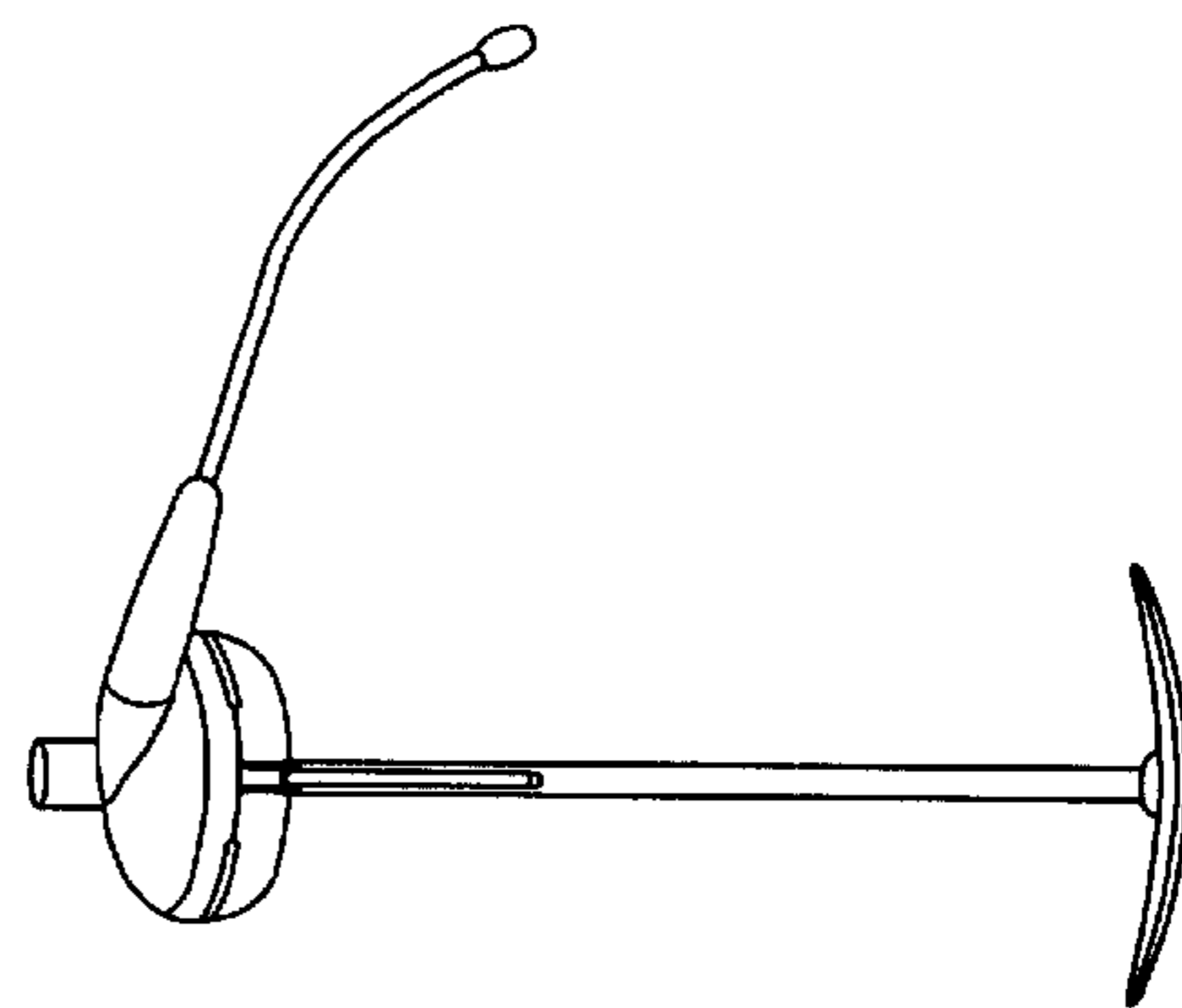


Fig. 7