



US00D463782S

(12) **United States Design Patent**
Chan

(10) **Patent No.:** **US D463,782 S**

(45) **Date of Patent:** **** Oct. 1, 2002**

(54) **MINI PORTABLE RADIO**

(75) **Inventor:** **Yin Chau Chan**, New Territories (HK)

(73) **Assignee:** **Gonica Electronic Co., Ltd.**, New Territories (HK)

(**) **Term:** **14 Years**

(21) **Appl. No.:** **29/150,289**

(22) **Filed:** **Nov. 20, 2001**

(51) **LOC (7) Cl.** **14-03**

(52) **U.S. Cl.** **D14/196; D14/198**

(58) **Field of Search** D14/160-165,
D14/167-168, 188, 193-198; D21/516;
455/344-345, 347, 350-351

(56) **References Cited**

U.S. PATENT DOCUMENTS

5,146,618 A * 9/1992 Wenner 455/345
D365,823 S * 1/1996 Borgonovo D14/168

D376,801 S * 12/1996 Hanig et al. D14/171
D378,213 S * 2/1997 Hanig et al. D14/196
D434,025 S * 11/2000 Zeitman D14/168

* cited by examiner

Primary Examiner—Nanda Bondade

(74) *Attorney, Agent, or Firm*—Rabin & Berdo, P.C.

(57) **CLAIM**

The ornamental design for a mini portable radio, as shown and described.

DESCRIPTION

FIG. 1 is a front view of a mini portable radio showing my new design;

FIG. 2 is a rear view thereof;

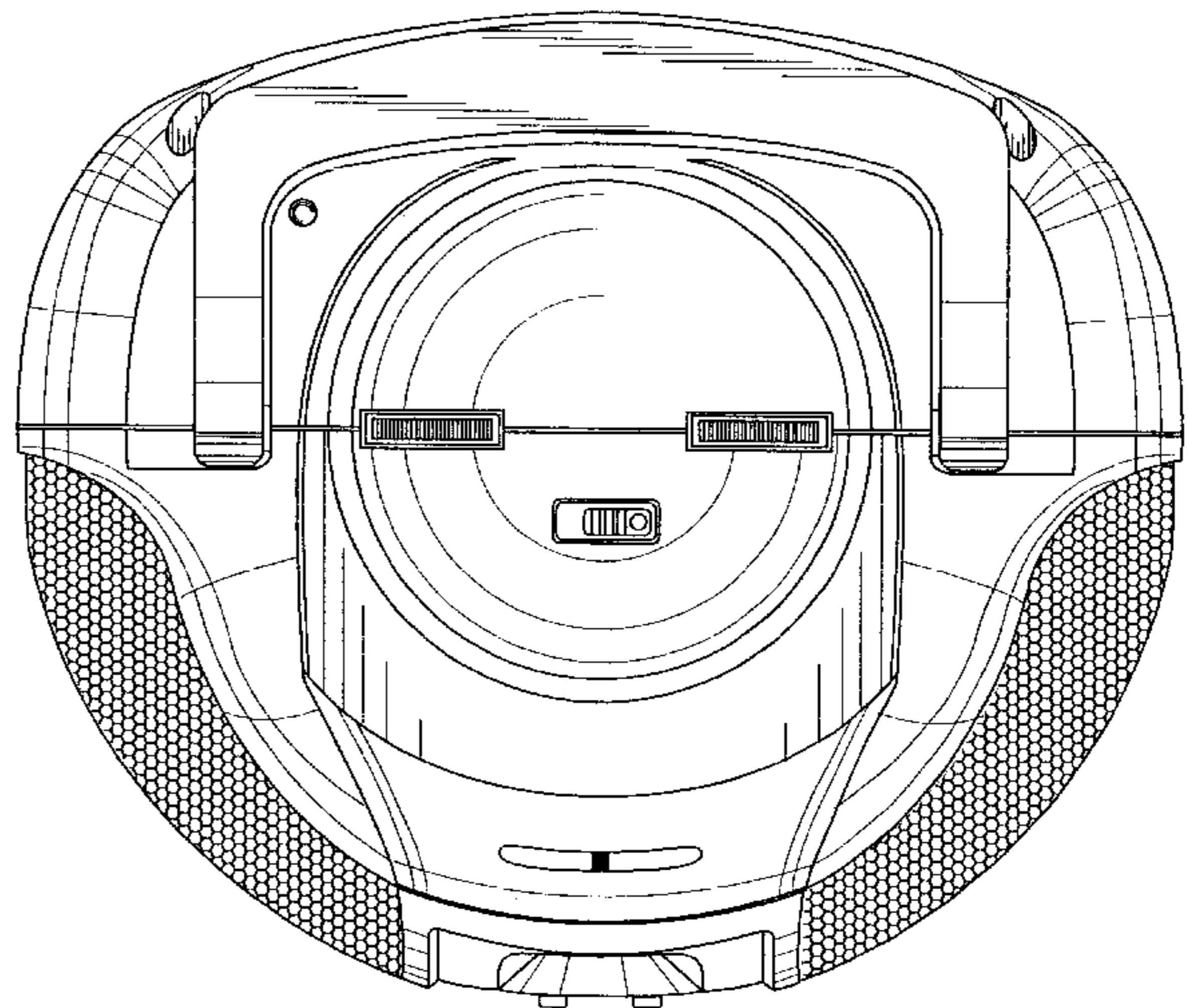
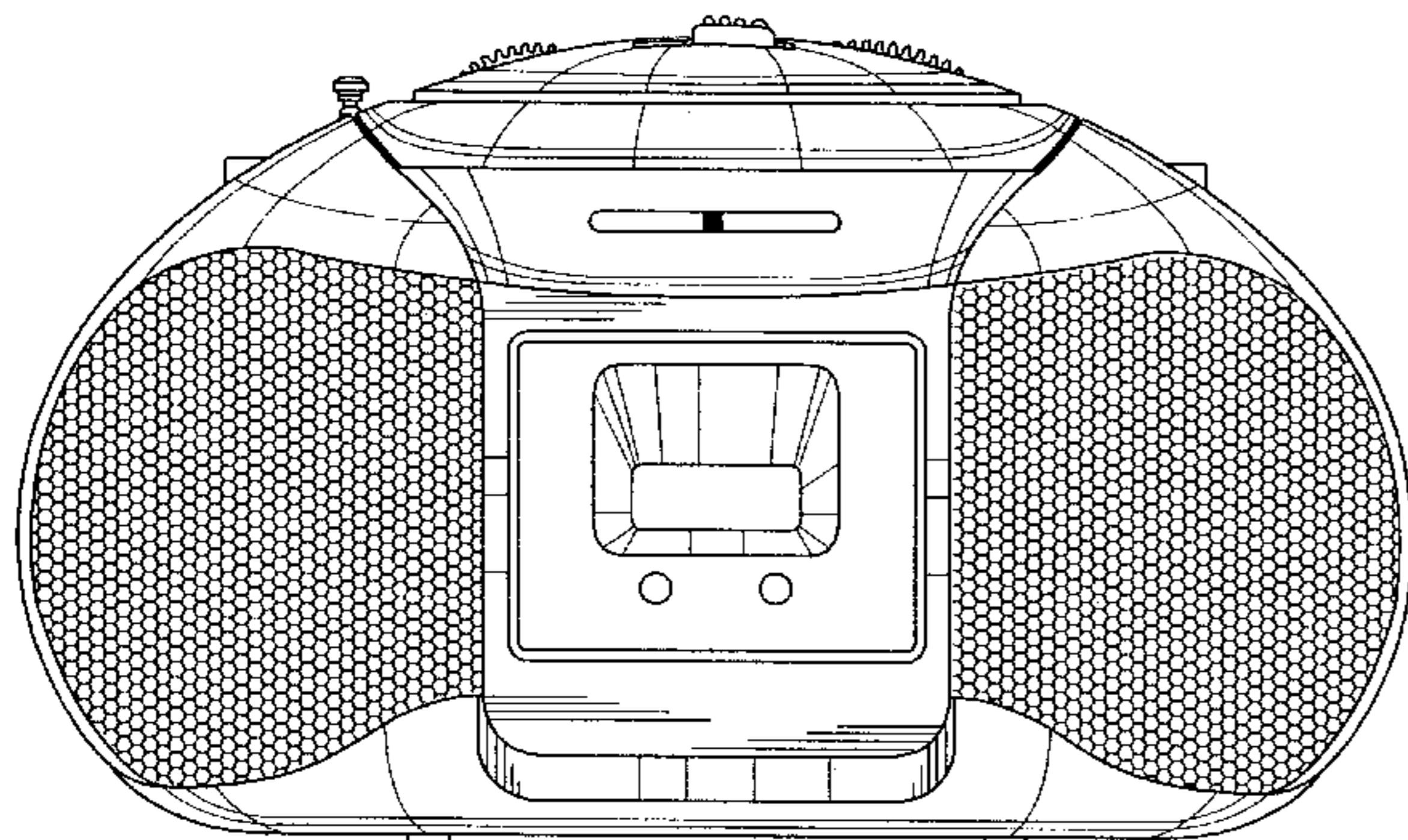
FIG. 3 is a left side view thereof;

FIG. 4 is a right side view thereof;

FIG. 5 is a top view thereof; and,

FIG. 6 is a bottom view thereof.

1 Claim, 6 Drawing Sheets



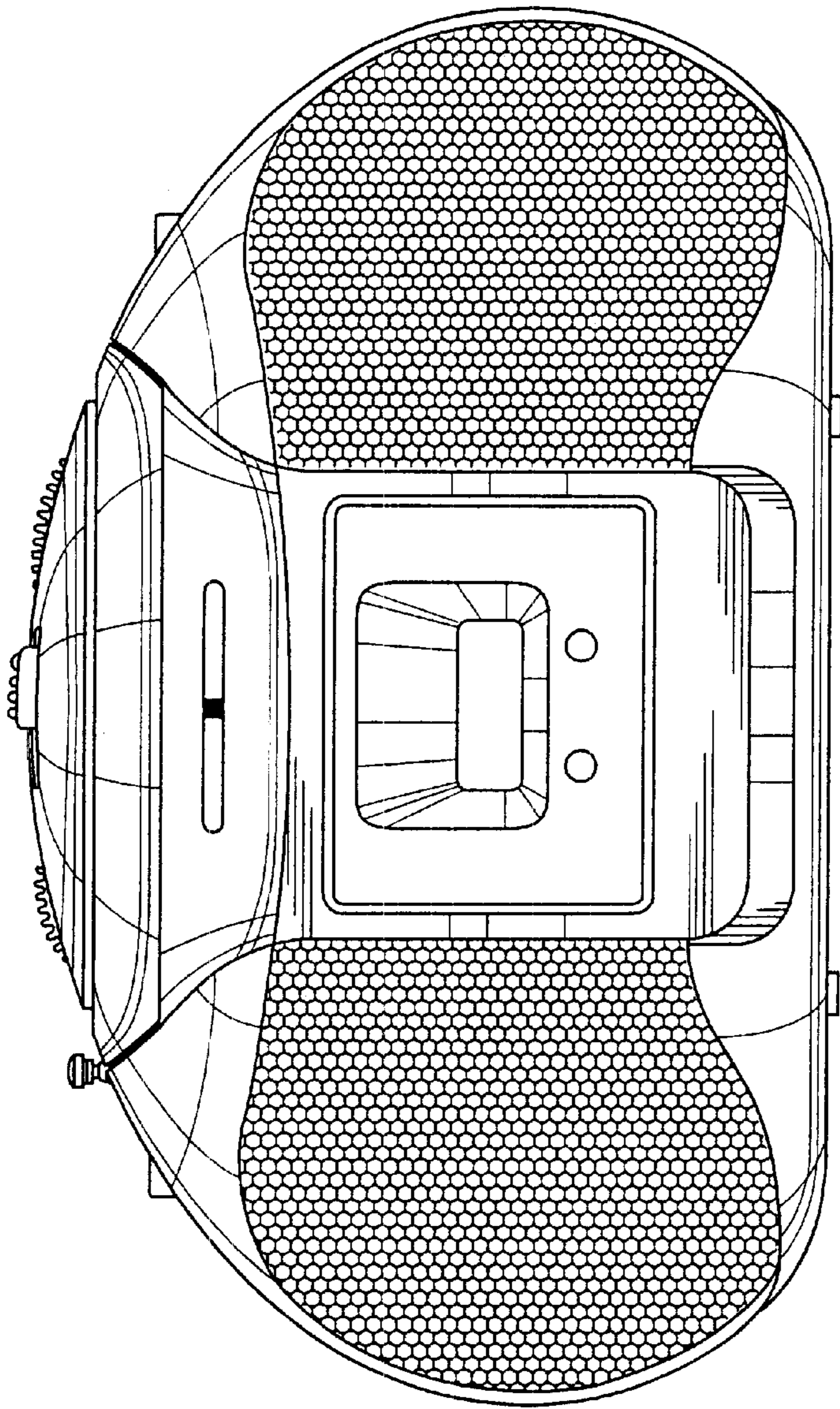


FIG 1

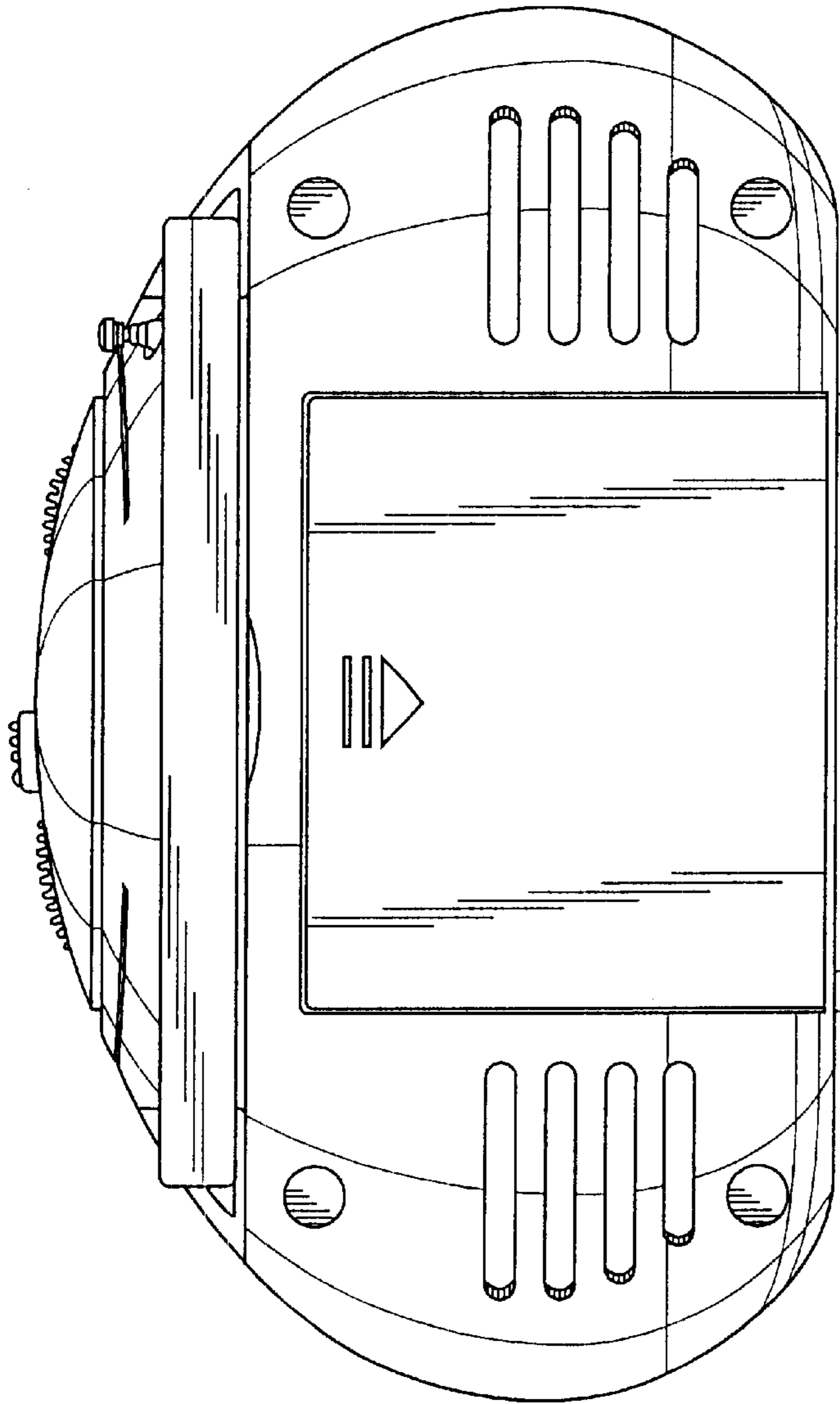


FIG 2

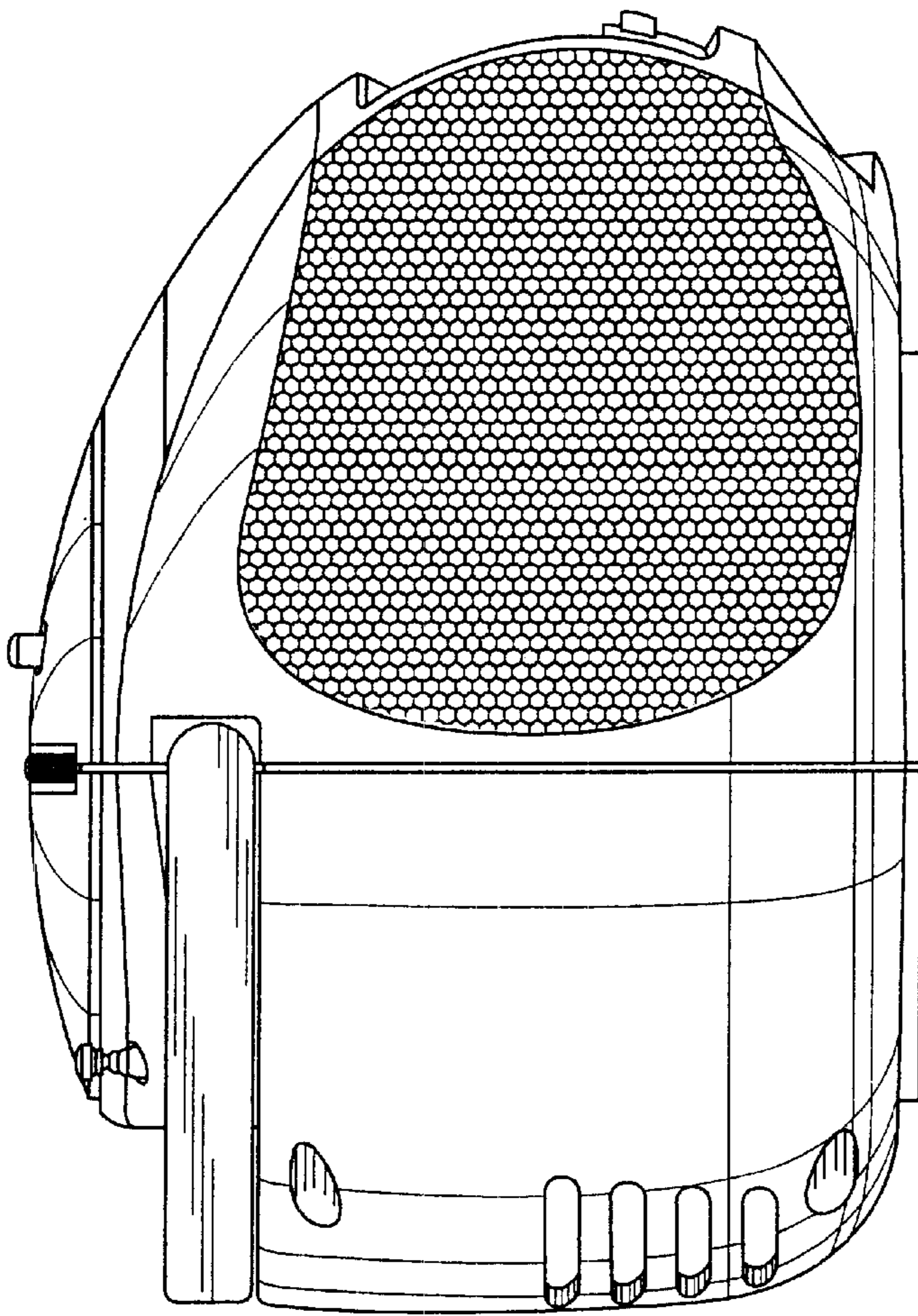


FIG 3

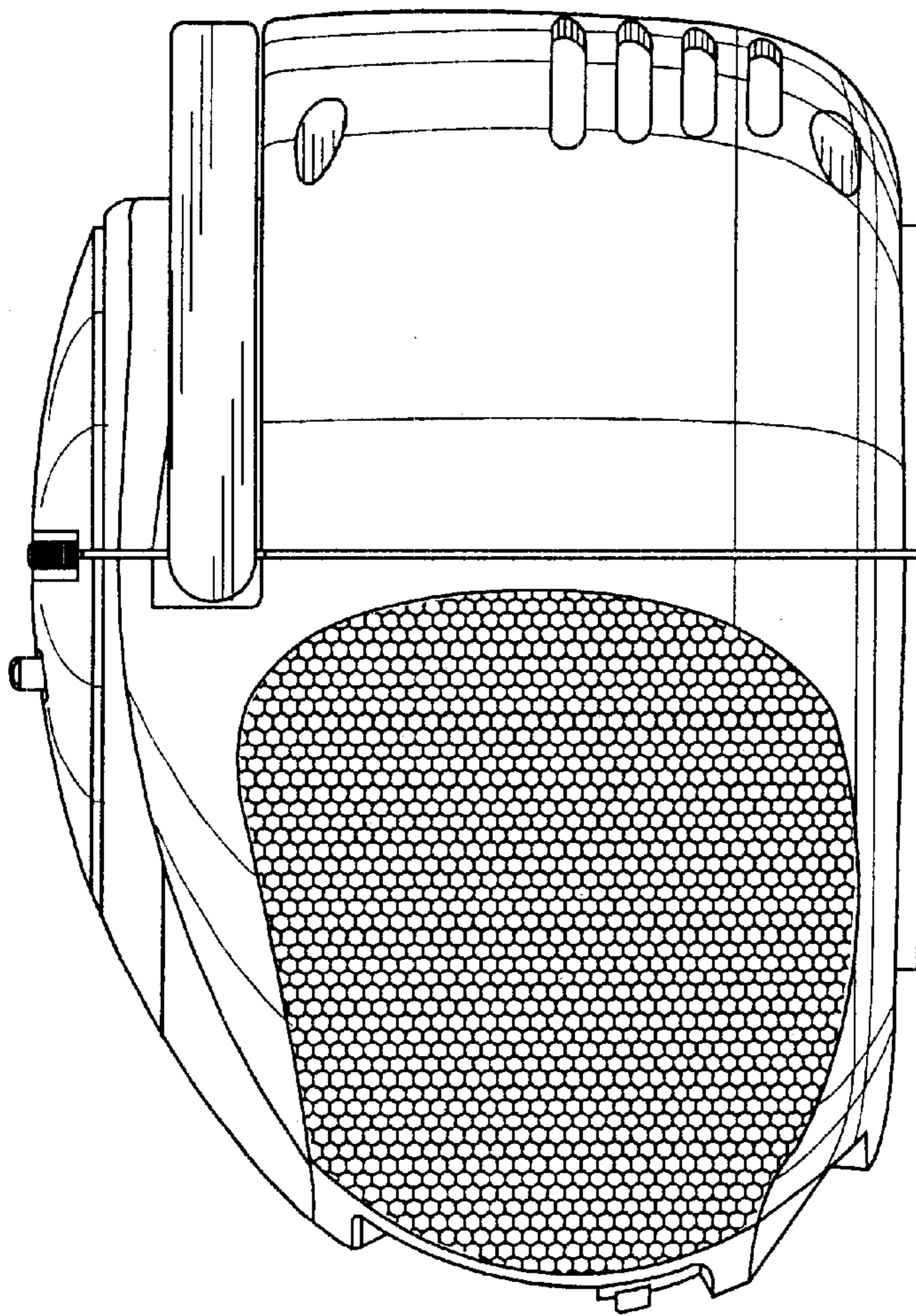


FIG 4

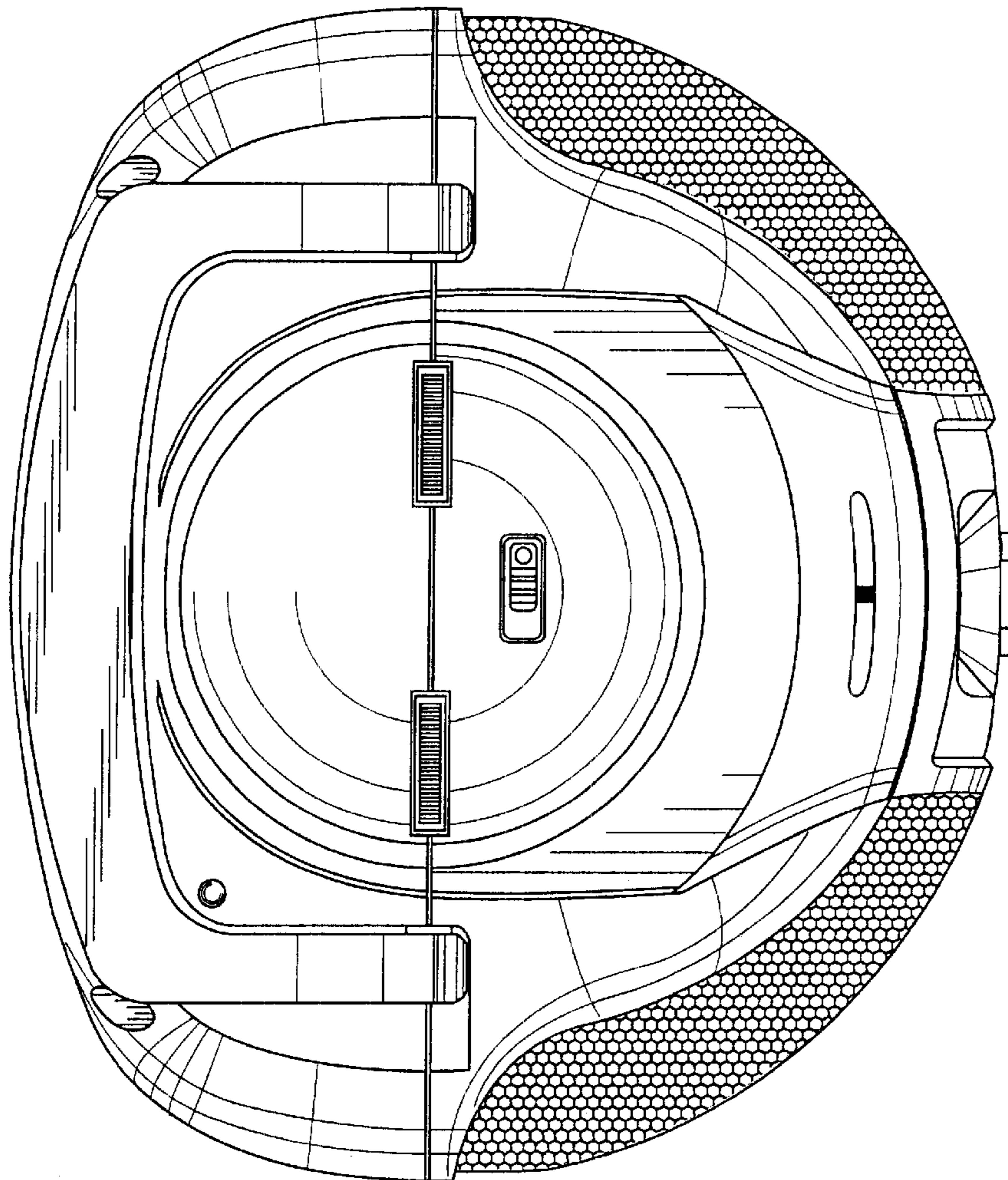


FIG 5

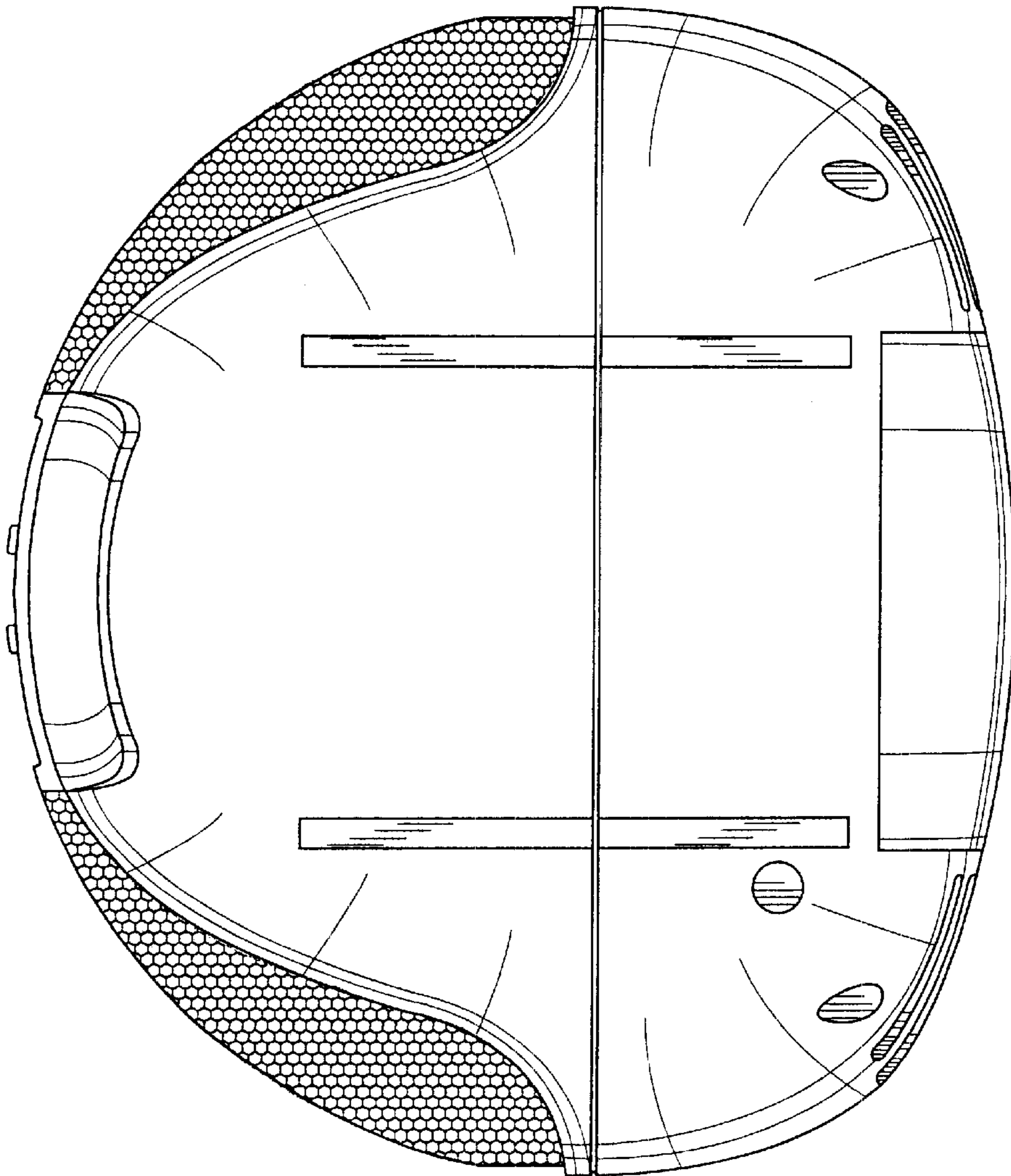


FIG 6