



US00D463780S

(12) **United States Design Patent**
Hung

(10) **Patent No.:** **US D463,780 S**

(45) **Date of Patent:** **** Oct. 1, 2002**

(54) **VIDEO PHONE**

(75) **Inventor:** **Hsien Che Hung, Hsinchu (TW)**

(73) **Assignee:** **AIPTEK International Inc., Hsinchu (TW)**

(**) **Term:** **14 Years**

(21) **Appl. No.:** **29/145,659**

(22) **Filed:** **Jul. 26, 2001**

(51) **LOC (7) Cl.** **14-03**

(52) **U.S. Cl.** **D14/130**

(58) **Field of Search** D14/329, 330,
D14/447, 148, 147, 149-151, 140-142,
240, 241, 129, 130, 144, 317; 379/420.01,
420.02, 420.03, 419, 420.04, 428.02, 428.01,
428.04, 428.03, 454, 440, 90.01, 93.17,
93.19, 433-436, 900, 441; 348/14.01-14.16

(56) **References Cited**

U.S. PATENT DOCUMENTS

| | | | | | |
|-------------|---|---------|--------------------|-------|-----------|
| D279,563 S | * | 7/1985 | Menei et al. | | D14/130 |
| 4,533,791 A | * | 8/1985 | Read et al. | | 379/93.17 |
| D309,304 S | * | 7/1990 | Takada et al. | | D14/144 |
| D315,557 S | * | 3/1991 | Grewe et al. | | D14/130 |
| D321,870 S | * | 11/1991 | Beecher, II et al. | | D14/130 |
| 5,077,784 A | * | 12/1991 | Fujita et al. | | 348/14.05 |
| 5,305,097 A | * | 4/1994 | Sato et al. | | 348/14.01 |
| D350,743 S | * | 9/1994 | Hicks, III et al. | | D14/130 |
| 5,389,965 A | * | 2/1995 | Kuzma | | 348/14.05 |

| | | | | | |
|-------------|---|---------|--------------------|-------|-----------|
| D356,791 S | * | 3/1995 | Desbarats | | D14/130 |
| 5,396,269 A | * | 3/1995 | Gotoh et al. | | 348/14.01 |
| 5,412,417 A | * | 5/1995 | Tozuka | | 348/14.01 |
| 5,430,473 A | * | 7/1995 | Beecher, II et al. | | 348/14.05 |
| 5,587,735 A | * | 12/1996 | Ishida et al. | | 348/14.04 |
| 5,677,727 A | * | 10/1997 | Gotoh et al. | | 348/14.01 |
| D396,451 S | * | 7/1998 | Wicks | | D14/329 |
| D398,302 S | * | 9/1998 | Lio | | D14/130 |
| D402,978 S | * | 12/1998 | Wang et al. | | D14/130 |
| 5,966,164 A | * | 10/1999 | Gotoh et al. | | 348/14.01 |
| D425,053 S | * | 5/2000 | Clark et al. | | D14/130 |
| 6,118,653 A | * | 9/2000 | Kim | | 361/683 |
| D435,526 S | * | 12/2000 | Huang et al. | | D14/130 |

* cited by examiner

Primary Examiner—Jeffrey Asch

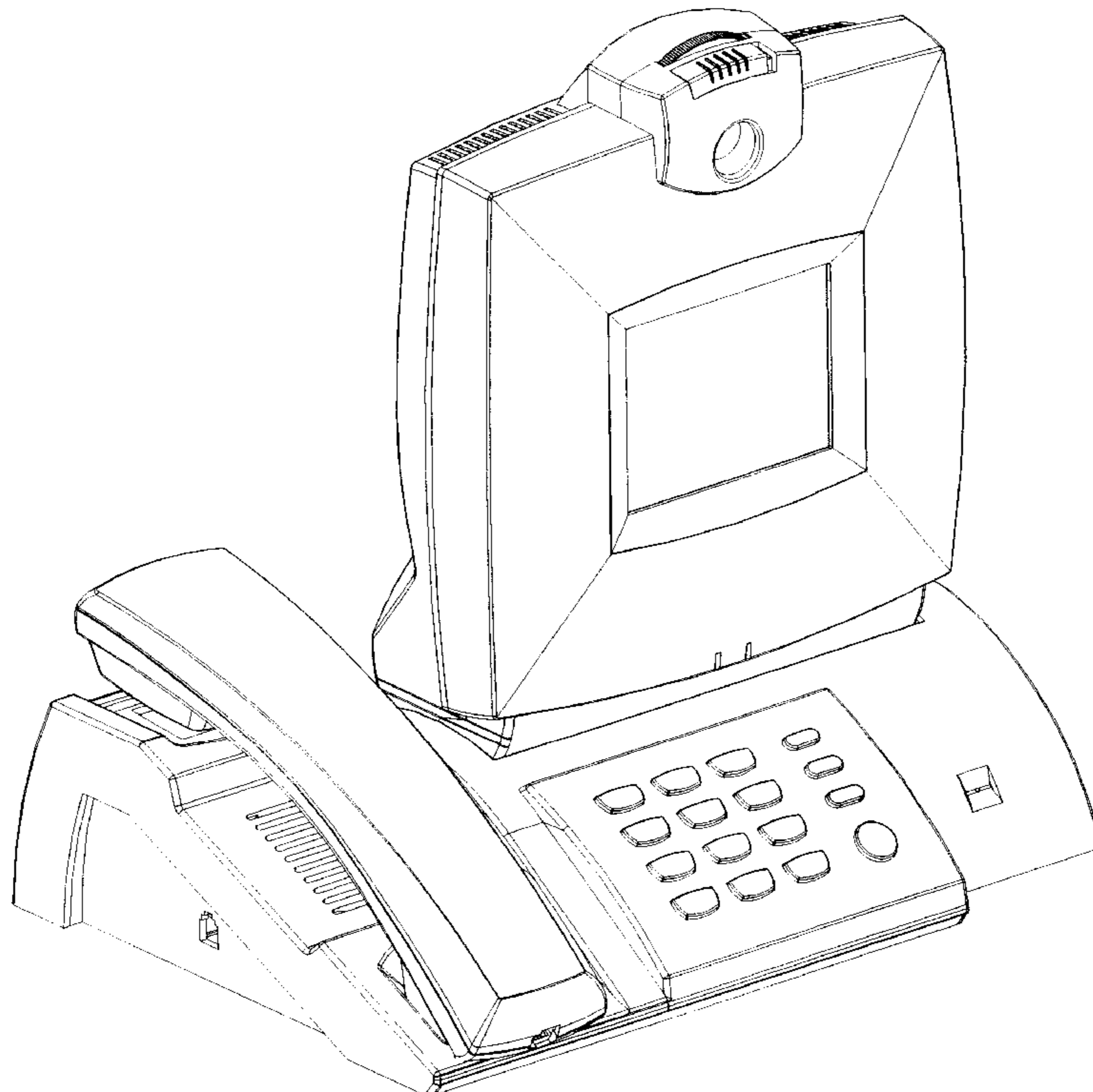
(57) **CLAIM**

The ornamental design for video phone, as shown and described.

DESCRIPTION

FIG. 1 is a perspective view of video phone showing my new design;
FIG. 2 is a front elevational view thereof;
FIG. 3 is a rear elevational view thereof;
FIG. 4 is a left side elevational view thereof;
FIG. 5 is a right side elevational view thereof;
FIG. 6 is a top view thereof; and,
FIG. 7 is a bottom view thereof.

1 Claim, 7 Drawing Sheets



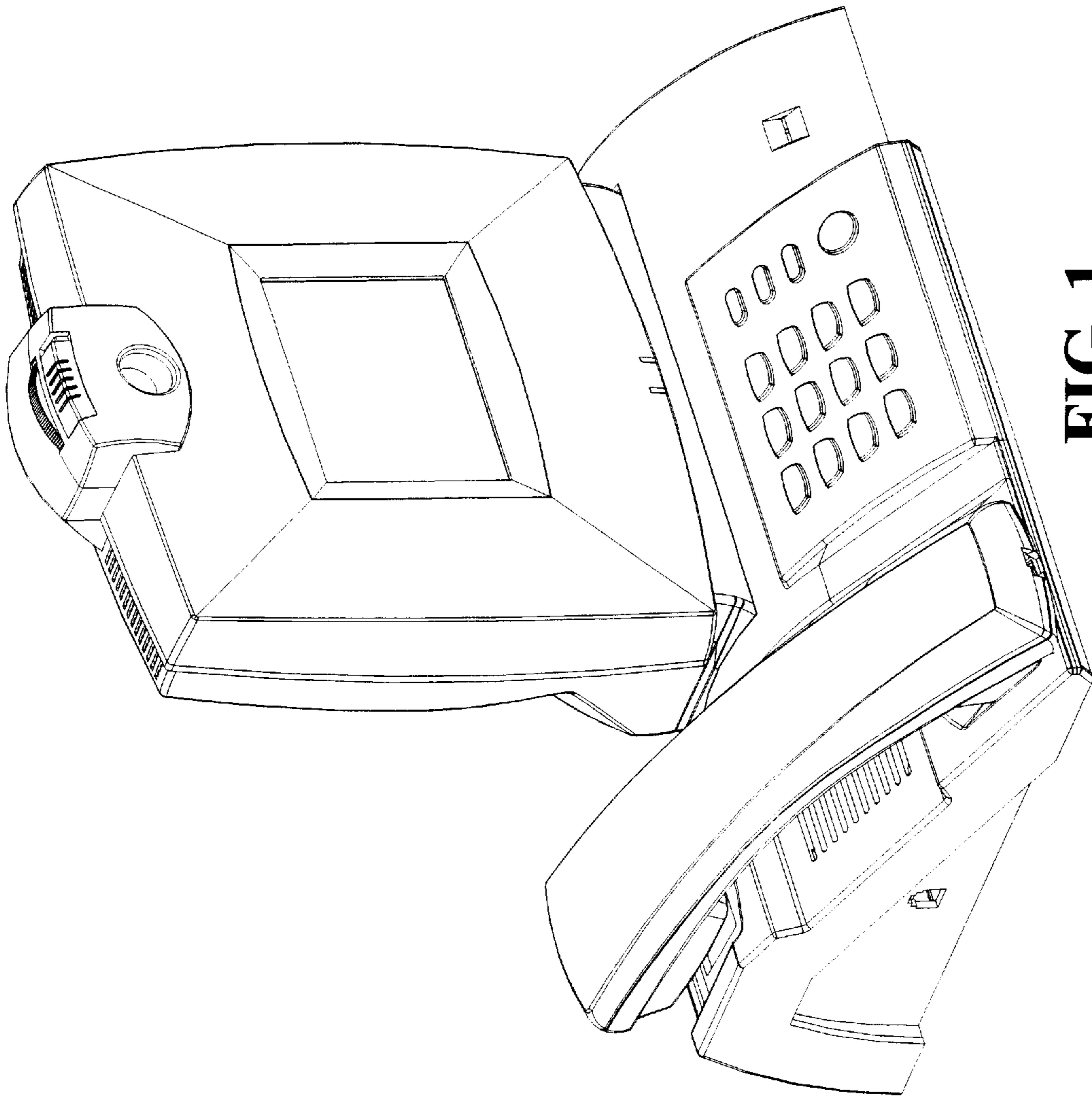


FIG. 1

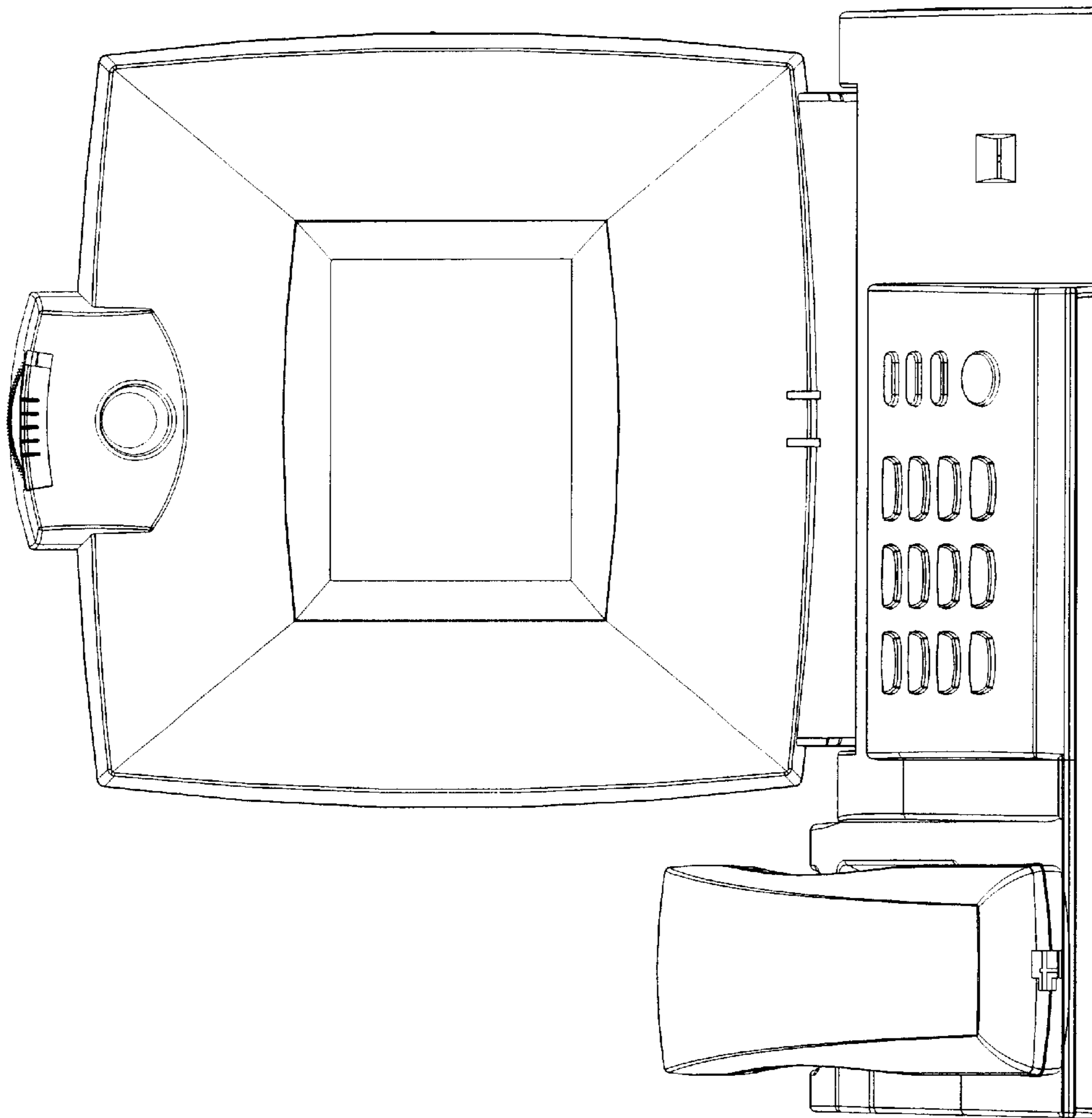


FIG. 2

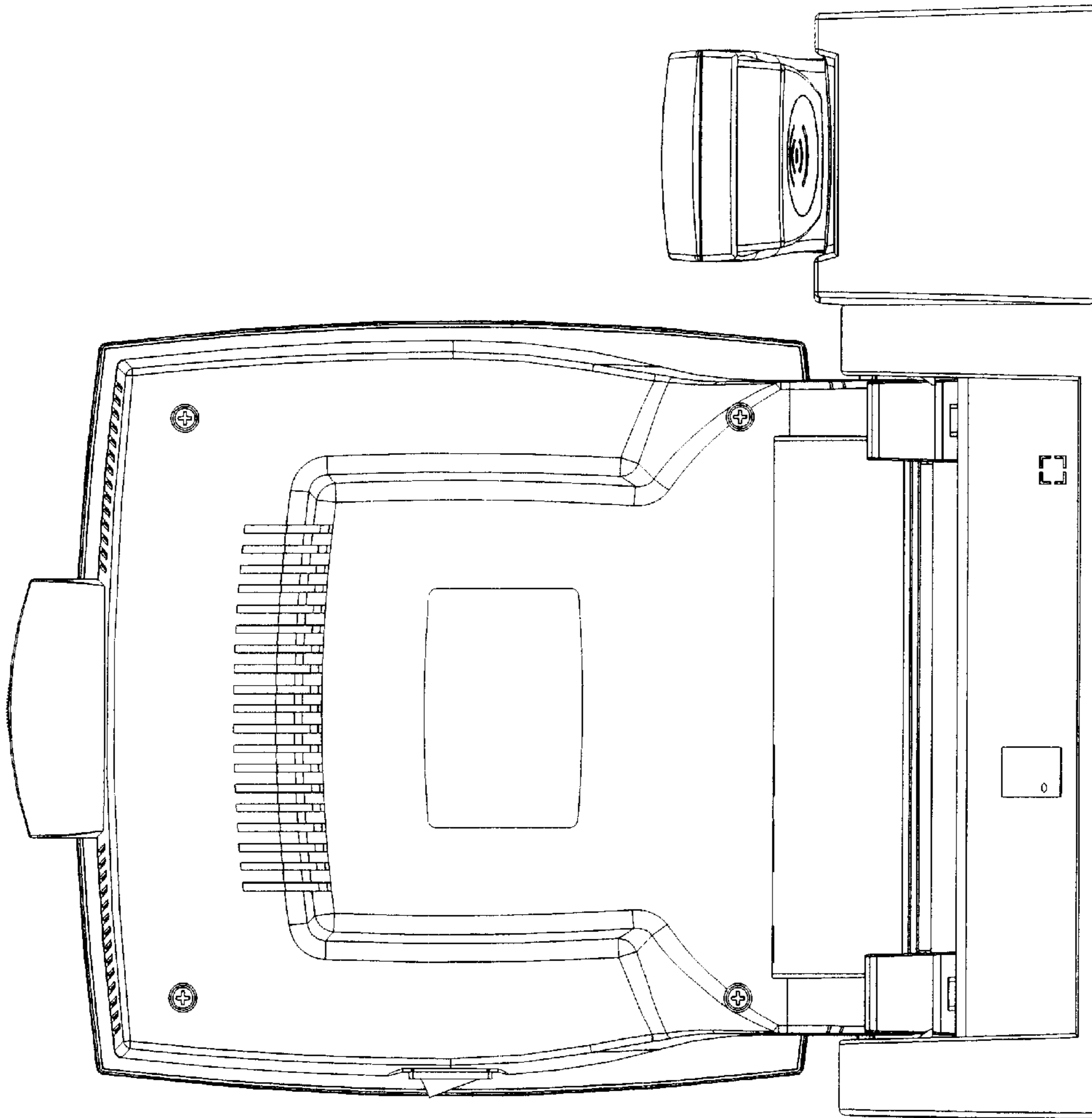


FIG. 3

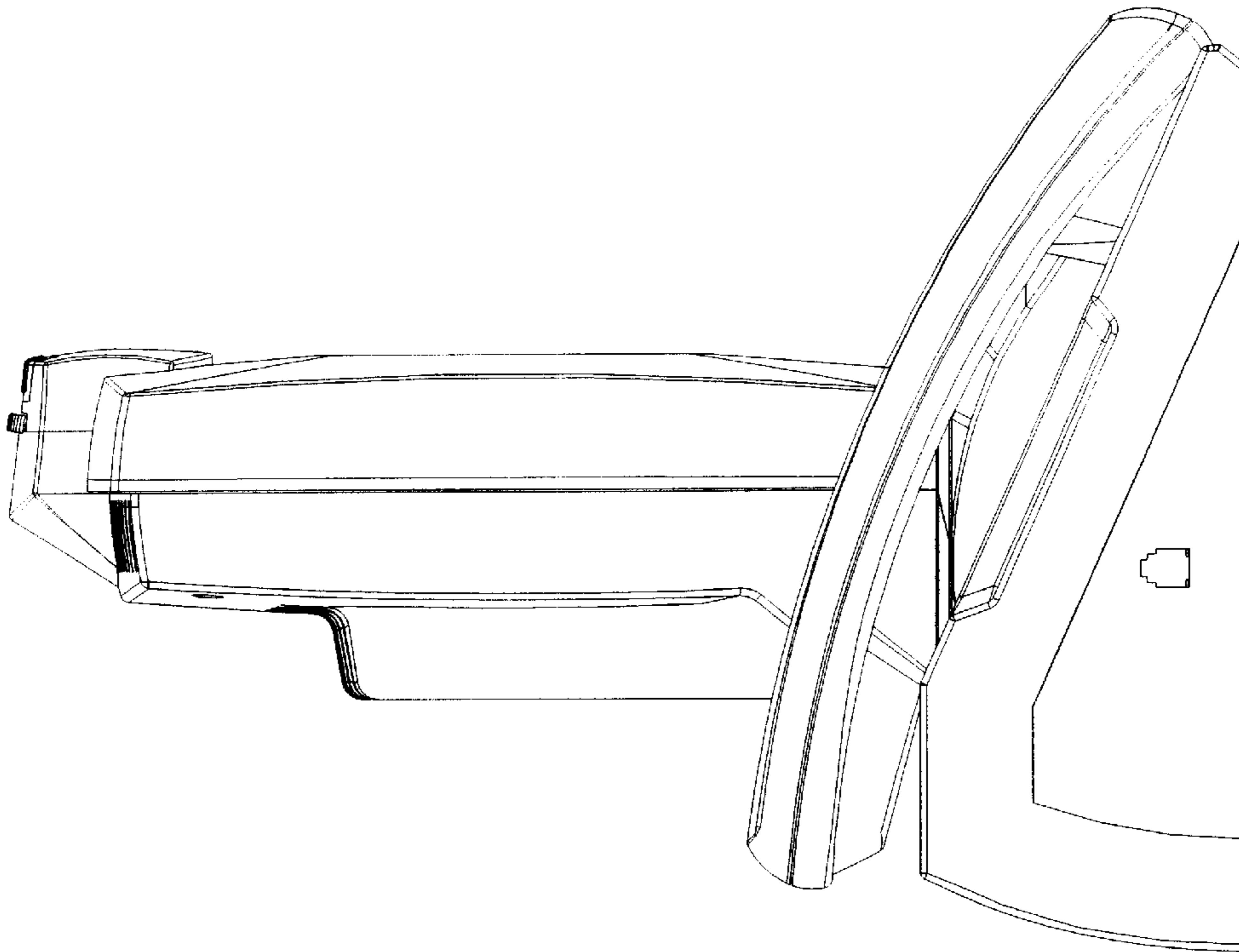


FIG. 4

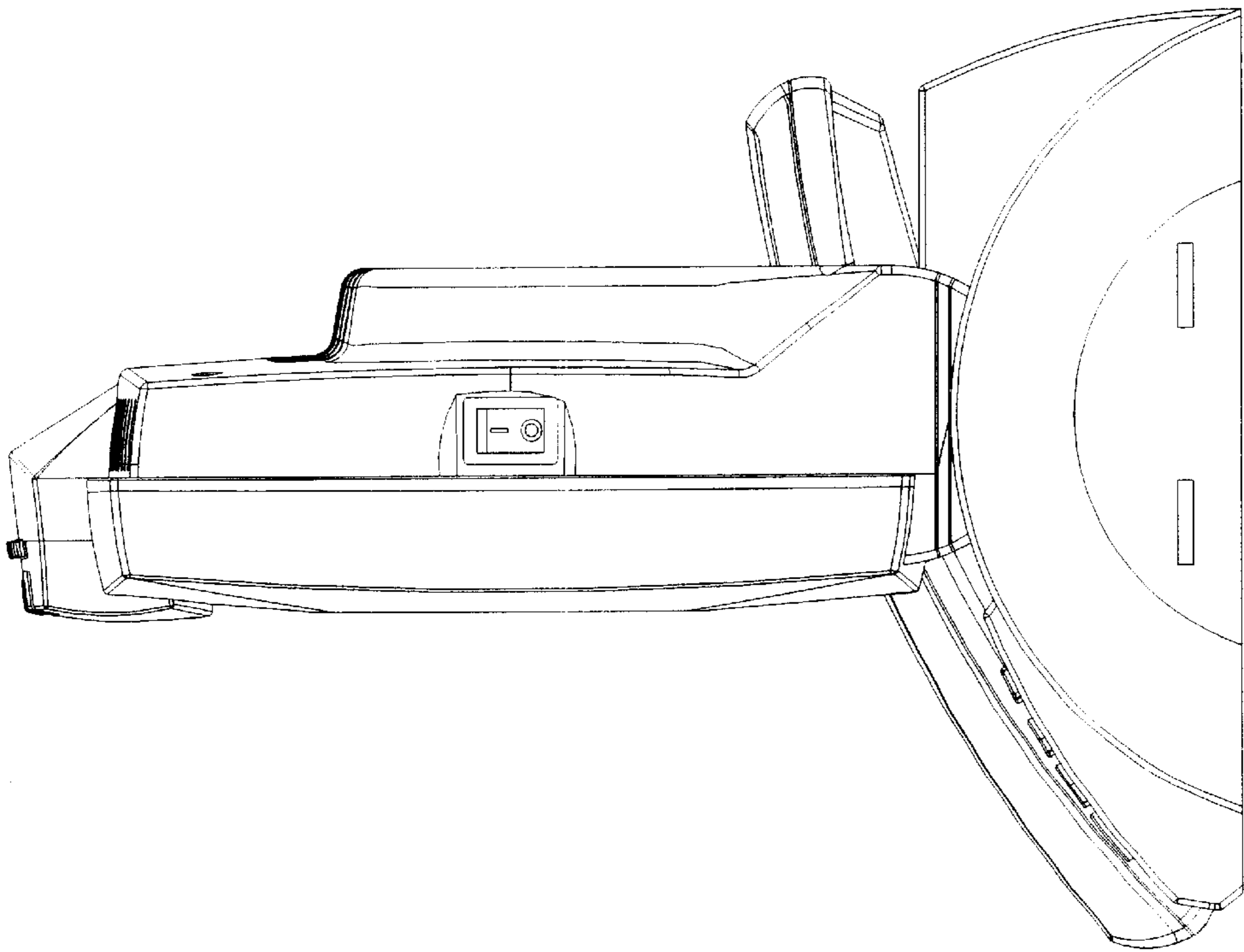


FIG. 5

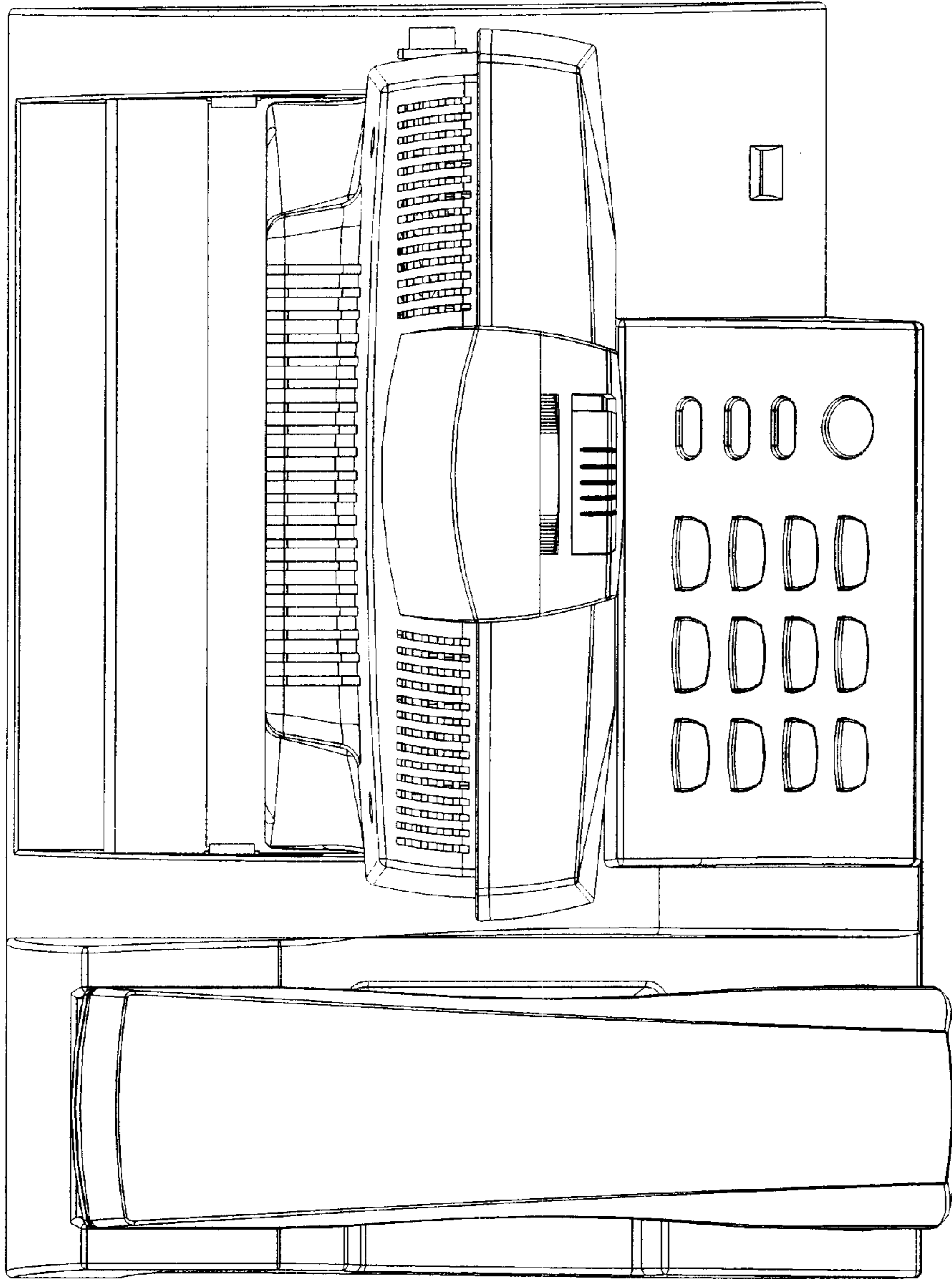


FIG. 6

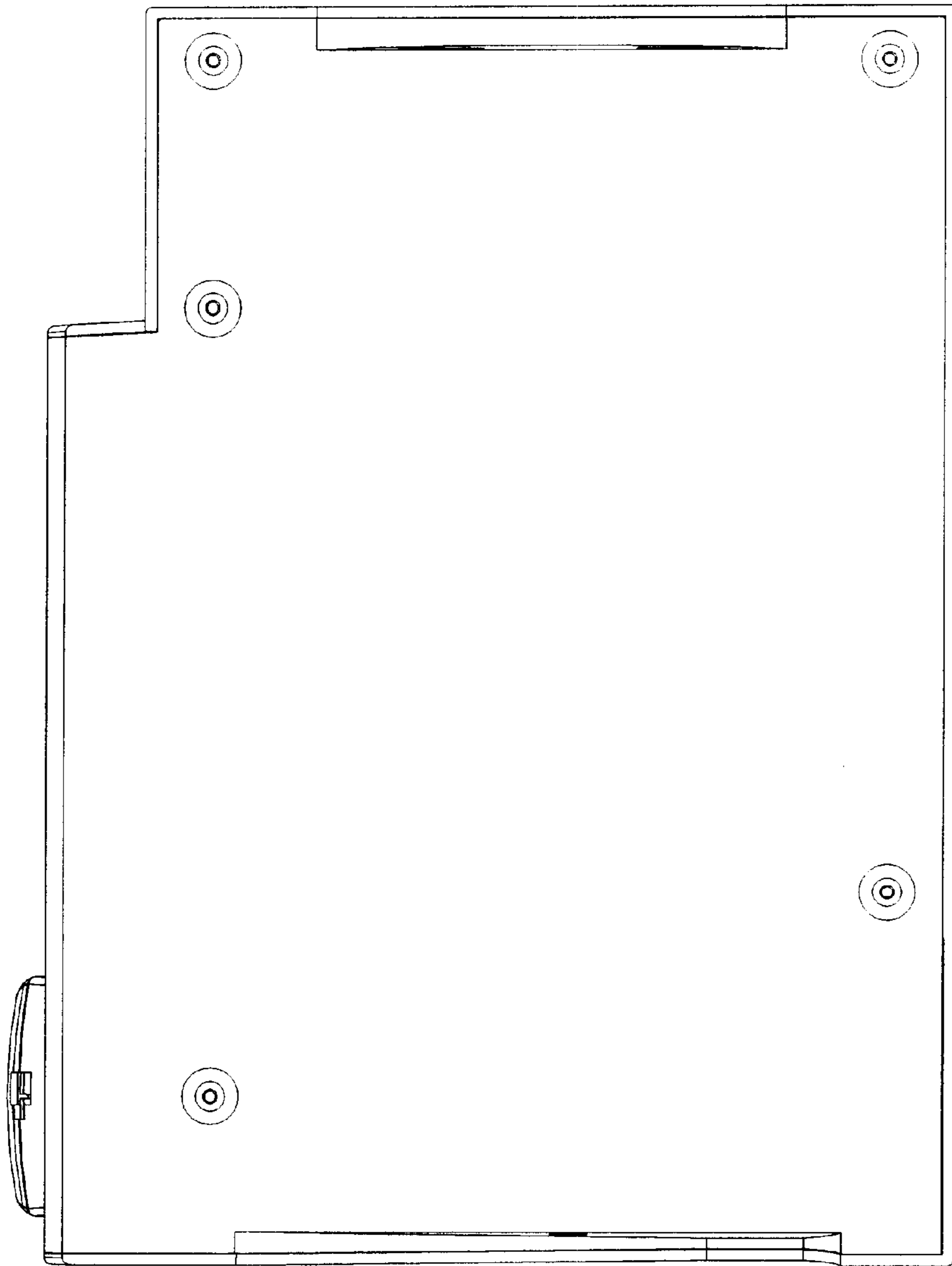


FIG. 7