



US00D463778S

(12) **United States Design Patent**
Hsu et al.

(10) **Patent No.:** **US D463,778 S**

(45) **Date of Patent:** **** Oct. 1, 2002**

(54) **EQUIPMENT RACK BRACKET FOR AN ELECTRONIC RACK SYSTEM OR OTHER SIMILAR SYSTEMS**

5,566,836 A	*	10/1996	Lerman	211/26
D399,863 S	*	10/1998	LaCicero	D16/242
6,006,925 A	*	12/1999	Sevier	211/26
D421,249 S	*	2/2000	Rooyakkers et al.	D13/184
D438,177 S	*	2/2001	Rogers	D13/199

(75) Inventors: **Ching-I Hsu**, Warren, NJ (US);
Richard Bopp, Belle Mead, NJ (US);
Alan Chen, Taipei (TW)

* cited by examiner

(73) Assignee: **Raritan Computer, Inc.**, Somerset, NJ (US)

Primary Examiner—Ted Shooman
Assistant Examiner—Selina Sikder
(74) *Attorney, Agent, or Firm*—Ward & Olivo

(**) Term: **14 Years**

(57) **CLAIM**

(21) Appl. No.: **29/133,623**

The ornamental design for an equipment rack bracket for an electronic rack system or other similar systems, as shown and described.

(22) Filed: **Dec. 4, 2000**

(51) **LOC (7) Cl.** **13-03**

DESCRIPTION

(52) **U.S. Cl.** **D13/184**

(58) **Field of Search** D8/349, 354, 380;
D13/155, 154, 184, 199; D14/256; 211/26,
189; 361/826

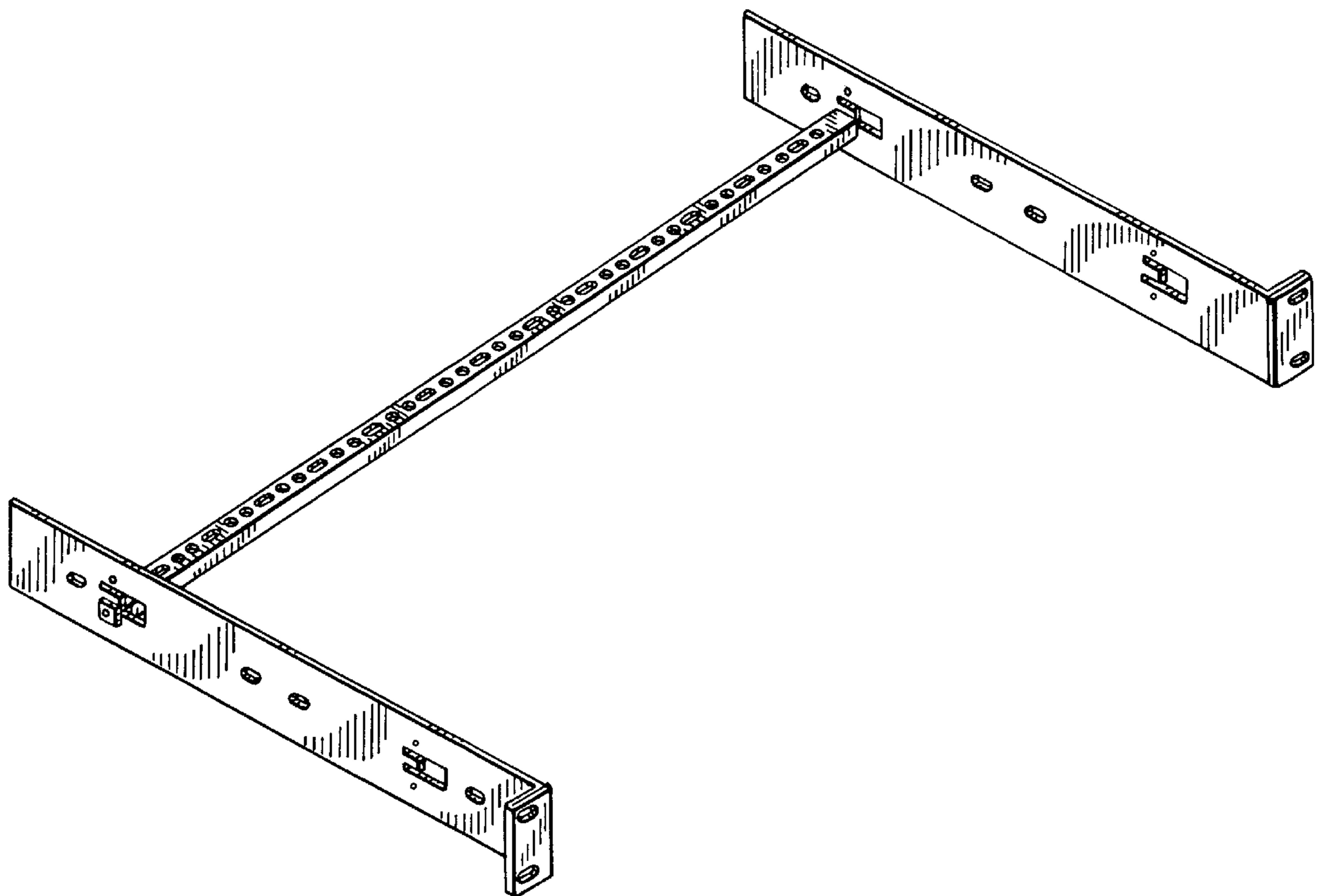
FIG. 1 is a perspective view of an equipment rack bracket for an electronic rack system, showing our new design;
FIG. 2 is a front view thereof;
FIG. 3 is a rear view thereof;
FIG. 4 is a top plan view thereof;
FIG. 5 is a bottom plan view thereof;
FIG. 6 is a left-side view thereof; and,
FIG. 7 is a right-side view thereof.

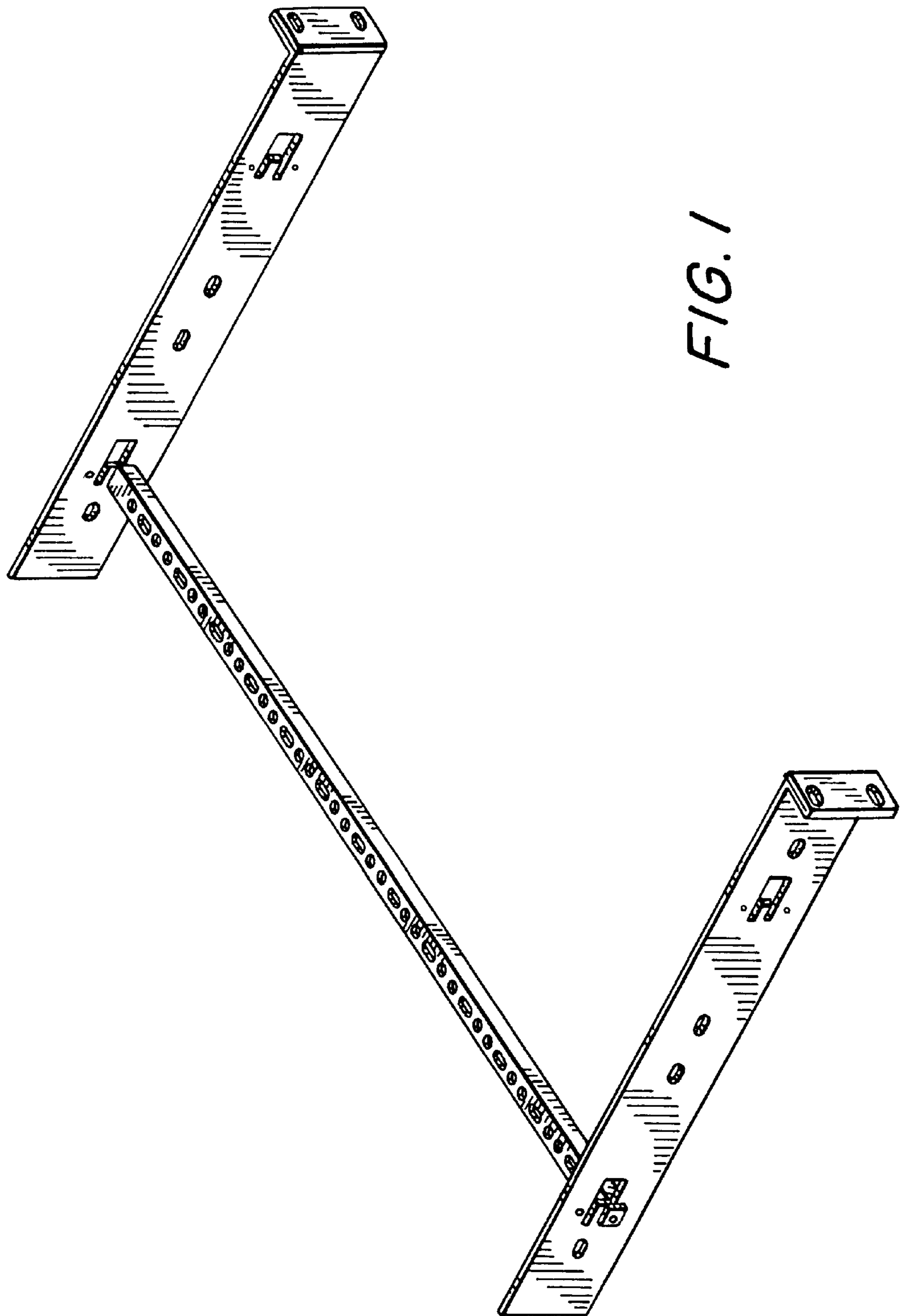
(56) **References Cited**

U.S. PATENT DOCUMENTS

3,518,618 A	*	6/1970	Swanson	439/571
D359,944 S	*	7/1995	Roberts et al.	D12/415
D360,189 S	*	7/1995	Orlando	D13/154

1 Claim, 4 Drawing Sheets





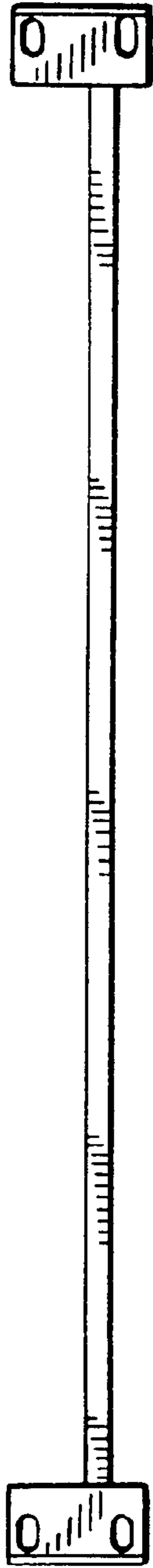


FIG. 2

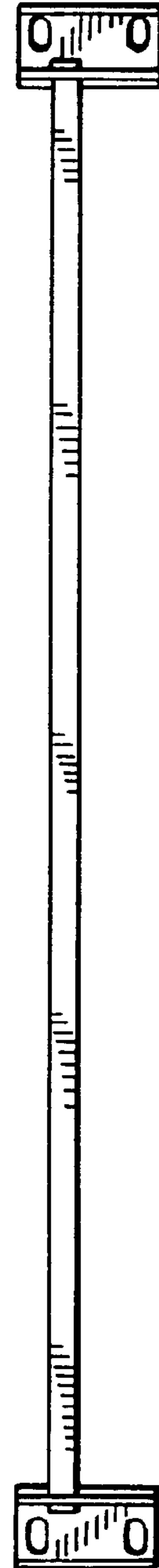


FIG. 3



FIG. 4



FIG. 5



FIG. 6



FIG. 7