

US00D463775S

(12) **United States Design Patent**
Byrne

(10) **Patent No.:** **US D463,775 S**

(45) **Date of Patent:** **** Oct. 1, 2002**

- (54) **POWER AND DATA CENTER**
- (76) Inventor: **Norman R. Byrne**, 2736 Honey Creek, NE., Ada, MI (US) 49301
- (**) Term: **14 Years**
- (21) Appl. No.: **29/143,694**
- (22) Filed: **Jun. 19, 2001**
- (51) **LOC (7) Cl.** **13-03**
- (52) **U.S. Cl.** **D13/139.4**
- (58) **Field of Search** D13/139.1-139.8, D13/154-155, 173, 184; 174/48, 49, 53, 66, 67; 361/42, 641, 658; 439/131, 135, 136, 137, 140, 141, 142, 521, 528, 535, 536; 638/650, 651, 652, 692-695, 736

- 5,230,552 A 7/1993 Schipper et al.
- 5,231,562 A 7/1993 Pierce et al.
- 5,351,173 A 9/1994 Byrne
- D353,363 S 12/1994 Toby
- D355,890 S 2/1995 Lentz
- D367,038 S * 2/1996 Fladung et al. D13/137.2
- D370,622 S 6/1996 Byrne
- D372,018 S 7/1996 Byrne
- 5,575,668 A 11/1996 Timmerman
- 5,705,772 A 1/1998 Brown
- 5,709,156 A 1/1998 Gevaert et al.
- D392,254 S 3/1998 Gevaert
- D405,763 S * 2/1999 Crane et al. D13/139.4
- D407,374 S * 3/1999 Byrne D13/139.4
- D408,011 S * 4/1999 Joss D13/137.2
- 6,017,228 A * 1/2000 Verbeek et al. 439/142
- D437,827 S * 2/2001 Gershfeld D13/139.4
- D449,819 S * 10/2001 Gershfeld D13/139.4

(56) **References Cited**
U.S. PATENT DOCUMENTS

- 676,622 A 6/1901 Gohnauer
- 2,811,574 A 10/1957 Guerrero
- 2,861,857 A 11/1958 Lee et al.
- 3,131,512 A 5/1964 MacLeod, Jr.
- 3,353,137 A 11/1967 Miller
- 3,433,886 A 3/1969 Myers
- 3,622,684 A 11/1971 Press
- 3,646,244 A 2/1972 Cole
- 3,794,956 A 2/1974 Dubreuil
- 3,892,095 A 7/1975 Vankuik et al.
- 3,972,579 A 8/1976 Kohaut
- 3,992,070 A 11/1976 Dunn et al.
- 4,059,321 A 11/1977 Rasmussen et al.
- 4,272,643 A 6/1981 Carroll et al.
- 4,372,629 A 2/1983 Propst et al.
- 4,511,198 A 4/1985 Mitchell et al.
- 4,551,577 A 11/1985 Byrne
- 4,747,788 A 5/1988 Byrne
- 4,792,881 A 12/1988 Wilson et al.
- 4,828,513 A 5/1989 Morrison et al.
- 4,984,982 A 1/1991 Brownlie et al.
- 5,023,396 A 6/1991 Bartee et al.
- 5,114,365 A 5/1992 Thompson et al.
- 5,122,069 A 6/1992 Brownlie et al.
- 5,197,941 A * 3/1993 Whitaker 600/27

* cited by examiner

Primary Examiner—Robert M. Spear
(74) *Attorney, Agent, or Firm*—Varnum, Riddering, Schmidt & Howlett LLP

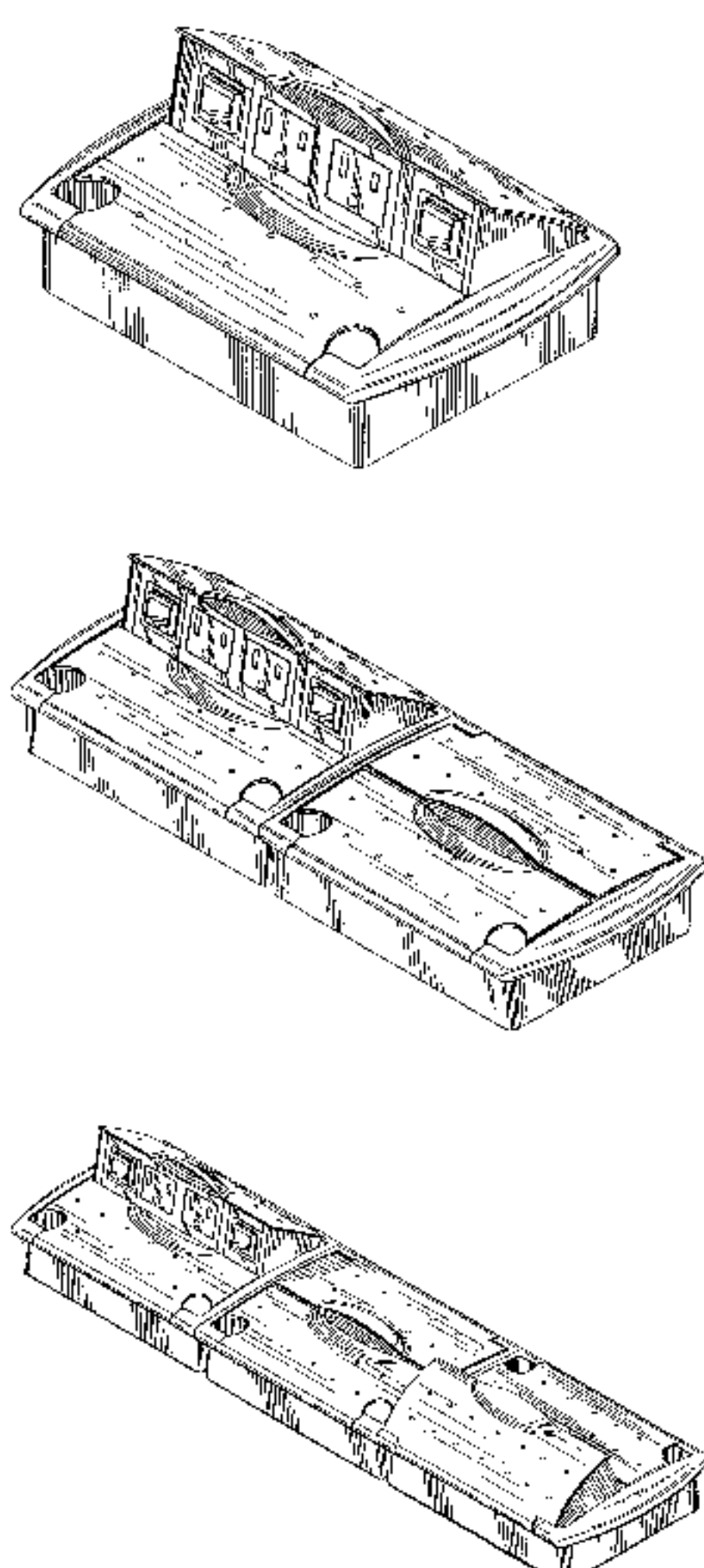
(57) **CLAIM**

The ornamental design for a power and data center, as shown and described.

DESCRIPTION

FIG. 1 is a perspective view of a power and data center according to a first embodiment of my design;
 FIG. 2 is a top plan view thereof;
 FIG. 3 is a front elevational view thereof;
 FIG. 4 is a rear elevational view thereof;
 FIG. 5 is a right side elevational view thereof;
 FIG. 6 is a left side elevational view thereof;
 FIG. 7 is a perspective view of the power and data center illustrated in FIG. 1, with power and data center elements in an accessible configuration;
 FIG. 8 is a perspective view of a power and data center according to a second embodiment of my design; and,
 FIG. 9 is a perspective view of a power and data center according to a third embodiment of my design.

1 Claim, 7 Drawing Sheets



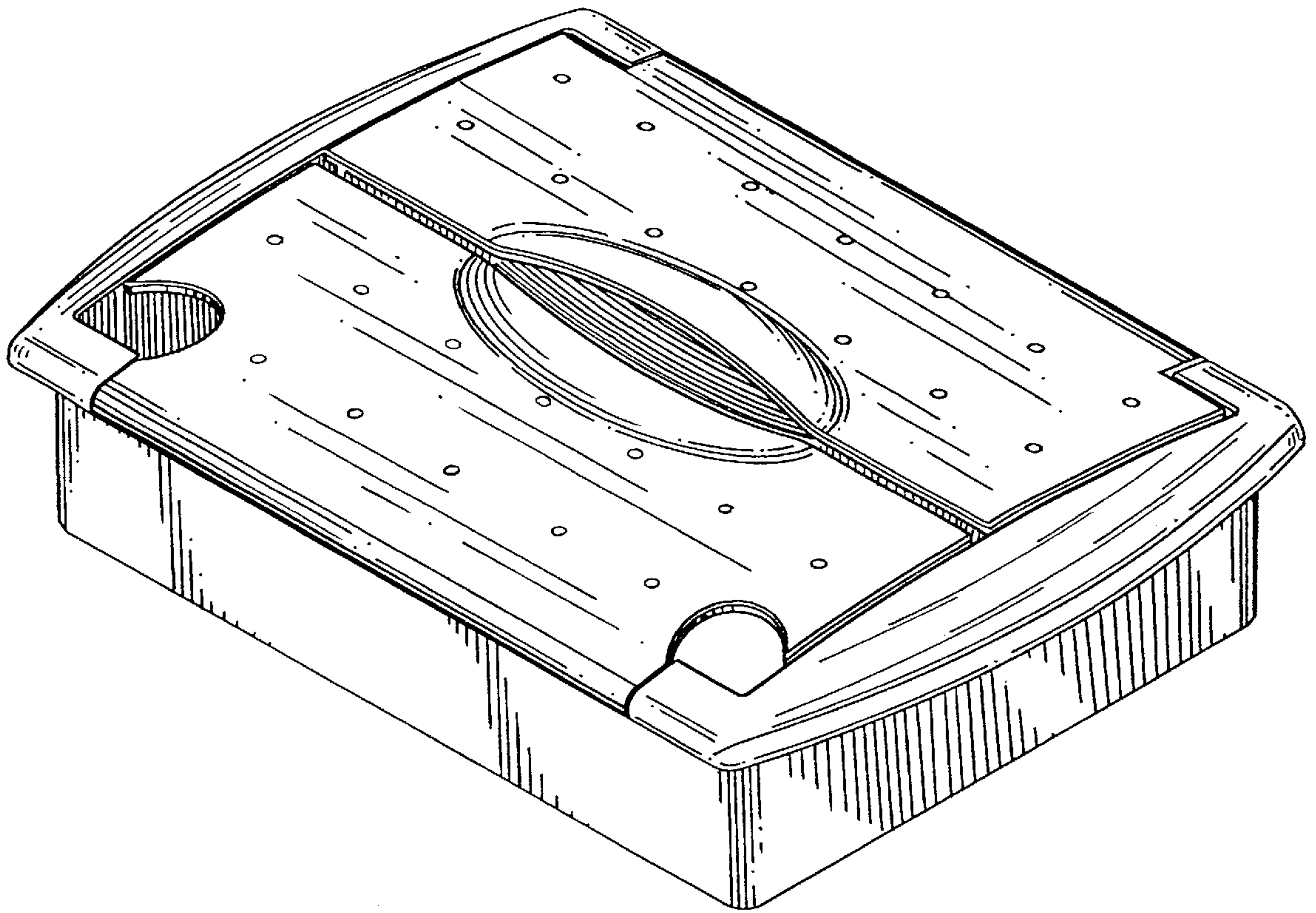


Fig. 1

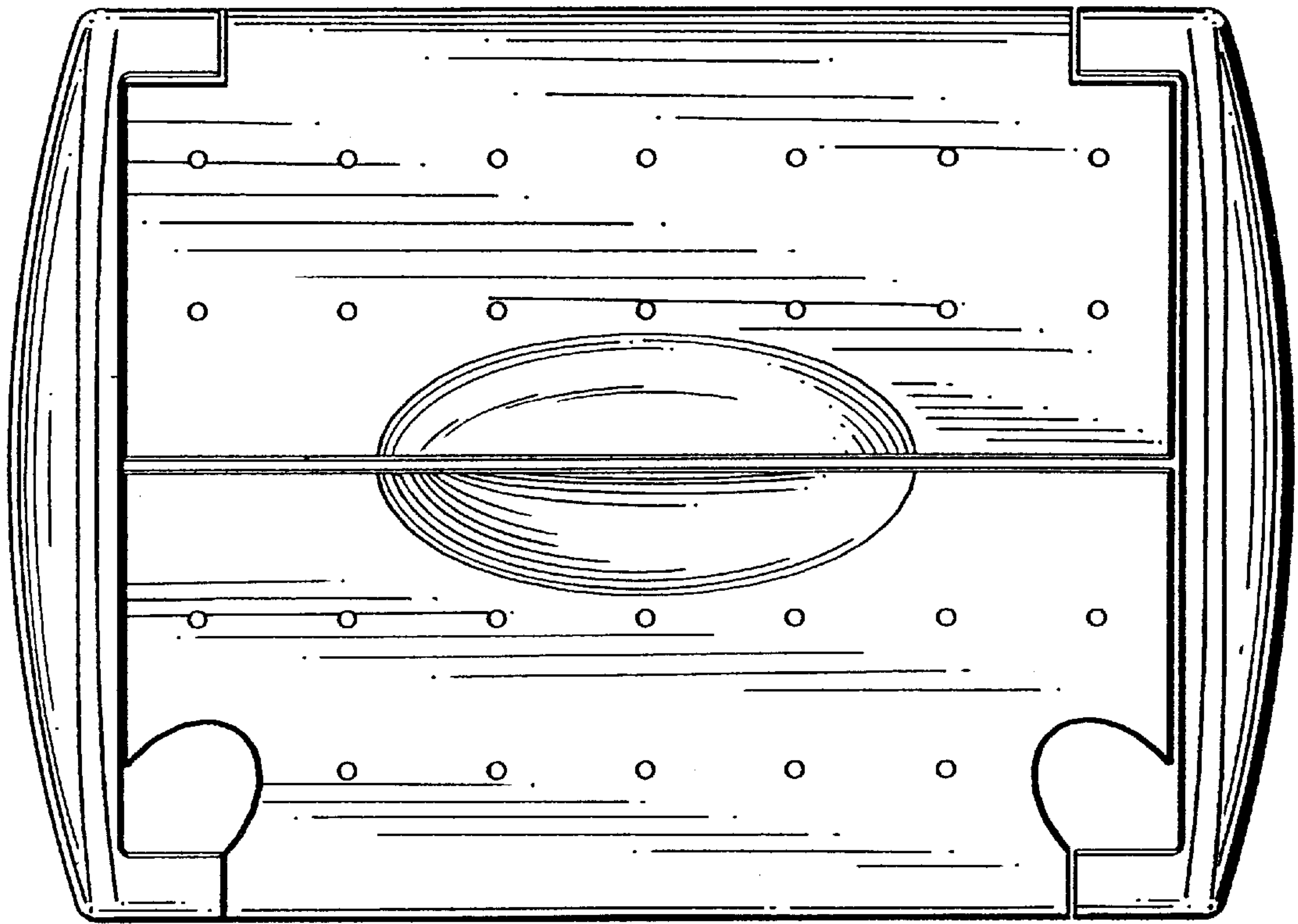


Fig. 2

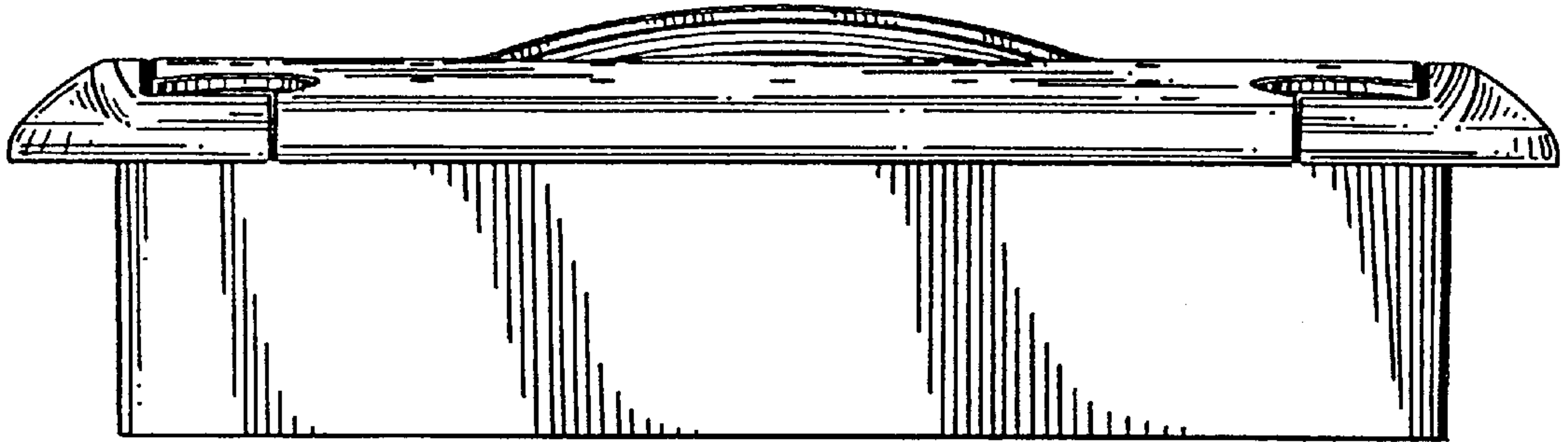


Fig. 3

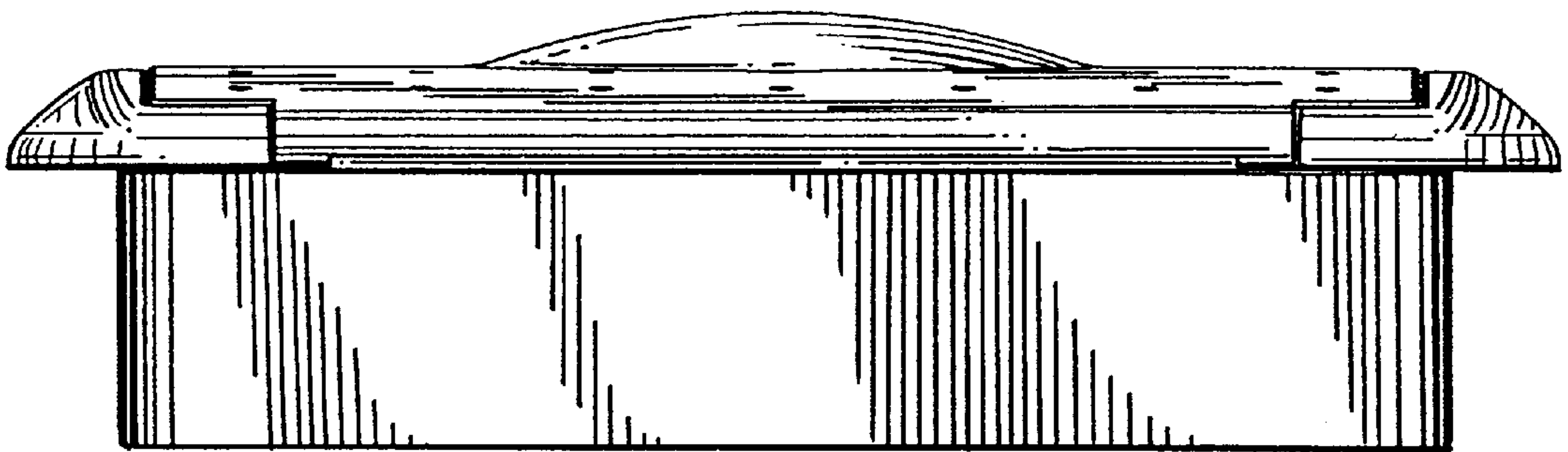


Fig. 4

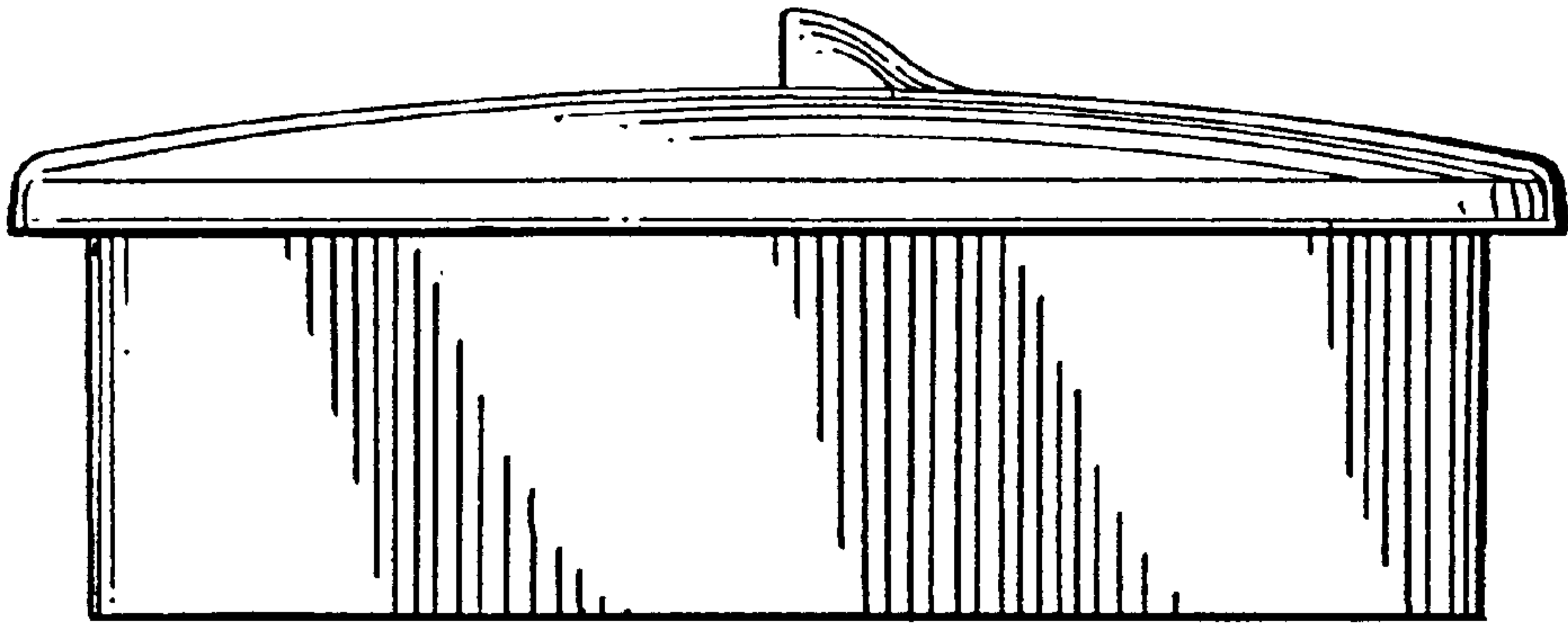


Fig. 5

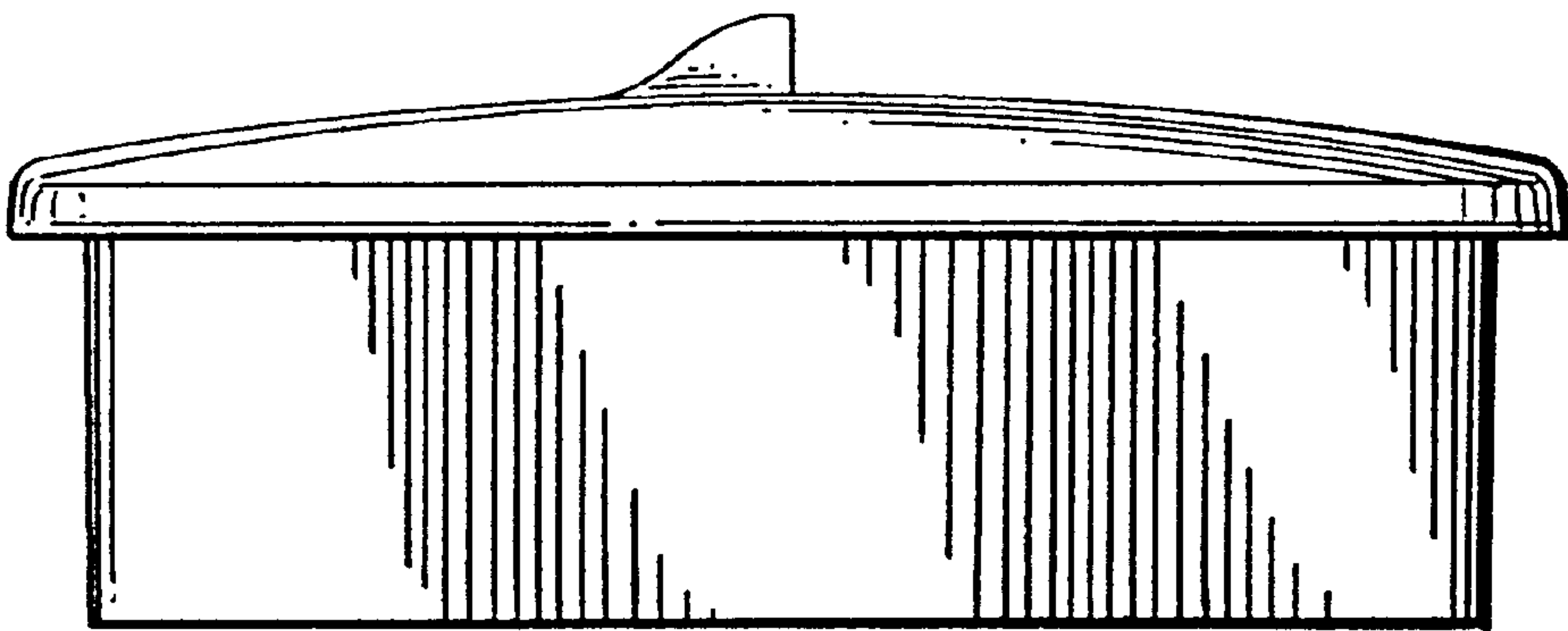


Fig. 6

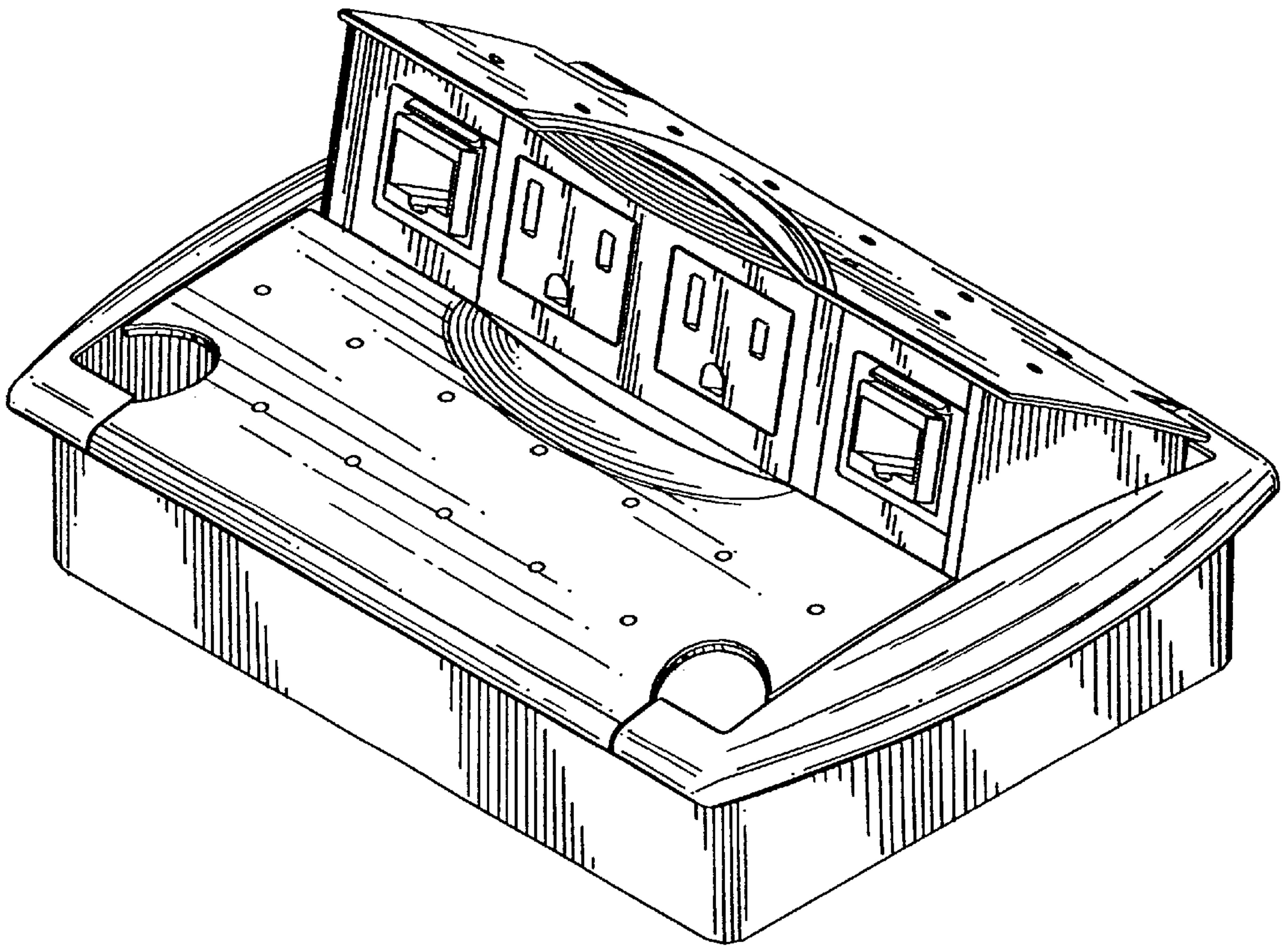


Fig. 7

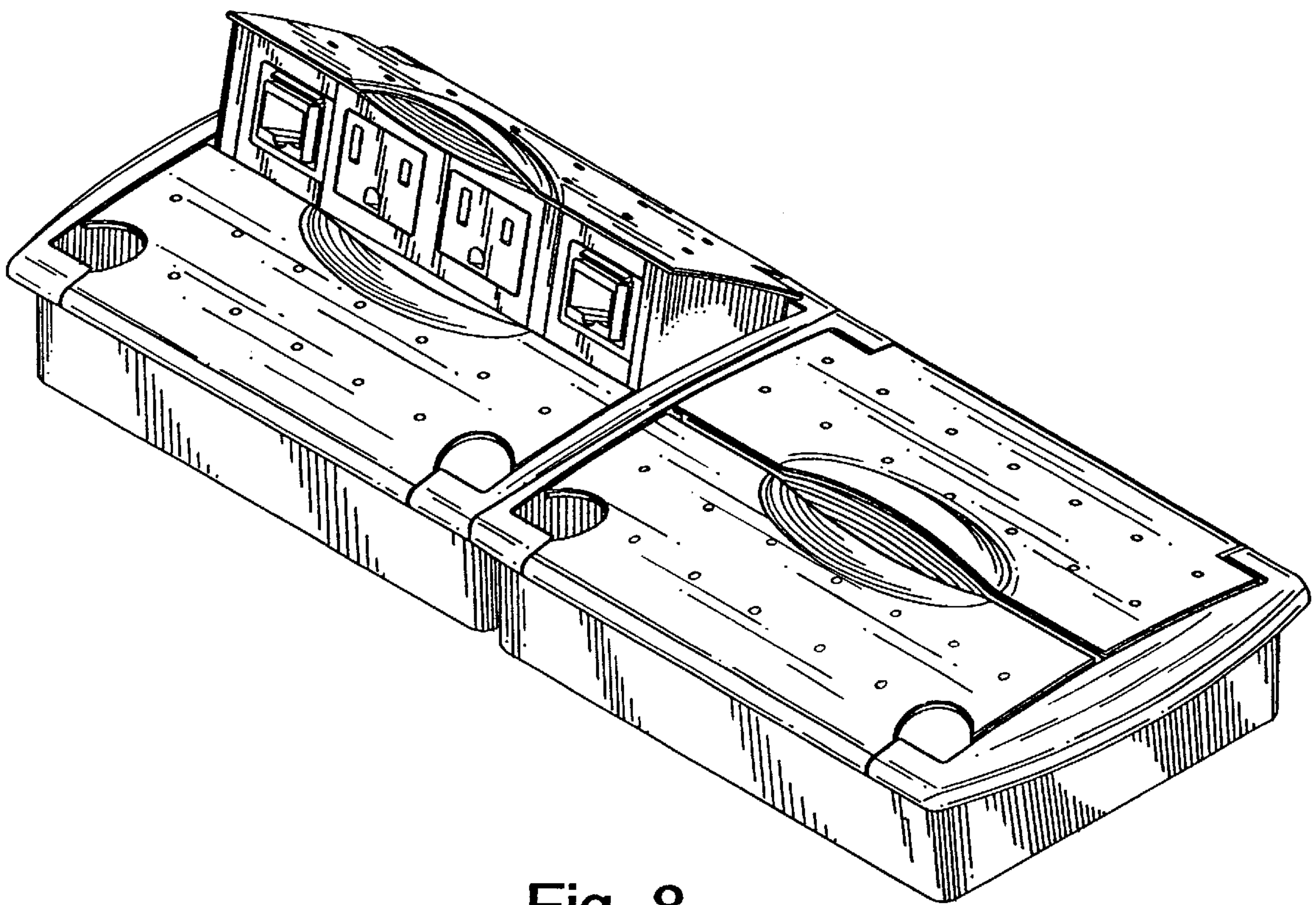


Fig. 8

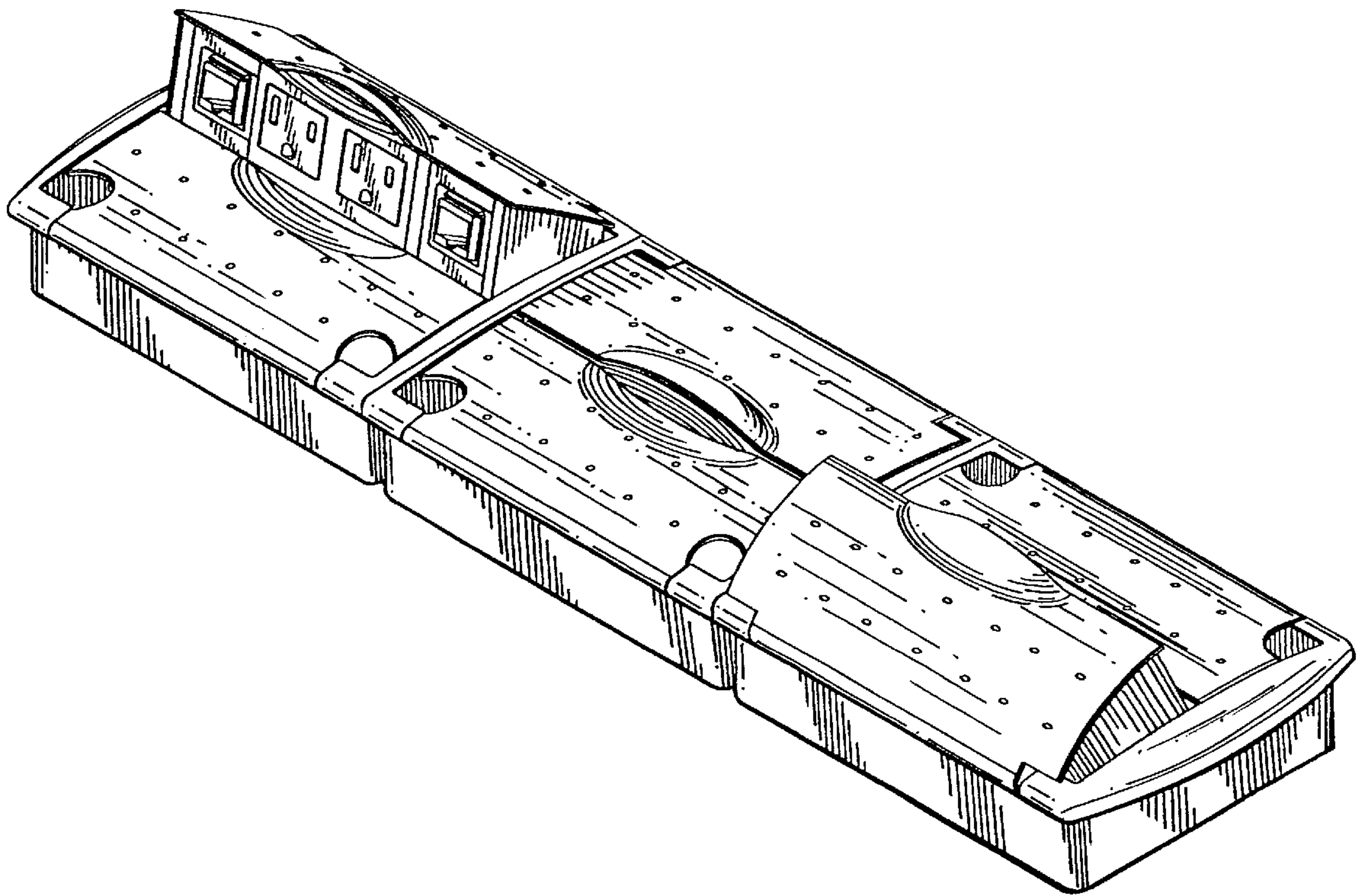


Fig. 9