



US00D463774S

(12) **United States Design Patent** (10) **Patent No.:** **US D463,774 S**
Buck (45) **Date of Patent:** **** Oct. 1, 2002**

(54) **BATTERY PACK TERMINAL AND HOUSING**

FOREIGN PATENT DOCUMENTS

(75) Inventor: **John E. Buck**, Cockeysville, MD (US)

DE 8908254 2/1990

DE 8906631 3/1990

(73) Assignee: **Black & Decker Inc.**, Newark, DE (US)

DE 8906632 4/1990

DE 9000829 1/1991

(**) Term: **14 Years**

OTHER PUBLICATIONS

(21) Appl. No.: **29/089,518**

Milwaukee Electric Tools for Contractors and Industry Catalog, 1997 (published as least as early as Aug., 1997) pp. 19-24 showing battery packs 48-11-1950, 48-11-1000 and 48-11-2100.

(22) Filed: **Jun. 17, 1998**

* cited by examiner

(51) **LOC (7) Cl.** **13-02**

(52) **U.S. Cl.** **D13/120**

(58) **Field of Search** D13/103, 120; 429/121; 439/660

Primary Examiner—Joel Sincavage

(74) *Attorney, Agent, or Firm*—Adan Ayala

(56) **References Cited**

(57) **CLAIM**

U.S. PATENT DOCUMENTS

The ornamental design for a battery pack terminal and housing, as shown and described.

D300,132 S	3/1989	Culbertson et al.	
D304,026 S	10/1989	Goodner et al.	
D310,813 S	9/1990	Culbertson et al.	
D320,917 S	10/1991	Fushiya et al.	
D320,974 S	10/1991	Culbertson	
D323,276 S	1/1992	Fushiya et al.	
5,221,210 A *	6/1993	Bormuth et al.	439/79
D345,090 S	3/1994	Okumura	
5,551,883 A *	9/1996	Davis	439/65
D379,795 S	6/1997	Pitzen et al.	
D380,952 S	7/1997	Kim	
5,671,815 A	9/1997	Kabatnik et al.	
D419,522 S *	1/2000	Kamagai	D13/120
D447,122 S *	8/2001	Harasawa et al.	D13/147
6,280,255 B1 *	8/2001	Wu et al.	439/660
D450,301 S *	11/2001	Shimizu et al.	D13/147

DESCRIPTION

FIG. 1 is a front perspective view of a battery pack terminal and housing showing my new design.

FIG. 2 is a rear elevational view thereof.

FIG. 3 is a front elevational view thereof.

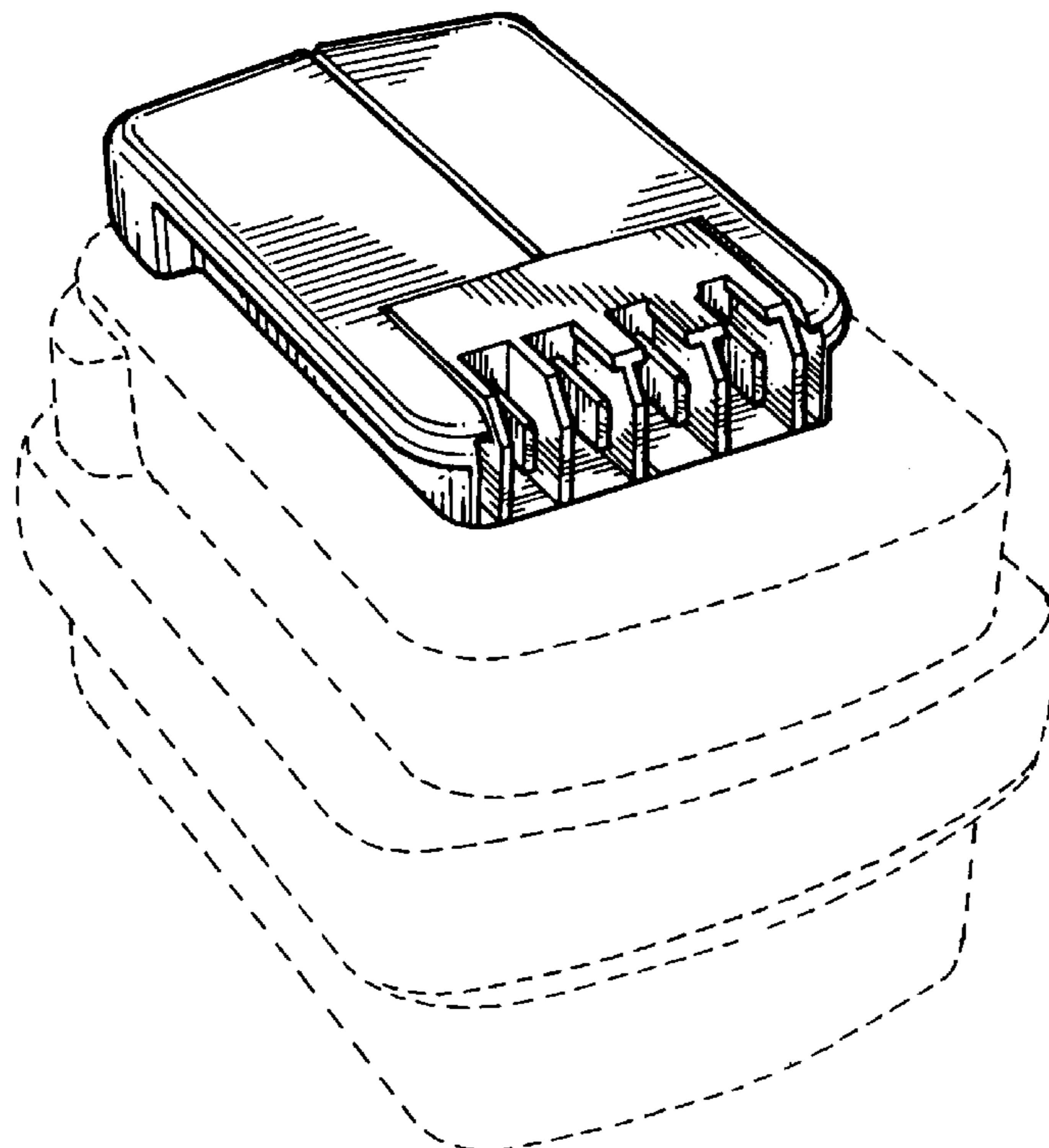
FIG. 4 is a top plan view thereof.

FIG. 5 is a right side elevational view thereof; and,

FIG. 6 is a left side elevational view thereof.

The broken line showing is for illustrative purposes only and forms no part of the claimed design.

1 Claim, 4 Drawing Sheets



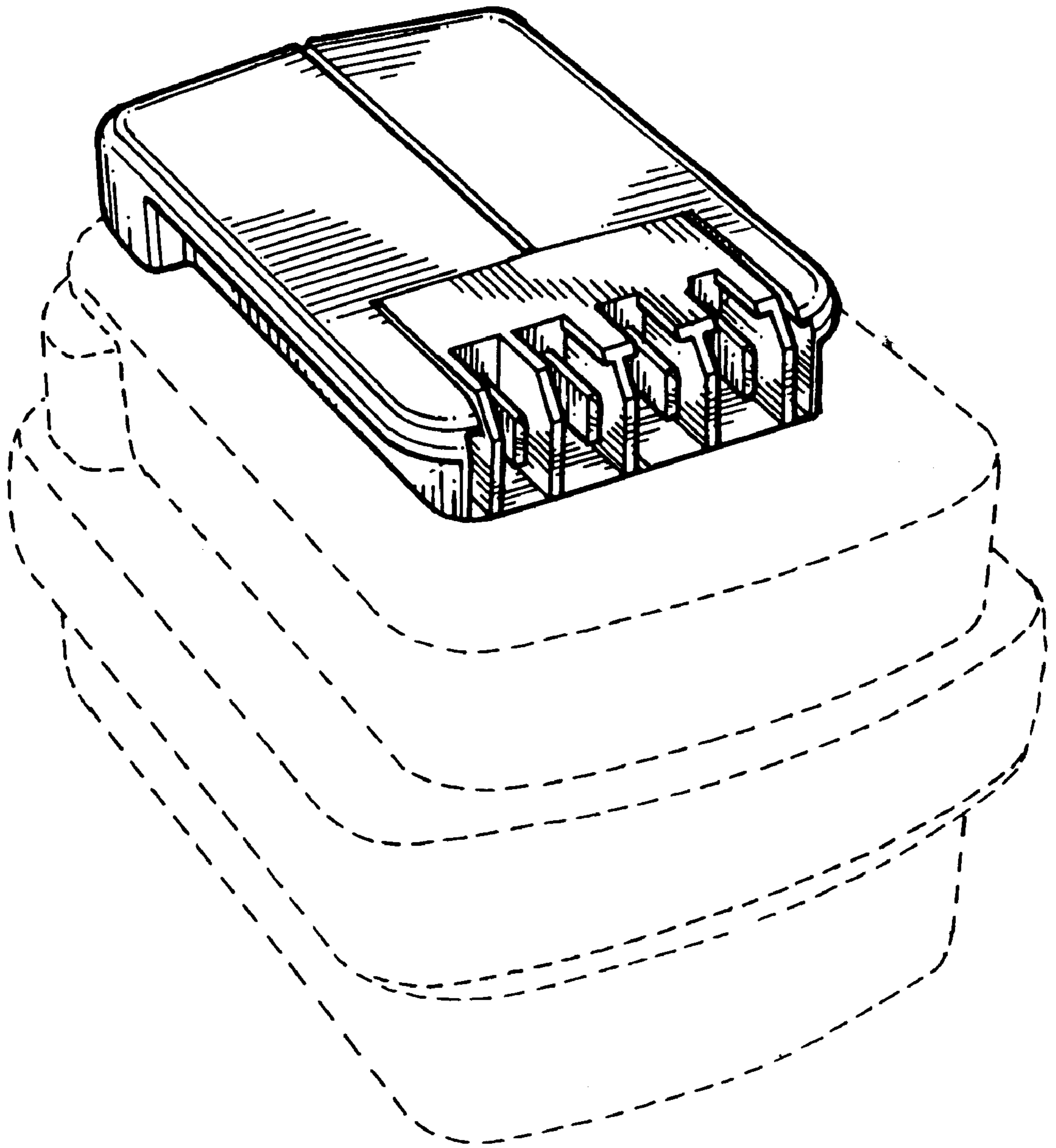


FIG. 1

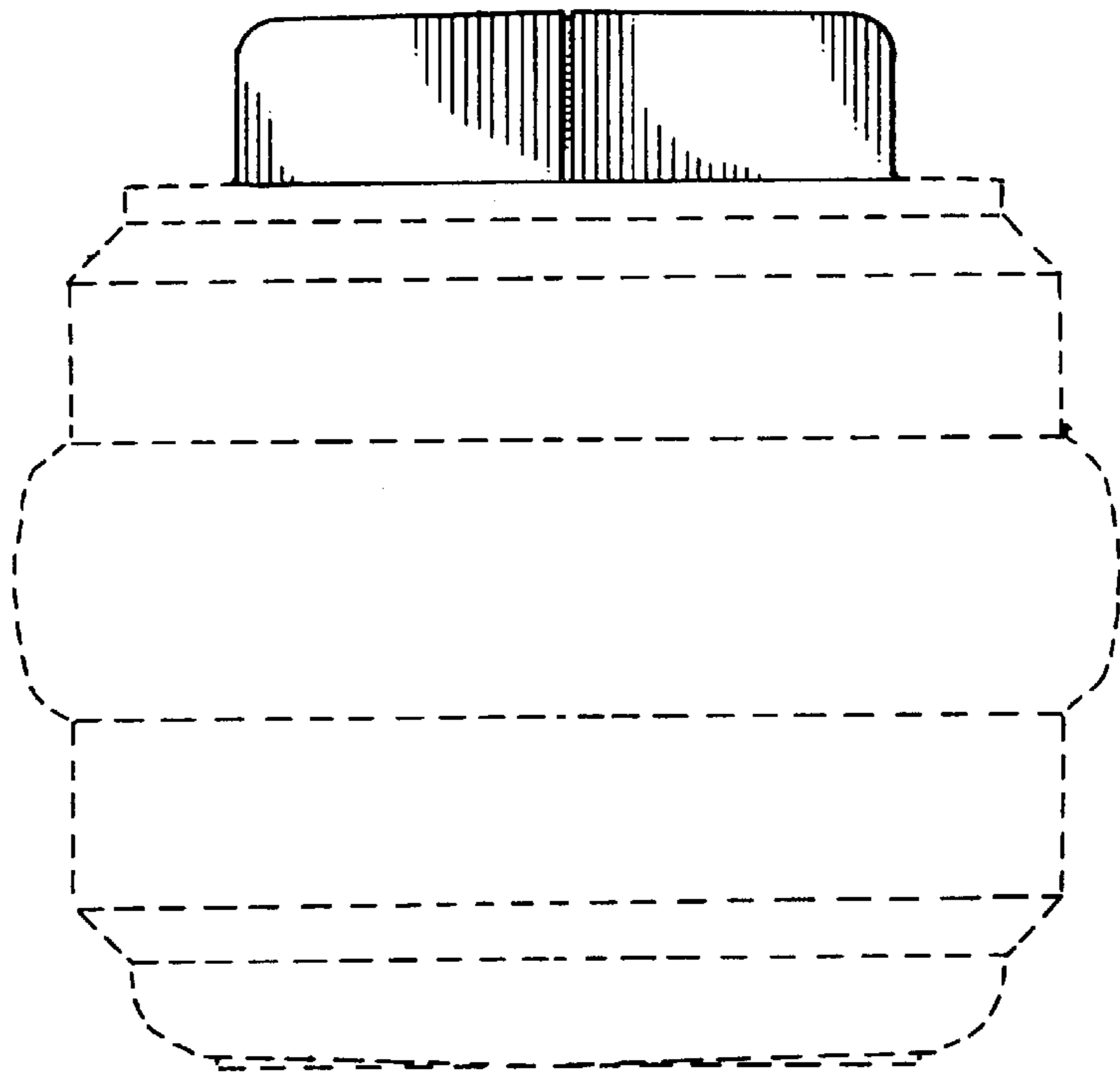


FIG. 2

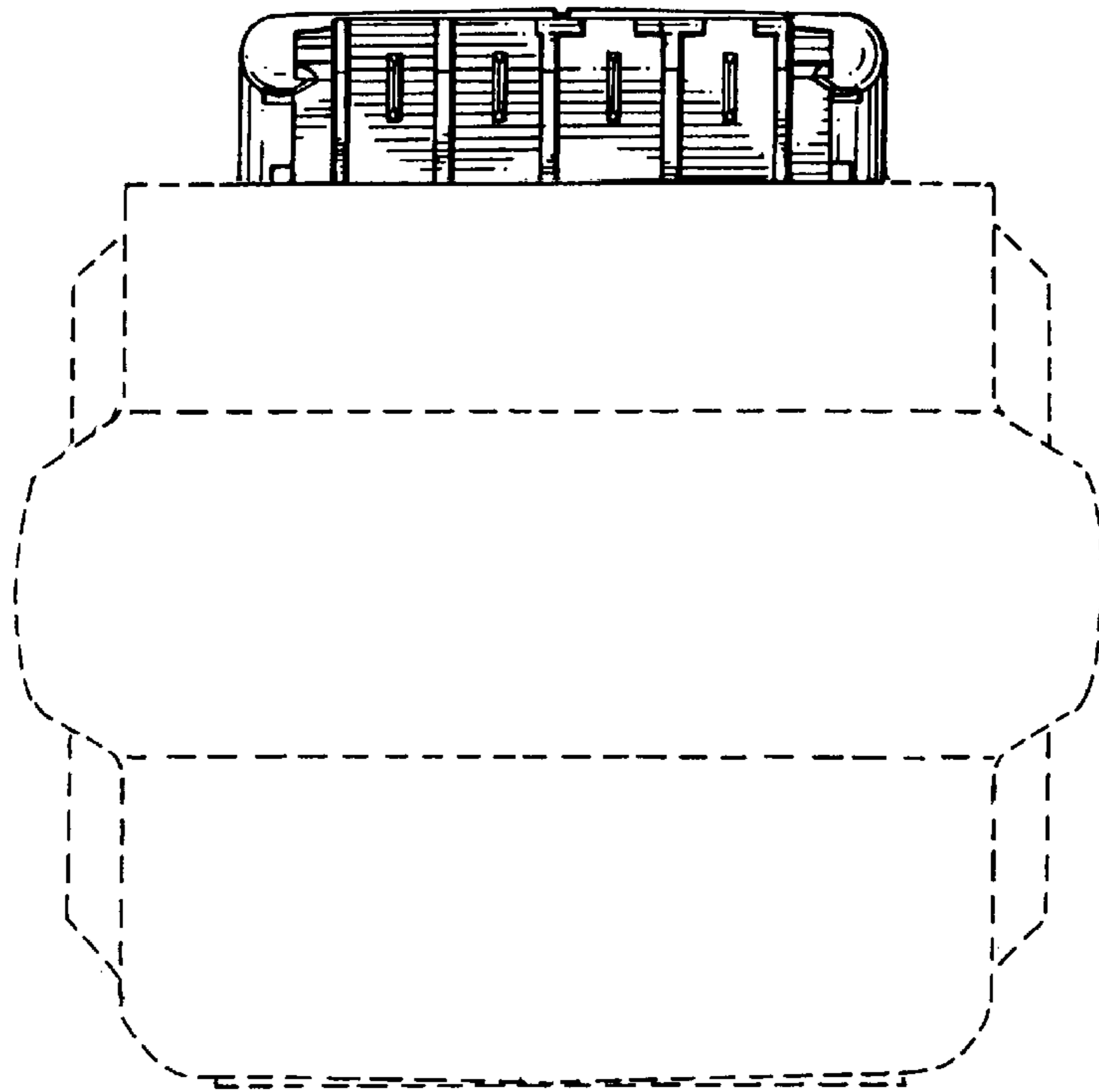


FIG. 3

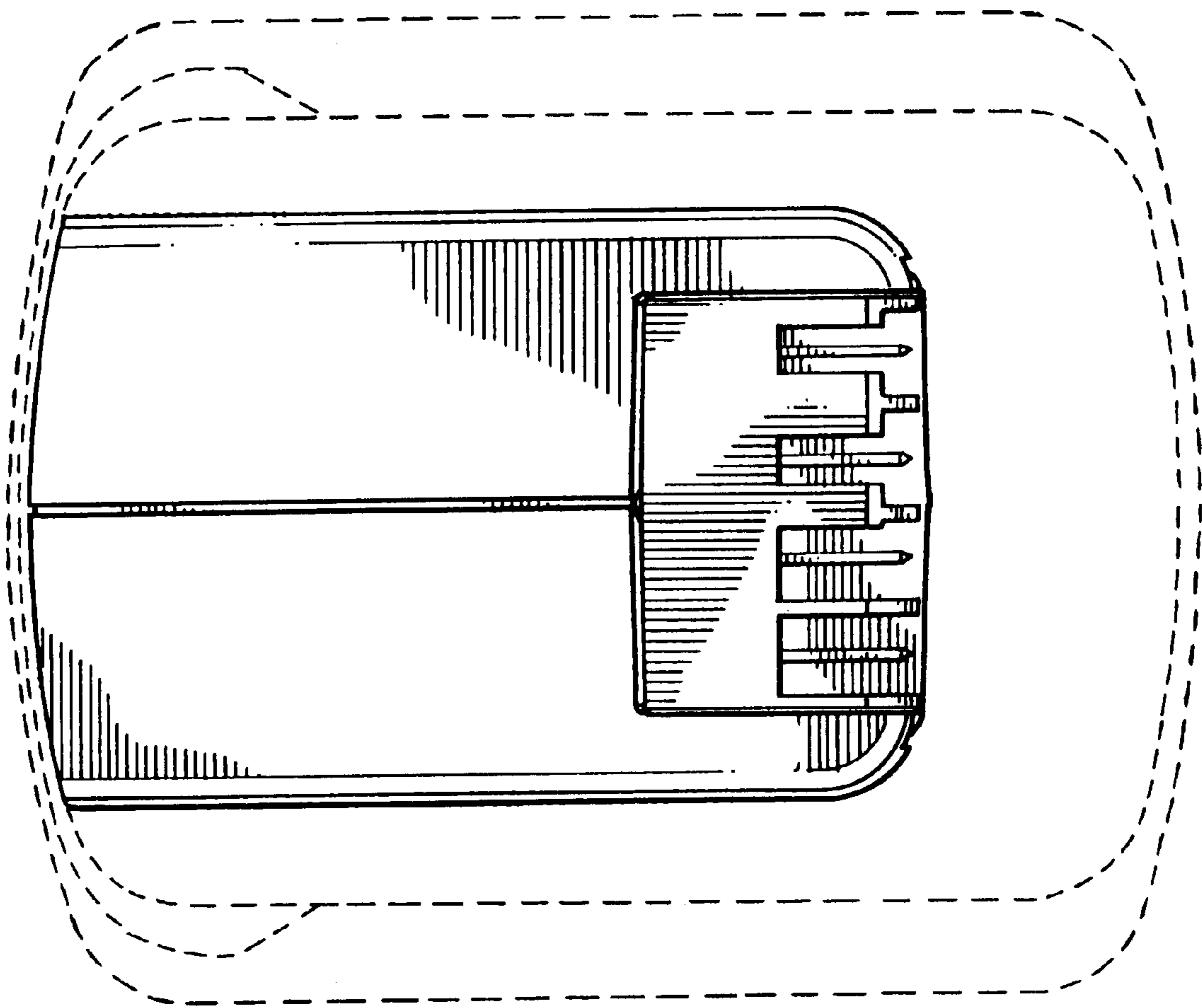


FIG. 4

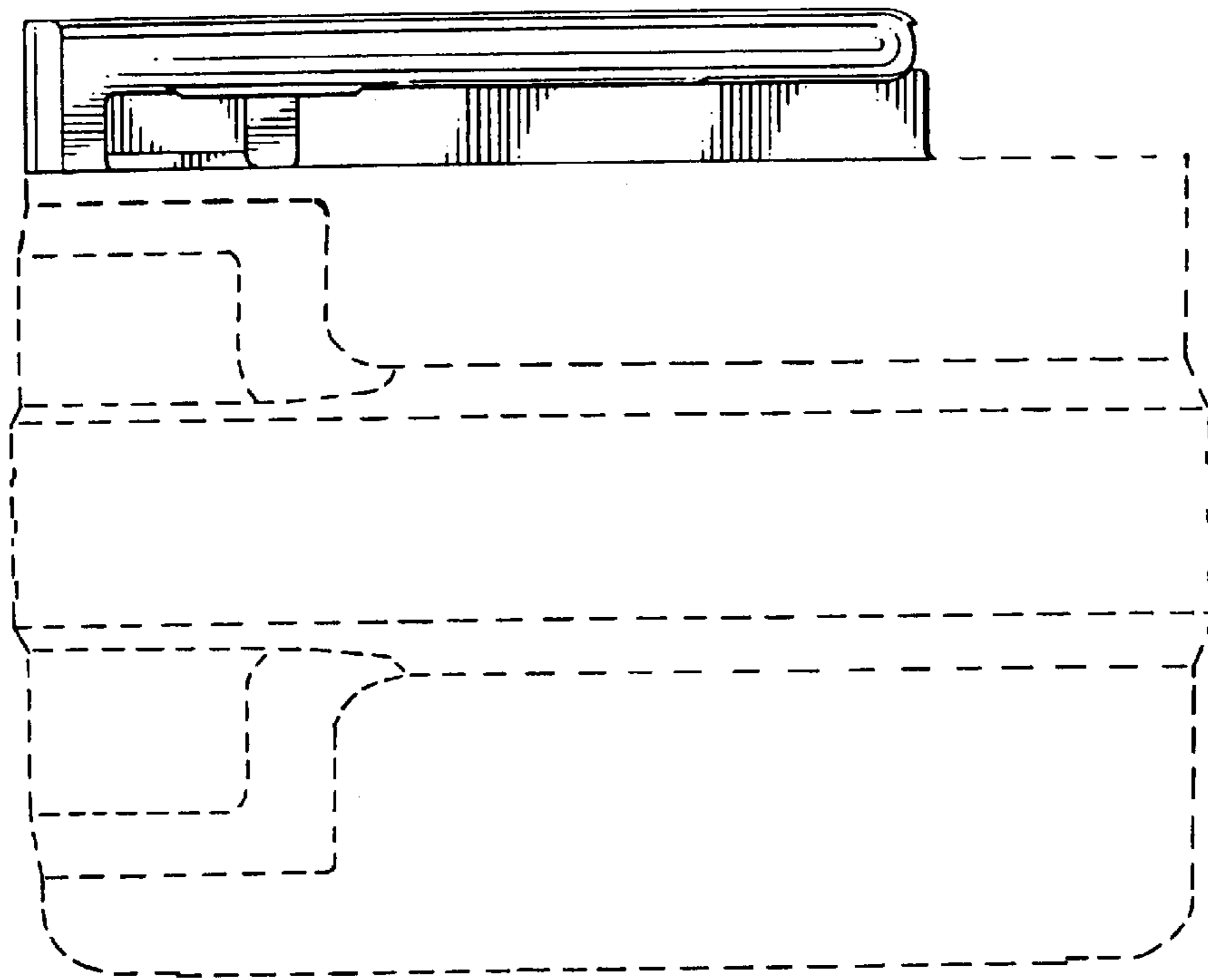


FIG. 5

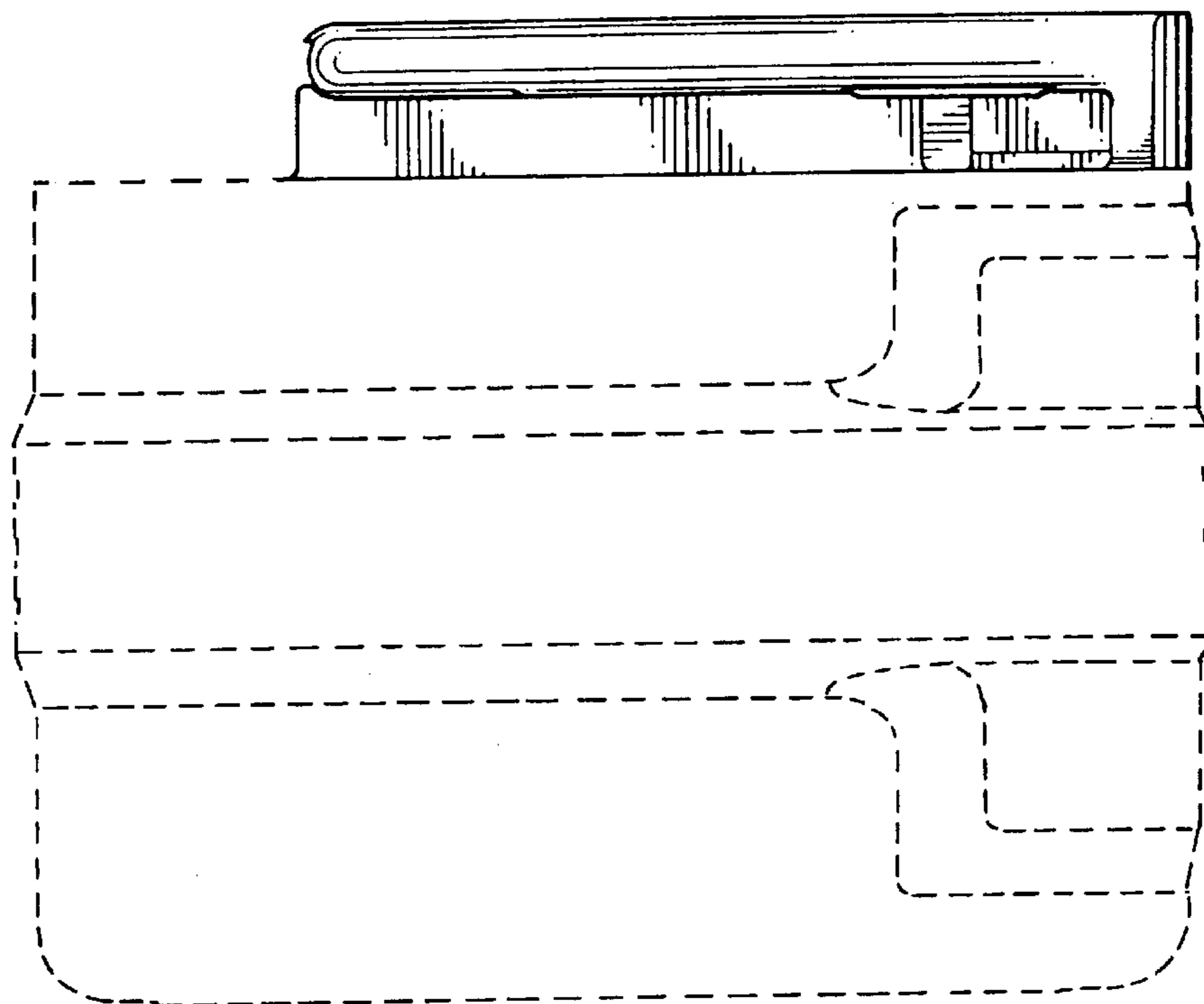


FIG. 6