



US00D463773S

(12) **United States Design Patent**
Manganese et al.

(10) **Patent No.:** **US D463,773 S**

(45) **Date of Patent:** **** Oct. 1, 2002**

(54) **DISPLAY PANEL**

(75) Inventors: **Michael Manganese**, Peabody, MA (US); **Colin Campbell**, Groton, MA (US); **William Ziegler**, Reading, MA (US); **Joseph Dechene**, Nashua, NH (US); **Youngmihn Kim**, Seoul (KR); **James Wilson**, Brighton, MA (US); **John Costello**, Wellesley, MA (US)

(73) Assignee: **American Power Conversion**, West Kingston, RI (US)

(**) Term: **14 Years**

(21) Appl. No.: **29/134,344**

(22) Filed: **Dec. 19, 2000**

(51) **LOC (7) Cl.** **13-02**

(52) **U.S. Cl.** **D13/118**

(58) **Field of Search** D13/110, 123, D13/162, 164, 177; 340/636; 307/66

(56) **References Cited**

U.S. PATENT DOCUMENTS

D297,404 S * 8/1988 Yandek et al. D13/164 X

D314,174 S * 1/1991 Wong D13/123
D339,102 S * 9/1993 Boyd D13/110
D376,347 S * 12/1996 Mousa D13/110
D390,532 S * 2/1998 Su D13/110
D406,100 S * 2/1999 Murphy D13/110

* cited by examiner

Primary Examiner—Joel Sincavage

(74) *Attorney, Agent, or Firm*—Mintz, Levin, Cohn, Ferris, Glovsky and Popeo, P.C.

(57) **CLAIM**

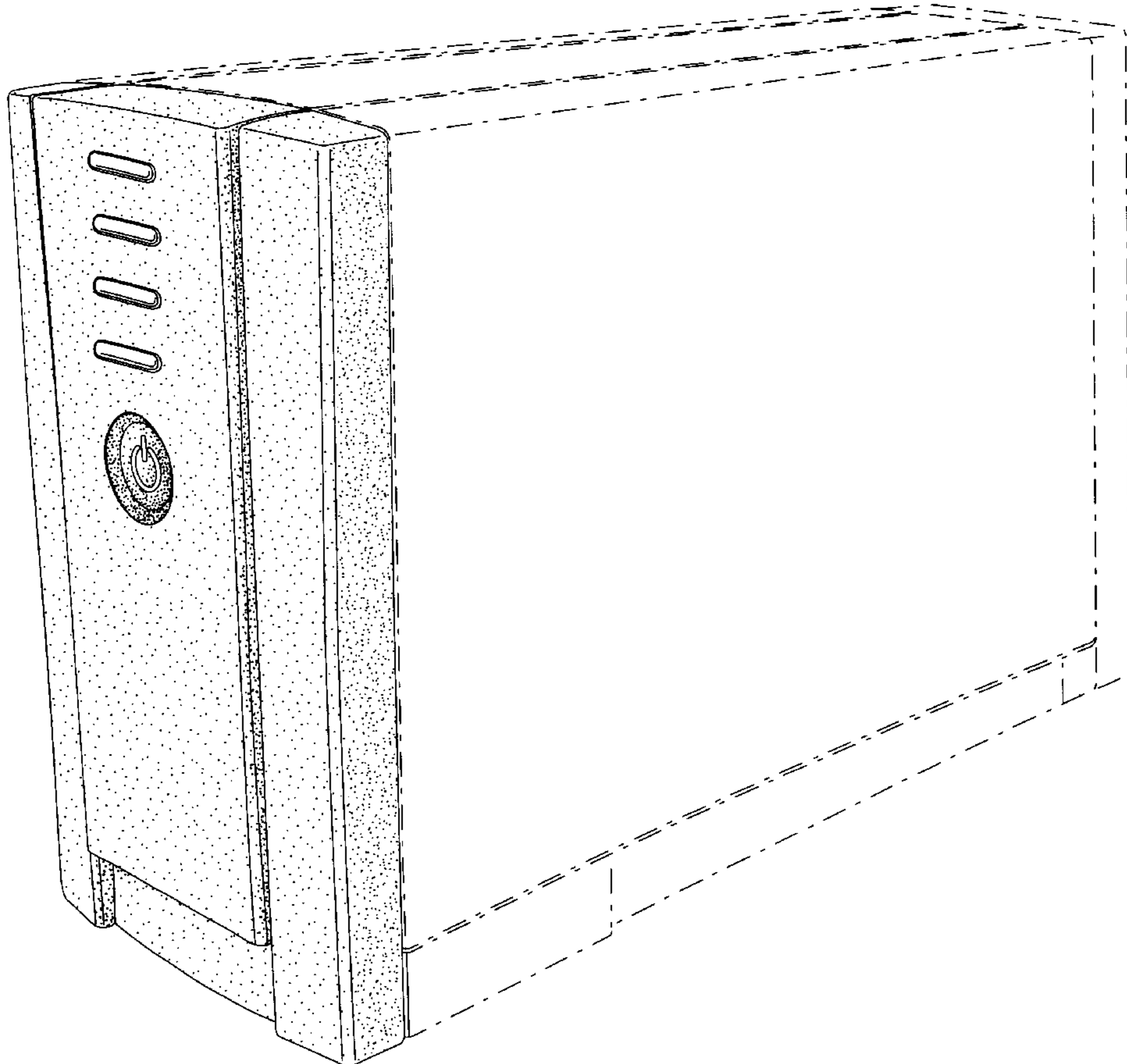
The ornamental design for a display panel, as shown and described.

DESCRIPTION

FIG. 1 is a perspective view showing our new design;
FIG. 2 is a front view thereof;
FIG. 3 is a right side elevational view thereof;
FIG. 4 is a top plan view thereof;
FIG. 5 is a bottom plan view thereof; and,
FIG. 6 is a back view.

The portions of the display panel shown in broken lines are for illustrative purposes only and form no part of the claimed design.

1 Claim, 6 Drawing Sheets



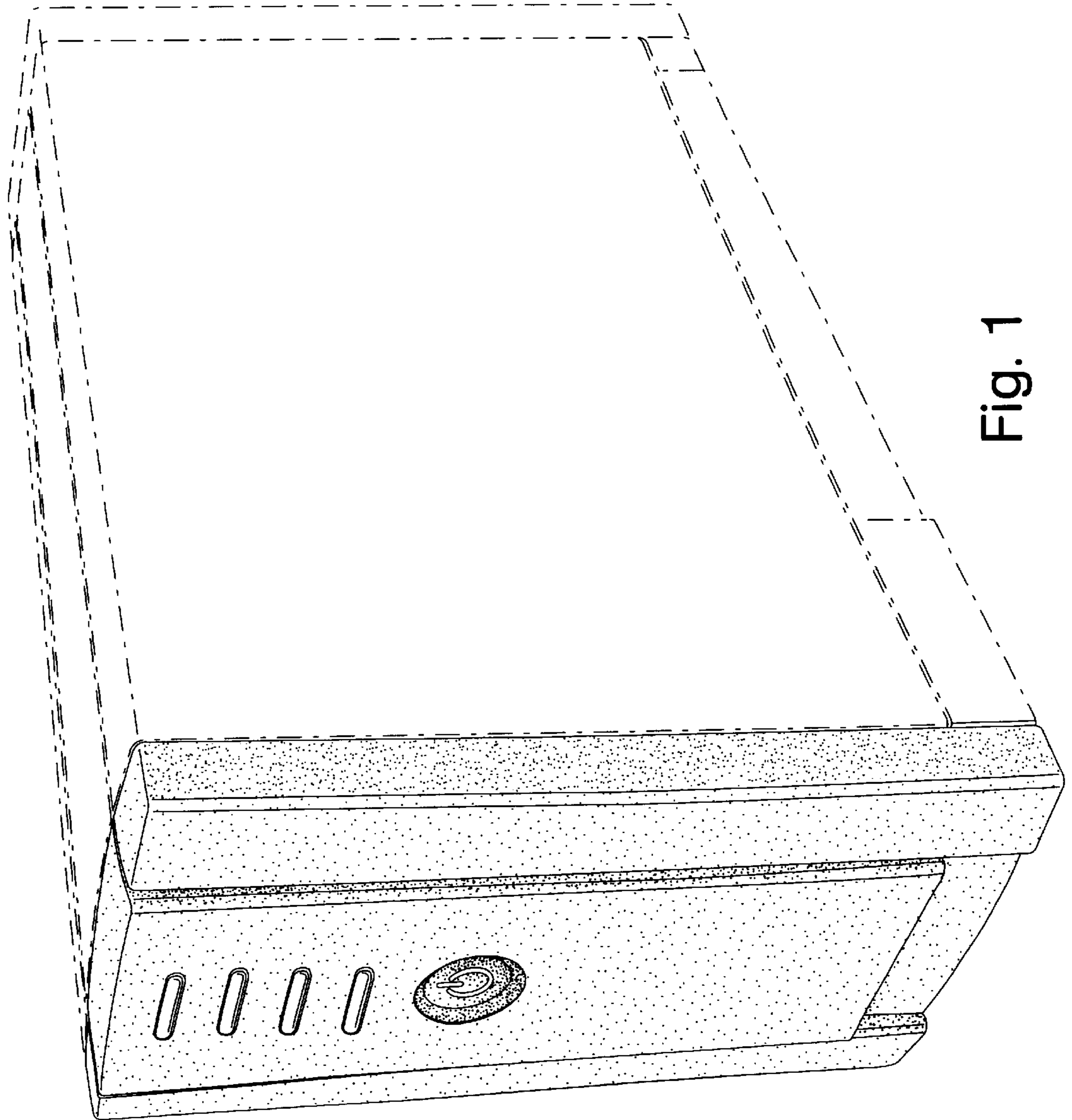


Fig. 1

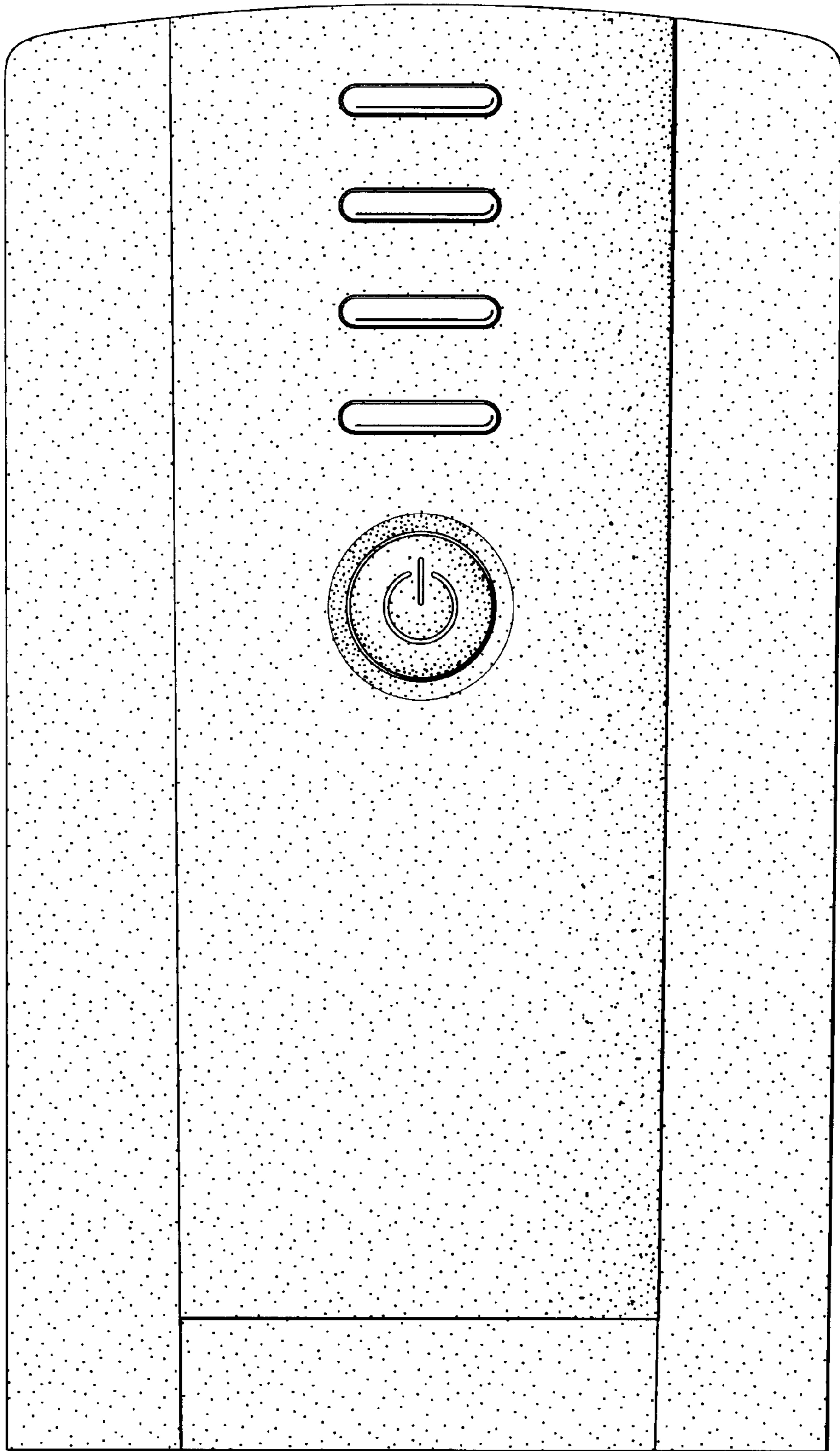


Fig. 2

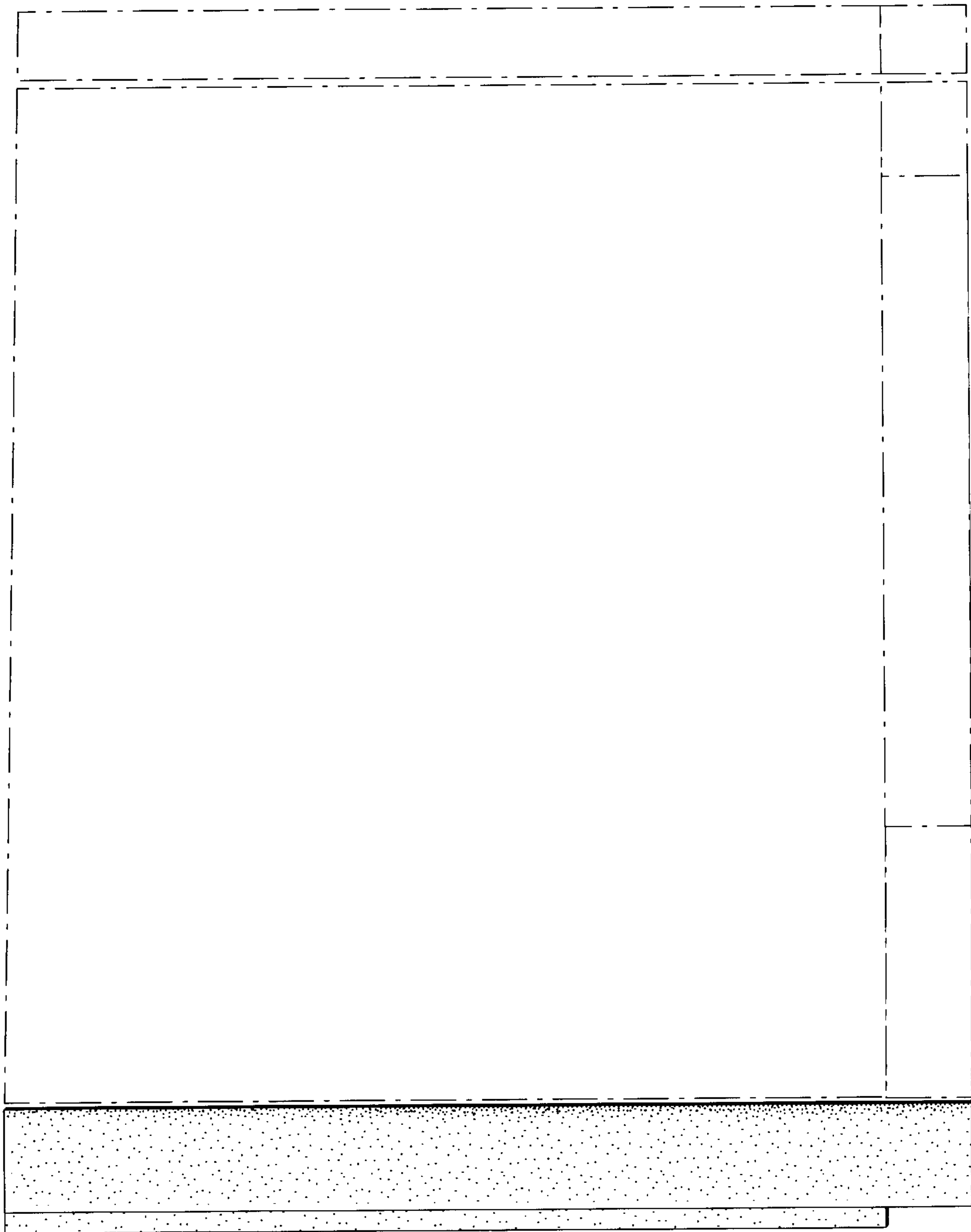


Fig. 3

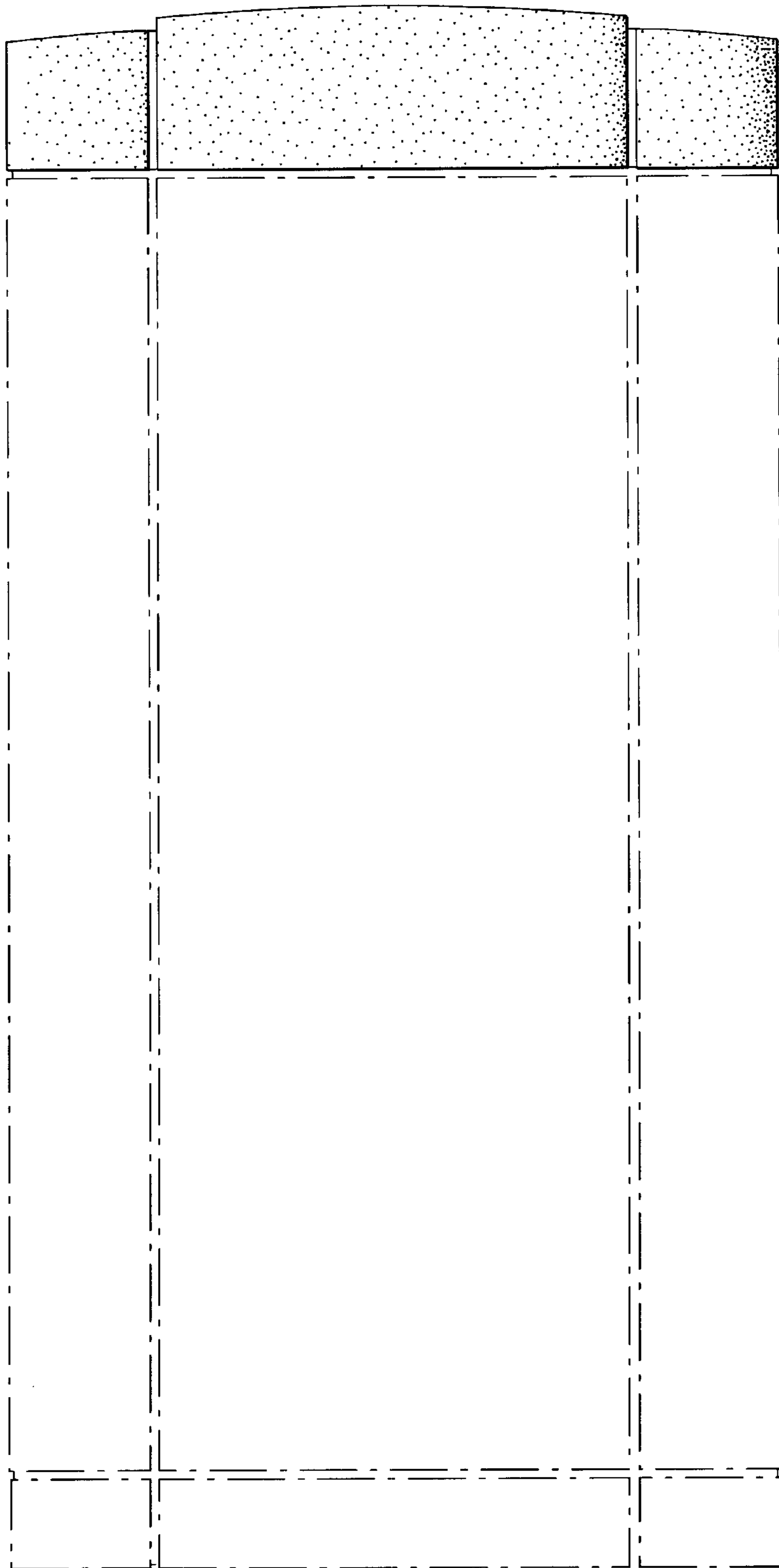


Fig. 4

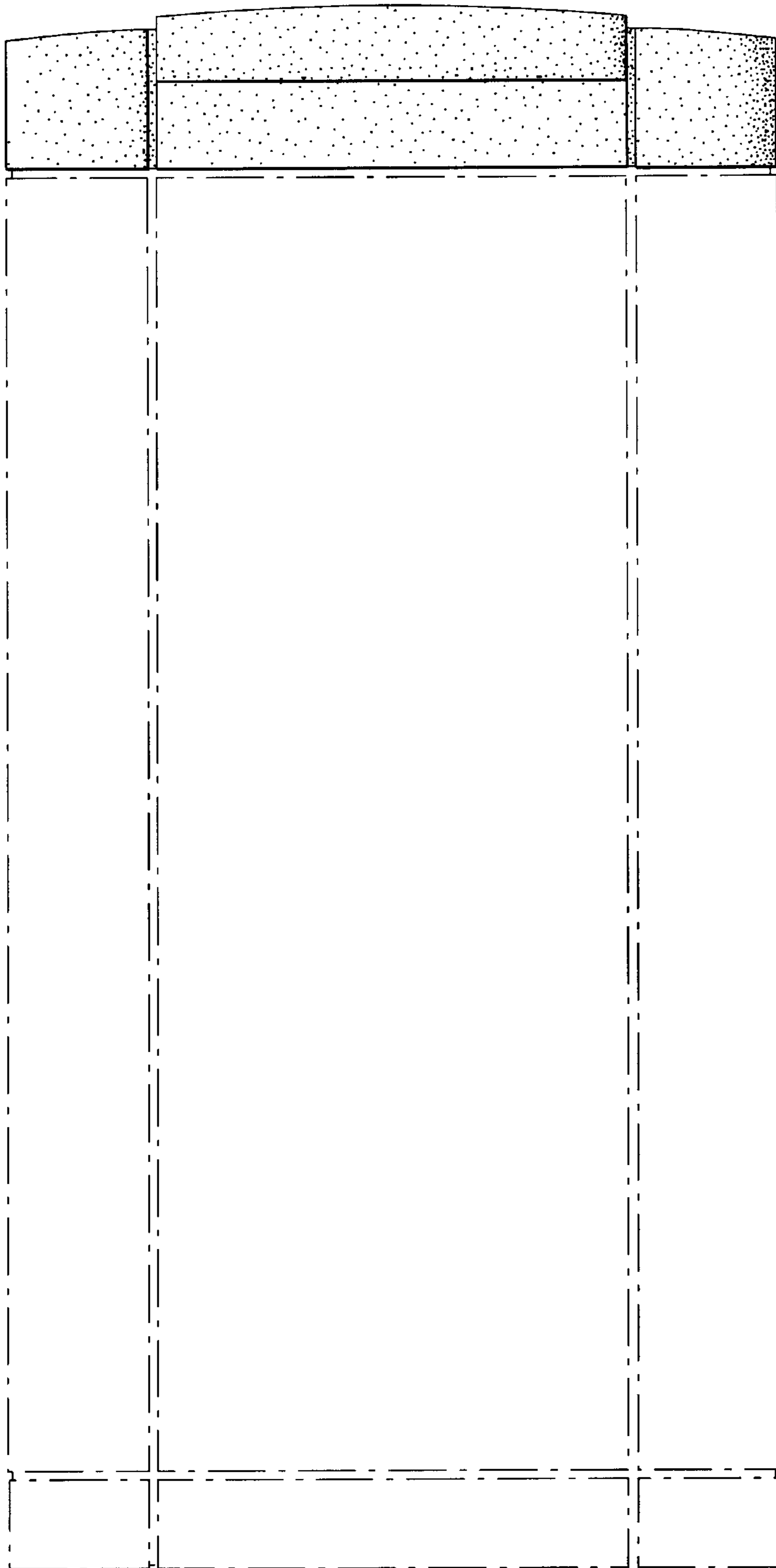


Fig. 5

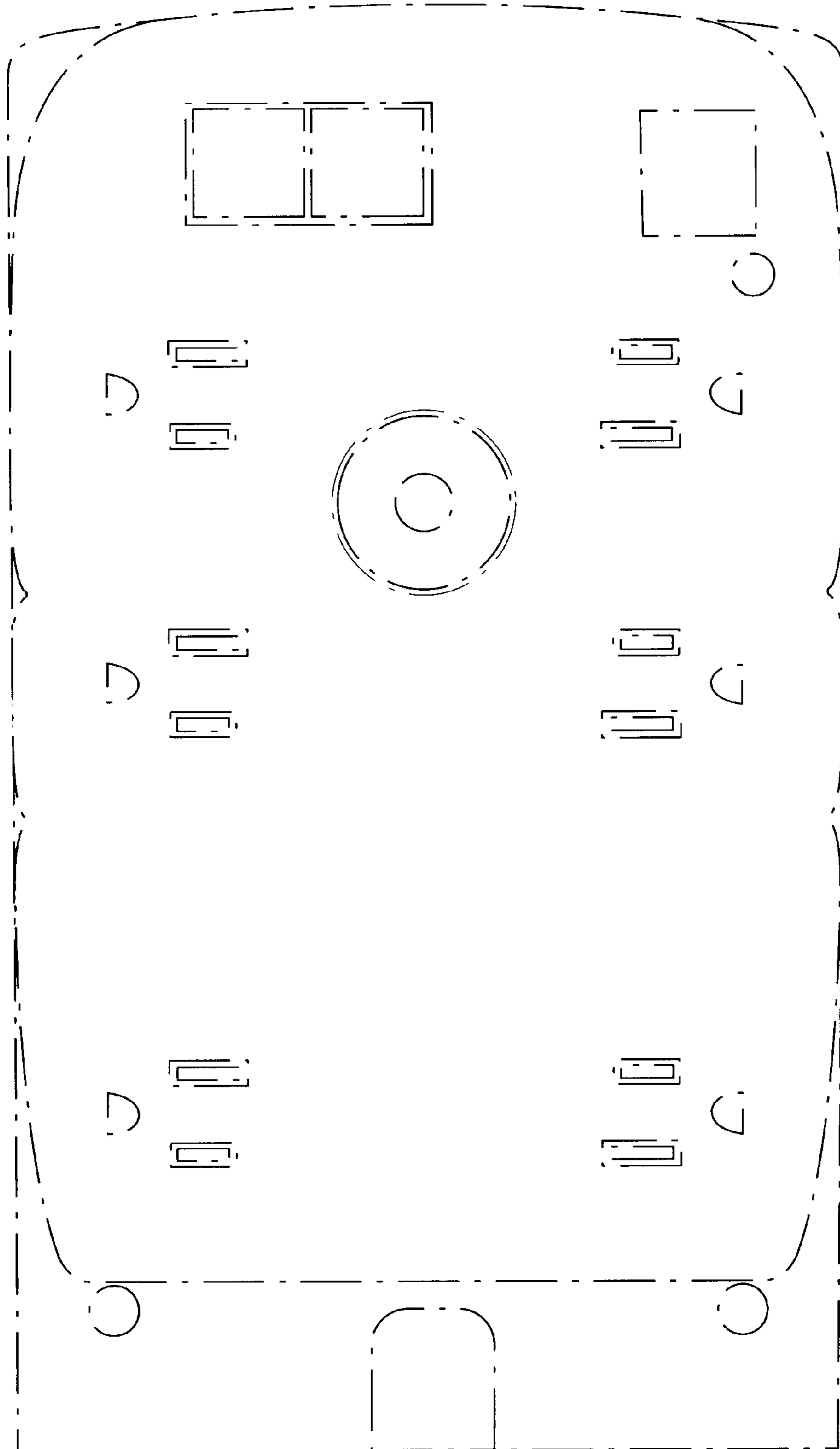


Fig. 6