



US00D463769S

(12) **United States Design Patent**
Chung

(10) **Patent No.:** **US D463,769 S**

(45) **Date of Patent:** **** Oct. 1, 2002**

(54) **VEHICLE WHEEL**

(76) **Inventor:** **Suny Chung**, 4682 Warner Ave., Apt.
213, Huntington Beach, CA (US) 92649

(**) **Term:** **14 Years**

(21) **Appl. No.:** **29/154,457**

(22) **Filed:** **Jan. 23, 2002**

(51) **LOC (7) Cl.** **12-16**

(52) **U.S. Cl.** **D12/211**

(58) **Field of Search** **D12/204-211;**
301/37.1, 64.1, 65

(56) **References Cited**

U.S. PATENT DOCUMENTS

D409,132 S	*	5/1999	Cullen	D12/211
D422,258 S	*	4/2000	Hale, Jr.	D12/211
D428,379 S	*	7/2000	Donikoglu	D12/211
D429,681 S	*	8/2000	Cullen	D12/211
D431,514 S	*	10/2000	Cullen	D12/209

D438,505 S * 3/2001 McMath D12/211

D445,082 S * 7/2001 Chung D12/211

D451,467 S * 12/2001 Chung D12/211

D451,877 S * 12/2001 Lee D12/211

* cited by examiner

Primary Examiner—Stacia Cadmus

(74) *Attorney, Agent, or Firm*—Marcia Devon

(57) **CLAIM**

The ornamental design for a vehicle wheel, as shown and described.

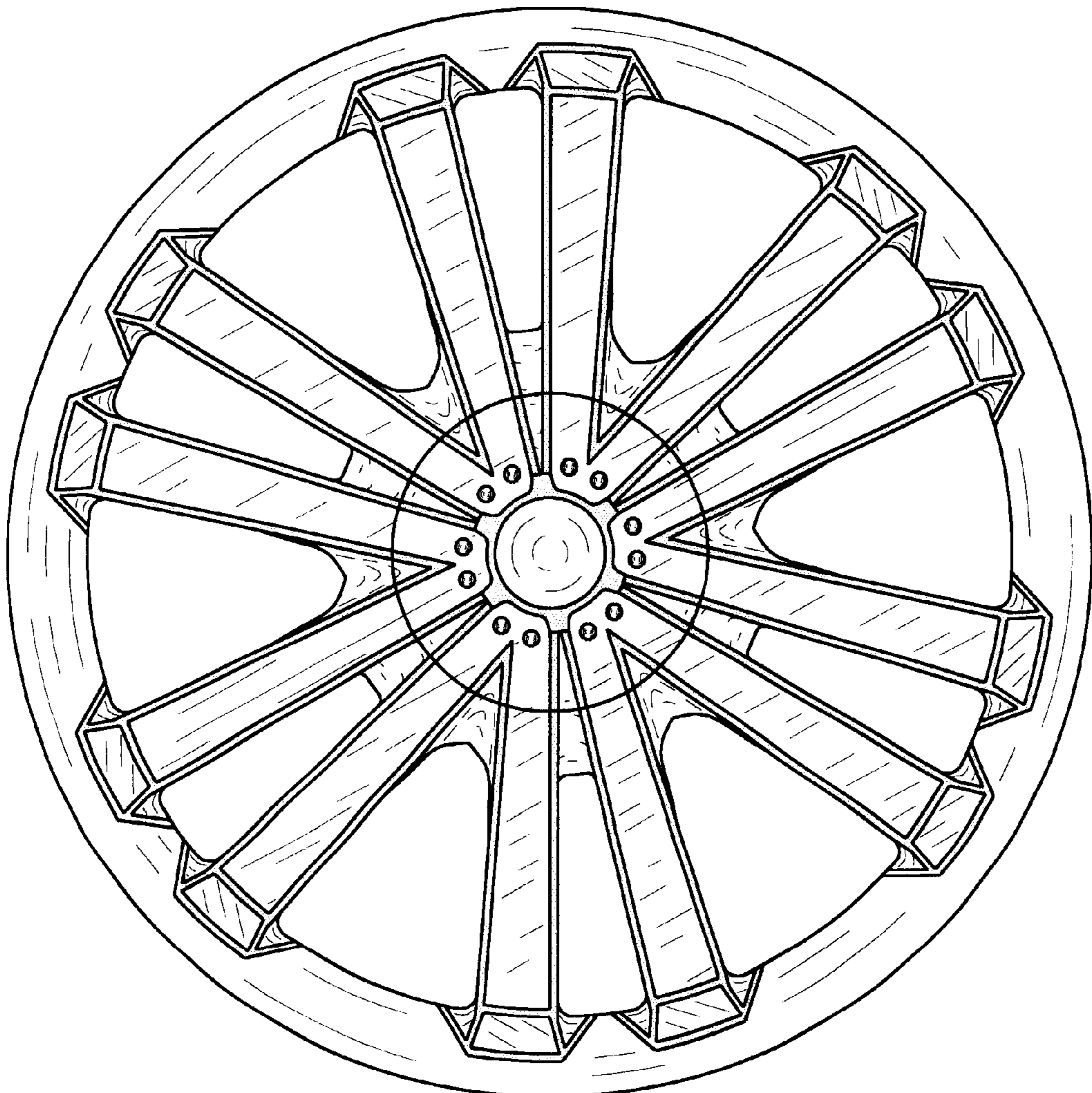
DESCRIPTION

FIG. 1 is a perspective view of vehicle wheel showing my new design;

FIG. 2 is a reduced front view thereof; and,

FIG. 3 is a reduced side view thereof, it being understood that the opposite side is a mirror image thereof.

1 Claim, 2 Drawing Sheets



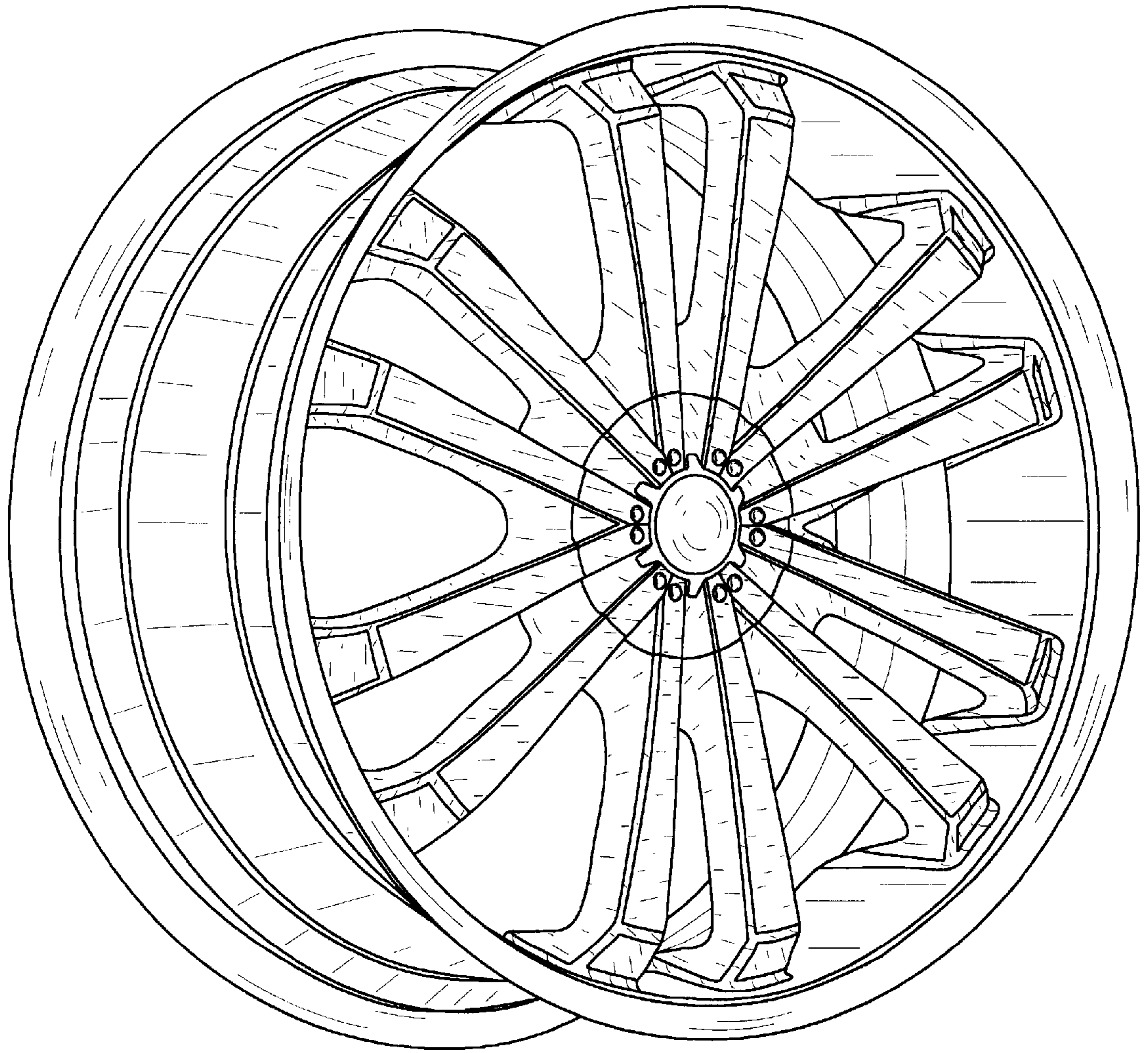


Fig. 1

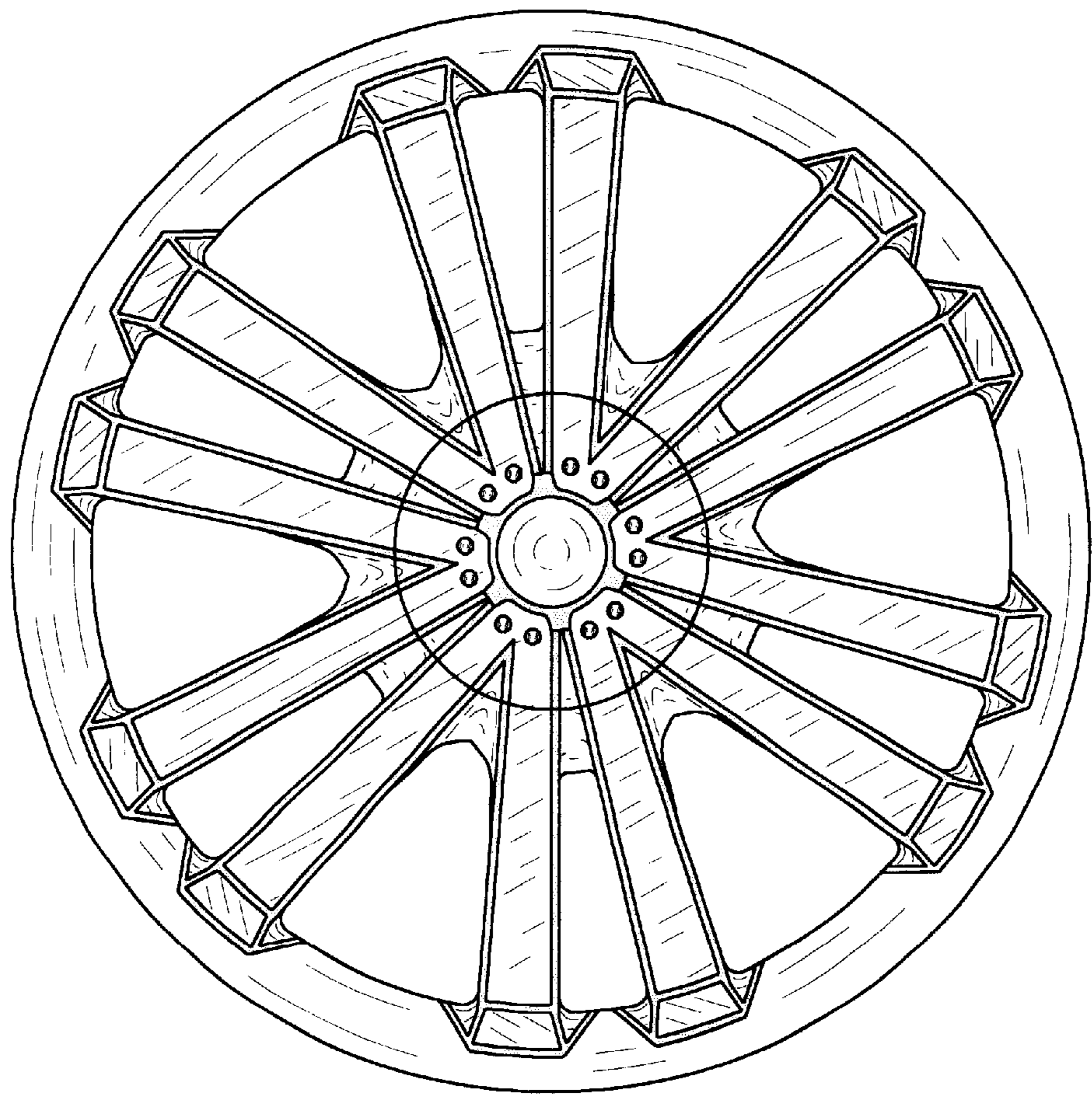


Fig. 2

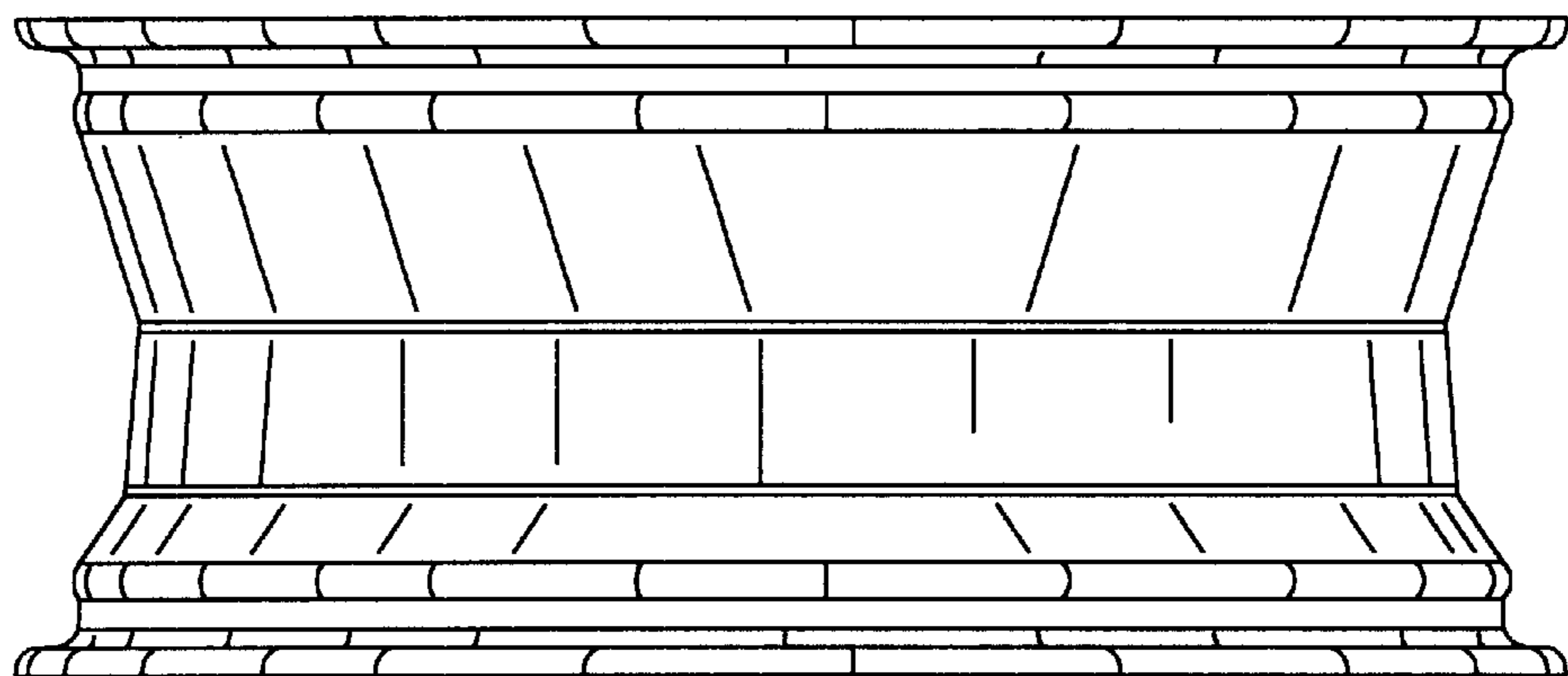


Fig. 3