



US00D463768S

(12) **United States Design Patent**
Chung

(10) **Patent No.:** **US D463,768 S**

(45) **Date of Patent:** **** Oct. 1, 2002**

(54) **VEHICLE WHEEL**

(76) **Inventor:** **Suny Chung**, 4682 Warner Ave. Apt.
213, Huntington Beach, CA (US) 92649

(**) **Term:** **14 Years**

(21) **Appl. No.:** **29/154,454**

(22) **Filed:** **Jan. 23, 2002**

(51) **LOC (7) Cl.** **12-16**

(52) **U.S. Cl.** **D12/211**

(58) **Field of Search** D12/204-211;
301/37.1, 64.1, 65

(56) **References Cited**

U.S. PATENT DOCUMENTS

D397,981 S	*	9/1998	Cullen	D12/209
D407,055 S	*	3/1999	Kelley	D12/209
D430,527 S	*	9/2000	Noriega	D12/211
D432,069 S	*	10/2000	Chung	D12/209
D432,483 S	*	10/2000	Chung	D12/211
D432,972 S	*	10/2000	Chung	D12/209

D433,376 S	*	11/2000	Noriega	D12/211
D438,834 S	*	3/2001	Ong	D12/211
D444,438 S	*	7/2001	Brintouch	D12/209
D444,756 S	*	7/2001	Brintouch	D12/209
D446,492 S	*	8/2001	Brintouch	D12/209
D451,872 S	*	12/2001	Arellano	D12/209

* cited by examiner

Primary Examiner—Stacia Cadmus

(74) *Attorney, Agent, or Firm*—Marcia Devon

(57) **CLAIM**

The ornamental design for a vehicle wheel, as shown and described.

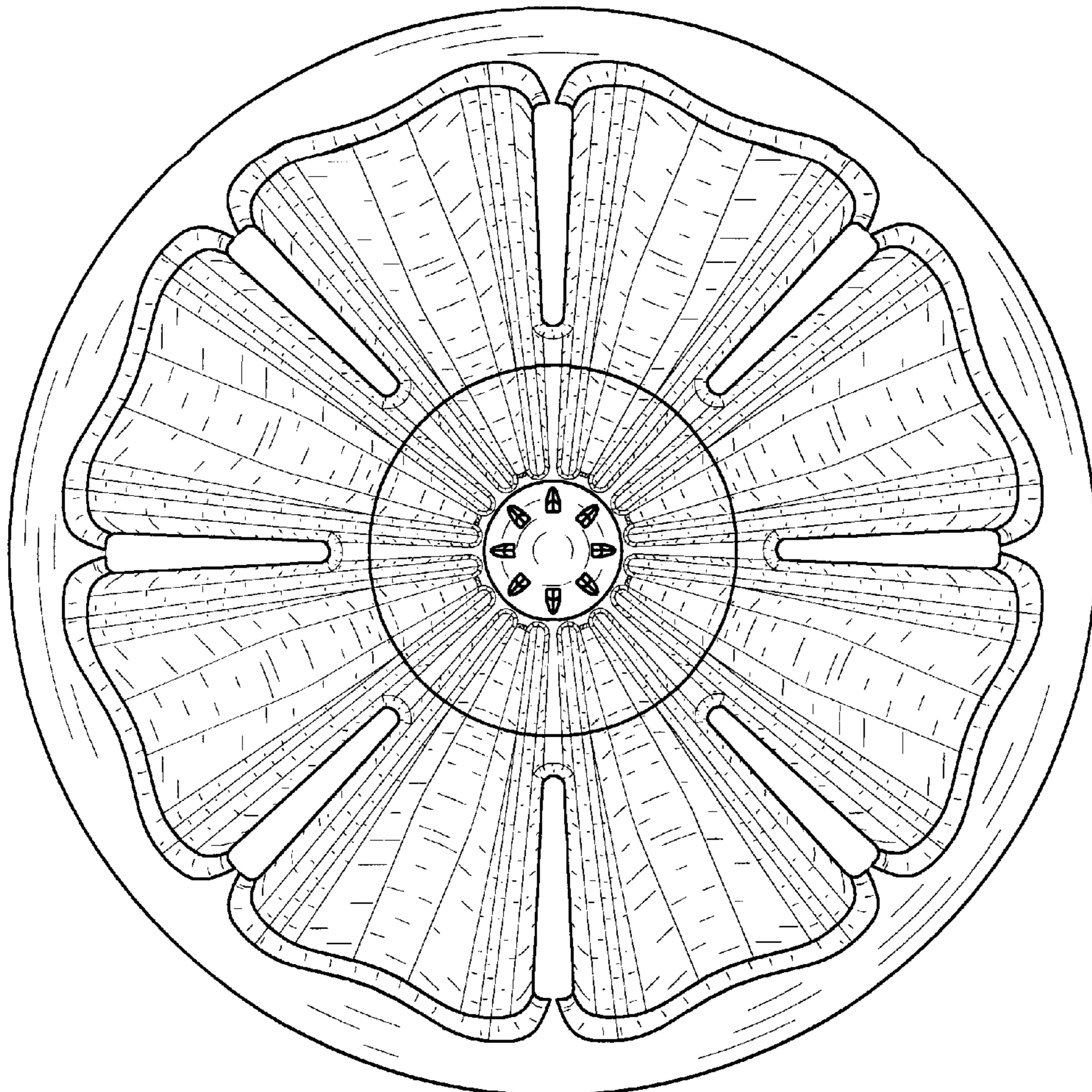
DESCRIPTION

FIG. 1 is a perspective view of vehicle wheel showing my new design;

FIG. 2 is a reduced front view thereof; and,

FIG. 3 is a reduced side view thereof, it being understood that the opposite side is a mirror image thereof.

1 Claim, 2 Drawing Sheets



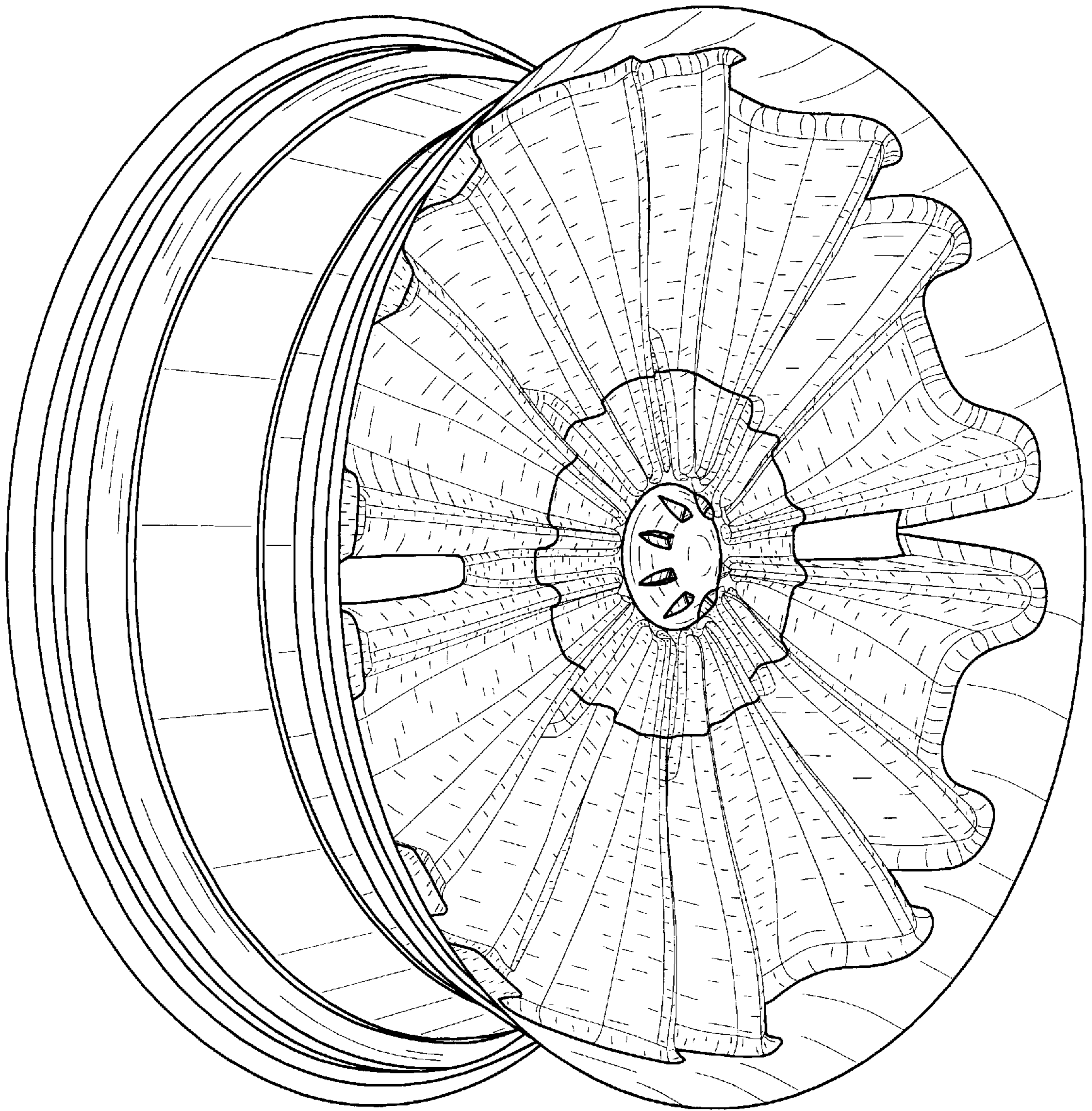


Fig. 1

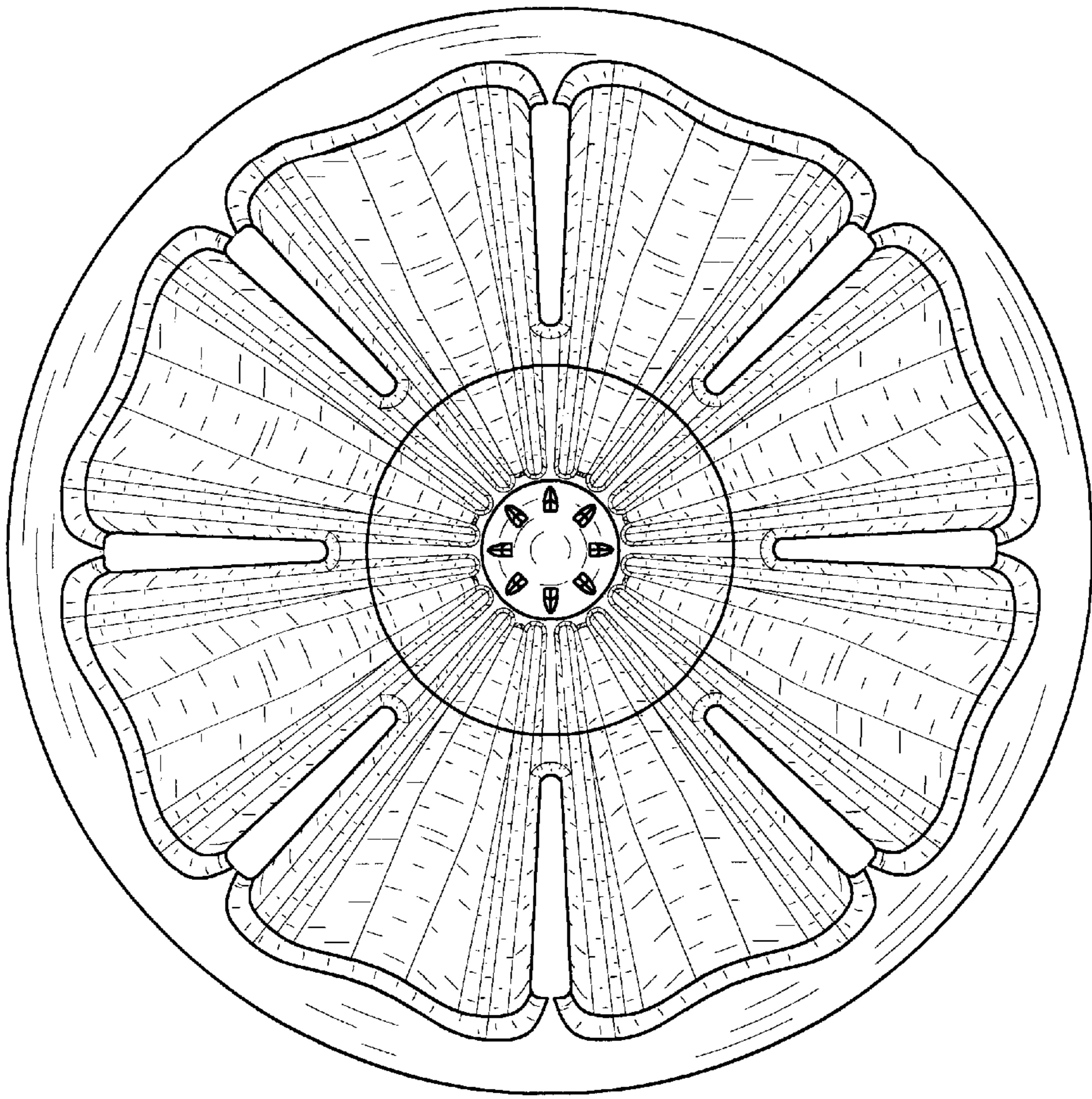


Fig. 2

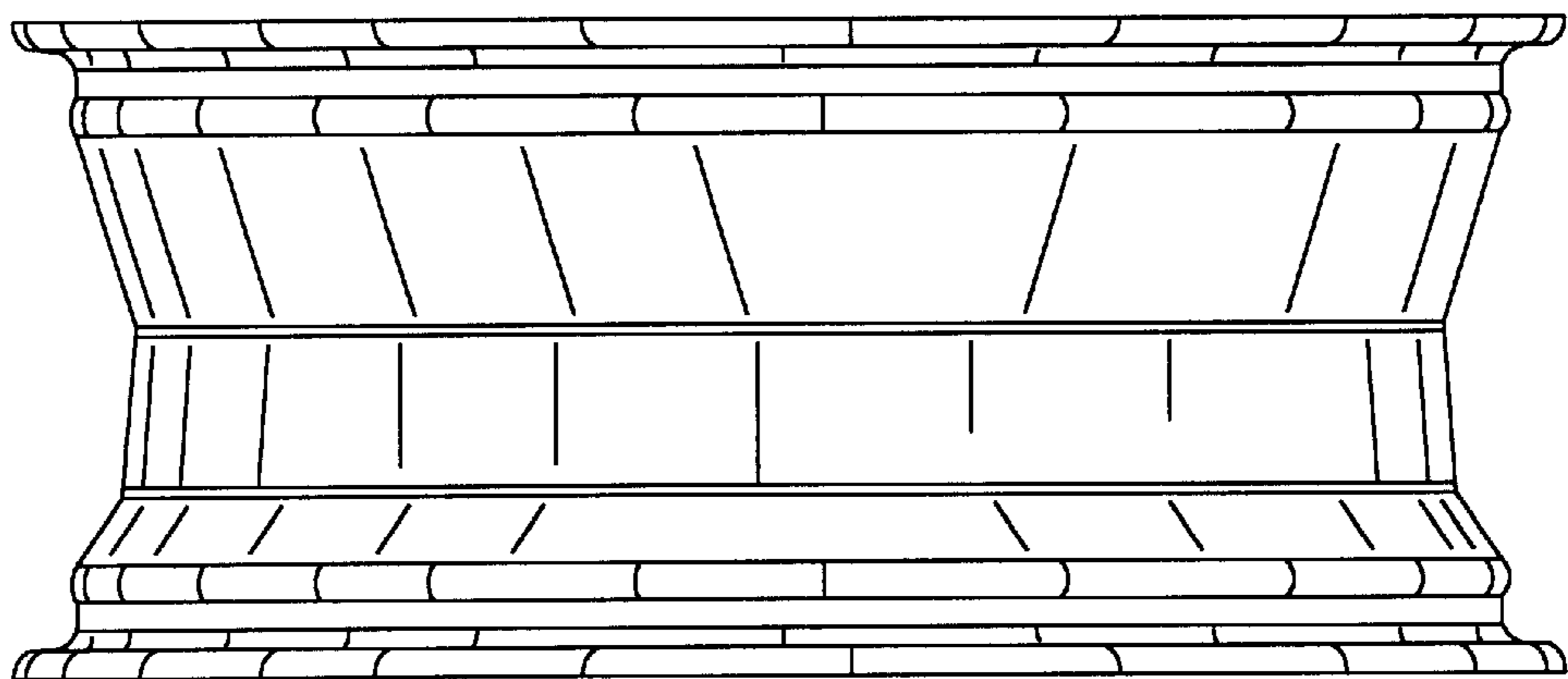


Fig. 3