



US00D463767S

(12) **United States Design Patent**
Sehgal et al.

(10) **Patent No.:** **US D463,767 S**

(45) **Date of Patent:** **** Oct. 1, 2002**

(54) **VEHICLE WITH RAISED LIFTGLASS ASSEMBLY**

D446,167 S * 8/2001 Faurote et al. D12/91
D447,093 S * 8/2001 Faurote et al. D12/90

(75) Inventors: **Rakesh Sehgal**, Troy, MI (US); **Lynn David Dadeppo**, Bloomfield Hills, MI (US); **Pasquale Lalama**, Sterling Heights, MI (US); **Phillip Joseph Linson**, Commerce Township, MI (US); **David Christopher Mahoney**, Orchard Lake, MI (US); **A. Michael Paiva**, Novi, MI (US)

* cited by examiner

Primary Examiner—Melody N. Brown
(74) *Attorney, Agent, or Firm*—Gigette M. Bejin

(57) **CLAIM**

The ornamental design for a vehicle with raised liftglass assembly, as shown and described.

DESCRIPTION

FIG. 1 is a rear-quarter view in perspective of a motor vehicle that includes a raised liftglass assembly for closing a rear body opening that extends below the vehicle beltline as defined by the lowermost edges of the vehicle's side windows;

FIG. 2 is a top plan view of the vehicle with raised liftglass assembly of FIG. 1;

FIG. 3 is a rear elevational view of the vehicle of FIG. 1; FIG. 4 is a side elevational view of the vehicle of FIG. 1 (the other side elevational view being a mirror image thereof); FIG. 5 is a bottom view of the vehicle liftglass assembly of FIG. 1; and,

FIG. 6 is an interior view of the vehicle of FIG. 1, looking out of the rear body opening.

Broken lines are used in the Drawings to denote certain subject matter, for example, environmental structure or boundaries, that form no part of the design to be patented.

(73) Assignee: **Ford Global Technologies, Inc.**, Dearborn, MI (US)

(**) Term: **14 Years**

(21) Appl. No.: **29/145,408**

(22) Filed: **Jul. 23, 2001**

(51) **LOC (7) Cl.** **12-16**

(52) **U.S. Cl.** **D12/196**

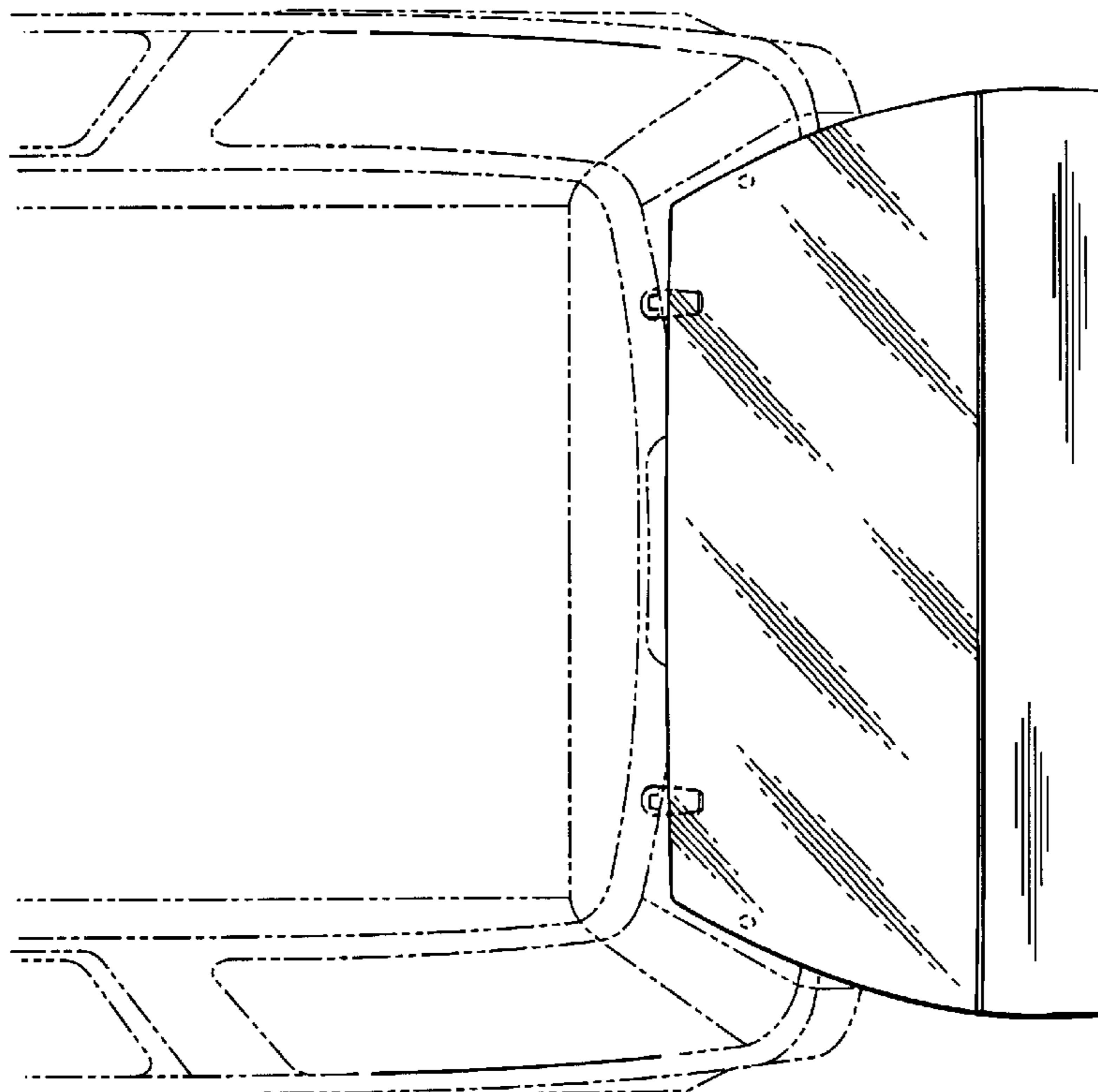
(58) **Field of Search** D12/196, 90, 91;
296/185

(56) **References Cited**

U.S. PATENT DOCUMENTS

D421,949 S * 3/2000 Shimazu D12/196
D425,003 S * 5/2000 Gabath D12/196
D441,691 S * 5/2001 Pfeiffer et al. D12/90
D445,747 S * 7/2001 Martin et al. D12/196

1 Claim, 4 Drawing Sheets



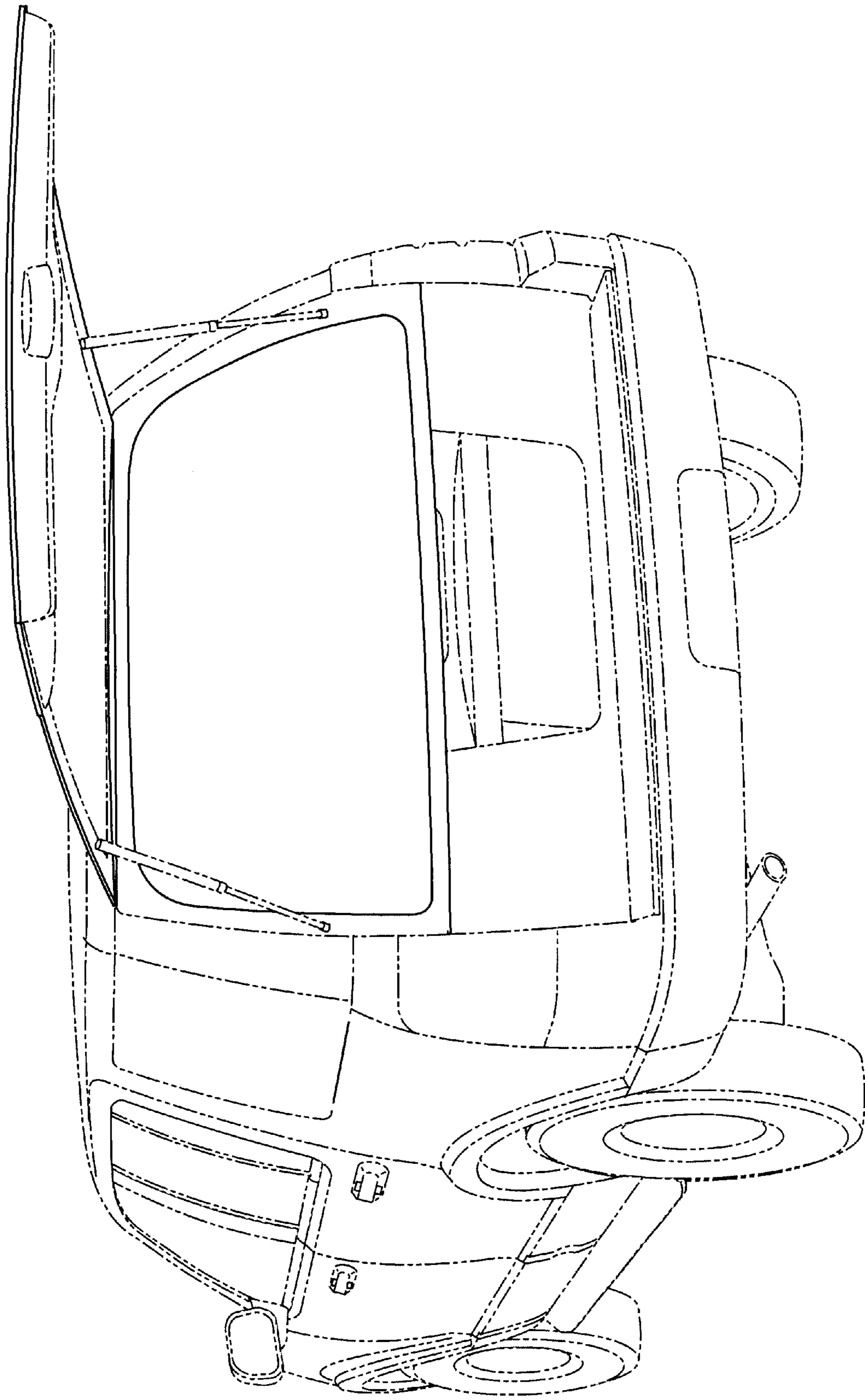


Fig. 1

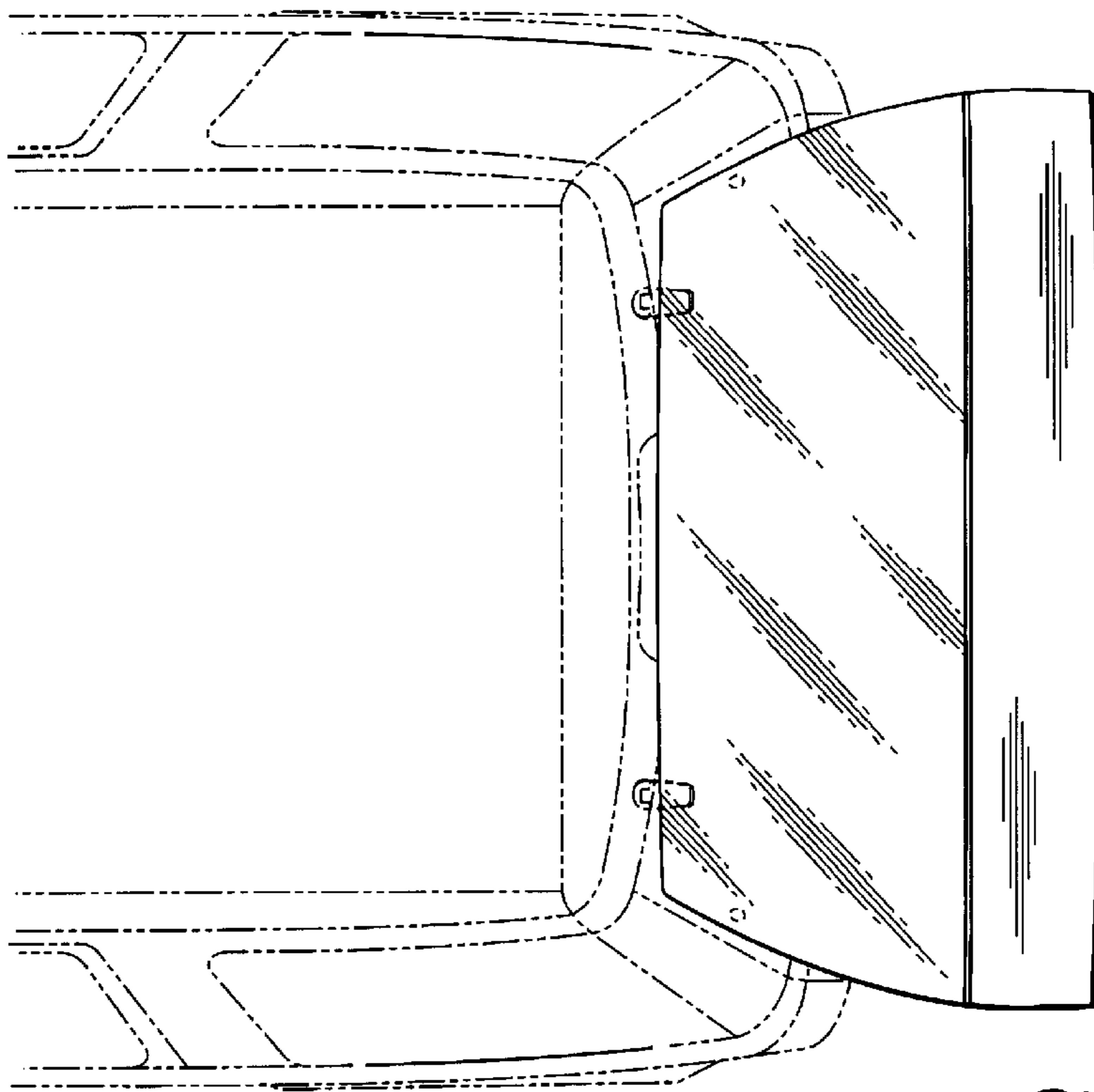


Fig. 2

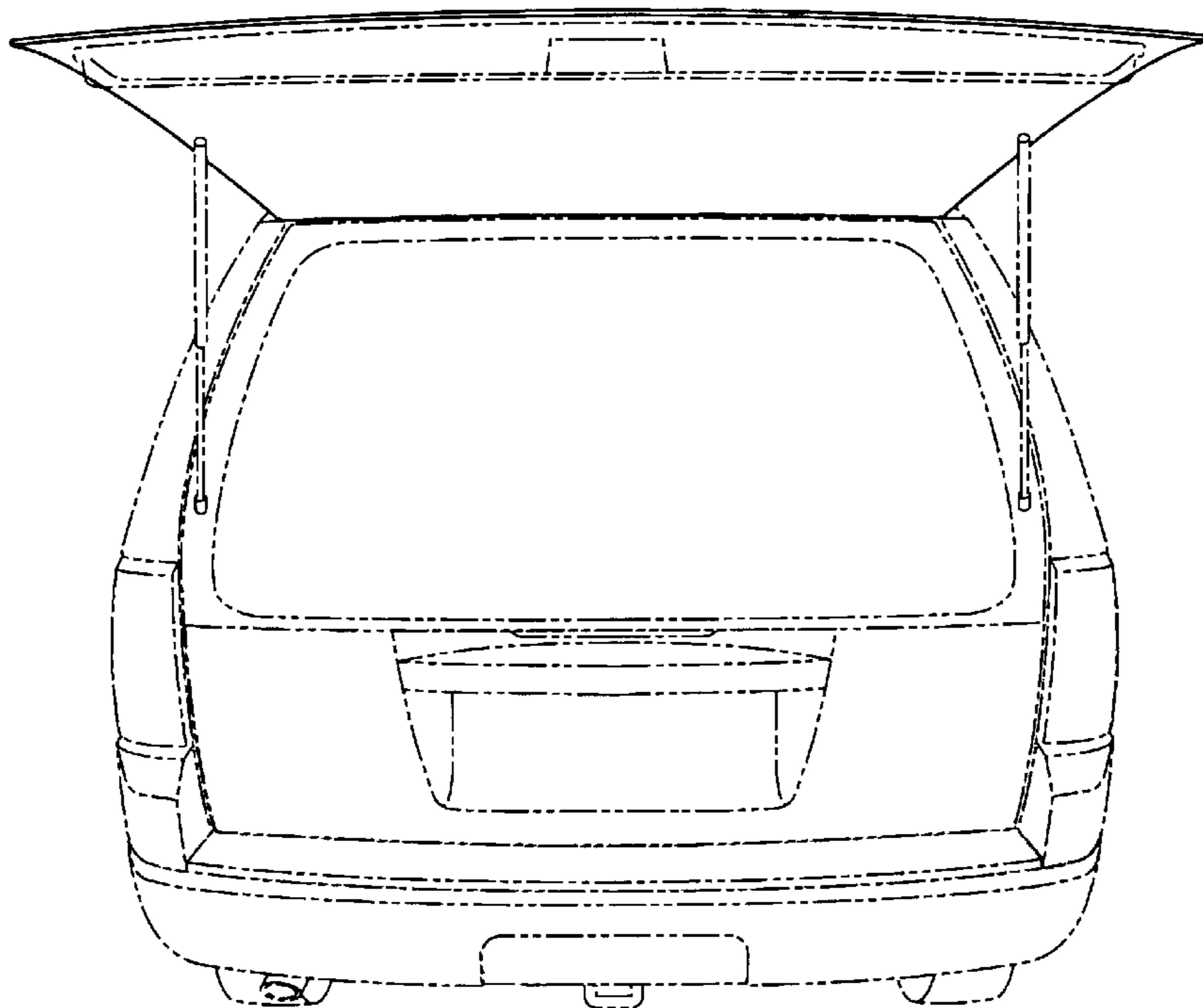


Fig. 3

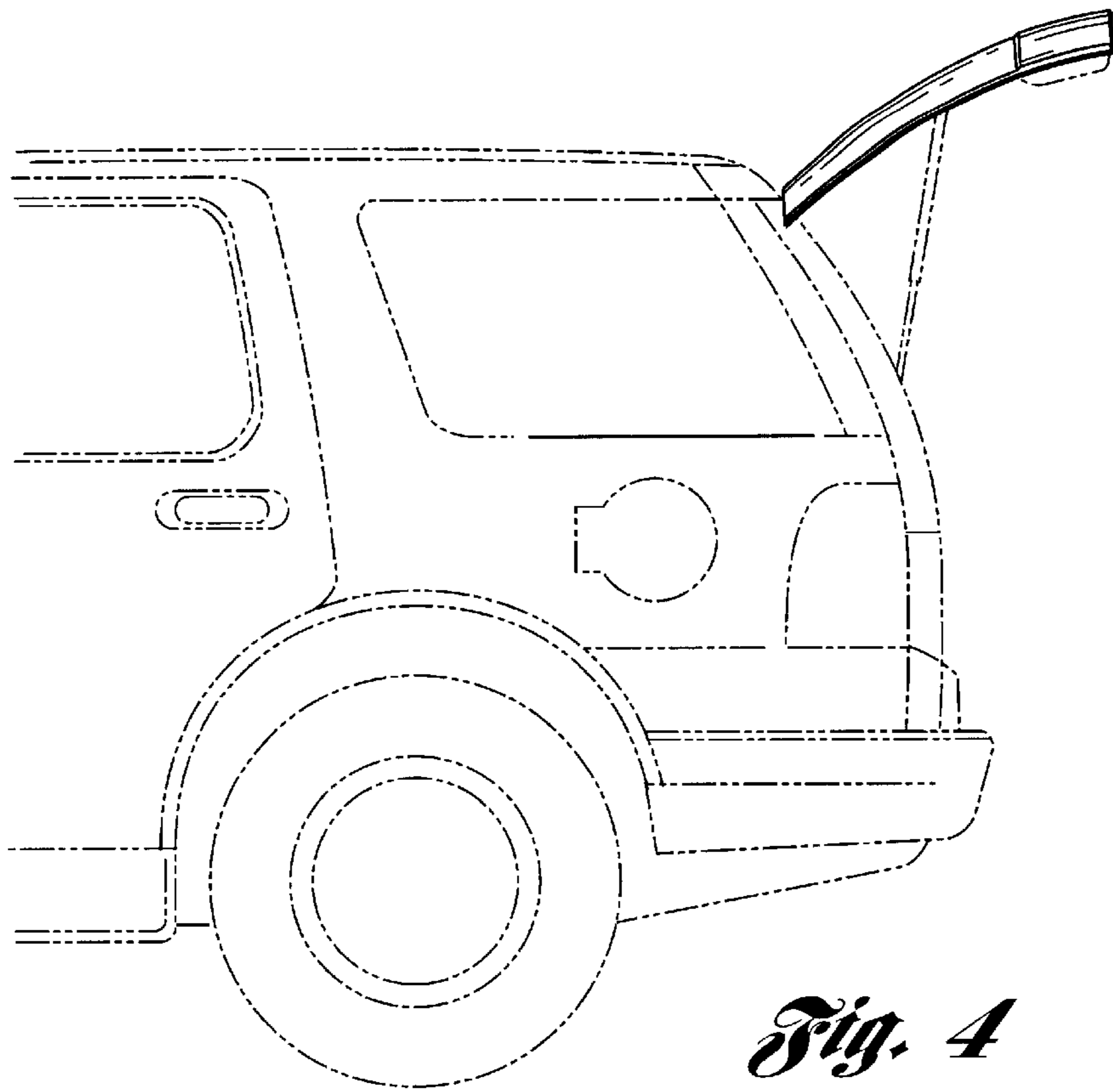


Fig. 4

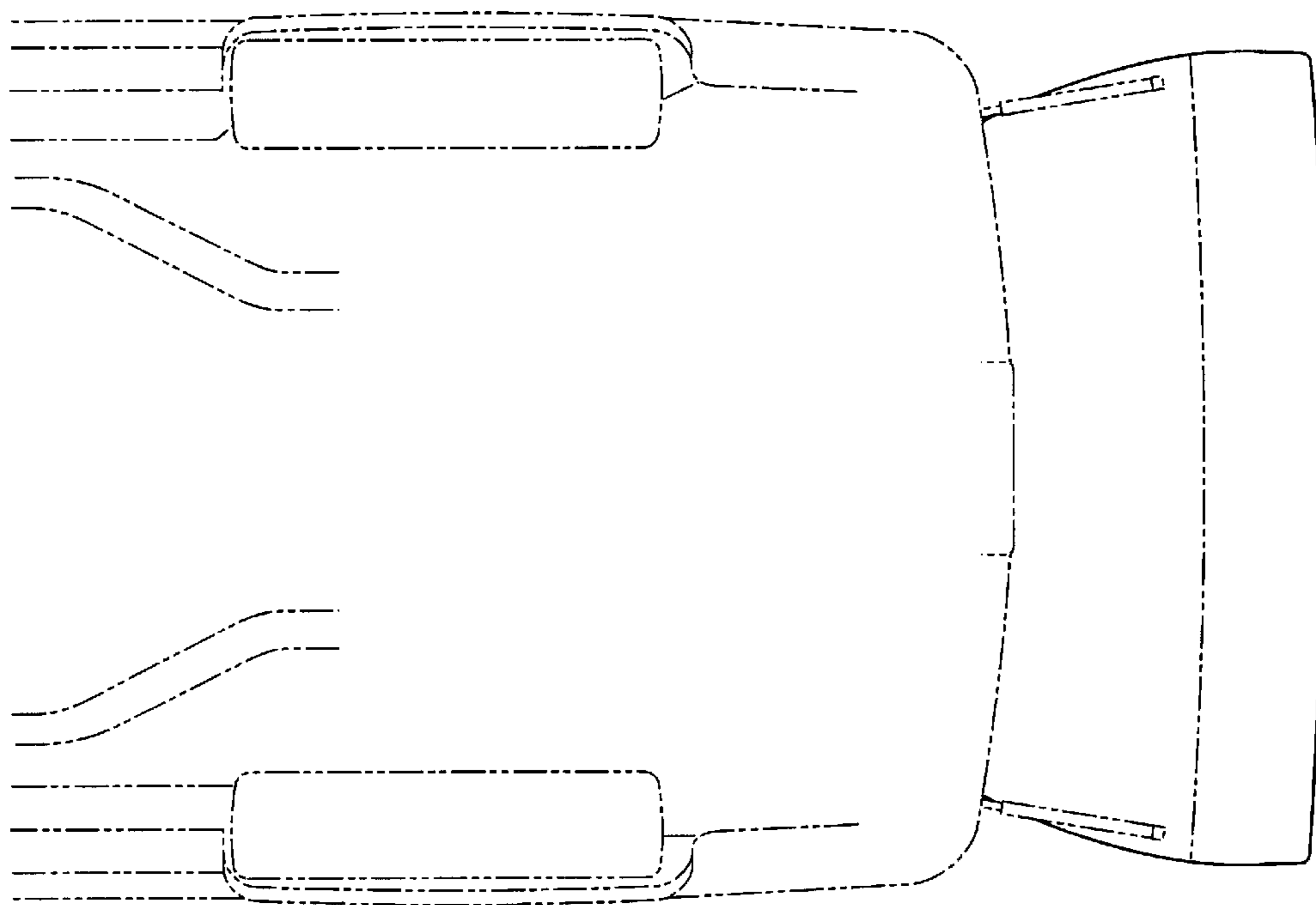


Fig. 5

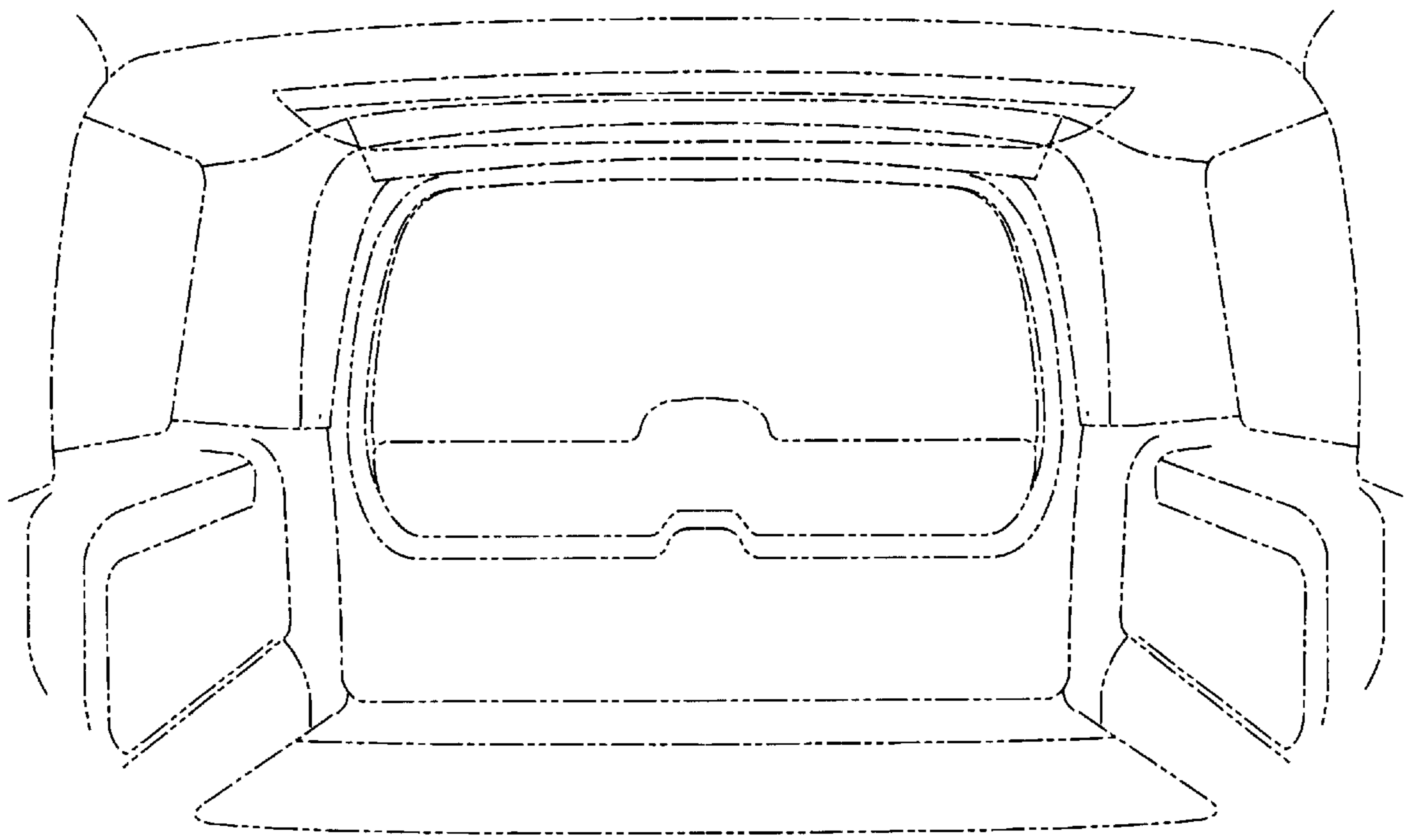


Fig. 6